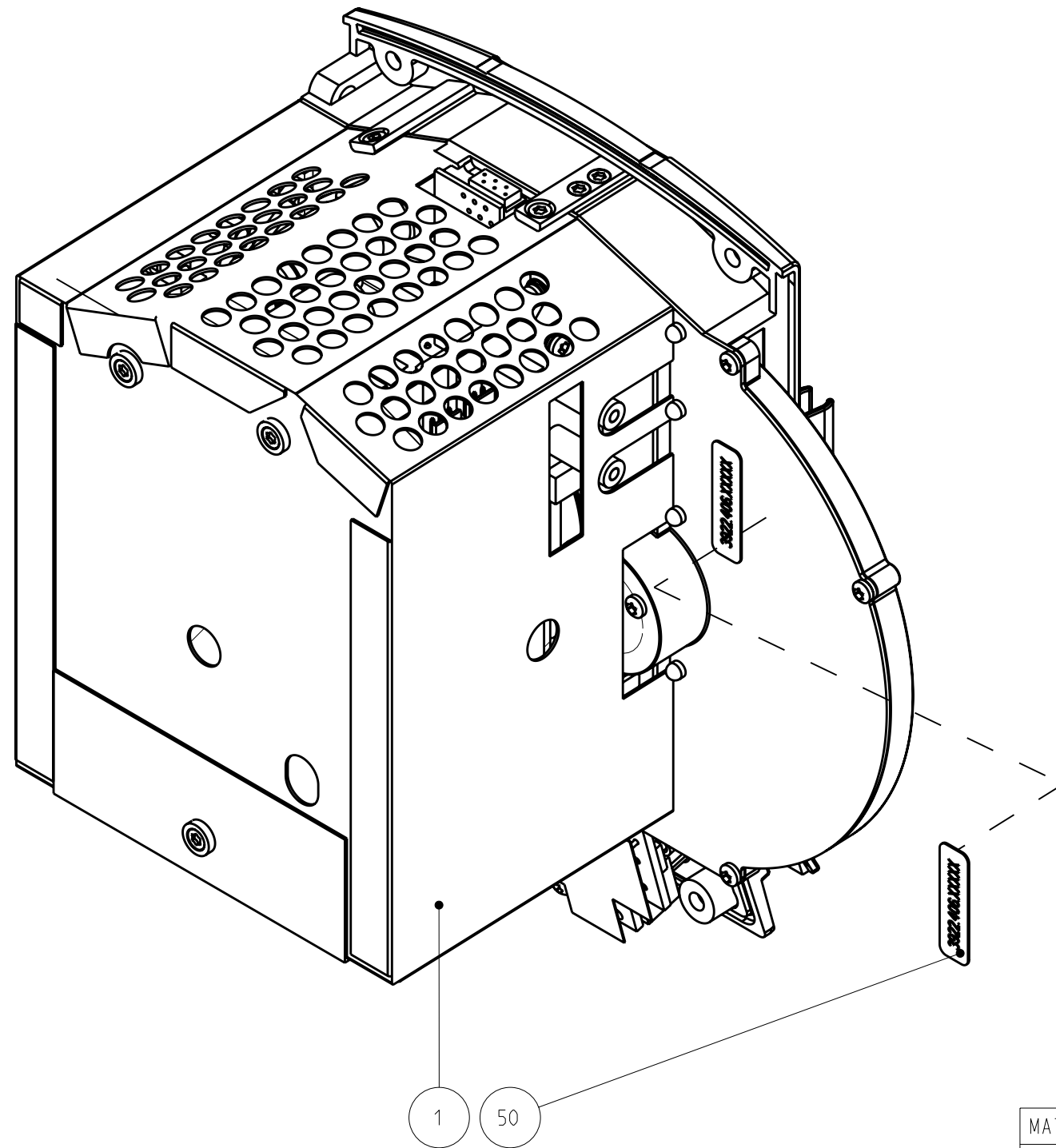


THIS DOCUMENT IS THE PROPERTY OF GRASS VALLEY
IT SHALL NOT BE REPRODUCED NOR TRANSMITTED TO A THIRD PARTY WITHOUT PRIOR WRITTEN
CONSENT OF THE COMPANY



ALSO VALID FOR:
3922 407 5442
3922 407 5517

Rev	Name	Date
1	VH	2008-08-20

MATERIAL:	SEE PARTSLIST				SCALE
TREATMENT:				1:1
FINISH:				UNIT
DRAWN BY:	DATE:	GENERAL ROUGHNESS:	TOLERANCES UNLESS OTHERWISE STATED:		mm
J. DAM	2006-12-17	Ra 3.2 µm	DIMENSION: ±0,2 ANGLE: ±1°		
TITLE:	FRONT 8000 STANDARD				
	DOCUMENT NUMBER		FORMAT	SHEET	
	3922 407 4992		A3	1/1	
	RELEASE LEVEL:		110-01		