

TTV 1707

3 CCD Camera
+ DT500

Maintenance Manual

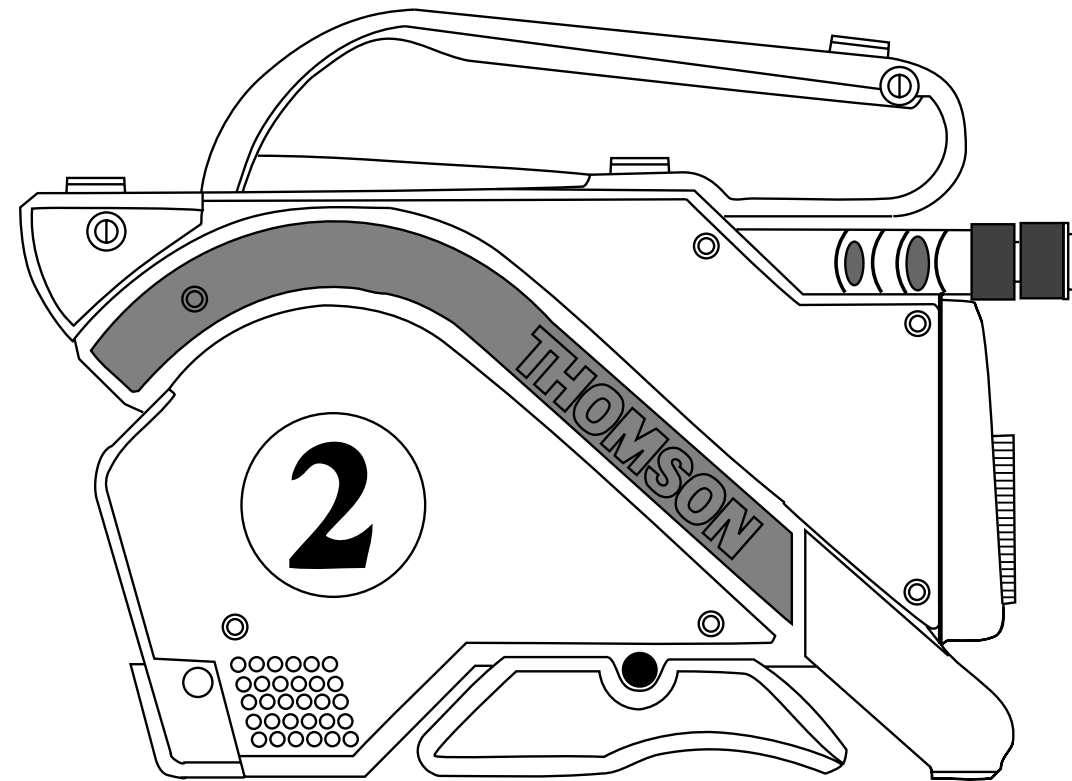
Volume 2

B1707M00MC

TTV 1707

3 CCD Camera + DT 500

THOMSON MULTI
MEDIA
BROADCAST SOLUTIONS



Volume 2

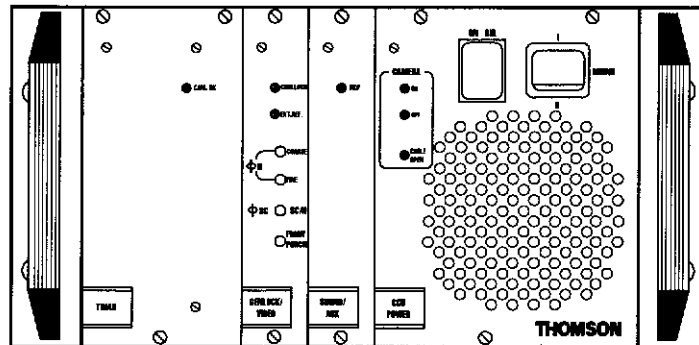
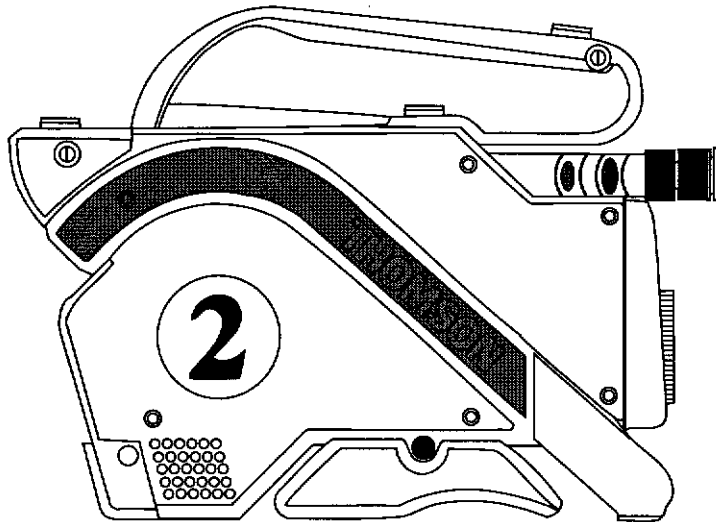
B1707M00MC

Maintenance Manual

3 CCD CAMERA

TTV1707/CCU DT500

MAINTENANCE



THOMSON

Les descriptions et caractéristiques figurant sur ce document sont des données typiques moyennes non contractuelles. Soucieux de la qualité de nos produits, nous nous réservons le droit d'effectuer, sans préavis, toute modification ou amélioration.

Descriptions and specifications appearing in this document are typical measurements. They aren't binding. Mindful of the quality of our products, we reserve the right to change performance data without notice.

ATTENTION

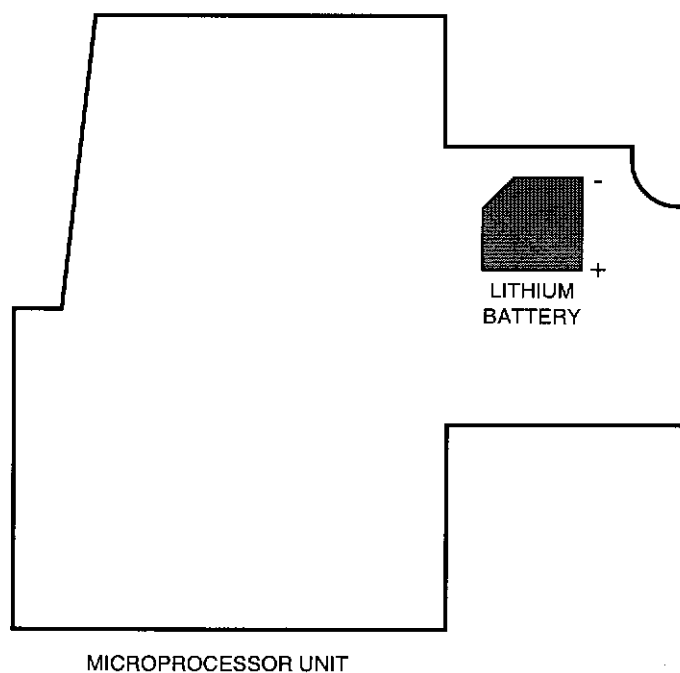
La carte "MPU" de la caméra contient une pile LITHIUM. Il y a danger d'explosion en cas de remplacement incorrect de la pile.

Remplacer uniquement par une pile de même type ou d'un type équivalent recommandé par le constructeur.

WARNING

The camera "MPU" board is fitted with a LITHIUM battery. There is a danger of explosion should the battery be replaced by an incorrect type.

Only replace by a battery of identical type or an approved equivalent.



COMPOSITION DE LA NOTICE / HANDBOOK CONTENTS

VOLUME 1

RÉGLAGES CAMÉRA 1707 / CCU DT500 / VISEURS 4CM - 14 CM

1707CAMERA / DT500 CCU / 4CM - 14CM VIEWFINDERS ADJUSTMENTS

SYNOPTIQUES CAMÉRA 1707 / CCU DT500

1707 CAMERA / DT500 CCU BLOCK DIAGRAMS

VOLUME 2

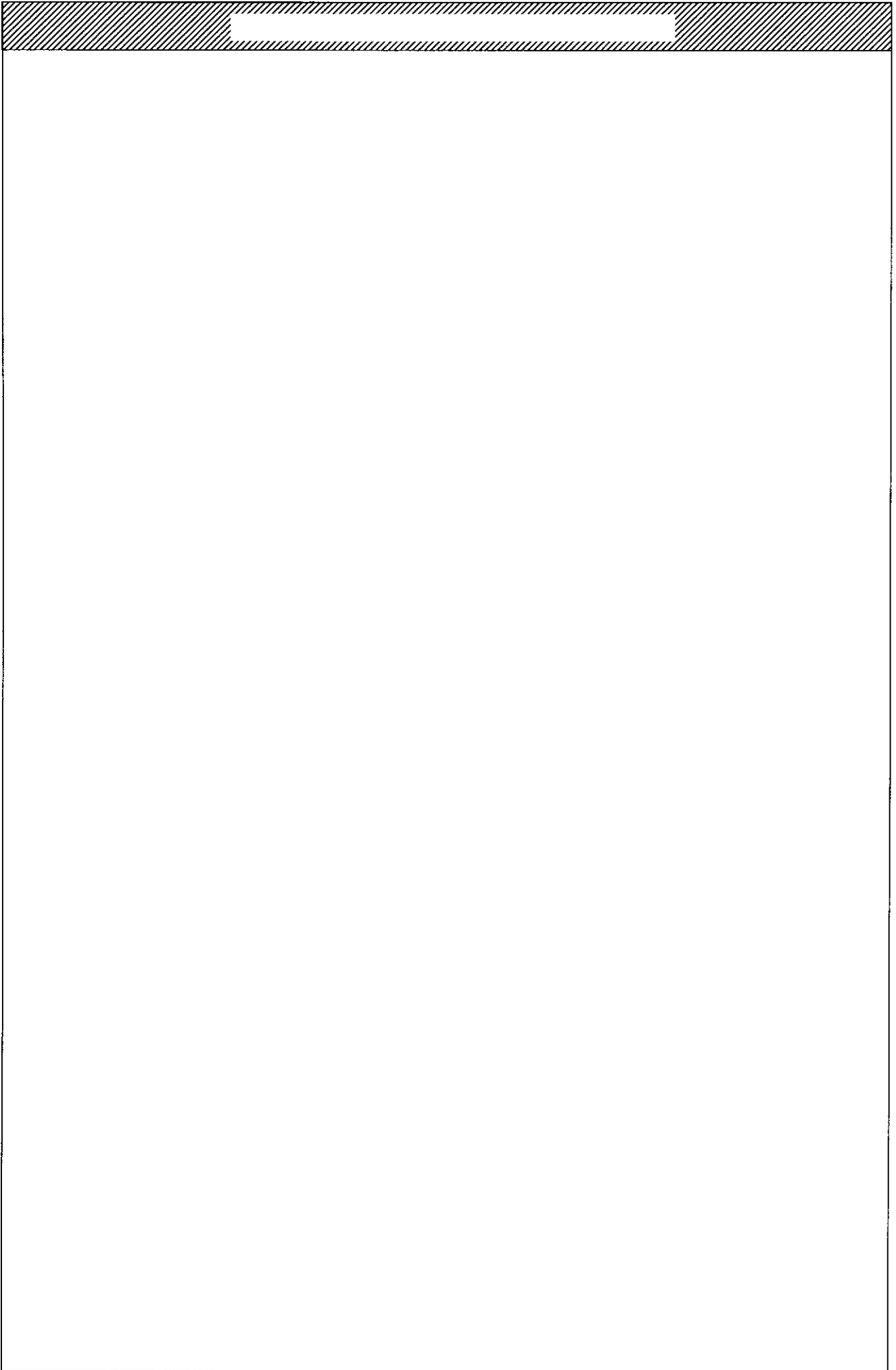
**SCHÉMAS ÉLECTRIQUES ET NOMENCLATURES
CAMÉRA**

**CIRCUITS DIAGRAMS AND PARTS LISTS
CAMERA**

VOLUME 3

**SCHÉMAS ÉLECTRIQUES ET NOMENCLATURES
CCU DT500 - VISEURS 4CM, 14CM - CONVERTISSEUR DC/DC EXTERNE**

**CIRCUITS DIAGRAMS AND PART LISTS
CCU DT500 - 4CM, 14CM VIEWFINDERS - EXTERNAL DC/DC CONVERTER**



CAMÉRA

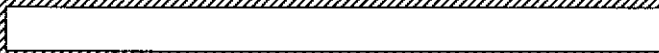
CAMERA

SCHÉMAS ET IMPLANTATIONS

SCHEMATIC - LAY OUT DIAGRAMS

NOMENCLATURES ELECTRIQUES/ MECANIKUES

ELECTRICAL COMPONENTS / MECHANICAL PART LIST



B1707E06AB

TTV 1707 IT 4/3 PAL ELEC

B1707E06AB	PE G	TTV 1707 IT 4/3 PAL ELEC
39965513	P 1	TRIPOD ATTACHMENT 1657
39965510	R 1	SEMELLE
46152900AA	UF F 1	BLOC TRAITEMENT 1707 PAL
16518744AA	NT F 1	CARP PANEL TRAITEMENT 1707
16518743AA	P 1	CIUP PANEL TRAITEMENT 1707
46150055	UE N 1	CART LENS
46150406AA	UE N 1	CART DIGITAL AUDIO -MP-
4A150051AA	UE N 1	CART VIEW FINDER
4A150407AA	UE N 1	CART FILTER DEMOD.
4A150412AA	UE N 1	CART REAR CONTROL
29293270	P 3	ENTT ENMET12 LG.14
4A150415AA	UE N 1	CART MOTHER BOARD 1707
16518772AA	NT F 1	CART TRAITEMENT NUMERIQUE COMMUT
16518771AA	P 1	CIUP TRAITEMENT NUMERIQUE COMMUT
46150639AA	UE N 1	CART PAL ENCODER 1 -MP-
4A150615AA	UE N 1	CART DIGITAL PROCESS DAUGHTER
4C150400BA	UE N 1	CART ANALOG PROCESS
4C150403AA	UE N 1	CART MPU BOARD -MP-
4D150401AA	UE N 1	CART DIGITAL PROCESS MOTHER
39964892AA	P 1	RENFORT EPAULIERE
46150413AA	UE F 1	CART POWER SUPPLY 1707
46152787AC	P 1	BLINDAGE ALIM
46152865AA	F 1	KIT MECA BLOC TRAITEMENT
46152875AA	P 1	*** GLISSIERE SUP EQUIPEE
46152876AA	P 1	*** GLISSIERE INF.EQUIPEE
46152932AB	P 1	CABL MICROCOAX MCX CARTE
46153264AA	P 1	CABLES FLEX PLIES 1707
46152866AA	A 1	EPAULIERE
46152874AA	N 1	CORPS DE CAMERA EQUIPE
46152850AB	P 1	CORPS DE CAMERA PEINT
46153165AA	P 1	LOT ETIQUETTES CHASSIS
46152877AA	N 1	POIGNEE EQUIPEE
46152851AA	P 1	POIGNEE PEINTE
46152944AA	P 1	%% ENS. AXE DE VISEUR
46153135AA	UF F 1	ENSEMBLE MIC INTERCOM TUCHEL
46153283AA	P 1	CABL PLIE MIC INTERCOM
4A150411AA	UE F 1	CART MIC/INTERCOM
46153137AA	UF F 1	ENSEMBLE TRIAX LEMO
46152933AB	P 1	CABL MICROCOAX MCX TRIAX
46153285AB	P 1	CABL PLIE TRIAX
4A150410AA	UE F 1	CART TRIAX ADAPTOR
46153184AA	P 1	EMBL CARTON 1707
46153271AA	G 1	KIT LOT ACCESSOIRES 1707
46153322AA	N 1	MONTAGE ATTACHE CABLE
46153284AA	N 1	KIT DE MONTAGE MECANIQUE
46152883AB	F 1	PORTE GAUCHE EQUIPEE
46152871AB	P 1	PORTE GAUCHE PEINTE
46153413AA	P 1	SUPPORT BUTE CART EQUIPE
46152884AB	F 1	PORTE DROITE EQUIPEE
46152872AB	P 1	PORTE DROITE PEINTE
47033294AB	UF F 1	BANA ITML-MAT 5V 1657D ELEC NF

B1707E06AB

TTV 1707 IT 4/3 PAL ELEC

1C528761AC	NT F	1	CARP BLOC ANALYSE IT NUM 625L
1C518715AC	P	1	CIUP BLOC ANALYSE IT 5V
46150619CA	UE N	1	CART SAMPLE AND HOLD 4/3 700PTS
47033303AA	UE N	1	CART TIMING IT 5V NUM 4/3
4A032304AA	UE N	1	CART SOCKET IT 4/3 5V BLUE
4A032649AA	UE N	2	CART SOCKET IT 4/3 5V RED/GREEN
4A150300	UE N	1	CART DRIVERS IT 4/3 5V
47018056	NT F	1	KIT2 CABL ET MECA BLOC ANALYSE 1657
47019095	F	1	ETIM 20X05 'CCD TYPE 7'
47033696AA	N	1	ETIM ETIQUETTE PRODUIT CE
B1707M00LB	G	1	NOT. OPER&INSTAL MANUAL FR/ENG 1707
CONFIGPV	G	1	CCONFIGURATION PRISE DE VUE

FIN DE L'ARBORESCENCE

B1707E07DB

TTV 1707 IT 4/3 NTSC ELEC

B1707E07DB	PE G	TTV 1707 IT 4/3 NTSC ELEC
39965513	P 1	TRIPOD ATTACHMENT 1657
39965510	R 1	SEMELLE
46153139AA	UF F 1	ENSEMBLE TRIAX KINGS
46152933AB	P 1	CABL MICROCOAX MCX TRIAX
46153285AB	P 1	CABL PLIE TRIAX
4A150410AA	UE F 1	CART TRIAX ADAPTOR
46153158AA	UF F 1	ENSEMBLE MIC INTERCOM XLR5
46153283AA	P 1	CABL PLIE MIC INTERCOM
4A150411AA	UE F 1	CART MIC/INTERCOM
46153184AA	P 1	EMBL CARTON 1707
46153240AA	UF F 1	BLOC TRAITEMENT 1707 NTSC
16518744AA	NT F 1	CARP PANEL TRAITEMENT 1707
16518743AA	P 1	CIUP PANEL TRAITEMENT 1707
46150055	UE N 1	CART LENS
46150406AA	UE N 1	CART DIGITAL AUDIO -MP-
4A150051AA	UE N 1	CART VIEW FINDER
4A150407AA	UE N 1	CART FILTER DEMOD.
4A150412AA	UE N 1	CART REAR CONTROL
29293270	P 3	ENTT ENMET12 LG.14
4A150415AA	UE N 1	CART MOTHER BOARD 1707
16518779AA	NT F 1	CARP TRAITEMENT NUM COMMUT 525L
16518778AA	P 1	CIUP TRAITEMENT NUM COMMUT 525L
46150418BA	UE N 1	CART NTSC1 ENCODER
4A033347AA	UE N 1	CART MPU BOARD NTSC -MP-
4A150615AA	UE N 1	CART DIGITAL PROCESS DAUGHTER
4C150400BA	UE N 1	CART ANALOG PROCESS
4D150401BA	UE N 1	CART DIGITAL PROCESS NTSC
39964892AA	P 1	RENFORT EPAULIERE
46150413AA	UE F 1	CART POWER SUPPLY 1707
46152787AC	P 1	BLINDAGE ALIM
46152865AA	F 1	KIT MECA BLOC TRAITEMENT
46152875AA	P 1	*** GLISSIERE SUP EQUIPEE
46152876AA	P 1	*** GLISSIERE INF.EQUIPEE
46152932AB	P 1	CABL MICROCOAX MCX CARTE
46153264AA	P 1	CABLES FLEX PLIES 1707
46152866AA	A 1	EPAULIERE
46152874AA	N 1	CORPS DE CAMERA EQUIPE
46152850AB	P 1	CORPS DE CAMERA PEINT
46153165AA	P 1	LOT ETIQUETTES CHASSIS
46152877AA	N 1	POIGNEE EQUIPEE
46152851AA	P 1	POIGNEE PEINTE
46152944AA	P 1	*** ENS. AXE DE VISEUR
46153271AA	G 1	KIT LOT ACCESSOIRES 1707
46153322AA	N 1	MONTAGE ATTACHE CABLE
46153284AA	N 1	KIT DE MONTAGE MECANIQUE
46152883AB	F 1	PORTE GAUCHE EQUIPEE
46152871AB	P 1	PORTE GAUCHE PEINTE
46153413AA	P 1	SUPPORT BUTE CART EQUIPE
46152884AB	F 1	PORTE DROITE EQUIPEE
46152872AB	P 1	PORTE DROITE PEINTE
47033342AB	UF F 1	BANA ITML 4/3 1657D 525 ELEC NF

B1707M06AB

TTV 1707 IT 4/3 PAL MANU

B1707M06AB	PE G	TTV 1707 IT 4/3 PAL MANU
39965513	P 1	TRIPOD ATTACHMENT 1657
39965510	R 1	SEMELLE
46152900AA	UF F 1	BLOC TRAITEMENT 1707 PAL
16518744AA	NT F 1	CARP. PANEL TRAITEMENT 1707
16518743AA	P 1	CIUP PANEL TRAITEMENT 1707
46150055	UE N 1	CART. LENS
46150406AA	UE N 1	CART. DIGITAL AUDIO -MP-
4A150051AA	UE N 1	CART. VIEW FINDER
4A150407AA	UE N 1	CART. FILTER DEMOD.
4A150412AA	UE N 1	CART. REAR CONTROL
29293270	P 3	ENTT ENMET12 LG.14
4A150415AA	UE N 1	CART. MOTHER BOARD 1707
16518772AA	NT F 1	CARP. TRAITEMENT NUMERIQUE COMMUT
16518771AA	P 1	CIUP TRAITEMENT NUMERIQUE COMMUT
46150639AA	UE N 1	CART. PAL ENCODER 1 -MP-
4A150615AA	UE N 1	CART. DIGITAL PROCESS DAUGHTER
4C150400AA	UE N 1	CART. ANALOG PROCESS
4C150403AA	UE N 1	CART. MPU BOARD -MP-
4D150401AA	UE N 1	CART. DIGITAL PROCESS MOTHER
39964892AA	P 1	RENFORT EPAULIERE
46150413AA	UE F 1	CART. POWER SUPPLY 1707
46152787AC	P 1	BLINDAGE ALIM
46152865AA	F 1	KIT MECA BLOC TRAITEMENT
46152875AA	P 1	*** GLISSIERE SUP EQUIPEE
46152876AA	P 1	*** GLISSIERE INF. EQUIPEE
46152932AB	P 1	CABL MICROCOAX MCX CARTE
46153264AA	P 1	CABLES FLEX PLIES 1707
46152866AA	A 1	EPAULIERE
46152874AA	N 1	CORPS DE CAMERA EQUIPE
46152850AB	P 1	CORPS DE CAMERA PEINT
46153165AA	P 1	LOT ETIQUETTES CHASSIS
46152877AA	N 1	POIGNEE EQUIPEE
46152851AA	P 1	POIGNEE PEINTE
46152944AA	P 1	*** ENS. AXE DE VISEUR
46153135AA	UF F 1	ENSEMBLE MIC INTERCOM TUCHEL
46153283AA	P 1	CABL PLIE MIC INTERCOM
4A150411AA	UE F 1	CART. MIC/INTERCOM
46153137AA	UF F 1	ENSEMBLE TRIAX LEMO
46152933AB	P 1	CABL MICROCOAX MCX TRIAX
46153285AB	P 1	CABL PLIE TRIAX
4A150410AA	UE F 1	CART. TRIAX ADAPTOR
46153184AA	P 1	EMBL CARTON 1707
46153271AA	G 1	KIT LOT ACCESSOIRES 1707
46153322AA	N 1	MONTAGE ATTACHE CABLE
46153284AA	N 1	KIT DE MONTAGE MECANIQUE
46152883AB	F 1	PORTE GAUCHE EQUIPEE
46152871AB	P 1	PORTE GAUCHE PEINTE
46153413AA	P 1	SUPPORT BUTE CART EQUIPE
46152884AB	F 1	PORTE DROITE EQUIPEE
46152872AB	P 1	PORTE DROITE PEINTE
47033293AB	UF F 1	BANA ITML MAT 5V 1657D MANU NF

B1707M06AB

TTV 1707 IT 4/3 PAL MANU

1C518761AC	NT F	1	CARF BLOC ANALYSE IT NUM 625L
1C518715AC	F	1	CIUP BLOC ANALYSE IT 5V
46150619CA	UE N	1	CART SAMPLE AND HOLD 4:3 700PTS
47033303AA	UE N	1	CART TIMING IT 5V NUM. 4/3
4A032304AA	UE N	1	CART SOCKET IT 4/3 5V BLUE
4A032649AA	UE N	2	CART SOCKET IT 4/3 5V RED/GREEN
4A150300	UE N	1	CART DRIVERS IT 4/3 5V
47018056	NT F	1	KIT2 CABL ET MECA BLOC ANALYSE 1657
47019095	F	1	ETIM 20X05 'CCD TYPE 7'
47033696AA	N	1	ETIM ETIQUETTE PRODUIT CE
B1707M06LB	G	1	NOT. OPER&INSTAL MANUAL FR/ENG 1707
CONFIGPV	G	1	CONFIGURATION PRISE DE VUE

FIN DE L'ARBORESCENCE

B1707E07DB

TTV 1707 IT 4/3 NTSC ELEC

1A518765AA	NT F	1	CARTE ***BLOC ANA 4/3 IT 525 1657D
1B518715A9	P	1	CIUP ***S45**BOC ANALYSE IT 5V
47032975	UE N	1	CART DRIVERS IT 5V NTSC
47033341AA	UE N	1	CART TIMING IT 4/3 NUM. 525 5V
4A032304AA	UE N	1	CART SOCKET IT 4/3 5V BLUE
4A032649AA	UE N	2	CART SOCKET IT 4/3 5V RED/GREEN
4C033292AC	UE N	1	CART SAMPLE-HOLD 4/3 IT NUM
47018056	NT F	1	KIT2 CABL ET MEGA BLOC ANALYSE 1657
47033696AA	N	1	ETIM ETIQUETTE PRODUIT CE
B1707M00LB	G	1	NOT. OPER&INSTAL MANUAL FR/ENG 1707
CONFIGPV	G	1	CONFIGURATION PRISE DE VUE

FIN DE L'ARBORESCENCE

B1707M07DB

TTV 1707 IT 4/3 NTSC MANU

B1707M07DB	PE	G	TTV 1707 IT 4/3 NTSC MANU
39965513	P	1	TRIPOD ATTACHMENT 1657
39965510	R	1	SEMELLE
46153139AA	UF	F	ENSEMBLE TRIAX KINGS
46152933AB	P	1	CABL MICROCOAX MCX TRIAX
46153285AB	P	1	CABL PLIE TRIAX
4A150410AA	UE	F	CART TRIAX ADAPTOR
46153158AA	UF	F	ENSEMBLE MIC INTERCOM XLR5
46153283AA	P	1	CABL PLIE MIC INTERCOM
4A150411AA	UE	F	CART MIC/INTERCOM
46153184AA	P	1	EMBL CARTON 1707
46153240AA	UF	F	BLOC TRAITEMENT 1707 NTSC
16518744AA	NT	F	CARP PANEL TRAITEMENT 1707
16518743AA	P	1	CIUP PANEL TRAITEMENT 1707
46150055	UE	N	CART LENS
46150406AA	UE	N	CART DIGITAL AUDIO -MP-
4A150051AA	UE	N	CART VIEW FINDER
4A150407AA	UE	N	CART FILTER DEMOD.
4A150412AA	UE	N	CART REAR CONTROL
29293270	P	3	ENTT ENMET12 LG.14
4A150415AA	UE	N	CART MOTHER BOARD 1707
16518779AA	NT	F	CARP TRAITEMENT NUM COMMUT 525L
16518778AA	P	1	CIUP TRAITEMENT NUM COMMUT 525L
46150418BA	UE	N	CART NTSC1 ENCODER
4A033347AA	UE	N	CART MPU BOARD NTSC -MP-
4A150615AA	UE	N	CART DIGITAL PROCESS DAUGHTER
4C150400BA	UE	N	CART ANALOG PROCESS
4D150401BA	UE	N	CART DIGITAL PROCESS NTSC
39964892AA	P	1	RENFORT EPAULIERE
46150413AA	UE	F	CART POWER SUPPLY 1707
46152787AC	P	1	BLINDAGE ALIM
46152865AA	F	1	KIT MECA BLOC TRAITEMENT
46152875AA	P	1	%% GLISSIERE SUP EQUIPEE
46152876AA	P	1	%% GLISSIERE INF.EQUIPEE
46152932AB	P	1	CABL MICROCOAX MCX CARTE
46153264AA	P	1	CABLES FLEX PLIES 1707
46152866AA	A	1	EPAULIERE
46152874AA	N	1	CORPS DE CAMERA EQUIPE
46152850AB	P	1	CORPS DE CAMERA PEINT
46153165AA	P	1	LOT ETIQUETTES CHASSIS
46152877AA	N	1	POIGNEE EQUIPEE
46152851AA	P	1	POIGNEE PEINTE
46152944AA	P	1	%% ENS. AXE DE VISEUR
46153271AA	G	1	KIT LOT ACCESSOIRES 1707
46153322AA	N	1	MONTAGE ATTACHE CABLE
46153284AA	N	1	KIT DE MONTAGE MECANIQUE
46152883AB	F	1	PORTE GAUCHE EQUIPEE
46152871AB	P	1	PORTE GAUCHE PEINTE
46153413AA	P	1	SUPPORT BUTE CART EQUIPE
46152884AB	F	1	PORTE DROITE EQUIPEE
46152872AB	P	1	PORTE DROITE PEINTE
47033343AB	UF	F	BANA IT 4/3 1657D 525 MANU NF

B1707M07DB

TTV 1707 IT 4/3 NTSC MANU

1A518765AA	NT F	1	CARP ***BLOC ANA 4/3 IT 525 1657D
1B518715AB	P	1	CIUP ***S45**BOC ANALYSE IT 5V
47032975	UE N	1	CART DRIVERS IT 5V NTSC
47035341AA	UE N	1	CART TIMING IT 4/3 NUM. 525 5V
4A032304AA	UE N	1	CART SOCKET IT 4/3 5V BLUE
4AC32649AA	UE N	2	CART SOCKET IT 4/3 5V RED/GREEN
4C033292AC	UE N	1	CART SAMPLE-HOLD 4/3 IT NUM.
47018056	NT F	1	KIT2 CABL ET MECA BLOC ANALYSE 1657
47033696AA	N	1	ETIM ETIQUETTE PRODUIT CE
B1707M0CLB	G	1	NOT. OPER&INSTAL MANUAL FR/ENG 1707
CONFIGPV	G	1	CONFIGURATION PRISE DE VUE

FIN DE L'ARBORESCENCE

B1707E12FB

TTV1707 IT 16/9 100OPTS PAL EL

B1707E12FB	PE G	TTV1707 IT 16/9 100OPTS PAL EL
39965513	P 1	TRIPOD ATTACHMENT 1657
39965510	R 1	SEMELLE
46152900AA	UF F 1	BLOC TRAITEMENT 1707 PAL
16518744AA	NT F 1	CARP PANEL TRAITEMENT 1707
16518743AA	P 1	CIUP PANEL TRAITEMENT 1707
46150055	UE N 1	CART LENS
46150406AA	UE N 1	CART DIGITAL AUDIO -MP-
4A150051AA	UE N 1	CART VIEW FINDER
4A150407AA	UE N 1	CART FILTER DEMOD.
4A150412AA	UE N 1	CART REAR CONTROL
29293270	P 3	ENT ENMET12 LG.14
4A150413AA	UE N 1	CART MOTHER BOARD 1707
16518772AA	NT F 1	CARP TRAITEMENT NUMERIQUE COMMUT
16518771AA	P 1	CIUP TRAITEMENT NUMERIQUE COMMUT
46150639AA	UE N 1	CART PAL ENCODER 1 -MP-
4A150615AA	UE N 1	CART DIGITAL PROCESS DAUGHTER
4C150400BA	UE N 1	CART ANALOG PROCESS
4C150403AA	UE N 1	CART MPU BOARD -MP-
4D150401AA	UE N 1	CART DIGITAL PROCESS MOTHER
39964892AA	P 1	RENFORT EPAULIERE
46150413AA	UE F 1	CART POWER SUPPLY 1707
46152787AC	P 1	BLINDAGE ALIM
46152865AA	F 1	KIT MECA BLOC TRAITEMENT
46152875AA	P 1	*** GLISSIERE SUP EQUIPEE
46152876AA	P 1	*** GLISSIERE INF.EQUIPEE
46152932AB	P 1	CABL MICROCOAX MCX CARTE
46153264AA	P 1	CABLES FLEX PLIES 1707
46152866AA	A 1	EPAULIERE
46152874AA	N 1	CORPS DE CAMERA EQUIPE
46152850AB	P 1	CORPS DE CAMERA PEINT
46153165AA	P 1	LOT ETIQUETTES CHASSIS
46152877AA	N 1	POIGNEE EQUIPEE
46152851AA	P 1	POIGNEE PEINTE
46152944AA	P 1	*** ENS. AXE DE VISEUR
46153137AA	UF F 1	ENSEMBLE TRIAX LEMO
46152933AB	P 1	CABL MICROCOAX MCX TRIAX
46153285AB	P 1	CABL PLIE TRIAX
4A150410AA	UE F 1	CART TRIAX ADAPTOR
46153158AA	UF F 1	ENSEMBLE MIC INTERCOM XLRS
46153283AA	P 1	CABL PLIE MIC INTERCOM
4A150411AA	UE F 1	CART MIC/INTERCOM
46153184AA	P 1	EMBL CARTON 1707
46153271AA	G 1	KIT LOT ACCESSOIRES 1707
46153322AA	N 1	MONTAGE ATTACHE CABLE
46153284AA	N 1	KIT DE MONTAGE MECANIQUE
46152883AB	F 1	PORTE GAUCHE EQUIPEE
46152871AB	P 1	PORTE GAUCHE PEINTE
46153413AA	P 1	SUPPORT BUTE CART EQUIPE
46152884AB	F 1	PORTE DROITE EQUIPEE
46152872AB	P 1	PORTE DROITE PEINTE
47033635AB	UF F 1	BANA 1000IT 16/9 PAL ELEC 1657D

B1707E12FB

TTV1707 IT 16/9 1000PTS PAL EL

16518776AA	NT F	1	CART ANALYSE 1000 POINTS IT 16/9
16518775AB	P	1	CIUP BLOC ANALYSE 1000PTS IT 16/9
46150619BA	UE N	1	CART SAMPLE AND HOLD 16/9 1000PTS
4A150634AA	UE N	3	CART SOCKET IT 16/9 RGB
4A150637AA	UE N	1	CART DRIVERS IT 16/9
4A150641AA	UE N	1	CART TIMING IT 16/9 4/3
47018056	NT F	1	KIT2 CABL ET MECA BLOC ANALYSE 1657
47033872AA	F	1	ETIM 20X05 'CCD TYPE 20'
47033696AA	N	1	ETIM ETIQUETTE PRODUIT CE
B17C7M00LB	G	1	NOT. OPER&INSTAL MANUAL FR/ENG 1707
CONFIGPV	G	1	CONFIGURATION PRISE DE VUE

FIN DE L'ARBORESCENCE

B1707M12FB

TTV1707 IT 16/9 1000PTS PAL MA

B1707M12FB	PE	G	TTV1707 IT 16/9 1000PTS PAL MA
39965513	P	1	TRIPOD ATTACHMENT 1657
39965510	R	1	SEMELLE
46152900AA	UF	F	BLOC TRAITEMENT 1707 PAL
16518744AA	NT	F	CARP PANEL TRAITEMENT 1707
16518743AA	P	1	CIUP PANEL TRAITEMENT 1707
46150055	UE	N	CART LENS
46150406AA	UE	N	CART DIGITAL AUDIO -MP-
4A150051AA	UE	N	CART VIEW FINDER
4A150407AA	UE	N	CART FILTER DEMOD.
4A150412AA	UE	N	CART REAR CONTROL
29293270	P	3	ENTT ENMET12 LG.14
4A150415AA	UE	N	CART MOTHER BOARD 1707
16518772AA	NT	F	CARP TRAITEMENT NUMERIQUE COMMUT
16518771AA	P	1	CIUP TRAITEMENT NUMERIQUE COMMUT
46150639AA	UE	N	CART PAL ENCODER 1 -MP-
4A150615AA	UE	N	CART DIGITAL PROCESS DAUGHTER
4C150400BA	UE	N	CART ANALOG PROCESS
4C150403AA	UE	N	CART MPU BOARD -MP-
4D150401AA	UE	N	CART DIGITAL PROCESS MOTHER
39964892AA	P	1	RENFORT EPAULIERE
46150413AA	UE	F	CART POWER SUPPLY 1707
46152787AC	P	1	BLINDAGE ALIM
46152865AA	F	1	KIT MECA BLOC TRAITEMENT
46152875AA	P	1	*** GLISSIERE SUP EQUIPEE
46152876AA	P	1	*** GLISSIERE INF.EQUIPEE
46152932AB	P	1	CABL MICROCOAX MCX CARTE
46153264AA	P	1	CABLES FLEX PLIES 1707
46152866AA	A	1	EPAULIERE
46152874AA	N	1	CORPS DE CAMERA EQUIPE
46152850AB	P	1	CORPS DE CAMERA PEINT
46153165AA	P	1	LOT ETIQUETTES CHASSIS
46152877AA	N	1	POIGNEE EQUIPEE
46152851AA	P	1	POIGNEE PEINTE
46152944AA	P	1	*** ENS. AXE DE VISEUR
46153137AA	UF	F	ENSEMBLE TRIAX LEMO
46152933AB	P	1	CABL MICROCOAX MCX TRIAX
46153285AB	P	1	CABL PLIE TRIAX
4A150410AA	UE	F	CART TRIAX ADAPTOR
46153158AA	UF	F	ENSEMBLE MIC INTERCOM XLR5
46153283AA	P	1	CABL PLIE MIC INTERCOM
4A150411AA	UE	F	CART MIC/INTERCOM.
46153184AA	P	1	EMBL CARTON 1707
46153271AA	G	1	KIT LOT ACCESSOIRES 1707
46153322AA	N	1	MONTAGE ATTACHE CABLE
46153284AA	N	1	KIT DE MONTAGE MECANIQUE
46152883AB	F	1	PORTE GAUCHE EQUIPEE
46152871AB	P	1	PORTE GAUCHE PEINTE
46153413AA	P	1	SUPPORT BUTE CART EQUIPE
46152884AB	F	1	PORTE DROITE EQUIPEE
46152872AB	P	1	PORTE DROITE PEINTE
47033634AB	UF	F	BANA 1000 IT 16/9 PAL MANUEL 1657D

B1707M12FB

TTV1707 IT 16/9 1000PTS PAL MA

16518776AA	NT	1	CARP ANALYSE 1000 POINTS IT 16/9
16518775AB	P	1	CIUP BLOC ANALYSE 1000PTS IT 16/9
4A150619BA	UE N	1	CART SAMPLE AND HOLD 16/9 1000PTS
4A150634AA	UE N	3	CART SOCKET IT 16/9 RGB
4A150637AA	UE N	1	CART DRIVERS IT 16/9
4A150641BA	UE N	1	CART TIMING IT 16/9 4/3
47018056	NT	1	KIT2 CABL ET MECA BLOC ANALYSE 1657
47033872AA	F	1	ETIM 20X05 'CCD TYPE 20'
47033696AA	N	1	ETIM ETIQUETTE PRODUIT CE
B1707M00LB	G	1	NOT. OPER&INSTAL MANUAL FR/ENG 1707
CONFIGPV	G	1	CONFIGURATION PRISE DE VUE

FIN DE L'ARBORESCENCE

B1707E13DB

TTV1707 IT 16/9 100OPTS NTSC E

B1707E13DB	PE	G	TTV1707 IT 16/9 100OPTS NTSC E
39965513	P	1	TRIPOD ATTACHMENT 1657
39965510	R	1	SEMELLE
46153139AA	UF	1	ENSEMBLE TRIAX KINGS
46152933AB	P	1	CABL MICROCOAX MCX TRIAX
46153285AB	P	1	CABL PLIE TRIAX
4A150410AA	UE	1	CART TRIAX ADAPTOR
46153198AA	UF	1	ENSEMBLE MIC INTERCOM XLR5
46153283AA	P	1	CABL PLIE MIC INTERCOM
4A150411AA	UE	1	CART MIC/INTERCOM
46153184AA	P	1	EMBL CARTON 1707
46153240AA	UF	1	BLOC TRAITEMENT 1707 NTSC
16518744AA	NT	1	CARE PANEL TRAITEMENT 1707
16518743AA	P	1	CIUP PANEL TRAITEMENT 1707
46150055	UE	N	1 CART LENS
46150406AA	UE	N	1 CART DIGITAL AUDIO -MP-
4A150051AA	UE	N	1 CART VIEW FINDER
4A150407AA	UE	N	1 CART FILTER DEMOD
4A150412AA	UE	N	1 CART REAR CONTROL
29293270	P	3	ENTT ENMET12 LG.14
4A150415AA	UE	N	1 CART MOTHER BOARD 1707
16518779AA	NT	F	1 CARE TRALTEMENT NUM COMMUT 525L
16518778AA	P	1	CIUP TRAITEMENT NUM COMMUT 525L
46150418BA	UE	N	1 CART NTSC1 ENCCDER
4A033347AA	UE	N	1 CART MPU BOARD NTSC -MP-
4A150615AA	UE	N	1 CART DIGITAL PROCESS DAUGHTER
4C150400BA	UE	N	1 CART ANALOG PROCESS
4D150401BA	UE	N	1 CART DIGITAL PROCESS NTSC
39964892AA	P	1	RENFORT EPAULIERE
46150419AA	UE	F	1 CART POWER SUPPLY 1707
46152787AC	P	1	BLINDAGE ALIM
46152865AA	F	1	KIT MECA BLOC TRAITEMENT
46152875AA	P	1	*** GLISSIERE SUP EQUIPEE
46152876AA	P	1	*** GLISSIERE INF.EQUIPEE
46152932AB	P	1	CABL MICROCOAX MCX CARTE
46153264AA	P	1	CABLES FLEX PLIES 1707
46152866AA	A	1	EPAULIERE
46152874AA	N	1	CORPS DE CAMERA EQUIPE
46152850AB	P	1	CORPS DE CAMERA PEINT
46153165AA	P	1	LOT ETIQUETTES CHASSIS
46152877AA	N	1	POIGNEE EQUIPEE
46152851AA	P	1	POIGNEE PEINTE
46152944AA	P	1	*** ENS. AXE DE VISEUR
46153271AA	G	1	KIT LOT ACCESSOIRES 1707
46153322AA	N	1	MONTAGE ATTACHE CABLE
46153284AA	N	1	KIT DE MONTAGE MECANIQUE
46152883AB	F	1	PORTE GAUCHE EQUIPEE
46152871AB	P	1	PORTE GAUCHE PEINTE
46153413AA	P	1	SUPPORT BUTE CART EQUIPE
46152884AB	F	1	PORTE DROITE EQUIPEE
46152872AB	P	1	PORTE DROITE PEINTE
47033696AA	N	1	ETIM ETIQUETTE PRODUIT CE

B1707E13DB

TTV1707 IT 16/9 100OPTS NTSC E

47033918AA	UF F	1	BANA **1000 IT 16/9 NTSC ELEC 16579
16518776BA	NT F	1	CARP ANALYSE 100OPTS IT 16/9 NTSC
16518775AB	P	1	CIUP BLOC ANALYSE 100OPTS IT 16/9
46150619BA	UE N	1	CART SAMPLE AND HOLD 16:9 100OPTS
4A150694AA	UE N	3	CART SOCKET IT 16/9 RGB
4A150697AA	UE N	1	CART DRIVERS IT 16/9
4A150641BA	UE N	1	CART TIMING IT 16:9/4:3 525L
47019056	NT F	1	KIT2 CABL ET MECA BLOC ANALYSE 1657
47033920AA	F	1	ETIM 20X05 'CCD TYPE 21'
B1707M00LB	G	1	NOT. OPER&INSTAL MANUAL FR/ENG 1707
CONFIGPV	G	1	CONFIGURATION PRISE DE VUE

FIN DE L'ARBORESCENCE

B1707M13DB

TTV1707 IT 16/9 1000PTS NTSC M

B1707M13DB	PE	G	TTV1707 IT 16/9 1000PTS NTSC M
39965513	P	1	TRIPOD ATTACHMENT 1657
39965510	R	1	SEMELLE
46153139AA	UF	F	ENSEMBLE TRIAX KINGS
46152933AB	P	1	CABL MICROCOAX MCX TRIAX
46153285AB	P	1	CABL PLIE TRIAX
4A150410AA	UE	F	CART TRIAX ADAPTOR
46153158AA	UF	F	ENSEMBLE MIC INTERCOM XLR5
46153283AA	P	1	CABL PLIE MIC INTERCOM
4A150411AA	UE	F	CART MIC/INTERCOM
46153184AA	P	1	EMBL CARTON 1707
46153240AA	UF	F	BLOC TRAITEMENT 1707 NTSC
16518744AA	NT	F	CARP PANEL TRAITEMENT 1707
16518743AA	P	1	CIUP PANEL TRAITEMENT 1707
46150055	UE	N	CART LENS
46150406AA	UE	N	CART DIGITAL AUDIO -MP-
4A150051AA	UE	N	CART VIEW FINDER
4A150407AA	UE	N	CART FILTER DEMOD.
4A150412AA	UE	N	CART REAR CONTROL
29293270	P	3	ENT7 ENMET12 LG.14
4A150415AA	UE	N	CART MOTHER BOARD 1707
16518779AA	NT	F	CARP TRAITEMENT NUM COMMUT 525L
16518778AA	P	1	CIUP TRAITEMENT NUM COMMUT 525L
46150418BB	UE	N	CART NTSC1 ENCODER
4A033347AA	UE	N	CART MPU BOARD NTSC -MP-
4A150615AA	UE	N	CART DIGITAL PROCESS DAUGHTER
4A150400BA	UE	N	CART ANALOG PROCESS
4A150401BA	UE	N	CART DIGITAL PROCESS NTSC
39964392AA	P	1	RENFORT EPAULIERE
46150413AA	UE	F	CART POWER SUPPLY 1707
46152787AC	P	1	BLINDAGE ALIM
46152865AA	F	1	KIT MECA BLOC TRAITEMENT
46152875AA	P	1	*** GLISSIERE SUP EQUIPEE
46152876AA	P	1	*** GLISSIERE INF.EQUIPEE
46152932AB	P	1	CABL MICROCOAX MCX CARTE
46153264AA	P	1	CABLES FLEX PLIES 1707
46152866AA	A	1	EPAULIERE
46152874AA	N	1	CORPS DE CAMERA EQUIPE
46152850AB	P	1	CORPS DE CAMERA PEINT
46153165AA	P	1	LOT ETIQUETTES CHASSIS
46152877AA	N	1	POIGNEE EQUIPEE
46152851AA	P	1	POIGNEE PEINTE
46152944AA	P	1	*** ENS. AXE DE VISEUR
46153271AA	G	1	KIT LOT ACCESSOIRES 1707
46153322AA	N	1	MONTAGE ATTACHE CABLE
46153284AA	N	1	KIT DE MONTAGE MECANIQUE
46152883AB	F	1	PORTE GAUCHE EQUIPEE
46152871AB	P	1	PORTE GAUCHE PEINTE
46153413AA	P	1	SUPPORT BUTE CART EQUIPE
46152884AB	F	1	PORTE DROITE EQUIPEE
46152872AB	P	1	PORTE DROITE PEINTE
47033696AA	N	1	ETIM ETIQUETTE PRODUIT CE

B1707M13DB

TTV1707 IT 16/9 1000PTS NTSC M

47033919AA	UF F	1	BANA	1000 IT 16/9 NTSC MANU	1657D
16518776BA	NT F	1	CARP	ANALYSE 1000PTS IT 16/9 NTSC	
16518775AB	P	1	CIUP	BLOC ANALYSE 1000PTS IT 16/9	
46150619BA	UE N	1	CART	SAMPLE AND HOLD 16:9 1000PTS	
4A150634AA	UE N	3	CART	SOCKET IT 16/9 RGB	
4A150637AA	UE N	1	CART	DRIVERS IT 16/9	
4A150641BA	UE N	1	CART	TIMING IT 16:9/4:3 525L	
47018056	NT F	1	KIT2	CABL ET MECA BLOC ANALYSE	1657
47033920AA	F	1	ETIM	20XC5 'CCD TYPE 21'	
B1707M00LB	G	1	NOT.	OPER&INSTAL MANUAL FR/ENG 1707	
CONFIGPV	G	1		CONFIGURATION PRISE DE VUE	

FIN DE L'ARBORESCENCE

B1707E62AB

TTV 1707 FIT 16/9 PAL ELEC

B1707E62AB	PE G	TTV 1707 FIT 16/9 PAL ELEC
39965513	P 1	TRIPOD ATTACHMENT 1657
39965510	R 1	SEMELE
46152900AA	UF F 1	BLOC TRAITEMENT 1707 PAL
16518744AA	NT F 1	CARP PANEL TRAITEMENT 1707
16518743AA	P 1	CIUP PANEL TRAITEMENT 1707
46150055	UE N 1	CART LENS
46150406AA	UE N 1	CART DIGITAL AUDIO -MP-
4A150051AA	UE N 1	CART VIEW FINDER
4A150407AA	UE N 1	CART FILTER DEMOD.
4A150412AA	UE N 1	CART REAR CONTROL
29293270	P 3	ENTT ENMET12 LG.14
4A150415AA	UE N 1	CART MOTHER BOARD 1707
16518772AA	NT F 1	CARP TRAITEMENT NUMERIQUE COMMUT
16518771AA	P 1	CIUP TRAITEMENT NUMERIQUE COMMUT
46150639AA	UE N 1	CART PAL ENCODER 1 -MP-
4A150615AA	UE N 1	CART DIGITAL PROCESS DAUGHTER
4C150400BA	UE N 1	CART ANALOG PROCESS
4C150403AA	UE N 1	CART MEU BOARD -MP-
4D150401AA	UE N 1	CART DIGITAL PROCESS MOTHER
39964892AA	P 1	RENFORT EPAULIERE
46150413AA	UE F 1	CART POWER SUPPLY 1707
46152787AC	P 1	BLINDAGE ALIM
46152865AA	F 1	KIT MECA BLOC TRAITEMENT
46152875AA	P 1	*** GLISSIERE SUP EQUIPEE
46152876AA	P 1	*** GLISSIERE INF.EQUIPEE
46152932AB	P 1	CABL MICROCOAX MCX CARTE
46153264AA	P 1	CABLES FLEX PLIES 1707
46152866AA	A 1	EPAULIERE
46152874AA	N 1	CORPS DE CAMERA EQUIPE
46152850AB	P 1	CORPS DE CAMERA PEINT
46153165AA	P 1	LOT ETIQUETTES CHASSIS
46152877AA	N 1	POIGNEE EQUIPEE
46152851AA	P 1	POIGNEE PEINTE
46152944AA	P 1	*** ENS. AXE DE VISEUR
46153135AA	UF F 1	ENSEMBLE MIC INTERCOM TUCHEL
46153283AA	P 1	CABL PLIE MIC INTERCOM
4A150411AA	UE F 1	CART MIC/INTERCOM
46153137AA	UF F 1	ENSEMBLE TRIAX LEMO
46152933AB	P 1	CABL MICROCOAX MCX TRIAX
46153285AB	P 1	CABL PLIE TRIAX
4A150410AA	UE F 1	CART TRIAX ADAPTOR
46153184AA	P 1	EMBL CARTON 1707
46153271AA	G 1	KIT LOT ACCESSOIRES 1707
46153322AA	N 1	MONTAGE ATTACHE CABLE
46153284AA	N 1	KIT DE MONTAGE MECANIQUE
46152883AB	F 1	PORTE GAUCHE EQUIPEE
46152871AB	P 1	PORTE GAUCHE PEINTE
46153413AA	P 1	SUPPORT BUTE CART EQUIPE
46152884AB	F 1	PORTE DROITE EQUIPEE
46152872AB	P 1	PORTE DROITE PEINTE
47C33198AC	UF F 1	BANA FIT 16/9 1657D PAL ELEC NF

B1707E62AB

TTV 1707 FIT 16/9 PAL ELEC

1E518758AF	NT F	1	CARP BLOC ANALYSE 16/9 NUM
1E518690AF	P	1	CIUP BLOC ANALYSE 16/9 MAT
46150619BA	UE N	1	CART SAMPLE AND HOLD 16/9 1000PTS
47032487	UE N	2	CART SOCKET FIT 16/9 VERT ROUGE
4A150066	UE N	1	CART SOCKET FIT 16/9
4A150394	UE N	1	CART DRIVER FIT 16/9/4/3
4B033255AA	UE N	1	CART TIMING FIT 16/9-4/3 2E VE
47018056	NT F	1	KIT2 CABL ET MECA BLOC ANALYSE 1657
47033636AA	F	1	ETIM 20X05 'CCD TYPE 18'
47033596AA	N	1	ETIM ETIQUETTE PRODUIT CE
B1707MOOLB	G	1	NOT. OPER&INSTAL MANUAL FR/ENG 1707
CONFIGPV	G	1	CONFIGURATION PRISE DE VUE

FIN DE L'ARBORESCENCE

B1707M62AB

TTV 1707 FIT 16/9 PAL MANU

B1707M62AB	PE	G	TTV 1707 FIT 16/9 PAL MANU
39965513	P	1	TRIPOD ATTACHMENT 1657
39965510	R	1	SEMELLE
46152900AA	UF	F	1 BLOC TRAITEMENT 1707 PAL
16518744AA	NT	F	1 CARP PANEL TRAITEMENT 1707
16518743AA	P	1	CIUP PANEL TRAITEMENT 1707
46150055	UE	N	1 CART LENS
46150406AA	UE	N	1 CART DIGITAL AUDIO -MP-
4A150051AA	UE	N	1 CART VIEW FINDER
4A150407AA	UE	N	1 CART FILTER DEMOD.
4A150412AA	UE	N	1 CART REAR CONTROL
29293270	P	3	ENTT ENMET12 LG.14
4A150415AA	UE	N	1 CART MOTHER BOARD 1707
16518772AA	NT	F	1 CARP TRAITEMENT NUMERIQUE COMMUT
16518771AA	P	1	CIUP TRAITEMENT NUMERIQUE COMMUT
46150639AA	UE	N	1 CART PAL ENCODER 1 -MP-
4A150615AA	UE	N	1 CART DIGITAL PROCESS DAUGHTER
4C150400BA	UE	N	1 CART ANALOG PROCESS
4C150403AA	UE	N	1 CART MPU BOARD -MP-
4D150401AA	UE	N	1 CART DIGITAL PROCESS MOTHER
39964892AA	P	1	RENFORT EPAULIERE
46150413AA	UE	F	1 CART POWER SUPPLY 1707
46152787AC	P	1	BLINDAGE ALIM
46152865AA	F	1	KIT MECA BLOC TRAITEMENT
46152875AA	P	1	*** GLISSIERE SUP EQUIPEE
46152876AA	P	1	*** GLISSIERE INF. EQUIPEE
46152932AB	P	1	CABL MICROCOAX MCX CARTE
46153264AA	P	1	CABLES FLEX PLIES 1707
46152866AA	A	1	EPAULIERE
46152874AA	N	1	CORPS DE CAMERA EQUIPE
46152850AB	P	1	CORPS DE CAMERA PEINT
46153165AA	P	1	LOT ETIQUETTES CHASSIS
46152877AA	N	1	POIGNEE EQUIPEE
46152851AA	P	1	POIGNEE PEINTE
46152944AA	P	1	*** ENS. AXE DE VISEUR
46153135AA	UE	F	1 ENSEMBLE MIC INTERCOM TUCHEL
46153283AA	P	1	CABL PLIE MIC INTERCOM
4A150411AA	UE	F	1 CART MIC/INTERCOM
46153137AA	UE	F	1 ENSEMBLE TRIAX LEMO
46152933AB	P	1	CABL MICROCOAX MCX TRIAX
46153285AB	P	1	CABL PLIE TRIAX
4A150410AA	UE	F	1 CART TRIAX ADAPTOR
46153184AA	P	1	EMBL CARTON 1707
46153271AA	G	1	KIT LOT ACCESSOIRES 1707
46153322AA	N	1	MONTAGE ATTACHE CABLE
46153284AA	N	1	KIT DE MONTAGE MECANIQUE
46152883AB	F	1	PORTE GAUCHE EQUIPEE
46152871AB	P	1	PORTE GAUCHE PEINTE
46153413AA	P	1	SUPPORT BUTE CART EQUIPE
46152884AB	F	1	PORTE DROITE EQUIPEE
46152872AB	P	1	PORTE DROITE PEINTE
47033199AC	UE	F	1 BANA FIT 16/9 1657D PAL MANU NE

B1707M62AB

TTV 1707 FIT 16/9 PAL MANU

1E518758AF	NT F	1	CARF BLOC ANALYSE 16/9 NUM
1E518690AF	F	1	CIUP BLOC ANALYSE 16/9 MAT
461506195A	UE N	1	CART SAMPLE AND HOLD 16/9 1000PTS
47032487	UE N	2	CART SOCKET FIT 16/9 VERT ROUGE
4A150066	UE N	1	CART SOCKET FIT 16/9
4A150394	UE N	1	CART DRIVER FIT 16/9/4/3
4B033255AA	UE N	1	CART TIMING FIT 16/9-4/3 2E VE
47018056	NT F	1	KIT2 CABL ET MECA BLOC ANALYSE 1657
47033636AA	F	1	ETIM 20X05 'CCD TYPE 18'
47033696AA	N	1	ETIM ETIQUETTE PRODUIT CE
B1707MOOLE	G	1	NOT. OPER&INSTAL MANUAL FR/ENG 1707
CONFIGPV	G	1	CONFIGURATION PRISE DE VUE

FIN DE L'ARBORESCENCE

B1707E63DB

TTV 1707 FIT 16/9 NTSC ELEC

B1707E63DB		TTV 1707 FIT 16/9 NTSC ELEC	
39965513	PE	G	TTV 1707 FIT 16/9 NTSC ELEC
39965510	P	1	TRIPOD ATTACHMENT 1657
46153139AA	R	1	SEMELLE
46152933AB	UF	1	ENSEMBLE TRIAX KINGS
46153285AB	P	1	CABL MICROCOAX MCX TRIAX
4A150410AA	P	1	CABL PLIE TRIAX
46153158AA	UE	F	CART TRIAX ADAPTOR
46153283AA	UF	F	ENSEMBLE MIC INTERCOM XLR5
4A150411AA	P	1	CABL PLIE MIC INTERCOM
46133184AA	UE	F	CART MIC/INTERCOM.
46153240AA	P	1	EMBL CARTON 1707
16518744AA	UF	F	BLOC TRAITEMENT 1707 NTSC
16518743AA	NT	F	CARP PANEL TRAITEMENT 1707
46150095	P	1	CIUP PANEL TRAITEMENT 1707
46150406AA	UE	N	CART LENS
4A150051AA	UE	N	CART DIGITAL AUDIO -MP-
4A150407AA	UE	N	CART VIEW FINDER
4A150412AA	UE	N	CART FILTER DEMOD.
29293270	UE	N	CART REAR CONTROL
4A150415AA	P	3	ENT ENMET12 LG.14
16518779AA	UE	N	CART MOTHER BOARD 1707
16518778AA	NT	F	CARP TRAITEMENT NUM COMMUT 525L
46150418BA	P	1	CIUP TRAITEMENT NUM COMMUT 525L
4A033347AA	UE	N	CART NTSC1 ENCODER
4A150615AA	UE	N	CART MPU BOARD NTSC -MP-
4C150400BA	UE	N	CART DIGITAL PROCESS DAUGHTER
4D150401BA	UE	N	CART ANALOG PROCESS
39964892AA	UE	N	CART DIGITAL PROCESS NTSC
46150413AA	P	1	RENFORT EPAULIERE
46152787AC	UE	F	CART POWER SUPPLY 1707
46152865AA	P	1	BLINDAGE ALIM
46152875AA	F	1	KIT MECA BLOC TRAITEMENT
46152876AA	P	1	*** GLISSIERE SUP EQUIPEE
46152932AB	P	1	*** GLISSIERE INF.EQUIPEE
46153264AA	P	1	CABL MICROCOAX MCX CARTE
46152866AA	P	1	CABLES FLEX PLIES 1707
46152874AA	A	1	EPAULIERE
46152850AB	N	1	CORPS DE CAMERA EQUIPE
46153165BA	P	1	CORPS DE CAMERA PEINT
46152877AA	P	1	LOT ETIQUETTES CHASSIS
46152851AA	N	1	POIGNEE EQUIPEE
46152944AA	P	1	POIGNEE PEINTE
46153271AA	P	1	*** ENS. AXE DE VISEUR
46153322AA	G	1	KIT LOT ACCESSOIRES 1707
46153284AA	N	1	MONTAGE ATTACHE CABLE
46152883AB	N	1	KIT DE MONTAGE MECANIQUE
46152871AB	F	1	PORTE GAUCHE EQUIPEE
46153413AA	P	2	PORTE GAUCHE PEINTE
46152884AB	P	1	SUPPORT BUTE CART EQUIPE
46152872AB	F	1	PORTE DROITE EQUIPEE
47033340AC	P	1	PORTE DROITE PEINTE
	UF	F	BANA FIT 16/9 1657D NTSC ELEC NF

B1707E63DB

TTV 1707 FIT 16/9 NTSC ELEC

1A518764AB	NT F	1	CART BLOC ANALYSE 16/9 NUM 525L
1E518690AF	F	1	CIUP BLOC ANALYSE 16/9 MAT
461506198A	UE N	1	CART SAMPLE AND HOLD 16:9 100OPTS
47032487	UE N	2	CART SOCKET FIT 16/9 VERT ROUGE
47033338AA	UE N	1	CART TIMING FIT 16/9 NUM 52BL
4A150066	UE N	1	CART SOCKET FIT 16/9
4A150394	UE N	1	CART DRIVER FIT 16:9/4:3
47018056	NT F	1	KIT2 CABL ET MECA BLOC ANALYSE 1657
47033869AA	F	1	ETIM 20XC5 'CCD TYPE 19'
47033696AA	N	1	ETIM ETIQUETTE PRODUIT CE
B1707M00LB	G	1	NOT. OPER&INSTAL MANUAL FR/ENG 1707
CONFIGPV	G	1	CONFIGURATION PRISE DE VUE

FIN DE L'ARBORESCENCE

B1707M63DB

TTV 1707 FIT 16/9 NTSC MANU

B1707M63DB	PE G	TTV 1707 FIT 16/9 NTSC MANU
39965513	P 1	TRIPOD ATTACHMENT 1657
39965510	R 1	SEMELLE
46153139AA	UF F 1	ENSEMBLE TRIAX KINGS
46152933AB	P 1	CABL MICROCOAX MCX TRIAX
46153285AB	P 1	CABL PLIE TRIAX
4A150410AA	UE F 1	CART TRIAX ADAPTOR
46153158AA	UF F 1	ENSEMBLE MIC INTERCOM XLRS
46153283AA	P 1	CABL PLIE MIC INTERCOM
4A150411AA	UE F 1	CART MIC/INTERCOM
46153184AA	P 1	EMBL CARTON 1707
46153240AA	UF F 1	BLOC TRAITEMENT 1707 NTSC
16518744AA	NT F 1	CARP PANEL TRAITEMENT 1707
16518743AA	P 1	CIUP PANEL TRAITEMENT 1707
46150055	UE N 1	CART LENS
46150406AA	UE N 1	CART DIGITAL AUDIO -MP-
4A150051AA	UE N 1	CART VIEW FINDER
4A150407AA	UE N 1	CART FILTER DEMOD
4A150412AA	UE N 1	CART REAR CONTROL
29293270	P 3	ENTT ENMET12 LG.14
4A150415AA	UE N 1	CART MOTHER BOARD 1707
16518779AA	NT F 1	CARP TRAITEMENT NUM COMMUT 525L
16518778AA	P 1	CIUP TRAITEMENT NUM COMMUT 525L
46150418BA	UE N 1	CART NTSC1 ENCODER
4A033347AA	UE N 1	CART MPU BOARD NTSC -MP-
4A150615AA	UE N 1	CART DIGITAL PROCESS DAUGHTER
4C150400BA	UE N 1	CART ANALOG PROCESS
4D150401BA	UE N 1	CART DIGITAL PROCESS NTSC
39964892AA	P 1	RENFORT EPAULIERE
46150413AA	UE F 1	CART POWER SUPPLY 1707
46152787AC	P 1	BLINDAGE ALIM
46152865AA	F 1	KIT MECA BLOC TRAITEMENT
46152875AA	P 1	*** GLISSIERE SUP EQUIPEE
46152876AA	P 1	*** GLISSIERE INF.EQUIPEE
46152932AB	P 1	CABL MICROCOAX MCX CARTE
46153264AA	P 1	CABLES FLEX PLIES 1707
46152866AA	A 1	EPAULIERE
46152874AA	N 1	CORPS DE CAMERA EQUIPE
46152850AB	P 1	CORPS DE CAMERA PEINT
46153165AA	P 1	LOT ETIQUETTES CHASSIS
46152877AA	N 1	POIGNEE EQUIPEE
46152851AA	P 1	POIGNEE PEINTE
46152944AA	P 1	*** ENS. AXE DE VISEUR
46153271AA	G 1	KIT LOT ACCESSOIRES 1707
46153322AA	N 1	MONTAGE ATTACHE CABLE
46153284AA	N 1	KIT DE MONTAGE MECANIQUE
46152883AB	F 1	PORTE GAUCHE EQUIPEE
46152871AB	P 1	PORTE GAUCHE PEINTE
46153413AA	P 1	SUPPORT BUTE CART EQUIPE
46152884AB	F 1	PORTE DROITE EQUIPEE
46152872AB	P 1	PORTE DROITE PEINTE
47033339AC	UF F 1	BANA FIT 16/9 1657D 525 MANU NFF

B1707M63DB

TTV 1707 FIT 16/9 NTSC MANU

1A518764AB	NT F	1	CARP BLOC ANALYSE 16/9 NUM 525L
1E518690AF	P	1	CIUP BLOC ANALYSE 16/9 MAT
46150619BA	UE N	1	CART SAMPLE AND HOLD 16/9 100OPTS
47032487	UE N	2	CART SOCKET FIT 16/9 VERT ROUGE
47033338AA	UE N	1	CART TIMING FIT 16/9 NUM 525L
4A150066	UE N	1	CART SOCKET FIT 16/9
4A150394	UE N	1	CART DRIVER FIT 16/9/4:3
47018058	NT F	1	KIT2 CABL ET MECA BLOC ANALYSE 1657
47033869AA	F	1	ETIM 20X05 'CCD TYPE 19'
47033696AA	N	1	ETIM ETIQUETTE PRODUIT CE
B1707M00LB	G	1	NOT. OPER&INSTAL MANUAL FR/ENG 1707
CONFIGPV	G	1	CONFIGURATION PRISE DE VUE

FIN DE L'ARBORESCENCE

B1707E64AB

TTV 1707 FIT 1250PTS PAL ELEC

B1707E64AB	PE G	TTV 1707 FIT 1250PTS PAL ELEC
39965513	P 1	TRIPOD ATTACHMENT 1657
39965510	R 1	SEMELLE
46152900AA	UP F 1	BLOC TRAITEMENT 1707 PAL
16518744AA	NT F 1	CARP PANEL TRAITEMENT 1707
16518743AA	P 1	CIUP PANEL TRAITEMENT 1707
46150055	UE N 1	CART LENS
46150406AA	UE N 1	CART DIGITAL AUDIO -MP-
4A150051AA	UE N 1	CART VIEW FINDER
4A150407AA	UE N 1	CART FILTER DEMOD.
4A150412AA	UE N 1	CART REAR CONTROL
29293270	P 3	ENTT ENMET12 LG.14
4A150415AA	UE N 1	CART MOTHER BOARD 1707
16518772AA	NT F 1	CARP TRAITEMENT NUMERIQUE COMMUT
16518771AA	P 1	CIUP TRAITEMENT NUMERIQUE COMMUT
46150639AA	UE N 1	CART PAL ENCODER 1 -MP-
4A150615AA	UE N 1	CART DIGITAL PROCESS DAUGHTER
4C150400BA	UE N 1	CART ANALOG PROCESS
4C150403AA	UE N 1	CART MPU BOARD -MP-
4D150401AA	UE N 1	CART DIGITAL PROCESS MOTHER
39964892AA	P 1	RENFORT EPAULIERE
46150413AA	UE F 1	CART POWER SUPPLY 1707
46152787AC	P 1	BLINDAGE ALIM
46152865AA	F 1	KIT MECA BLOC TRAITEMENT
46152875AA	P 1	*** GLISSIERE SUP EQUIPEE
46152876AA	P 1	*** GLISSIERE INF EQUIPEE
46152932AB	P 1	CABL MICROCOAX MCX CARTE
46153264AA	P 1	CABLES FLEX PLIES 1707
46152866AA	A 1	EPAULIERE
46152874AA	N 1	CORPS DE CAMERA EQUIPE
46152850AB	P 1	CORPS DE CAMERA PEINT
46153165AA	P 1	LOT ETIQUETTES CHASSIS
46152877AA	N 1	POIGNEE EQUIPEE
46152851AA	P 1	POIGNEE PEINTE
46152944AA	P 1	*** ENS. AXE DE VISEUR
46153135AA	UP F 1	ENSEMBLE MIC INTERCOM TUCHEL
46153283AA	P 1	CABL PLIE MIC INTERCOM
4A150411AA	UE F 1	CART MIC/INTERCOM
46153137AA	UP F 1	ENSEMBLE TRIAX LEMO
46152933AB	P 1	CABL MICROCOAX MCX TRIAX
46153285AB	P 1	CABL PLIE TRIAX
4A150410AA	UE F 1	CART TRIAX ADAPTOR
46153184AA	P 1	EMBL CARTON 1707
46153271AA	G 1	KIT LOT ACCESSOIRES 1707
46153322AA	N 1	MONTAGE ATTACHE CABLE
46153284AA	N 1	KIT DE MONTAGE MECANIQUE
46152883AB	F 1	PORTE GAUCHE EQUIPEE
46152871AB	P 1	PORTE GAUCHE PEINTE
46153413AA	P 1	SUPPORT BUTE CART EQUIPE
46152884AB	F 1	PORTE DROITE EQUIPEE
46152872AB	P 1	PORTE DROITE PEINTE
47033567AA	UP F 1	BANA 1250 FIT 16/9 PAL MOTO

B1707E64AB

TTV 1707 FIT 1250PTS PAL ELEC

16518770AA	NT F	1	CARP ANALYSE 1250 POINTS FIT 16/9
16518769AA	P	1	CIUP ANALYSE 1250 POINTS FIT 16/9
46150605AA	UE N	1	CART TIMING FIT 1200 POINTS
46150606AA	UE N	1	CART DRIVERS FIT 16/9 1200 PTS
46150607AA	UE N	2	CART SOCKET RED/GREEN 1200PTS
46150617AA	UE N	1	CART SOCKET BLEU 1200PTS
46150619AA	UE N	1	CART SAMPLE AND HOLD 1200POINTS
47018056	NT F	1	KIT2 CABL ET MECA BLOC ANALYSE 1657
47033621AA	F	1	ETIM 20X05 'CCD TYPE 16'
47033696AA	N	1	ETIM ETIQUETTE PRODUIT CE
B1707M00LB	G	1	NOT. OPER&INSTAL MANUAL FR/ENG 1707
CONFIGPV	G	1	CONFIGURATION PRISE DE VUE

FIN DE L'ARBORESCENCE

B1707M64AB

TTV 1707 FIT 1250PTS PAL MANU

B1707M64AB	PE G	TTV 1707 FIT 1250PTS PAL MANU
39965513	P 1	TRIPOD ATTACHMENT 1657
39965510	R 1	SEMELLE
46152900AA	UF F 1	BLOC TRAITEMENT 1707 PAL
16518744AA	NT F 1	CARP. PANEL TRAITEMENT 1707
16518743AA	P 1	CIUP PANEL TRAITEMENT 1707
46150055	UE N 1	CART LENS
46150406AA	UE N 1	CART DIGITAL AUDIO -MP-
4A150091AA	UE N 1	CART VIEW FINDER
4A150407AA	UE N 1	CART FILTER DEMOD
4A150412AA	UE N 1	CART REAR CONTROL
29293270	P 3	ENTT ENMET12 LG.14
4A150415AA	UE N 1	CART MOTHER BOARD 1707
16518772AA	NT F 1	CART TRAITEMENT NUMERIQUE COMMUT
16518771AA	P 1	CIUP TRAITEMENT NUMERIQUE COMMUT
46150639AA	UE N 1	CART PAL ENCODER 1-AMP-
4A150615AA	UE N 1	CART DIGITAL PROCESS DAUGHTER
4C150400BA	UE N 1	CART ANALOG PROCESS
4C150403AA	UE N 1	CART MPU BOARD -AMP-
4D150401AA	UE N 1	CART DIGITAL PROCESS MOTHER
39964892AA	P 1	RENFORT EPAULIERE
46150413AA	UE F 1	CART POWER SUPPLY 1707
46152787AC	P 1	BLINDAGE ALIM
46152865AA	F 1	KIT MECA BLOC TRAITEMENT
46152875AA	P 1	*** GLISSIERE SUP EQUIPEE
46152876AA	P 1	*** GLISSIERE INF.EQUIPEE
46152932AB	P 1	CABL MICROCOAX MCX CARTE
46153264AA	P 1	CABLES FLEX PLIES 1707
46152866AA	A 1	EPAULIERE
46152874AA	N 1	CORPS DE CAMERA EQUIPE
46152850AB	P 1	CORPS DE CAMERA PEINT
46153165AA	P 1	LOT ETIQUETTES CHASSIS
46152877AA	N 1	POIGNEE EQUIPEE
46152851AA	P 1	POIGNEE PEINTE
46152944AA	P 1	*** ENS. AXE DE VISEUR
46153135AA	UF F 1	ENSEMBLE MIC INTERCOM TUCHEL
46153283AA	P 1	CABL PLIE MIC INTERCOM
4A150411AA	UE F 1	CART MIC/INTERCOM
46153137AA	UF F 1	ENSEMBLE TRIAX LENO
46152933AB	P 1	CABL MICROCOAX MCX TRIAX
46153285AB	P 1	CABL PLIE TRIAX
4A150410AA	UE F 1	CART TRIAX ADAPTOR
46153184AA	P 1	EMBL CARTON 1707
46153271AA	G 1	KIT LOT ACCESSOIRES 1707
46153322AA	N 1	MONTAGE ATTACHE CABLE
46153284AA	N 1	KIT DE MONTAGE MECANIQUE
46152883AB	F 1	PORTE GAUCHE EQUIPEE
46152871AB	P 1	PORTE GAUCHE PEINTE
46153413AA	P 1	SUPPORT BUTE CART EQUIPE
46152884AB	F 1	PORTE DROITE EQUIPEE
46152872AB	P 1	PORTE DROITE PEINTE
47033568AA	UF F 1	BANA 1250 FIT 16/9 PAL MANUEL

B1707M64AB

TTV 1707 FIT 1250PTS PAL MANU

16518770AA	NT F	1	CART ANALYSE 1250 POINTS FIT 16/9
16518769AA	P	1	CIUP ANALYSE 1250 POINTS FIT 16/9
46150605AA	UE N	1	CART TIMING FIT 1200 POINTS
46150606AA	UE N	1	CART DRIVERS FIT 16/9 1200 PTS
46150607AA	UE N	2	CART SOCKET RED/GREEN 1200PTS
46150617AA	UE N	1	CART SOCKET BLEU 1200PTS
46150619AA	UE N	1	CART SAMPLE AND HOLD 1200POINTS
47018056	NT F	1	KIT2 CABL ET MECA BLOC ANALYSE 1657
47033621AA	F	1	ETIM 20X05 'CCD TYPE 16'
47033696AA	N	1	ETIM ETIQUETTE PRODUIT CE
B1707M00LB	G	1	NOT. OPER&INSTAL MANUAL FR/ENG 1707
CCNFIGPV	G	1	CONFIGURATION PRISE DE VUE

FIN DE L'ARBORESCENCE

700PTS ANALYSIS BLOCK IT 4/3

- 700PTS IT 4/3 CCD UNIT - 1C518761AC - 625L

DESIGNATION	Schematic Diagrams	Layout Diagrams	Parts lists
INTERCONNECTION	WDO		
TIMING P.C.B	47033303/A	47033303	47033303AA
DRIVER P.C.B.	4A150300/B	4A150300	4A150300
SAMPLE AND HOLD P.C.B.	46150665/B	46150619	46150619CA
SOCKET GREEN RED P.C.B.	4A032649/A	4A032649	4A032649AA
SOCKET BLUE P.C.B.	47032304/A	4A032304	4A032304AA

- 700 PTS IT 4/3 CCD UNIT - 1B518765AB - 525L

DESIGNATION	Schematic Diagrams	Layout Diagrams	Parts lists
INTERCONNECTION	WDO		
TIMING P.C.B	47033341/A	47033341	47033341AA
DRIVER P.C.B.	47032975/A	47032975	47032975
SAMPLE AND HOLD P.C.B.	46150665/B	46150619	46150619CA
SOCKET GREEN RED P.C.B.	4A032649/A	4A032649	4A032649AA
SOCKET BLUE P.C.B.	4A032304/A	4A032304	4A032304AA

1000PTS ANALYSIS BLOCK FIT 4/3 16/9

- 1000PTS FIT 4/3 16/9 CCD UNIT - 1E518758AF - 625L

DESIGNATION	Schematic Diagrams	Layout Diagrams	Parts lists
INTERCONNECTION	WDO		
TIMING P.C.B	4B033255/A	4B033255	4B033255AA
DRIVER P.C.B.	4A150394/C	4A150394	4A150394
SAMPLE AND HOLD P.C.B.	46150664/E	46150619	46150619BA
SOCKET GREEN RED P.C.B.	47032487/C	47032487	47032487
SOCKET BLUE P.C.B.	4A150066/B	4A150066	4A150066

- 1000PTS FIT 4/3 16/9 CCD UNIT - 1A518764AB - 525L

DESIGNATION	Schematic Diagrams	Layout Diagrams	Parts lists
INTERCONNECTION	WDO		
TIMING P.C.B	47033338AA/A	47033338	47033338AA
DRIVER P.C.B.	4A150394/C	4A150394	4A150394
SAMPLE AND HOLD P.C.B.	46150664/E	46150619	46150619BA
SOCKET GREEN RED P.C.B.	47032487/C	47032487	47032487
SOCKET BLUE P.C.B.	4A150066/B	4A150066	4A150066

1000 PTS ANALYSIS BLOCK IT 16/9

- 1000 PTS IT 16/9 CCD UNIT - 16518776AA - 625L

DESIGNATION	Schematic Diagrams	Layout Diagrams	Parts lists
INTERCONNECTION	WDO		
TIMING P.C.B	4A150641/B	46150637	4A150641AA
DRIVER P.C.B.	46150637/B	46150637	4A150637AA
SAMPLE AND HOLD P.C.B.	46150664/E	46150619	46150619BA
SOCKET RGB P.C.B.	4A150634/A	46150634	4A150634AA

- 1000 PTS IT 16/9 CCD UNIT - 16518776BA - 525L

DESIGNATION	Schematic Diagrams	Layout Diagrams	Parts lists
INTERCONNECTION	WDO		
TIMING P.C.B	4A150641/B	4A150641	4A150641BA
DRIVER P.C.B.	46150637/B	4A150637	4A150637AA
SAMPLE AND HOLD P.C.B.	46150664/E	46150619	46150619BA
SOCKET RGB P.C.B.	4A150634/A	4A150634	4A150634AA

1250 PTS ANALYSIS BLOCK FIT 16/9

- 1250 PTS FIT 16/9 CCD UNIT - 16518770AA - 625L

DESIGNATION	Schematic Diagrams	Layout Diagrams	Parts lists
INTERCONNECTION	WD0 (1/1)		
TIMING P.C.B	46150605/A	46150605	46150605AA
DRIVER P.C.B.	46150606/B	46150606	46150606AA
SAMPLE AND HOLD P.C.B.	46150667/C	46150619	46150619AA
SOCKET GREEN RED P.C.B.	46150607/A	46150607	46150607AA
SOCKET BLUE P.C.B.	46150617/A	46150617	46150617AA

- 1250 PTS FIT 16/9 CCD UNIT - (RESERVED) - 525L

PROCESSING UNIT 625L

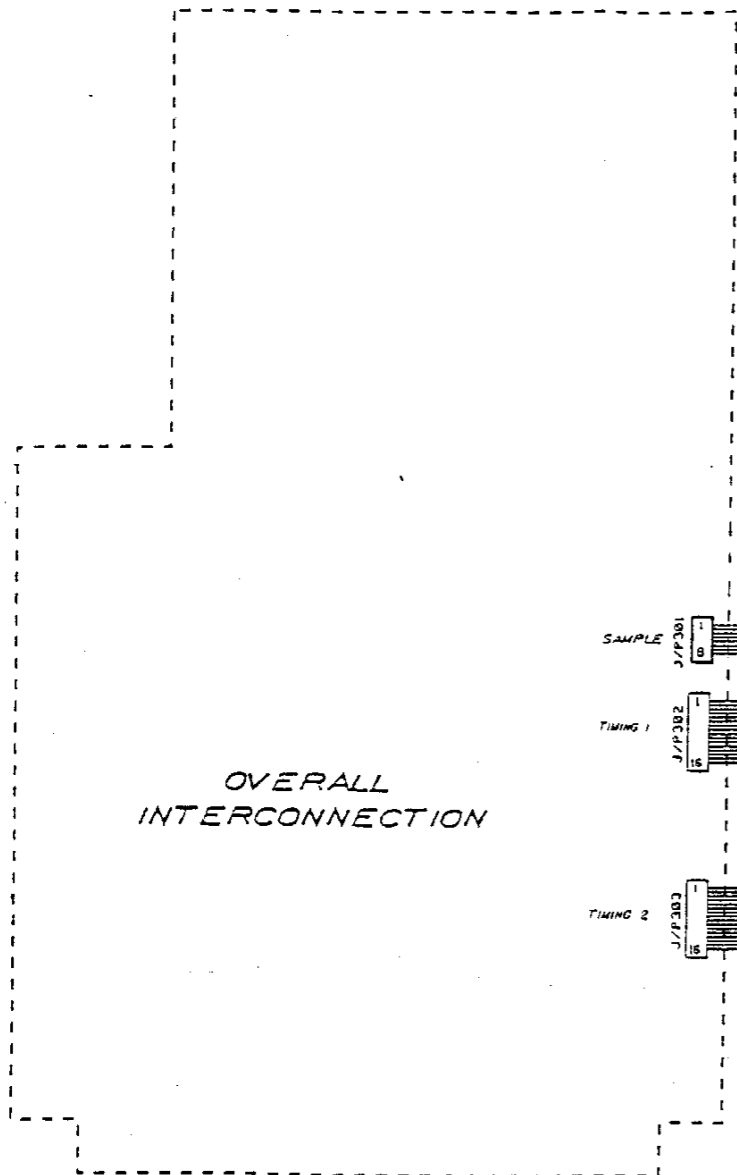
- PROCESSING UNIT - 625L - 16518744AA

DESIGNATION	
OVERALL INTERCONNECTION 46150416/B	WD60 (1/4 TO 4/4)
MOTHER BOARD P. C. B. 4A150415AA/B	SD61 (1/5 TO 5/5) LD61 (1/2 TO 2/2)
MPU P. C. B. 4C150403AA/B	SD62 (1/9 TO 9/9) LD62 (1/2 TO 2/2)
ANALOG PROCESS P.C.B. 4C150400BA/C	SD63 V2 (1/5 TO 5/5) LD63 V2 (1/2 TO 2/2)
DIGITAL PROCESS 1 MOTHER P.C.B. 4D150401AA/B	SD64M (1/8 TO 8/8) LD64M (1/2 TO 2/2)
DIGITAL PROCESS 1 DAUGHTER P.C.B. 4A150615AA/B	SD64D (1/3 TO 3/3) LD64D (1/1)
PAL1 ENCODER P.C.B. 46150639AA/C	SD65 V2 (1/4 TO 4/4) LD65 V2 (1/2 TO 2/2)
DIGITAL AUDIO P.C.B 46150406AA/C	SD66 (1/3 TO 3/3) LD66 (1/2 TO 2/2)
FILTER DEMOD P.C.B 4A150407AA/E	SD67 (1/2 TO 2/2) LD67 (1/2 TO 2/2)
PROMPTER (OPTION) P.C.B. 4A150408AA/C	SD68 (1/1) LD68 (1/2 TO 2/2)
MIC INTERCOM P.C.B. 4A150411AA/B	SD69 (1/2 TO 2/2) LD69 (1/1)
TRIAX ADAPTOR P.C.B. 4A150410AA/A	SD70 (1/1) LD70 (1/1)
REAR CONTROL P.C.B. 4A150412AA/A	SD71 (1/1) LD71 (1/1)
POWER SUPPLY P.C.B. 46150413AA/B	SD72 (1/3 TO 3/3) LD72 (1/1)
VIEWFINDER P.C.B. 4A150051AA/A	SD73 (1/1) LD73 (1/1)
LENS P.C.B. 46150055/B	SD74 (1/1) LD74 (1/1)
FILTER WHEELS P.C.B.	SD75 (1/1)
TOOLS (MAINTENANCE) P.C.B. 4A150409AA/B	SD76 (1/2 TO 2/2) LD76 (1/2 TO 2/2)

PROCESSING UNIT 525L

- PROCESSING UNIT - 16518744AA / 16518755AA -

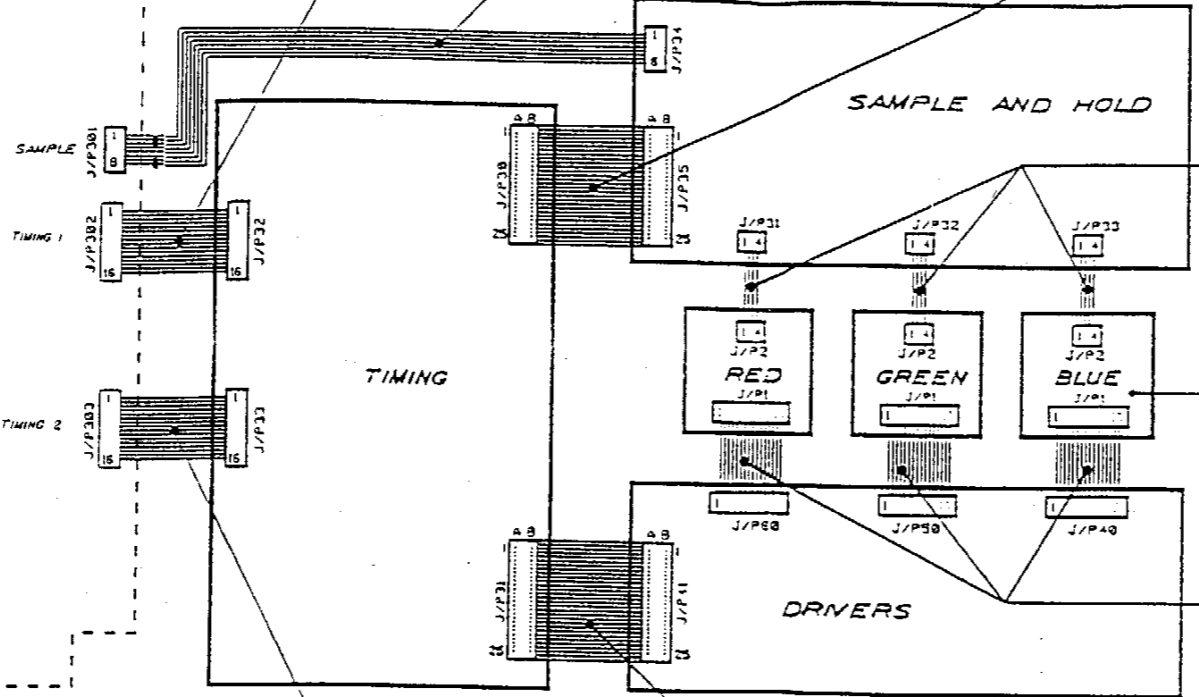
DESIGNATION	
OVERALL INTERCONNECTION 46150416/B	WD60 (1/4 TO 4/4)
MOTHER BOARD P.C.B. 4A150415AA/B	SD61 (1/5 TO 5/5) LD61 (1/2 TO 2/2)
NTSC MPU P. C. B. 47033347AA/D	SD62N (1/9 TO 9/9) LD62N (1/2 TO 2/2)
ANALOG PROCESS P.C.B. (AP) 4A150400/H	SD63 (1/5 TO 5/5) LD63 (1/1)
ANALOG PROCESS P.C.B. (AP1) 4C150400BA/C	SD63 V2 (1/5 TO 5/5) LD63 V2 (1/2 TO 2/2)
DIGITAL PROCESS 1 MOTHER P.C.B. (DP1) 4D150401AA/B	SD64M (1/8 TO 8/8) LD64M (1/2 TO 2/2)
DIGITAL PROCESS 1 DAUGHTER P.C.B. (DP1) 4A150615AA/B	SD64D (1/3 TO 3/3) LD64D (1/1)
DIGITAL PROCESS NTSC P.C.B. (DP) 47033346AA/D	SD64N (1/11 TO 11/11) LD64 (1/2 TO 2/2)
NTSC & NTSC1 ENCODER P.C.B. (DP&DP1) 46150418AA/E 46150418BA	SD65N (1/4 TO 4/4) LD65N (1/1)
DIGITAL AUDIO P.C.B 46150406AA/C	SD66 (1/3 TO 3/3) LD66 (1/2 TO 2/2)
FILTER DEMOD P.C.B 4A150407AA/D	SD67 (1/2 TO 2/2) LD67 (1/2 TO 2/2)
PROMPTER (OPTION) P.C.B. 4A150408AA/C	SD68 (1/1) LD68 (1/2 TO 2/2)
MIC INTERCOM P.C.B. 4A150411AA/B	SD69 (1/2 TO 2/2) LD69 (1/1)
TRIAx ADAPTOR P.C.B. 4A150410AA/A	SD70 (1/1) LD70 (1/1)
REAR CONTROL P.C.B. 4A150412AA/A	SD71 (1/1) LD71 (1/1)
POWER SUPPLY P.C.B. 46150413AA/B	SD72 (1/3 TO 3/3) LD72 (1/1)
VIEWFINDER P.C.B. 4A150051AA/A	SD73 (1/1) LD73 (1/1)
LENS P.C.B. 46150055/B	SD74 (1/1) LD74 (1/1)
FILTER WHEELS P.C.B.	SD75 (1/1)
TOOLS (MAINTENANCE) P.C.B. 4A150409AA/B	SD76 (1/2 TO 2/2) LD76 (1/2 TO 2/2)



1	GND
2	OH
3	OV
4	FLO
5	CLP.1
6	CLP.2
7	SSL.S
8	SSL.S
9	MISO
10	MOSI
11	SCK
12	SS0.S
13	(RESERVED) TEMP
14	CK29_B/RET/REVEN
15	CK29_B/RET/REVEN
16	GND

1	
2	RET_RGB
3	GREEN
4	RET_RGB
5	RED
6	RET_RGB
7	BLUE
8	RET_RGB

A1	-5VB
B1	-5VB
A2	GND
B2	GND
A3	-5VB
B3	-5VB
A4	GND
B4	GND
A5	SMP
B5	SMP
A6	SMD
B6	SMD
A7	SMS
B7	SMS
A8	BLK TRANSFER
B8	BLK TRANSFER
A9	R CORR PIX
B9	R CORR PIX
A10	V CORR PIX
B10	V CORR PIX
A11	B CORR PIX
B11	B CORR PIX
A12	MARG
B12	MARG
A13	
B13	
A14	
B14	
A15	
B15	
A16	
B16	
A17	
B17	
A18	
B18	
A19	
B19	
A20	
B20	
A21	
B21	
A22	
B22	
A23	
B23	
A24	
B24	
A25	
B25	



1	GND
2	VIDEO CCD
3	GND
4	GND

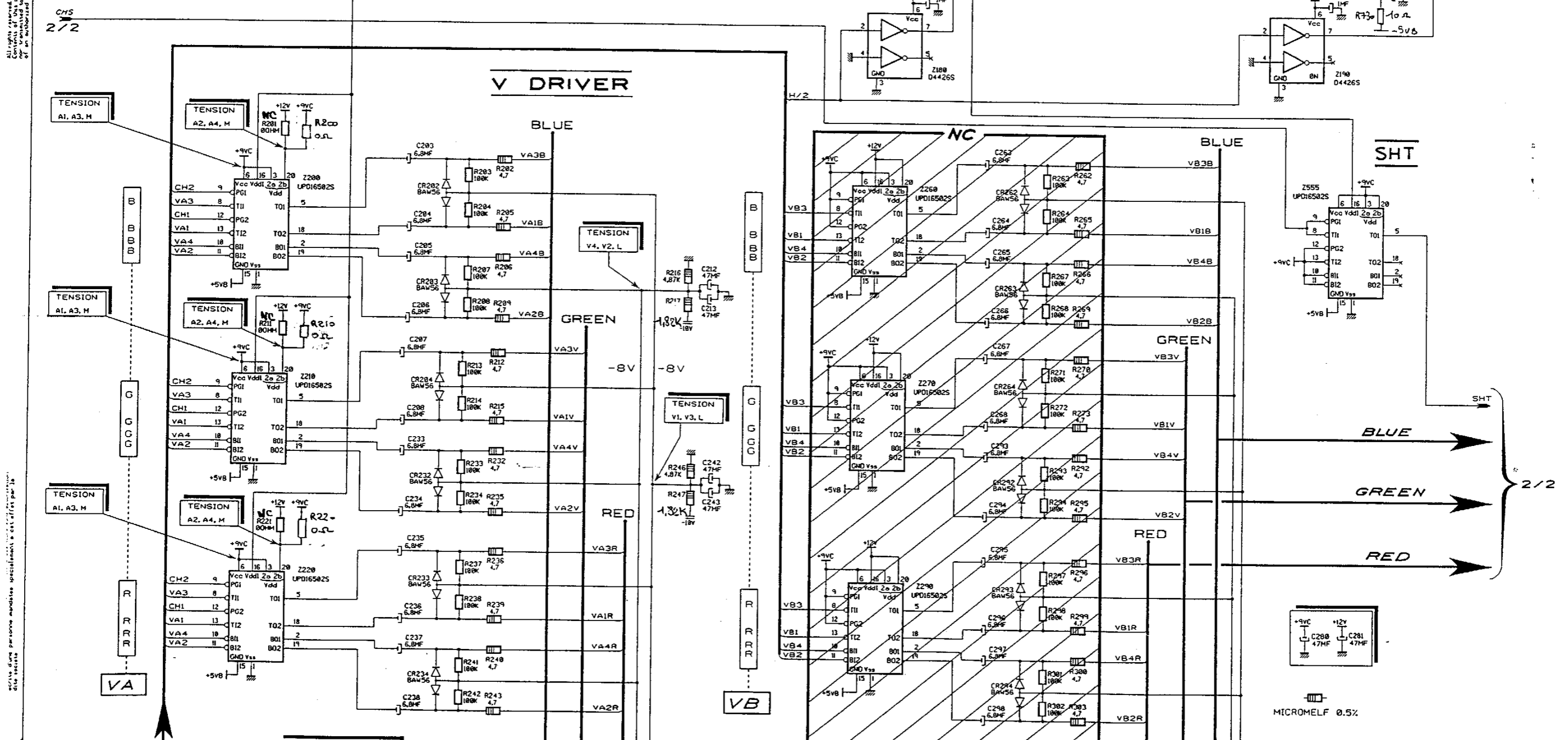
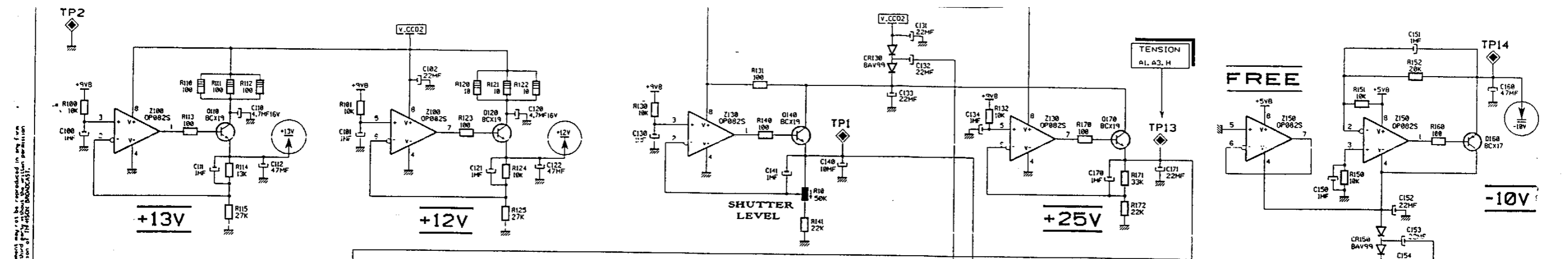
1	V_CCD1
2	RST
3	VA1
4	VA2
5	VA3
6	VA4
7	GND
8	H1
9	H2
10	GND
11	(RESERVED) VB1
12	(RESERVED) VB2
13	(RESERVED) VB3
14	(RESERVED) VB4
15	SUB
16	GND
17	VBL.1
18	GND

1	-15V.A
2	RST
3	V87/8
4	V85/5
5	V83/4
6	V81/2
7	V84/8
8	V83/7
9	V82/5
10	V81/5
11	SUB
12	GND
13	H1
14	H2
15	GND
16	V8L.2
17	V8L.1
18	GND

1	VCCD/1
2	VCCD/2
3	-9VB
4	-5V_DIGITAL
5	-5VB/1
6	-5VB/2
7	-5VB/1
8	-5VB/2
9	GND
10	GND
11	-12V_BATT
12	-12V_BATT
13	-12V_BATT
14	-8ATT
15	-8ATT
16	-8ATT

A1	-5VB
B1	-5VB
A2	GND
B2	GND
A3	-5VB
B3	-5VB
A4	GND
B4	GND
A5	-4VC
B5	-4VC
A6	-15V.A
B6	-15V.A
A7	-15V.B
B7	-15V.B
A8	-9VB
B8	-9VB
A9	
B9	
A10	PG
B10	
A11	H1
B11	H1
A12	CH1
B12	V84
A13	V84
B13	V83
A14	V83
B14	V82
A15	V82
B15	V81
A16	V81
B16	CH2
A17	CH5
B17	PS
A18	H/2
B18	
A19	
B19	
A20	
B20	
A21	
B21	
A22	
B22	
A23	
B23	
A24	GND
B24	GND
A25	GND
B25	GND

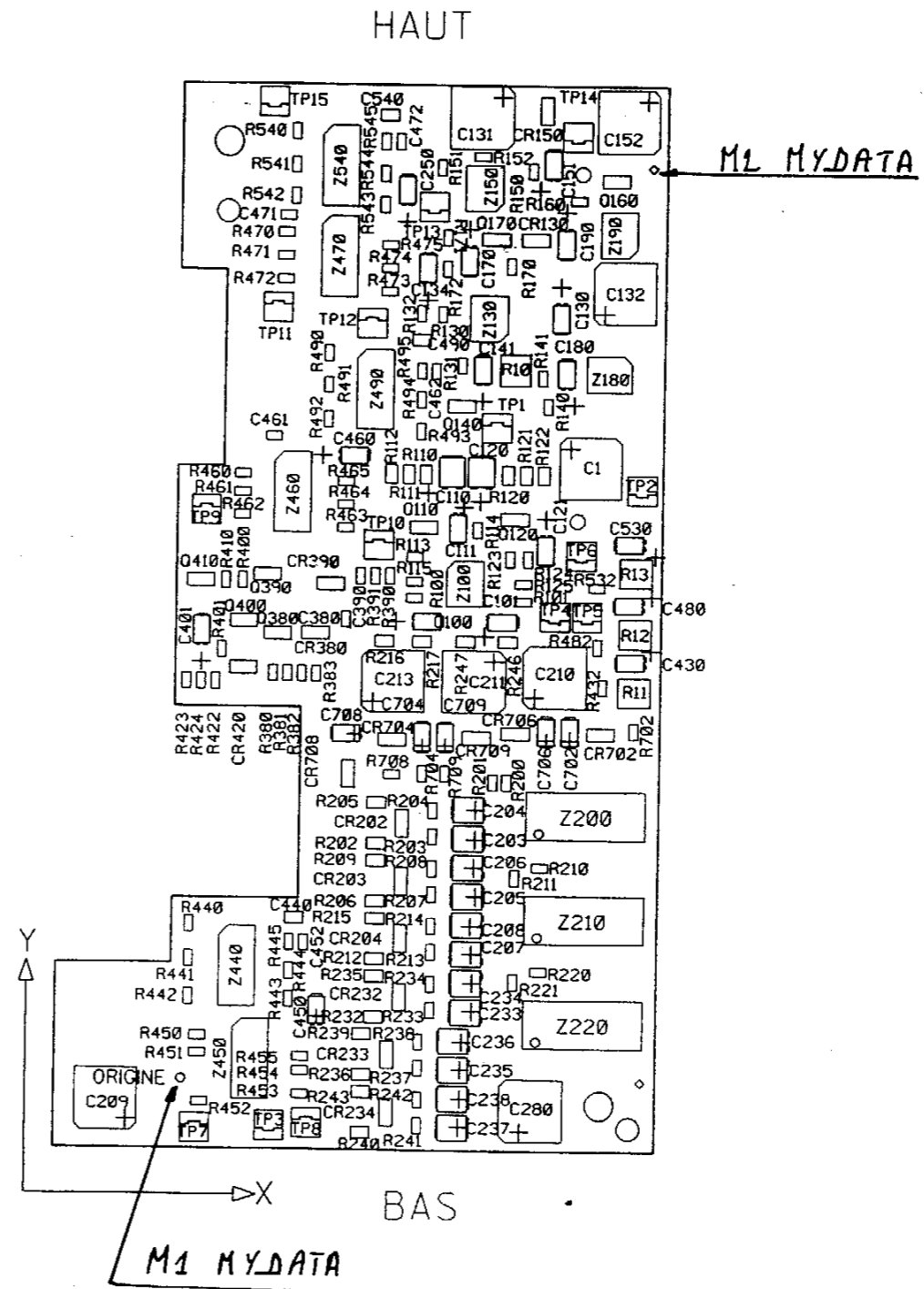
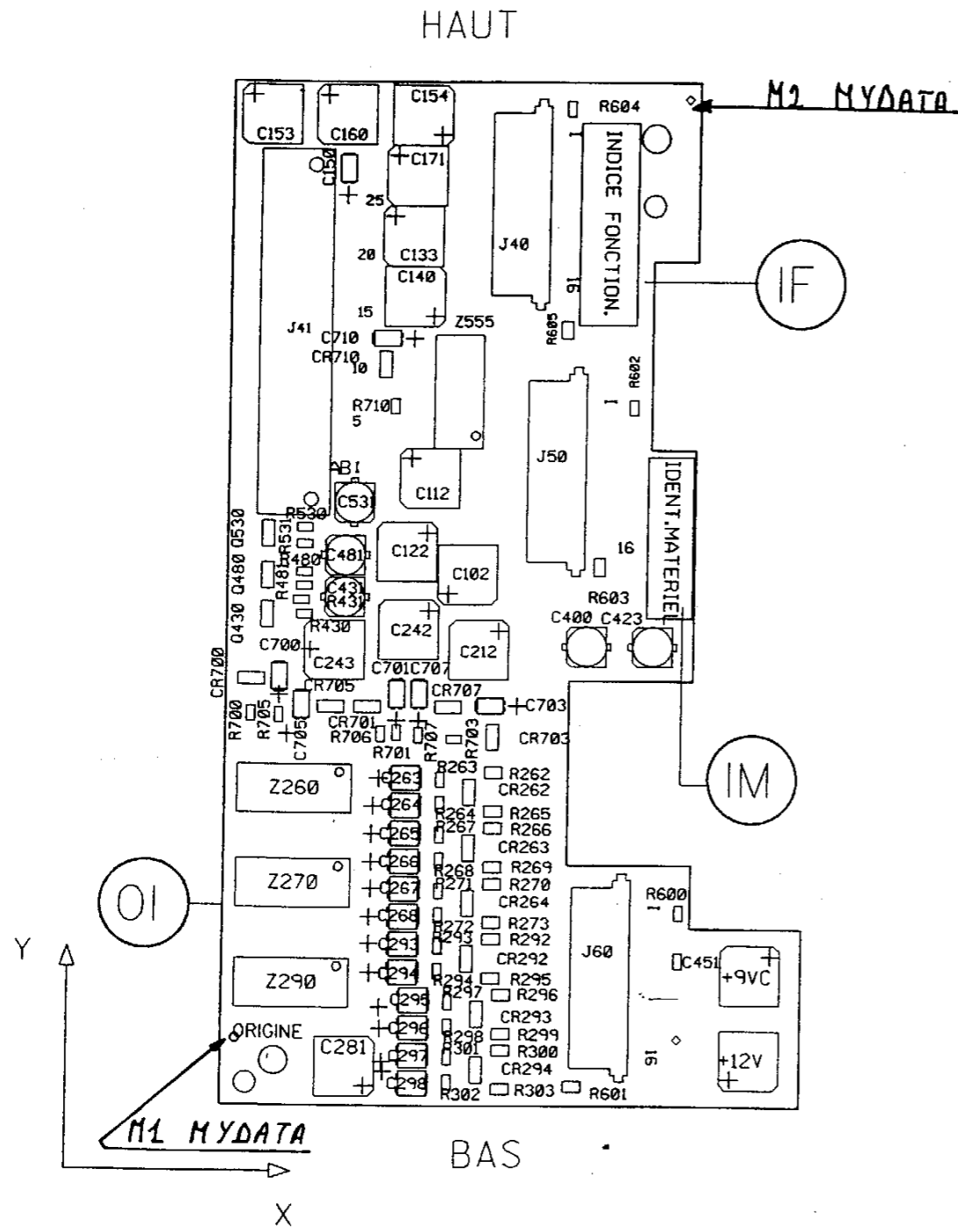
WDO 1/1		CAMERA			
THOMSON		INTERCONNECTION			
DRAWING NO	REV	CODE	SHEET	BLOCK	
		050	01/01		



All rights reserved. No part of this document may be reproduced, stored in a retrieval system, or transmitted in any form or by any means, electronic, mechanical, photocopying, recording, or by any information storage and retrieval system, without the prior written permission of an authorized person of THOMSON.

Toute donnée personnelle mentionnée spécialement est classifiée "Secret".

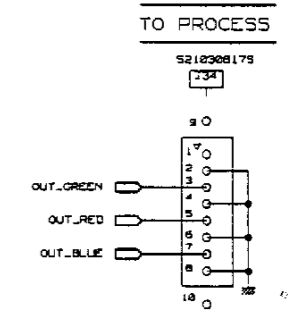
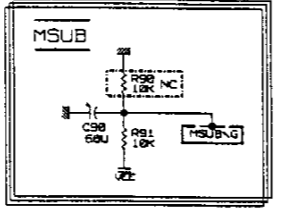
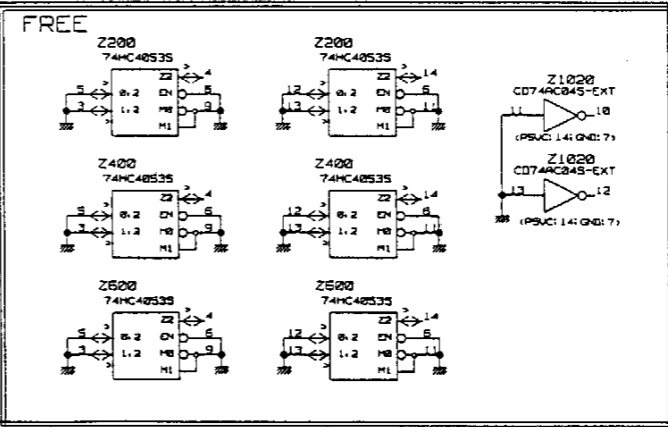
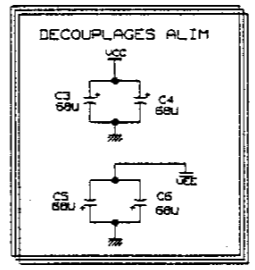
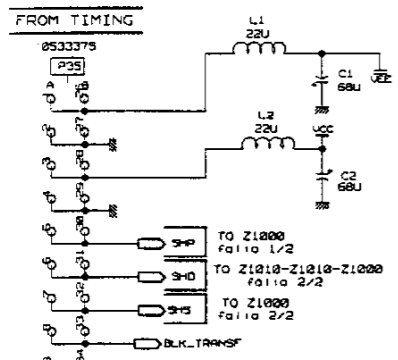
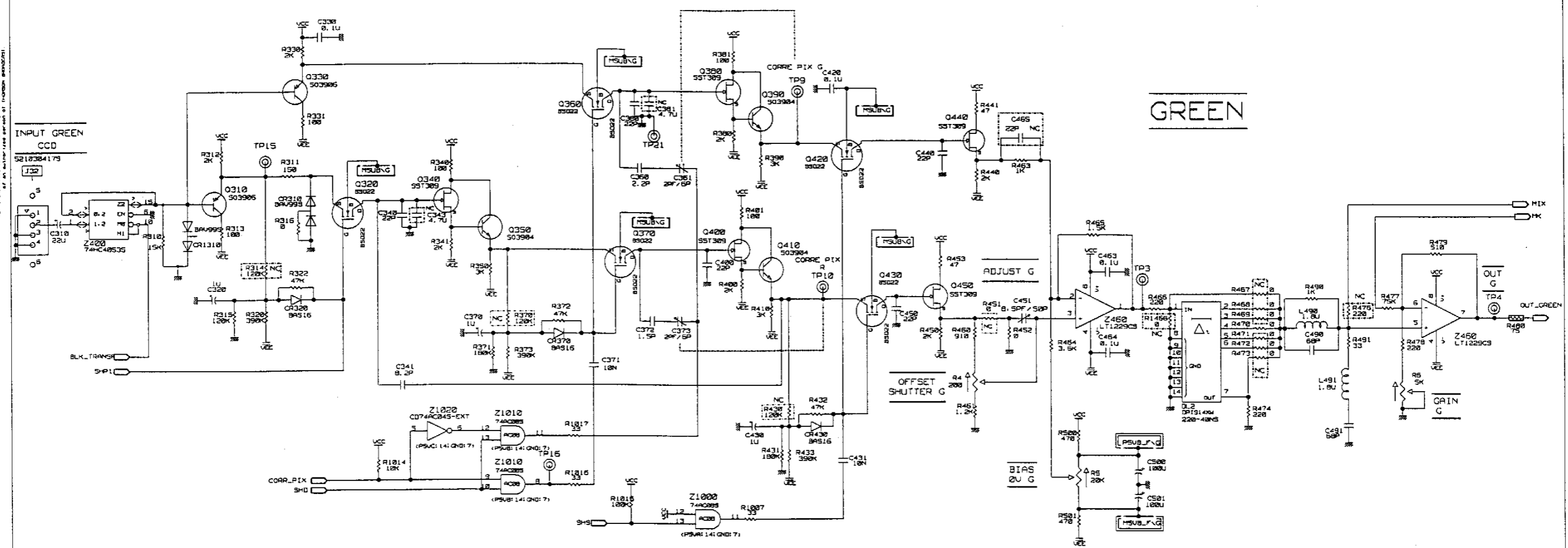
CAMERA			
DRIVER IT 4/3			
THOMSON	4A150300	030	01/02



CAMERA					
TITLE					
DRIVER IT 4/3					
THOMSON	DRAWING NO	REV	CODE	SHEET	BLOCK
	4A150300		046	01/01	

GREEN

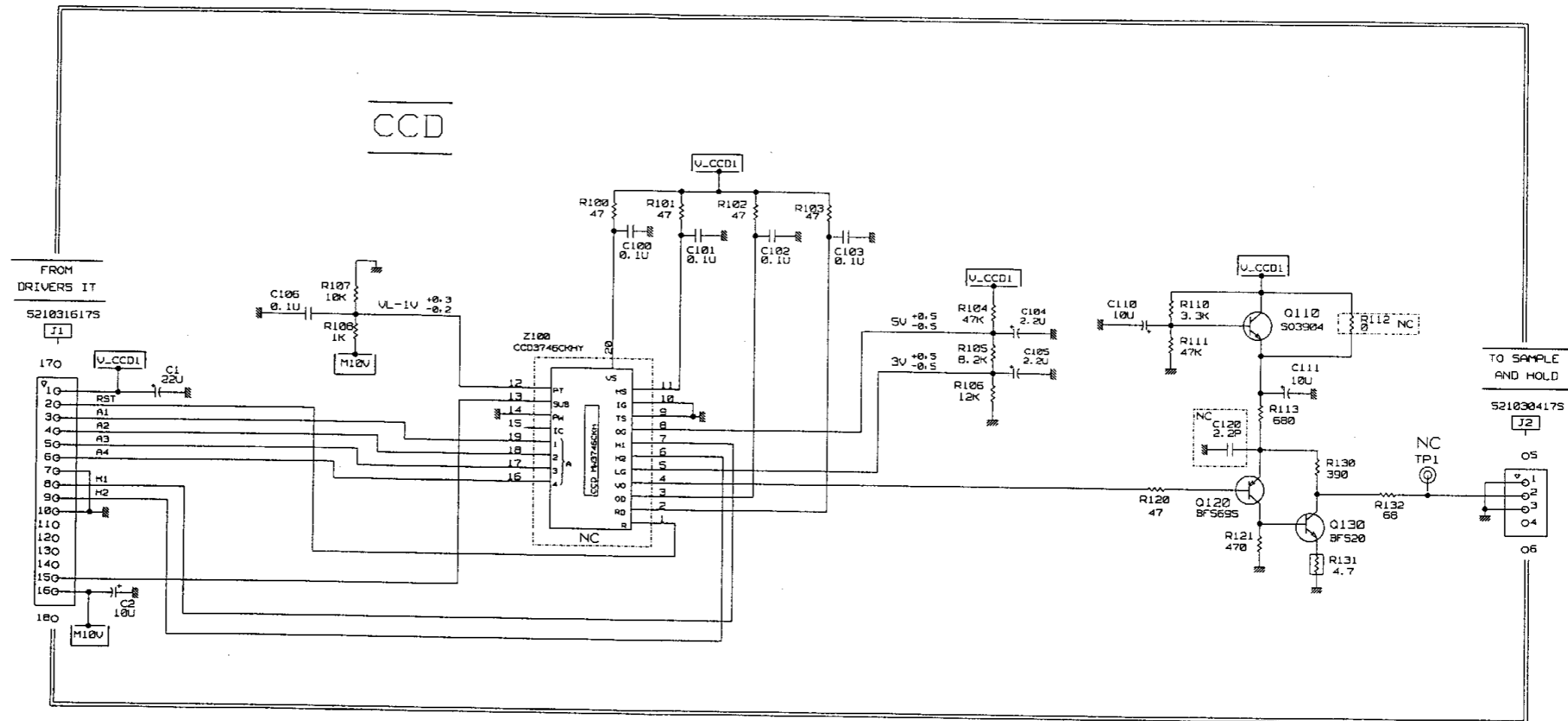
ALL RIGHTS RESERVED.
 THIS DRAWING IS THE PROPERTY OF THOMSON BROADCAST AND SHALL BE KEPT IN CONFIDENTIALITY.
 NO PART OF THIS DRAWING IS TO BE REPRODUCED OR TRANSMITTED IN ANY FORM OR BY ANY MEANS, ELECTRONIC OR MECHANICAL, INCLUDING PHOTOCOPYING, RECORDING, OR BY ANY INFORMATION STORAGE AND RETRIEVAL SYSTEM.



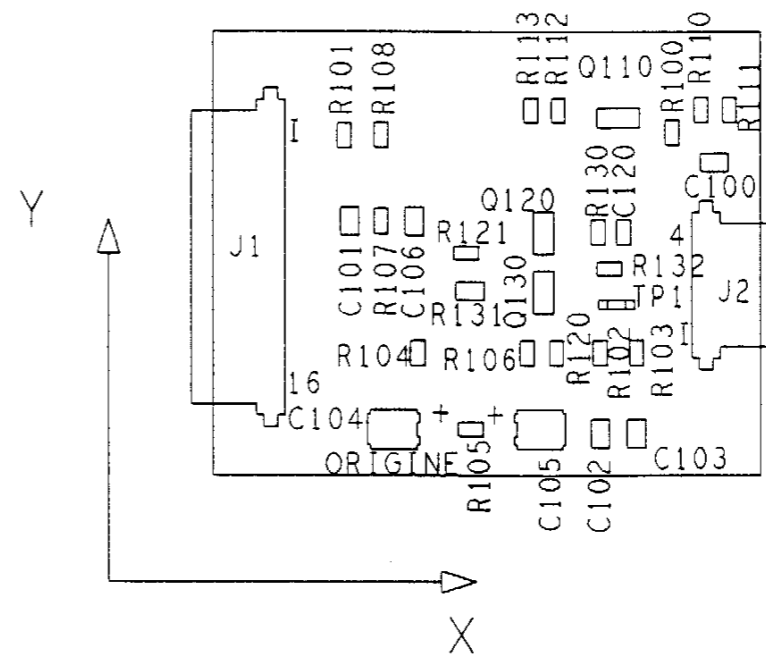
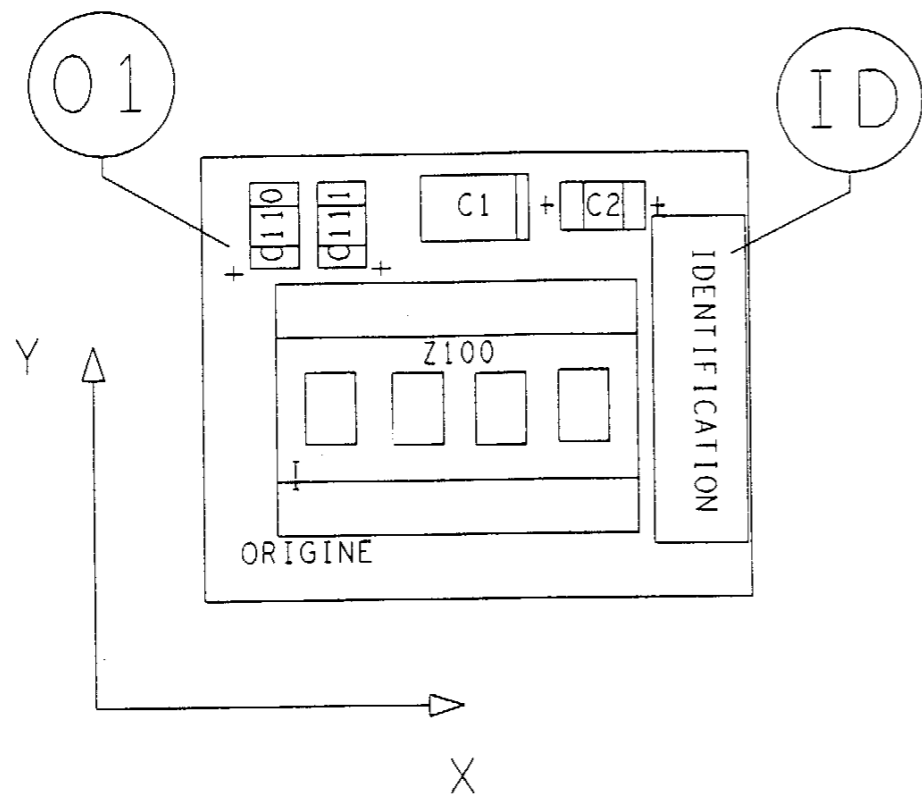
VCC = +5V
 VEE = -5V

TTU1657			
TITLE SAMPLE AND HOLD			
IT 4:3 700 pts			
20-00-98	DRAWING No.	REV. CODE	SHEET BLOCK
THOMSON BROADCAST	46150665	B 030	2/2

All rights reserved.
 Contents of this document may not be reproduced in any form
 and transmitted in any manner, electronic or mechanical,
 including photocopying, recording, or by any information
 storage and retrieval system, without the written permission
 of Thomson Broadcast.

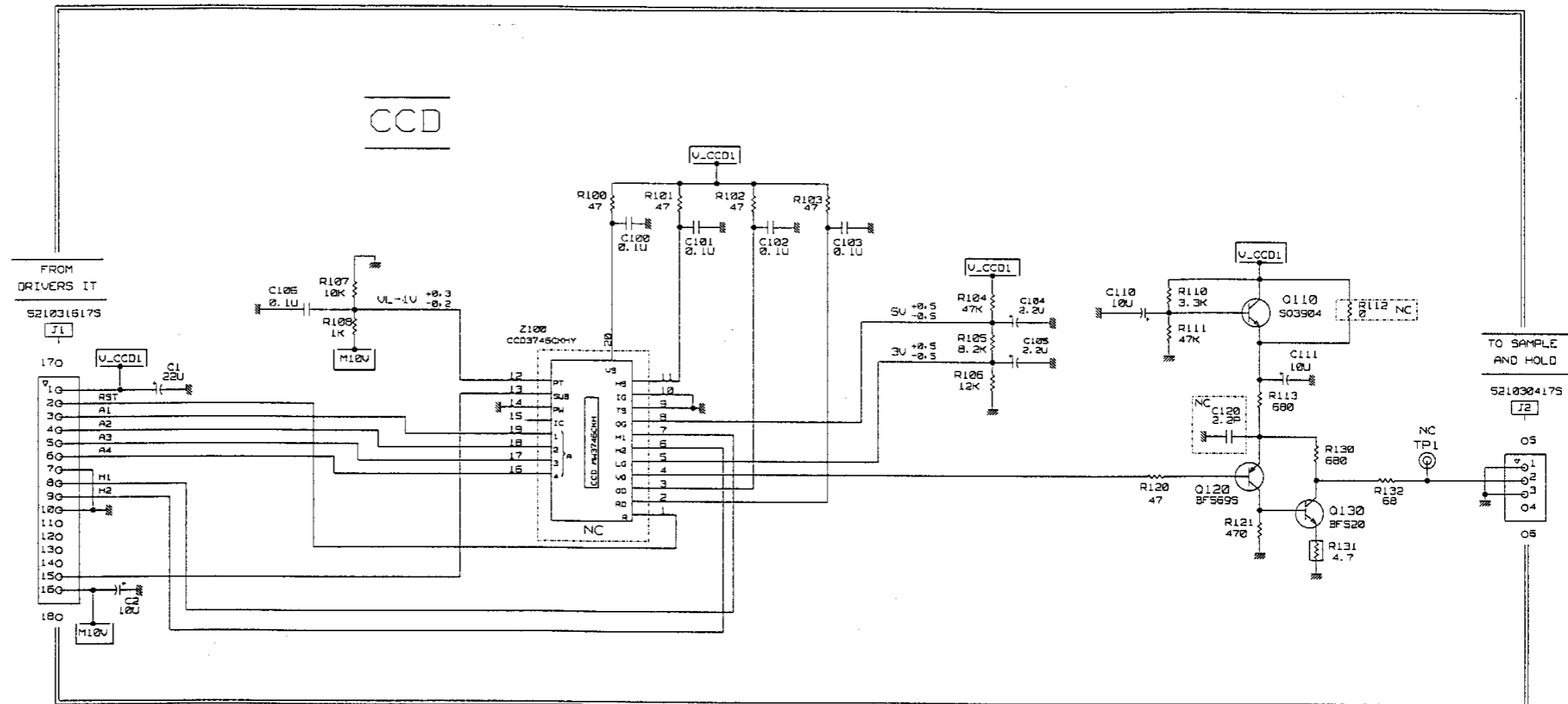


18-3-98		TTU1657	
THOMSON BROADCAST		TITLE SOCKET IT 4/3 5. GREEN-REC	
DRAWING NO	REV	CODE	SHEET
4A032649	A	230	1/1

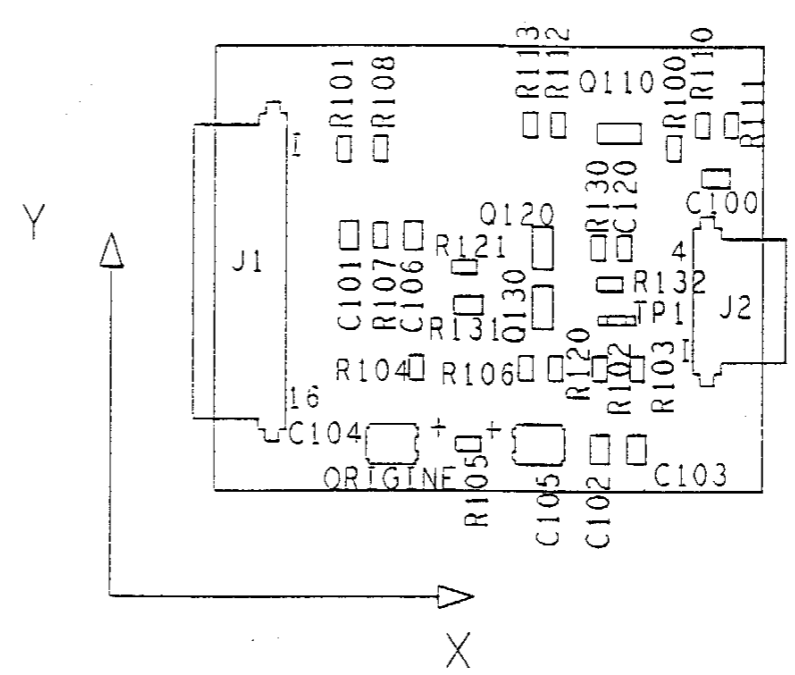
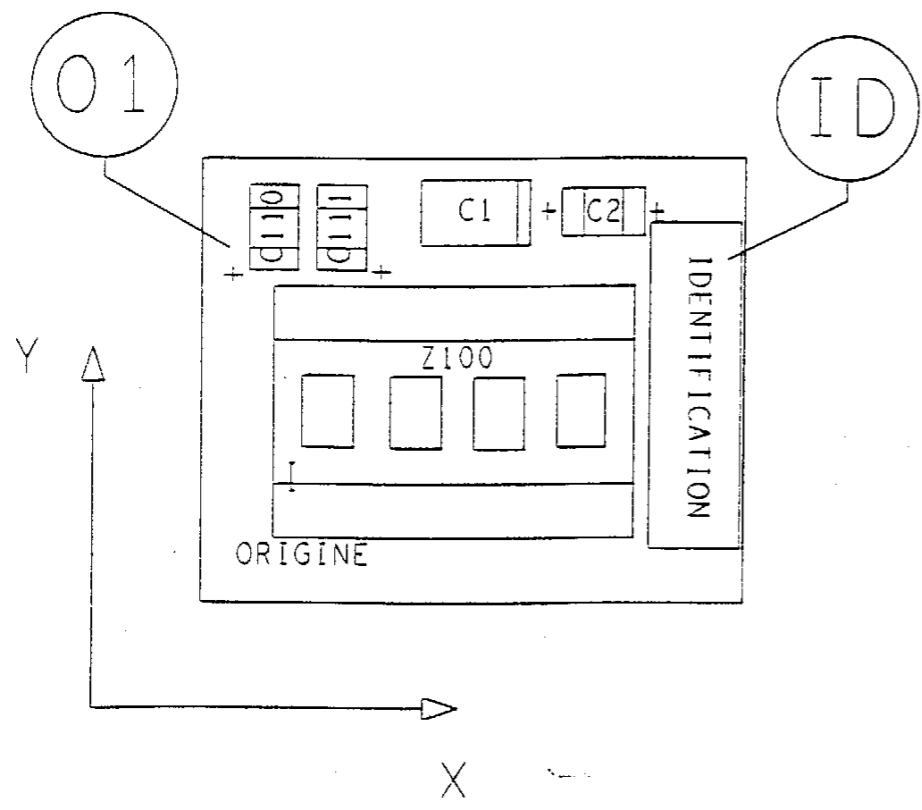


CAMERA				
TITLE				
GREEN RED CCD SOCKET IT 4/3				
DRAWING NO	REV	CODE	SHEET	BLOCK
4A032649	046	01/01		
THOMSON				

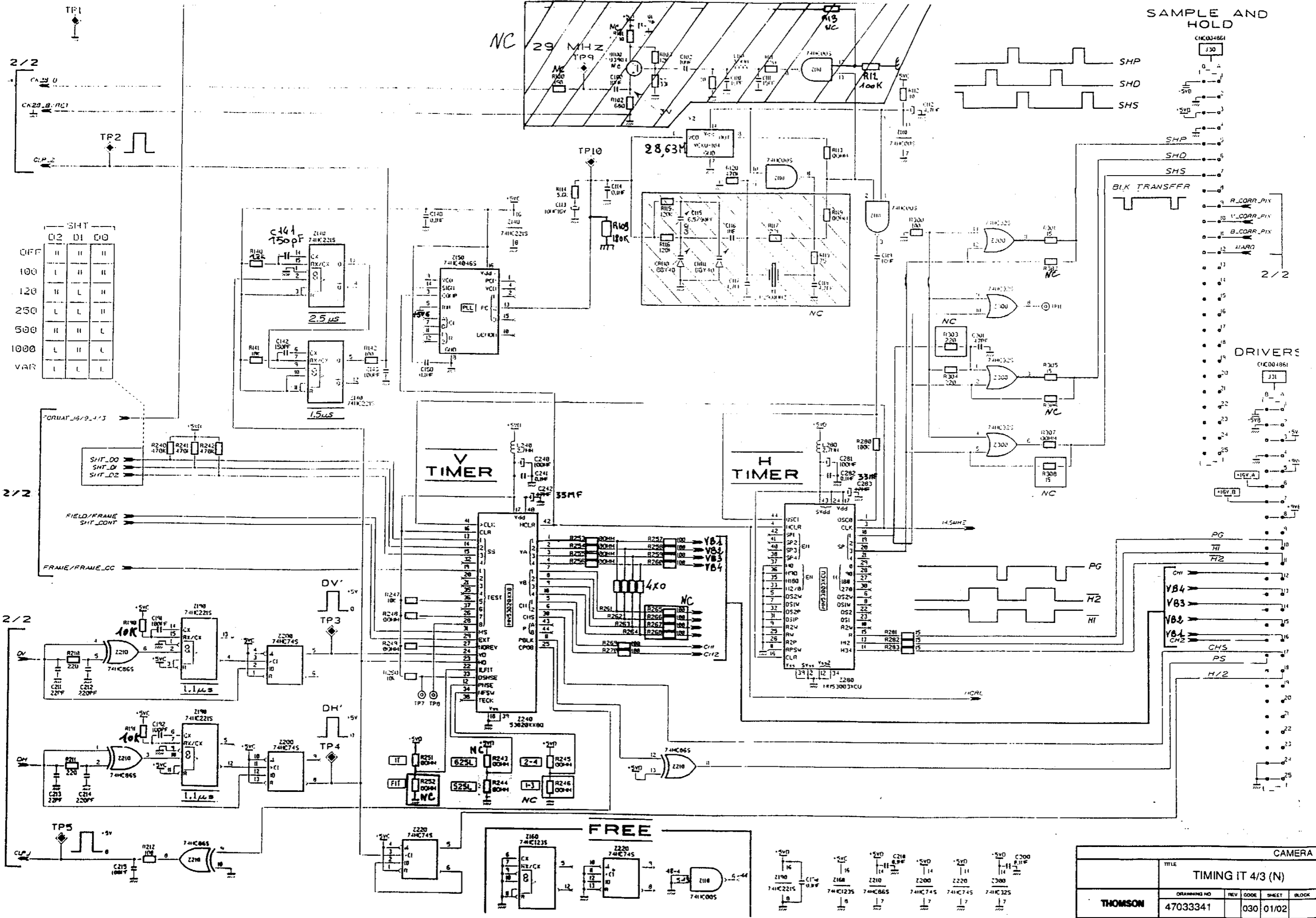
ALL RIGHTS RESERVED.
 Contents of this document are the property of Thomson Broadcast Inc. and
 no part of it may be reproduced, stored in a retrieval system, or transmitted
 in any form or by any means, electronic, mechanical, photocopying, recording,
 or by any information storage and retrieval system, without the prior written
 permission of an authorized person at Thomson Broadcast.



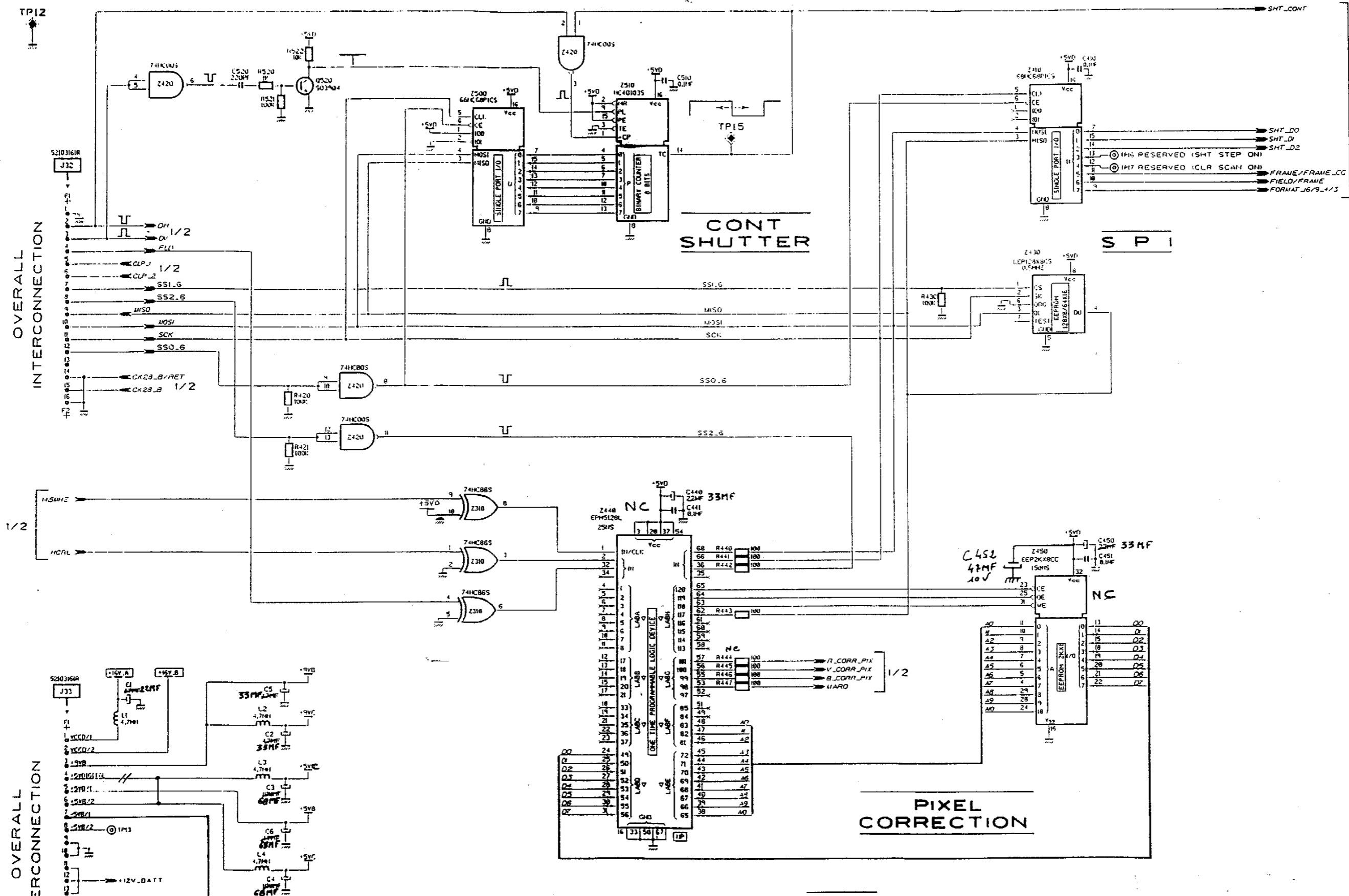
TTV1657			
TITLE		SOCKET IT 4/3 5V	
		BLUE	
17-3-98	DRAWING No	REV CODE	SHEET BLOCK
THOMSON BROADCAST	4A032304	A 030	1/1



CAMERA				
TITLE				
BLUE CCD SOCKET IT 4/3				
THOMSON	DRAWING NO	REV	CODE	SHEET
	4A032304	046	01/01	BLOCK



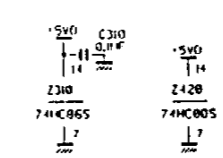
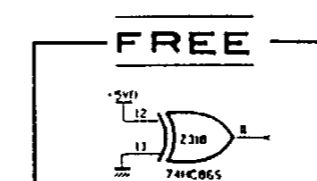
CAMERA				
TIMING IT 4/3 (N)				
TITLE	DRAWING NO	REV	CODE	SHEET
THOMSON	47033341	030	01/02	BLOCK



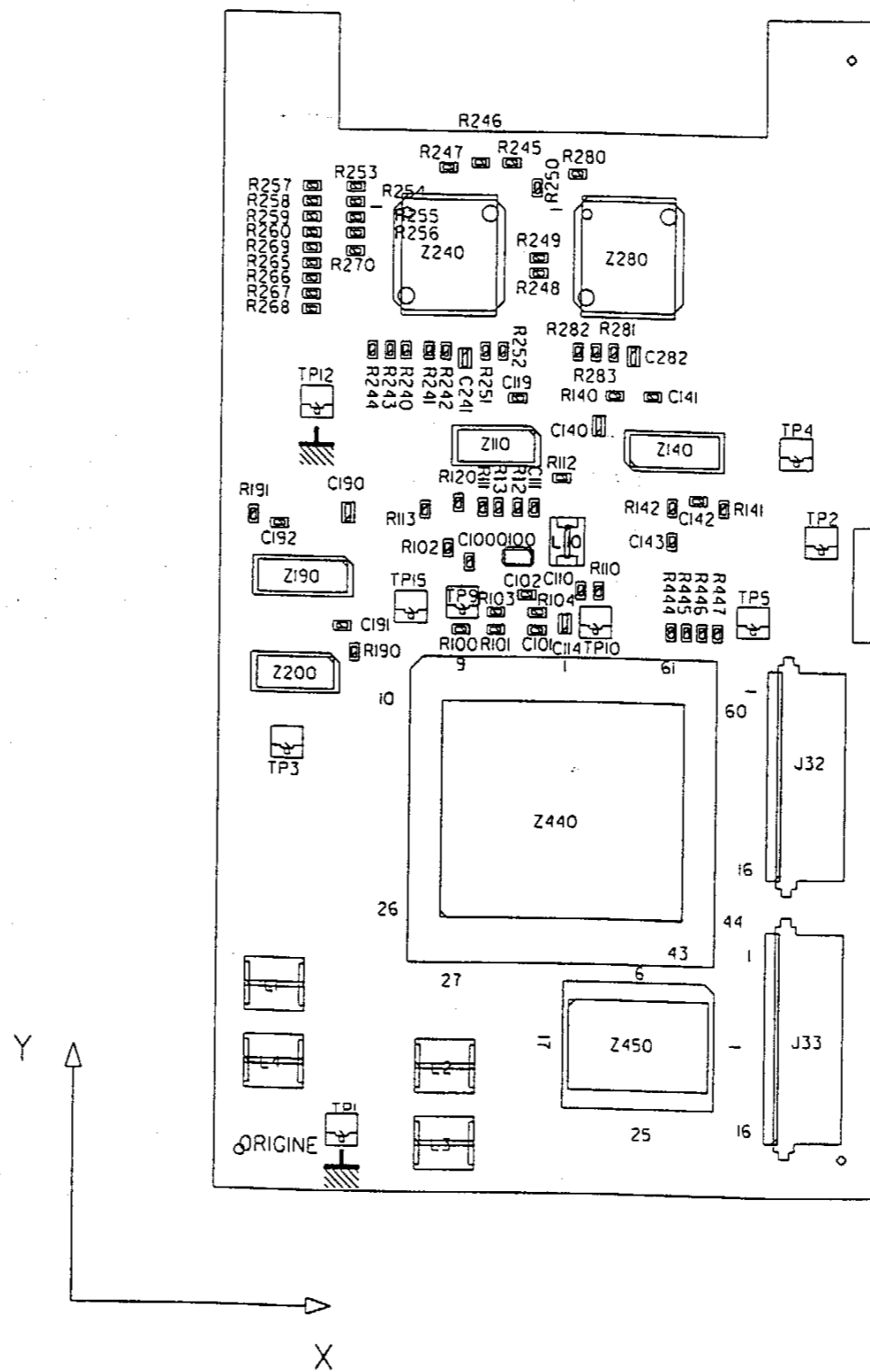
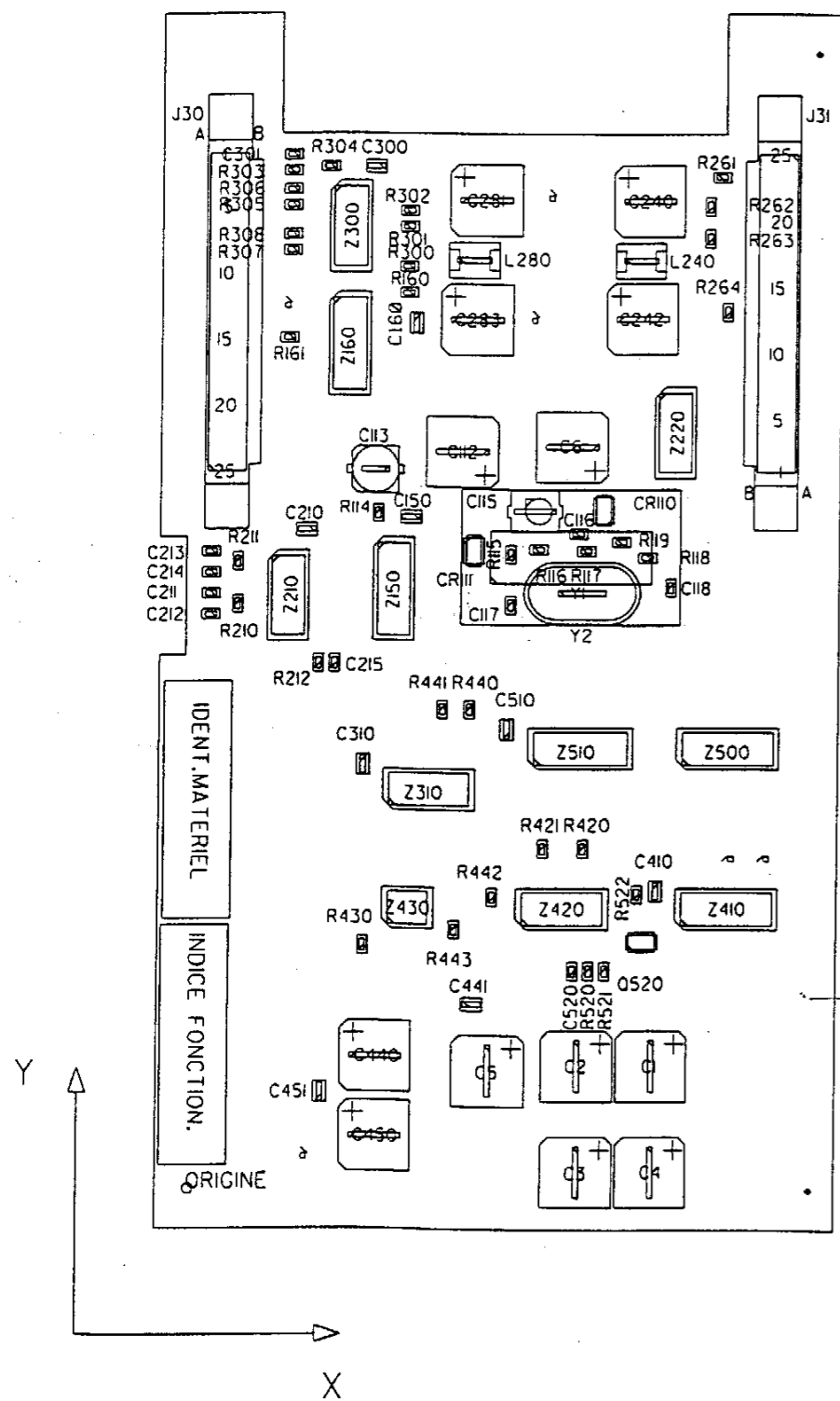
1/2

1/2

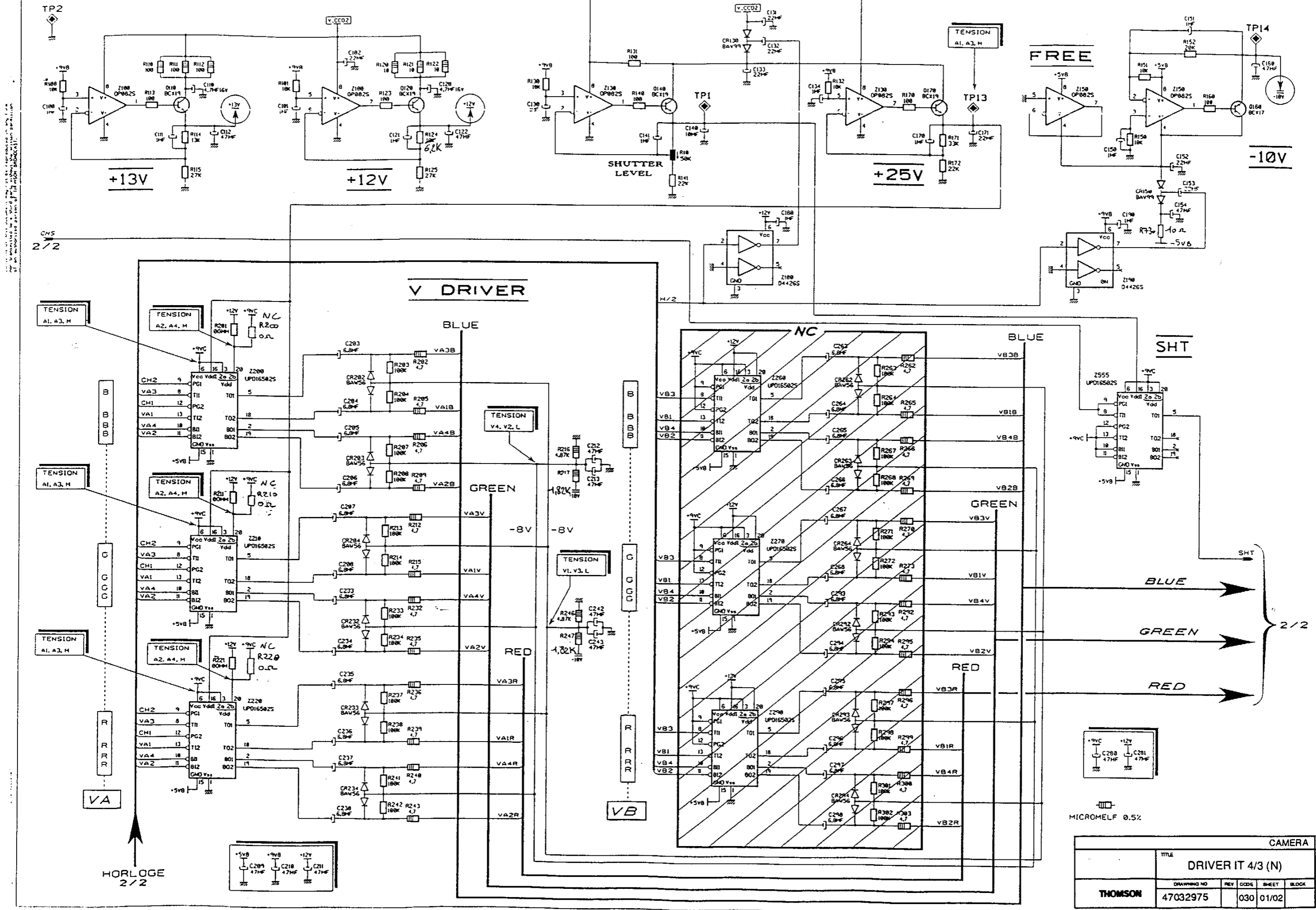
OVERALL INTERCONNECTION



CAMERA				
TITLE				
TIMING IT 4/3 (N)				
DRAWING NO	REV	CODE	SHEET	BLOCK
47033341		030	02/02	
THOMSON				

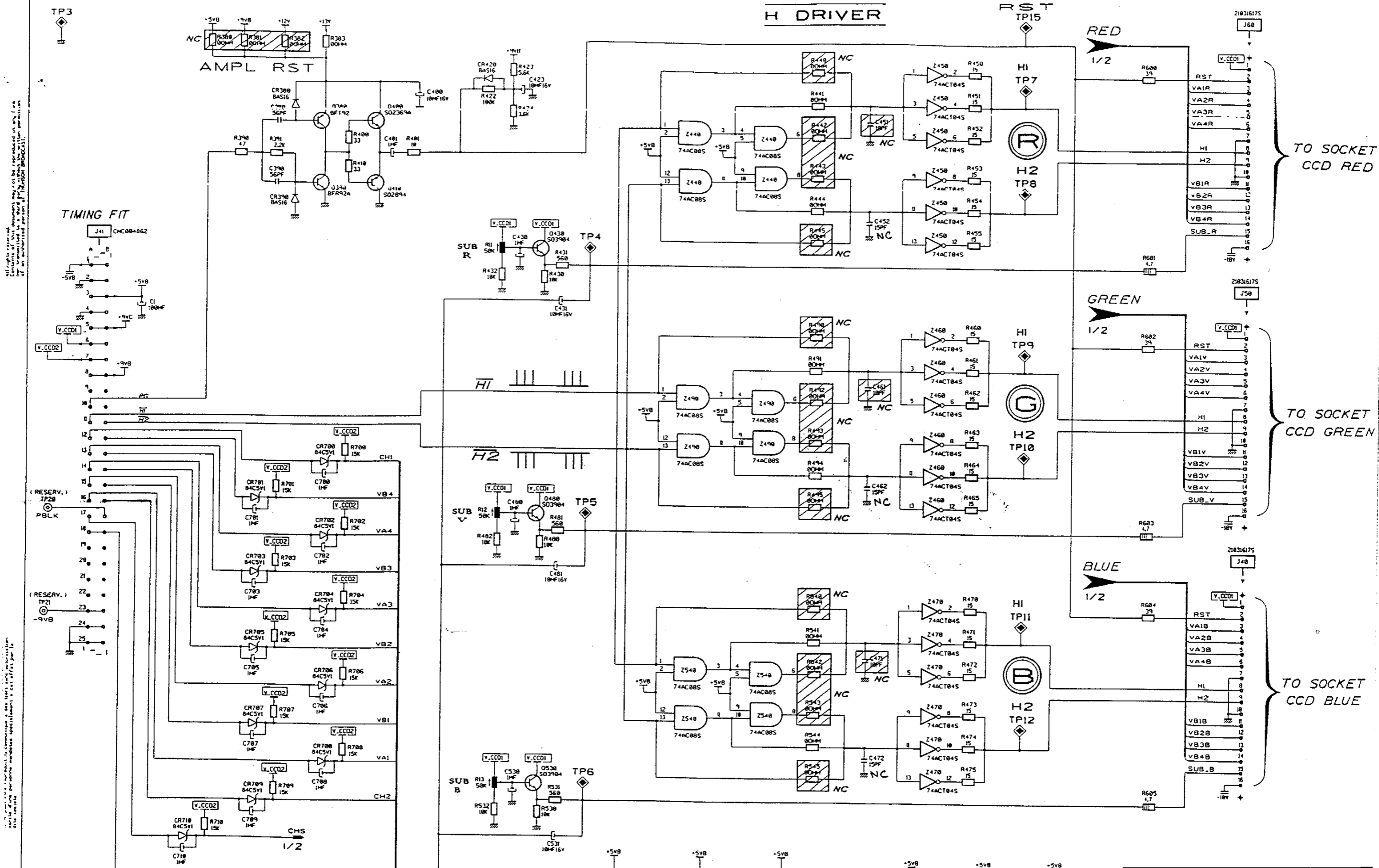


CAMERA				
TITLE				
TIMING IT 4/3 (N)				
DRAWING NO				
THOMSON	47033341	REV	046	01/01
BLOCK				



CAMERA				
TITLE				
DRIVER IT 4/3 (N)				
DRAWING NO	REV	CODE	SHEET	BLOCK
THOMSON	47032975	030	01/02	

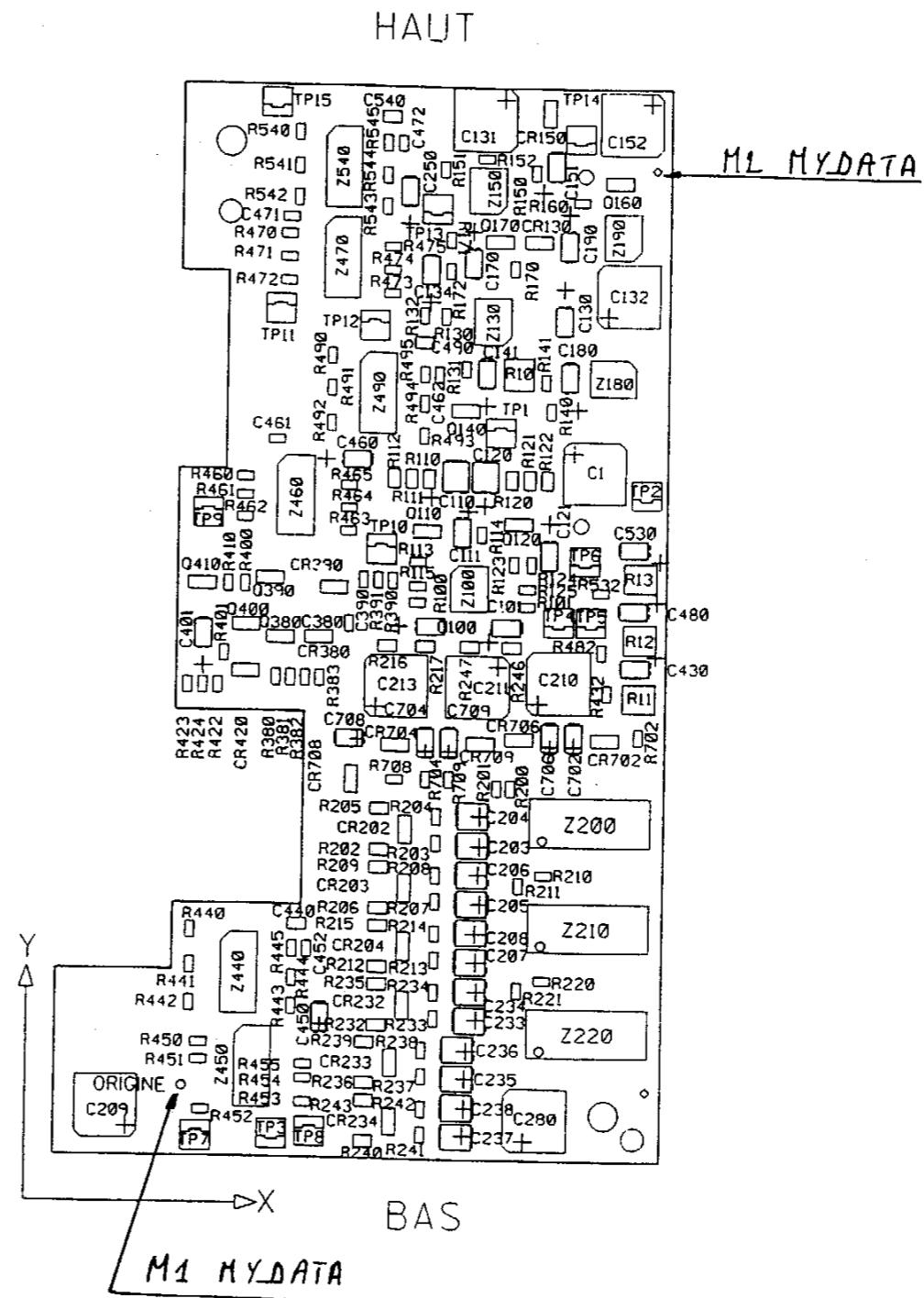
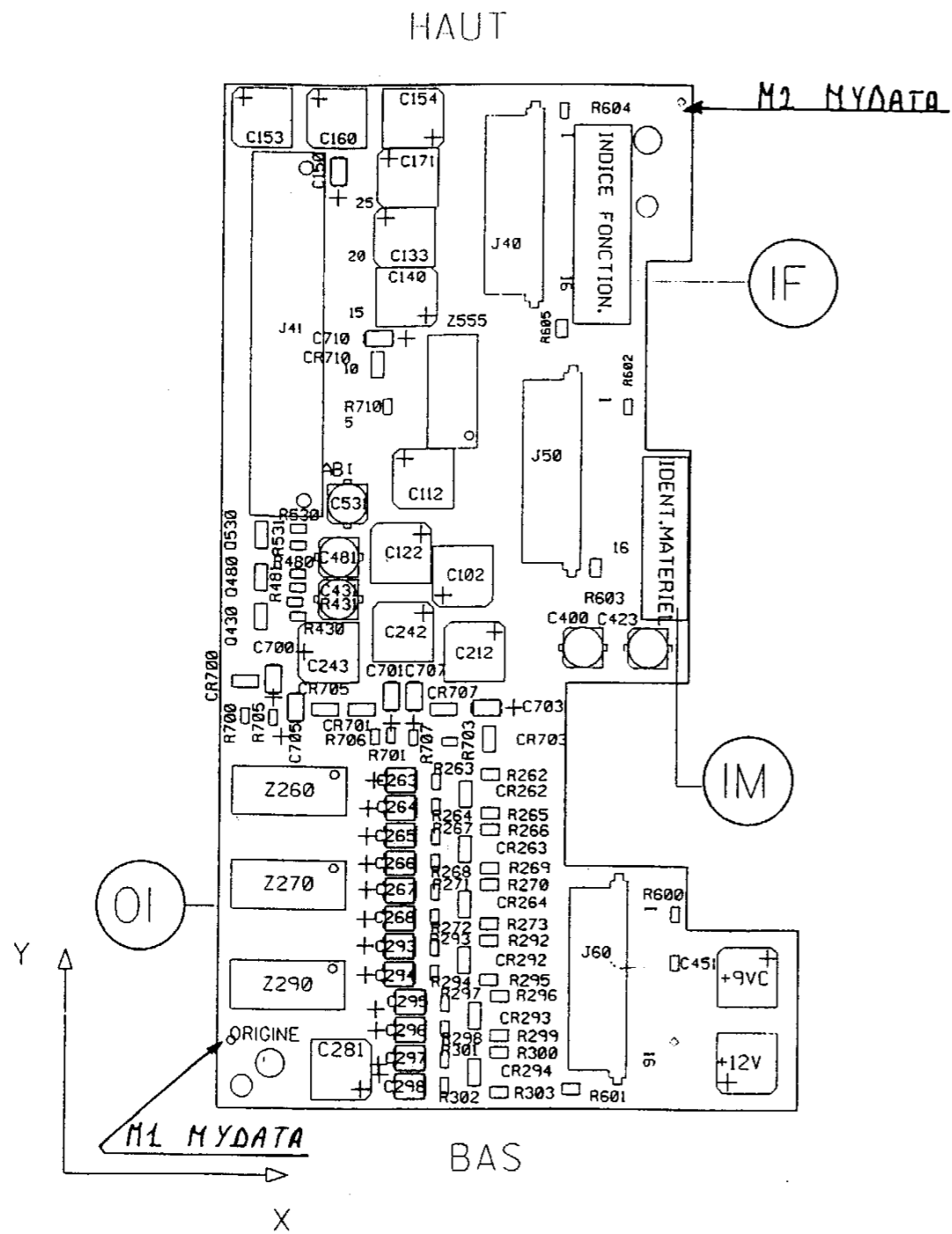
SCHEMATIC NAME: driver.it4.3.n SHEET NUMBER: 1 DATE: Feb 22, 1995



All rights reserved. No part of this document may be reproduced in any form or by any means, electronic or mechanical, including photocopying, recording, or by any information storage and retrieval system, without the prior written permission of Thomson.

Toute réimpression ou utilisation non autorisée sans la permission écrite de la Thomson est formellement interdite.

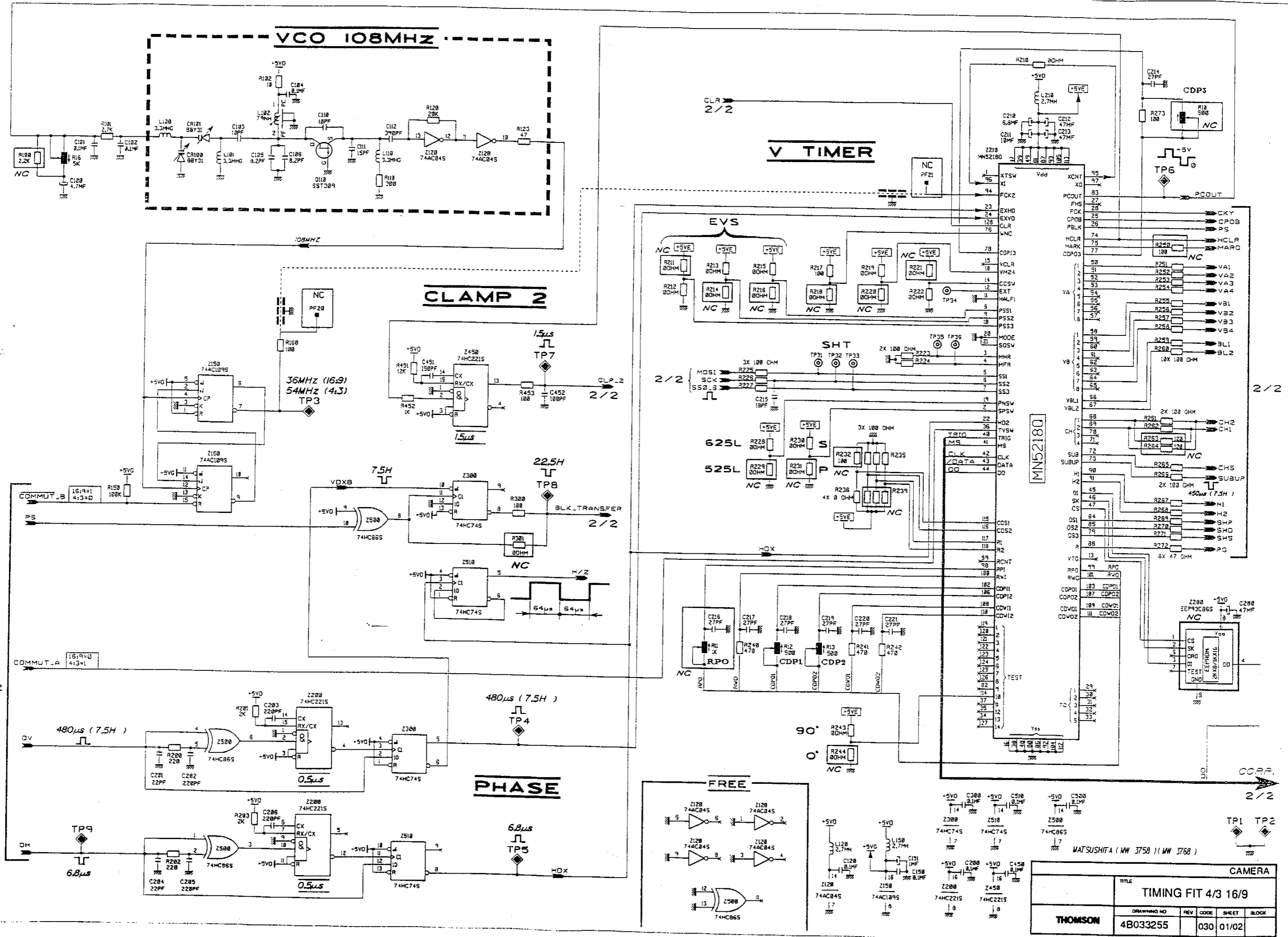
CAMERA				
DRIVER IT 4/3 (N)				
DRAWING NO	REV	CODE	SHEET	BLOCK
THOMSON	47032975	030	02/02	



CAMERA				
TITLE				
DRIVER IT 4/3 (N)				
DRAWING NO	REV	CODE	SHEET	BLOCK
47032975		046	01/01	
THOMSON				

Toute réimpression ou reproduction de ce document sans la permission écrite de la Thomson est formellement interdite. Toute réimpression ou reproduction de ce document sans la permission écrite de la Thomson est formellement interdite.

Toute réimpression ou reproduction de ce document sans la permission écrite de la Thomson est formellement interdite. Toute réimpression ou reproduction de ce document sans la permission écrite de la Thomson est formellement interdite.

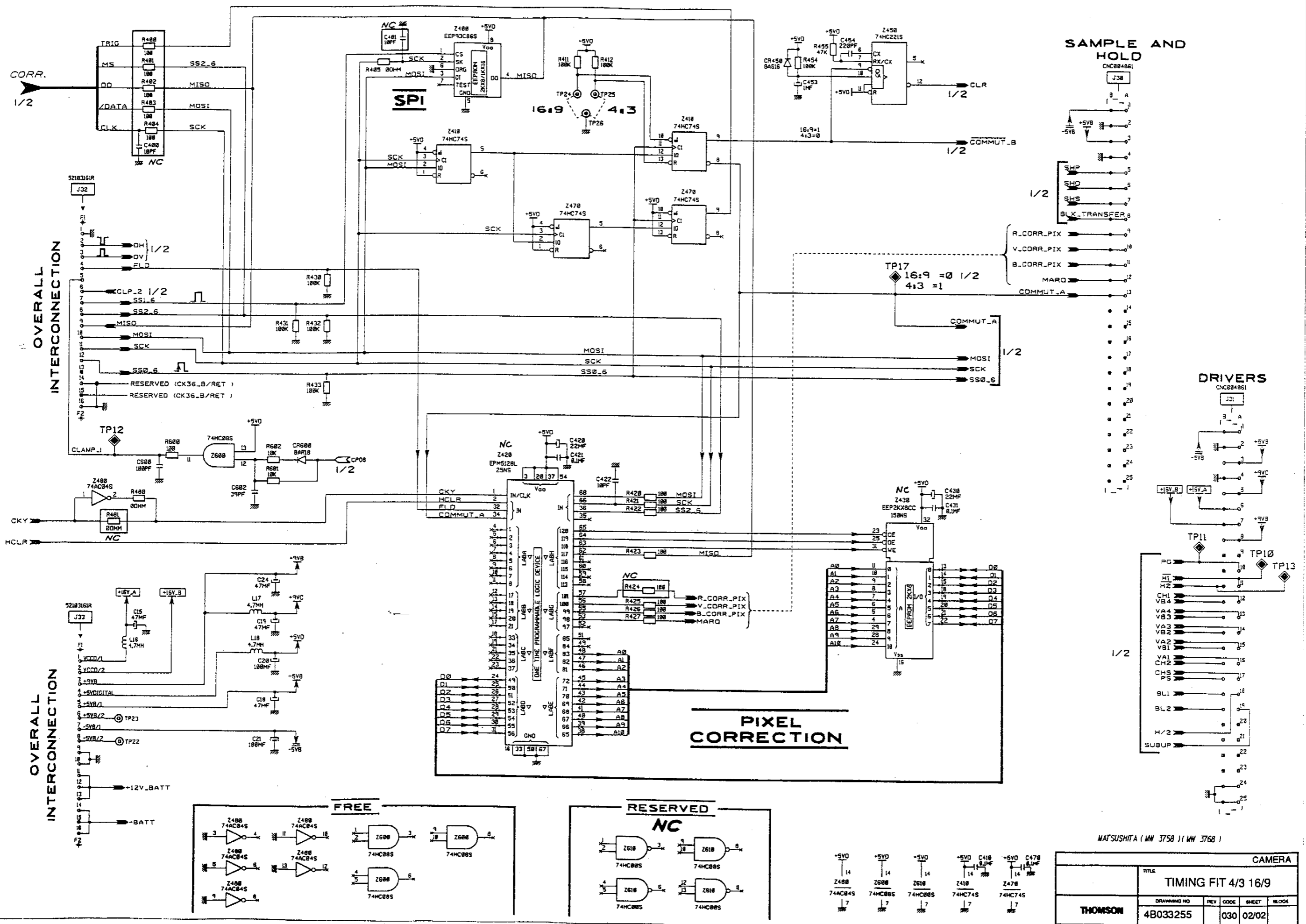


CAMERA				
TIMING FIT 4/3 16/9				
DRAWING NO	REV	CODE	SHEET	BLOCK
4B033255	030	01/02		

MATSUSHITA (MM 3758) (MM 3768)

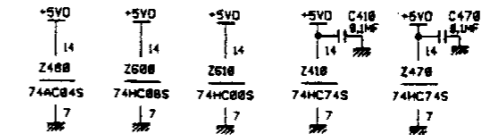
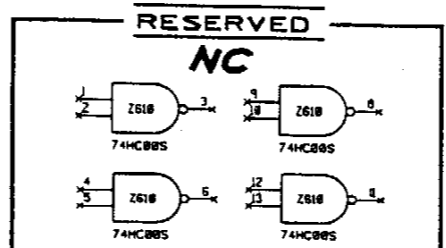
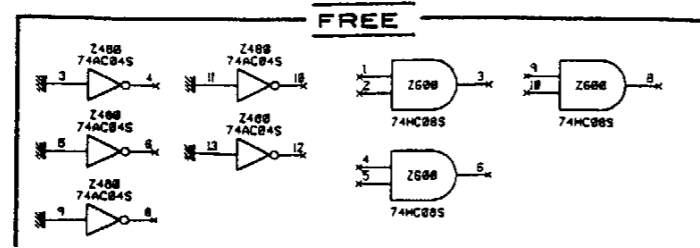
Ce document est la propriété de la société THOMSON BRONCKAST.
 Toute réimpression ou utilisation non autorisée sans la permission
 écrite de la société THOMSON BRONCKAST est formellement interdite.

This document is the property of Thomson Bronckast.
 Any reprinting or unauthorized use without the written permission
 of Thomson Bronckast is expressly prohibited.



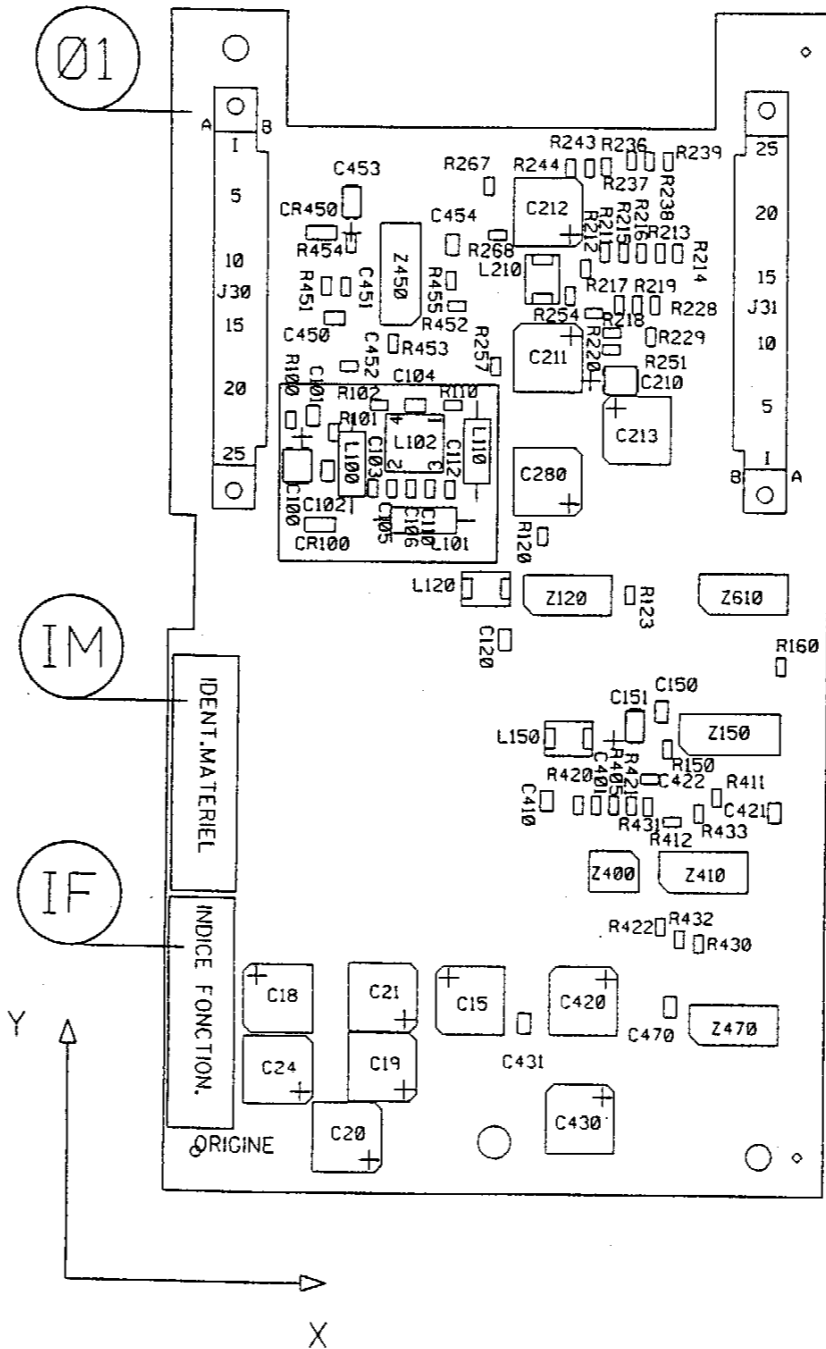
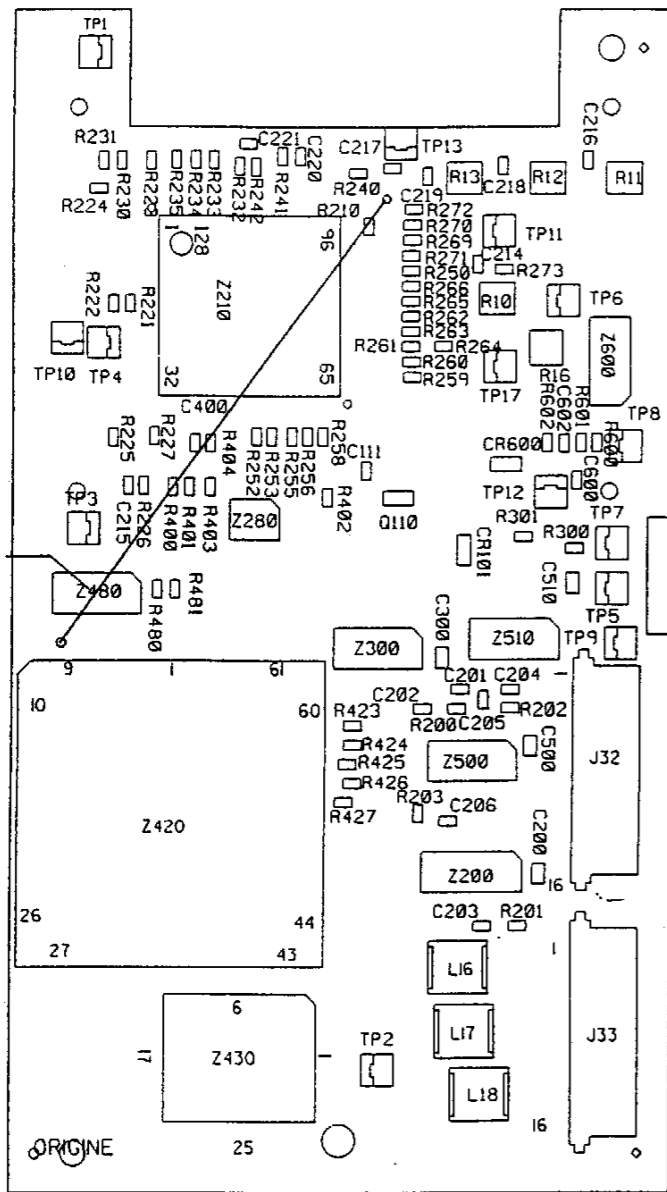
OVERALL INTERCONNECTION

OVERALL INTERCONNECTION



CAMERA			
TITLE TIMING FIT 4/3 16/9			
THOMSON	DRAWING NO	REV CODE	SHEET BLOCK
	4B033255	030	02/02

MATSUSHITA (MW 3758) (MW 3768)

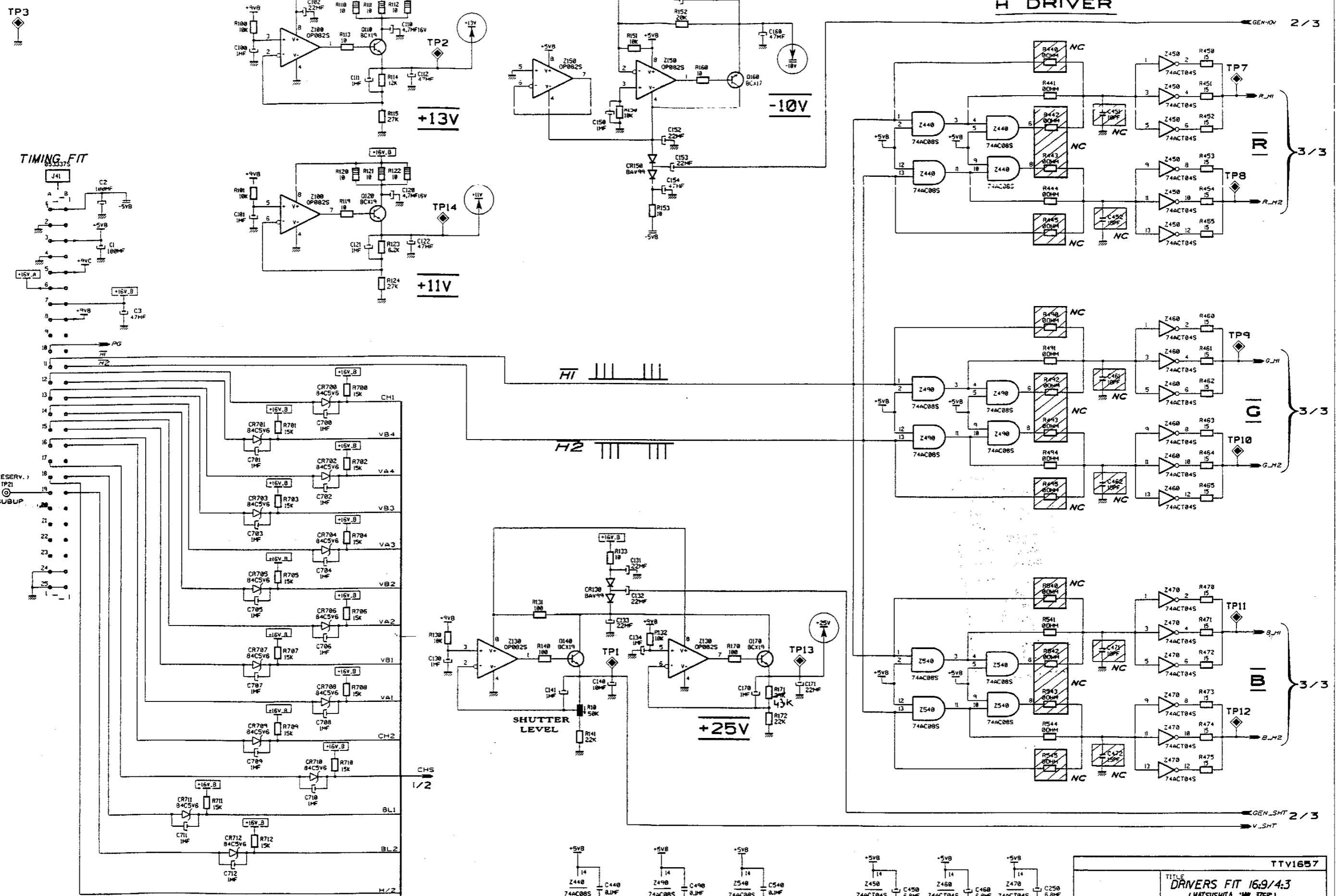


CAMERA					
TITLE					
TIMING FIT 4/3 16/9					
DRAWING NO		REV	CODE	SHEET	BLOCK
THOMSON 48033255			046	01/01	

All rights reserved. This document may not be reproduced in any form without the prior written permission of Thomson Broadcast.

Ce document est la propriété de la société THOMSON BROADCAST. Toute réimpression ou utilisation non autorisée sans la permission écrite de la société est formellement interdite.

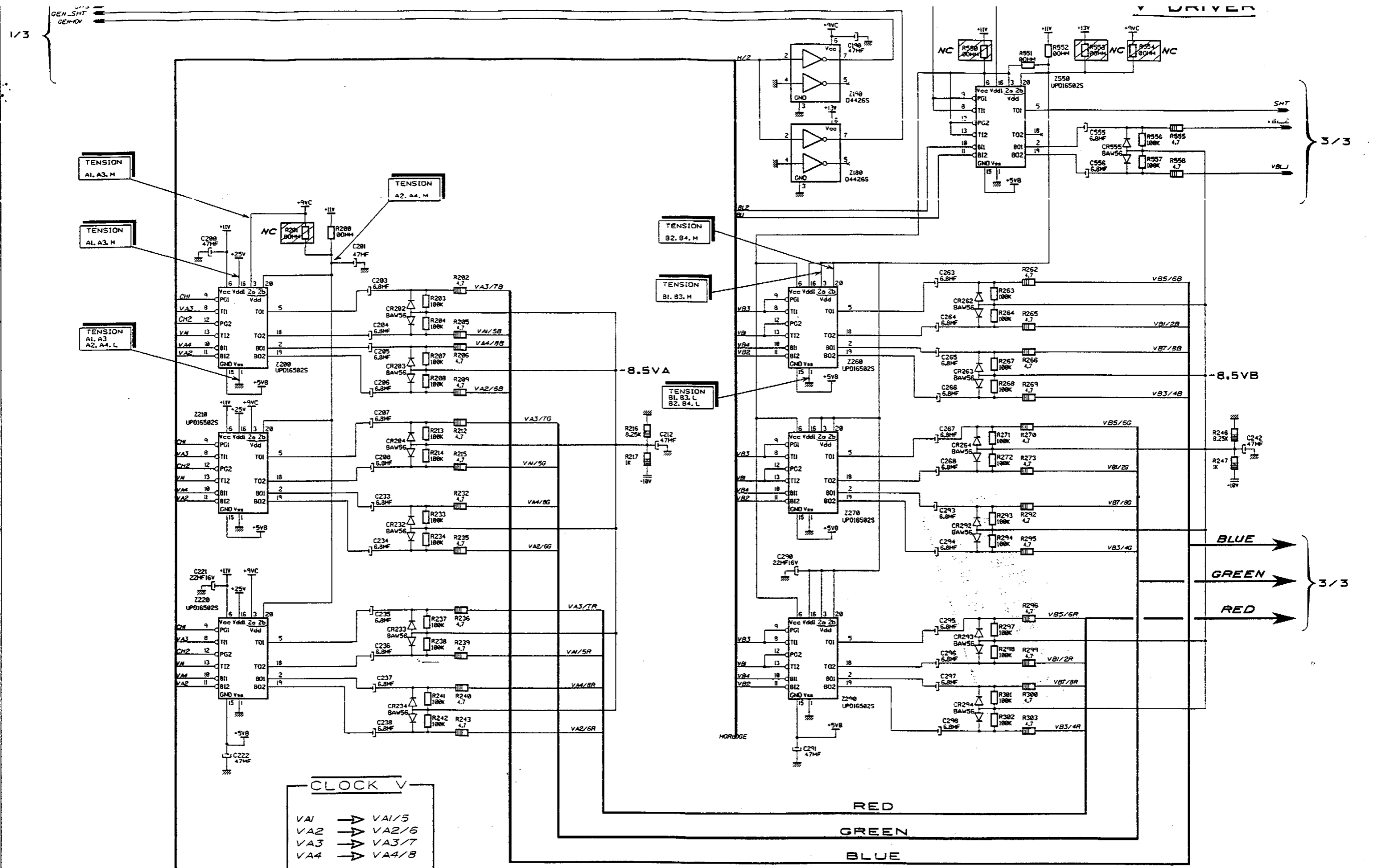
H DRIVER



TTV1657			
TITLE DRIVERS FIT 16.9/4.3 (MATSUSHITA 'MM 3760')			
DRAWING NO	REV CODE	SHEET	BLOCK
4A150394	B	030	01/03
THOMSON BROADCAST			

All rights reserved. No part of this document may be reproduced, stored in a retrieval system, or transmitted in any form or by any means, electronic, mechanical, photocopying, recording, or by any information storage and retrieval system, without the prior written permission of Thomson Broadcast.

Ce document est la propriété de la société THOMSON BROADCAST. Toute réimpression ou utilisation non autorisée sans la permission écrite de la société est formellement interdite.



TENSION A1, A3, M

TENSION A1, A3, H

TENSION A1, A3 A2, A4, L

TENSION A2, A4, M

TENSION B2, B4, M

TENSION B1, B3, M

TENSION B1, B3, L B2, B4, L

BLUE

GREEN

RED

CLOCK V

VA1	→	VA1/5
VA2	→	VA2/6
VA3	→	VA3/7
VA4	→	VA4/8
VB1	→	VB1/2
VB2	→	VB3/4
VB3	→	VB5/6
VB4	→	VB7/8

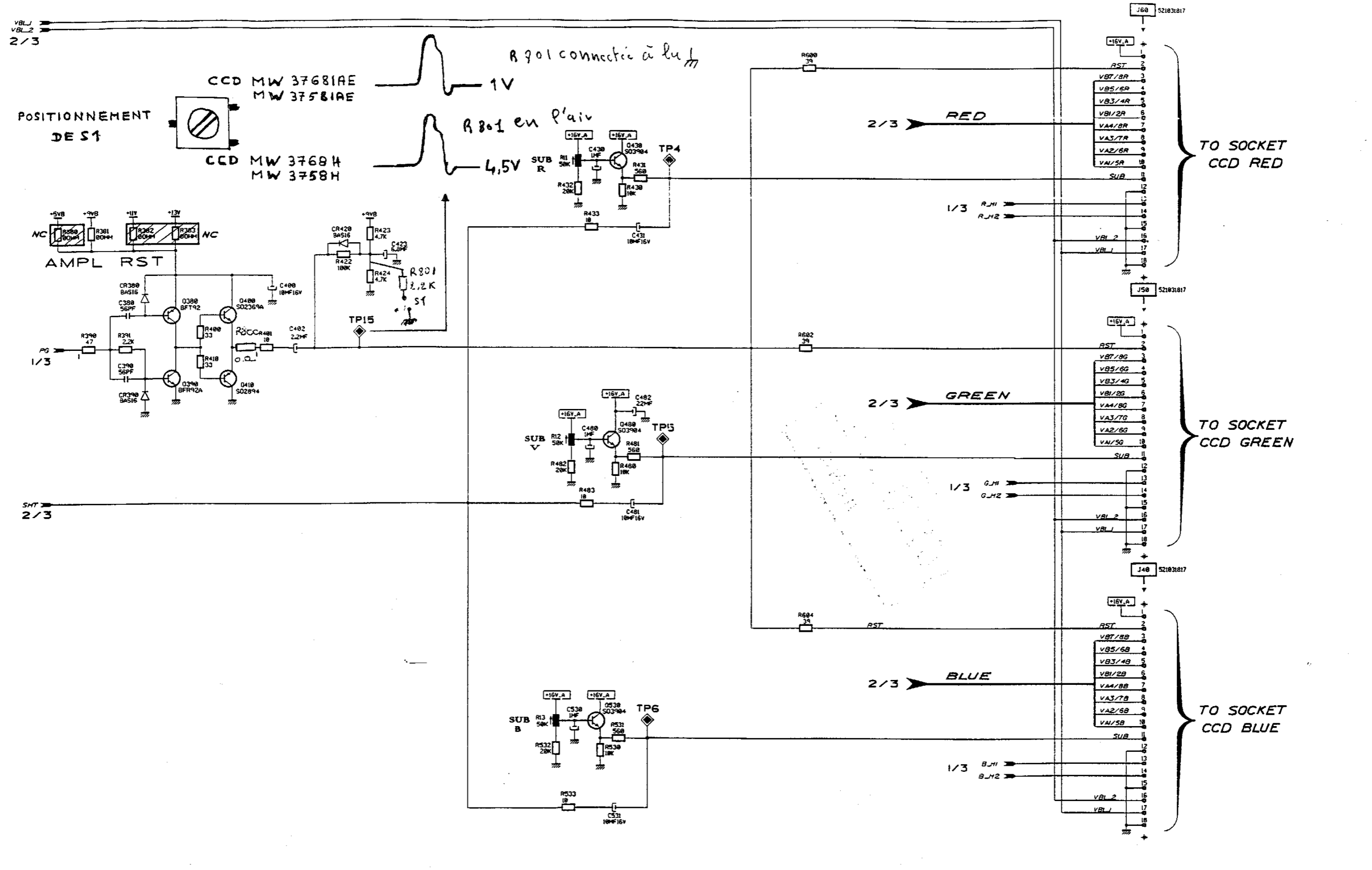
1/3 → HORLOGE

TTV1657			
TITRE DRIVERS FIT 16:9/4:3 (MATSUSHITA 'MM 3768')			
DRAWING NO	REV CODE	SHEET	BLOCK
4A150394	A	030	02/03

MICROMELF 0.5%

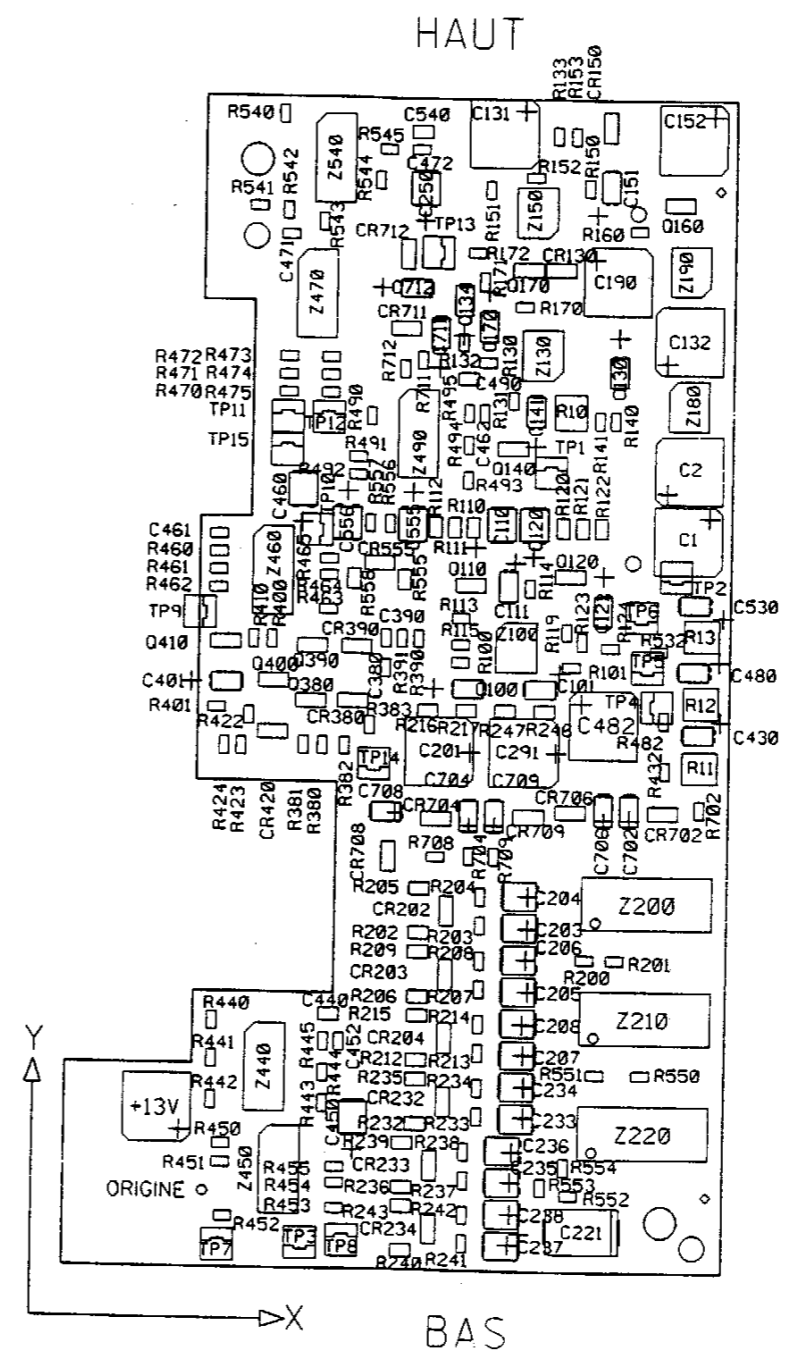
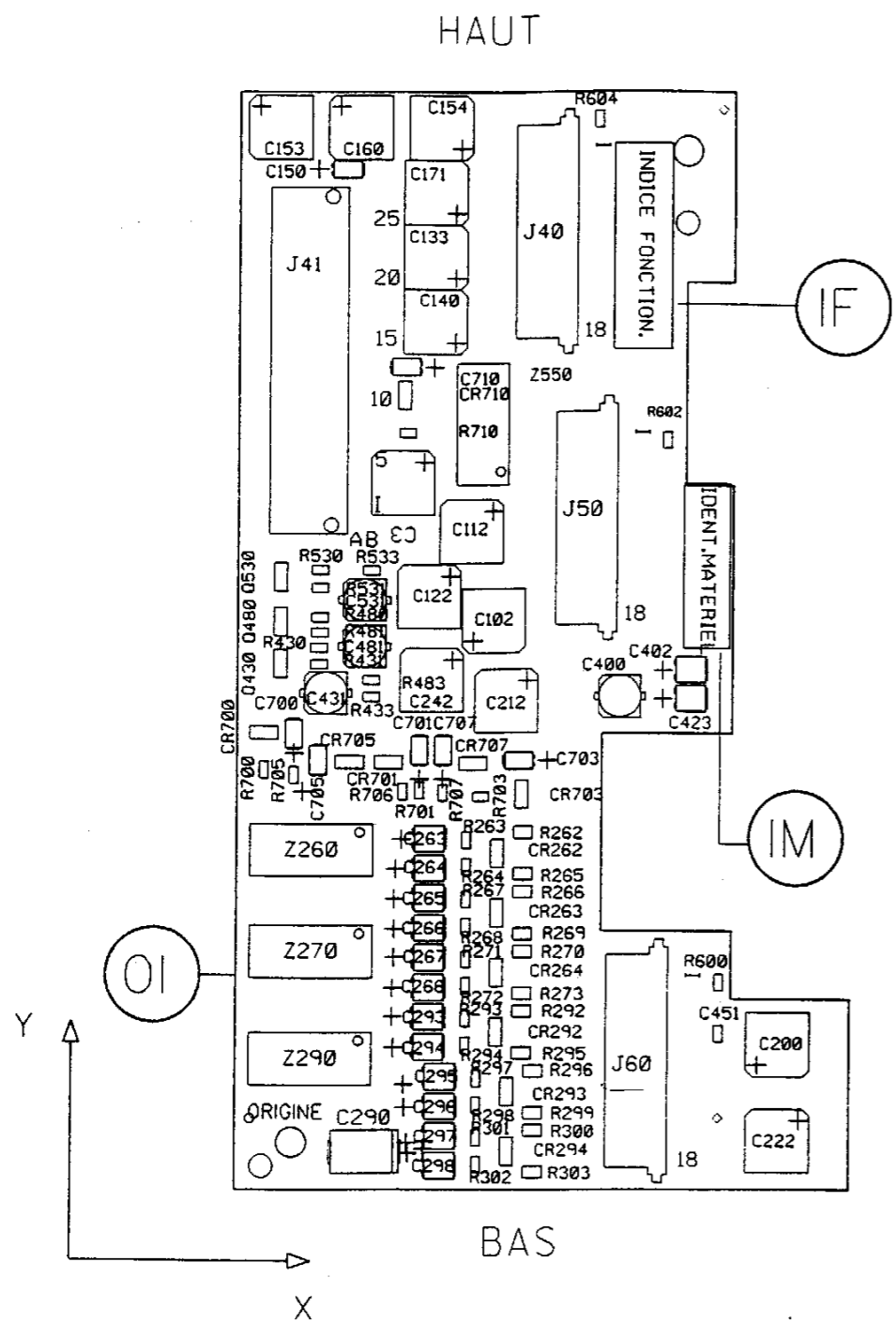
All rights reserved. This document may not be reproduced in any form without the prior written permission of Thomson Broadcast.

Ce document est la propriété de la société Thomson Broadcast. Toute réimpression ou utilisation non autorisée sans la permission écrite de la société est formellement interdite.



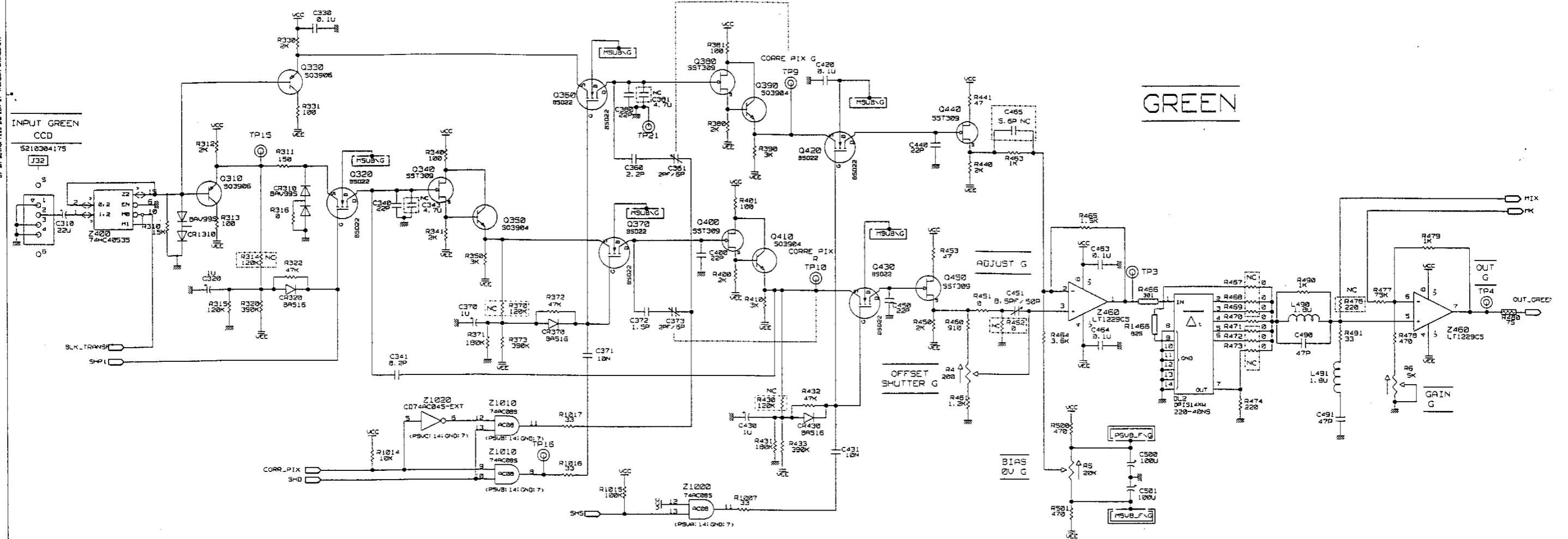
TTV1657			
TITLE DRIVERS FIT 16:9/4:3 (MATSUSHITA "MW 3768")			
DRAWING NO	REV CODE	SHEET	BLOCK
4A150394	C	030	03/03

SCHEMATIC NAME: driver.sch SHEET NUMBER: 3 DATE: Oct 6, 1995

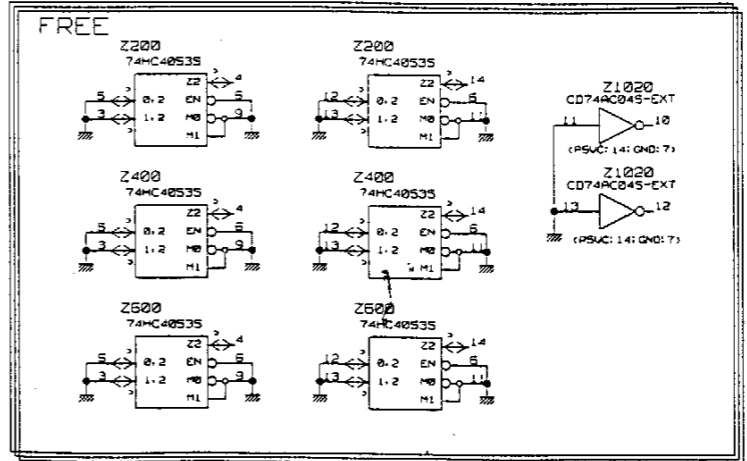
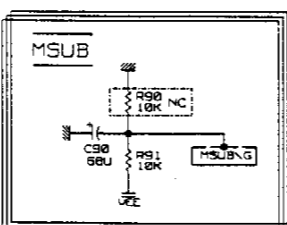
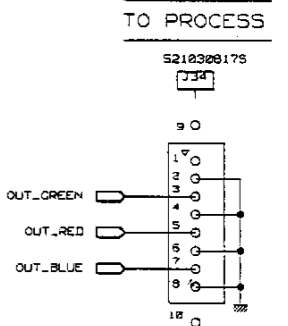
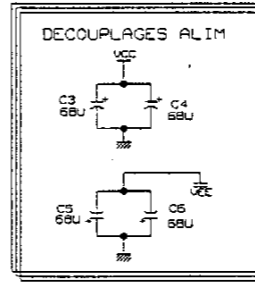
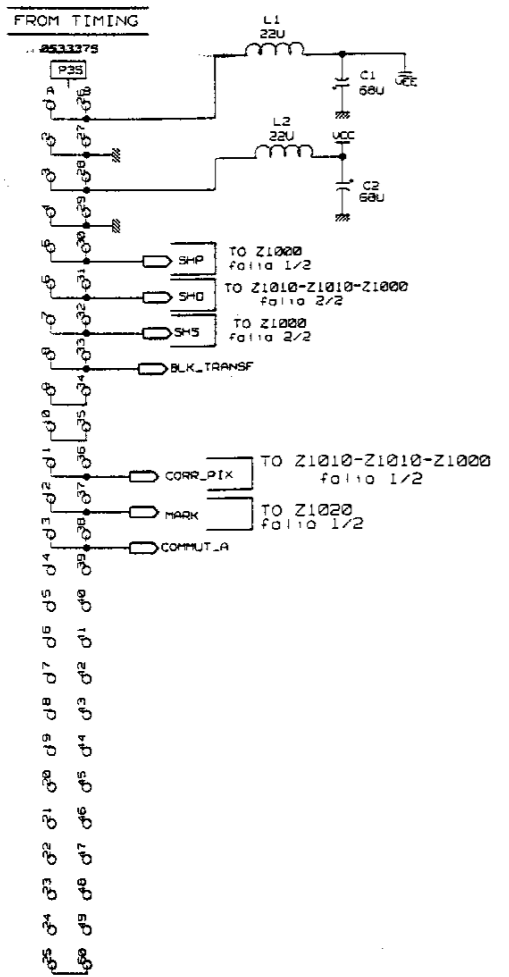


CAMERA				
TITLE				
DRIVER FIT 4/3 16/9				
THOMSON	DRAWING NO	REV	CODE	SHEET / BLOCK
	4A150394	046	01/01	

All rights reserved. No part of this document may be reproduced in any form or by any means, electronic or mechanical, including photocopying, recording, or by any information storage and retrieval system, without the written permission of Thomson Broadcast.



GREEN

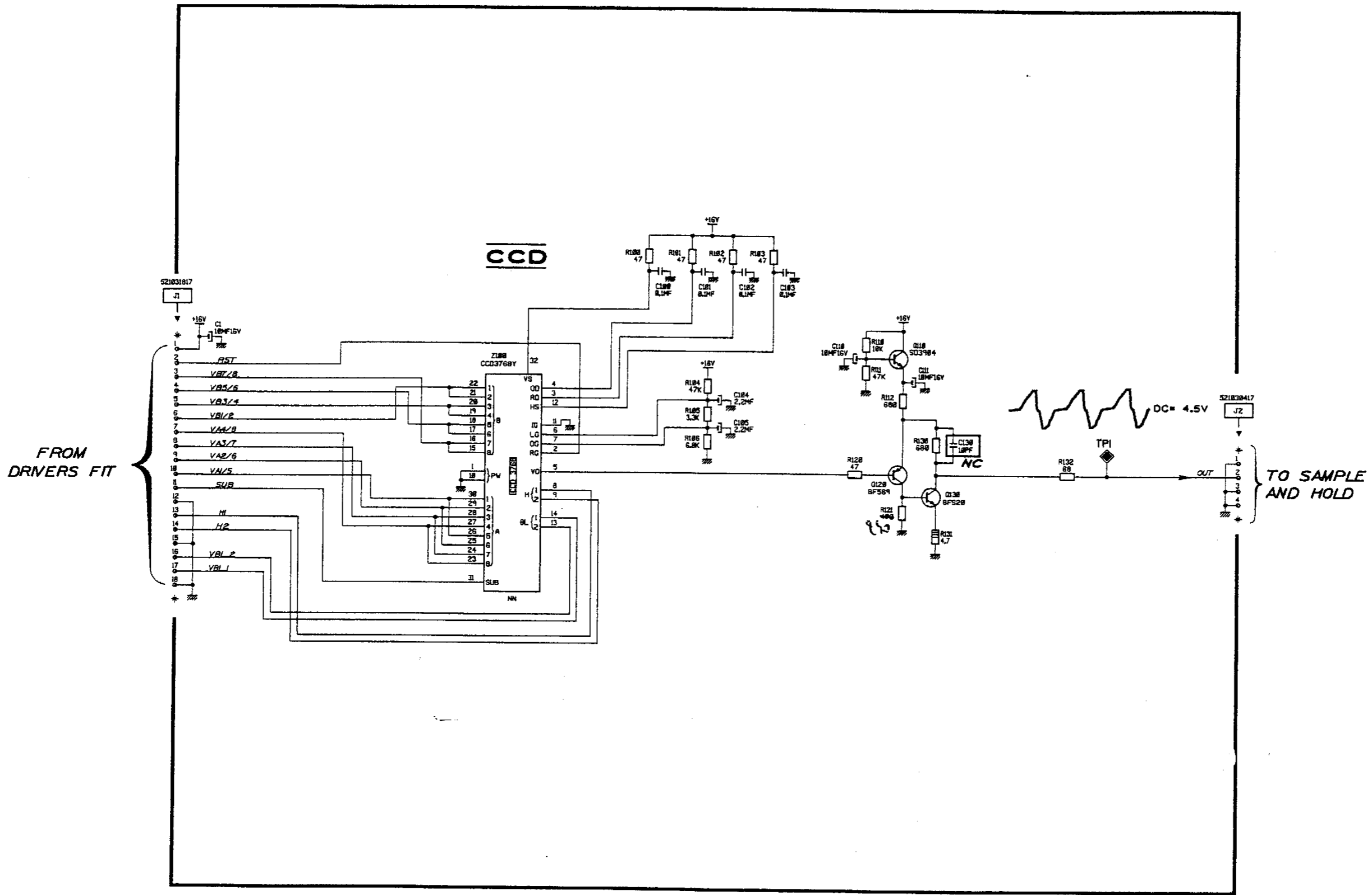


VCC = +5V
VEE = -5V

TTV1657			
TITLE SAMPLE AND HOLD			
16:9 1000 pts			
20-00-08	DRAWING No	REV CODE	SHEET BLOCK
THOMSON BROADCAST	46150664 E	1030	2/2

All rights reserved. Thomson Broadcast may not be reproduced in any form
 or by any means without the prior written permission of Thomson Broadcast.

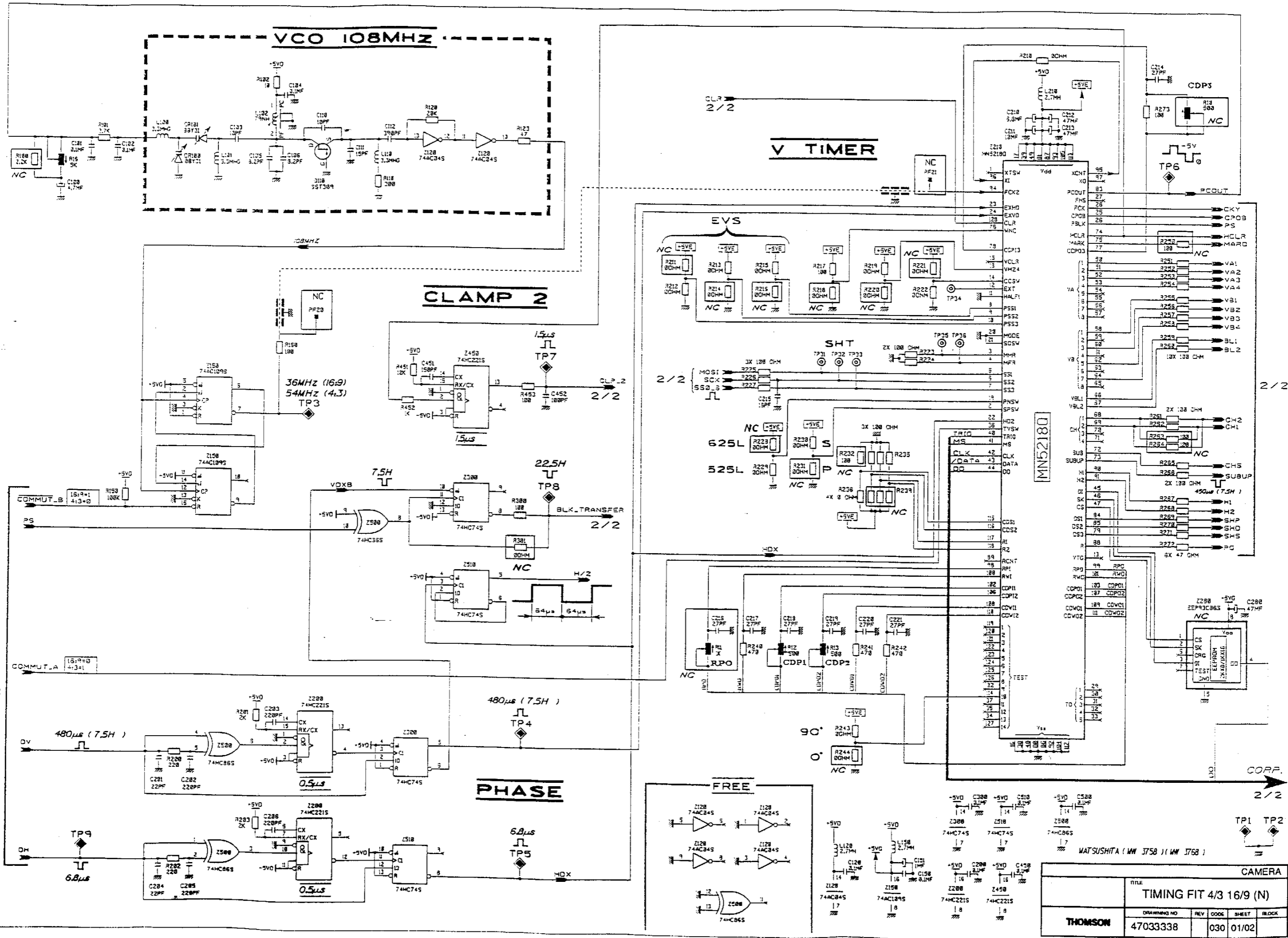
Thomson Broadcast is a registered trademark of Thomson Broadcast. All other
 trademarks are the property of their respective owners. Thomson Broadcast
 is not responsible for any damage or loss of data resulting from the use of
 this document.



CAMERA				
TITLE	BLUE			
	CCD SOCKET FIT 4/3 16/9			
DRAWING NO	REV	CODE	SHEET	BLOCK
4A150066	030	01/01		
THOMSON				

All rights reserved. This document may not be reproduced in any form or by any means without the prior written permission of Thomson.

Ce document est la propriété de Thomson. Toute réimpression ou utilisation non autorisée sans la permission écrite de la Thomson est formellement interdite.



CAMERA				
TIMING FIT 4/3 16/9 (N)				
DRAWING NO	REV	CODE	SHEET	BLOCK
47033338	030	01/02		

MATSUSHITA (MW 3758) (MW 3758)

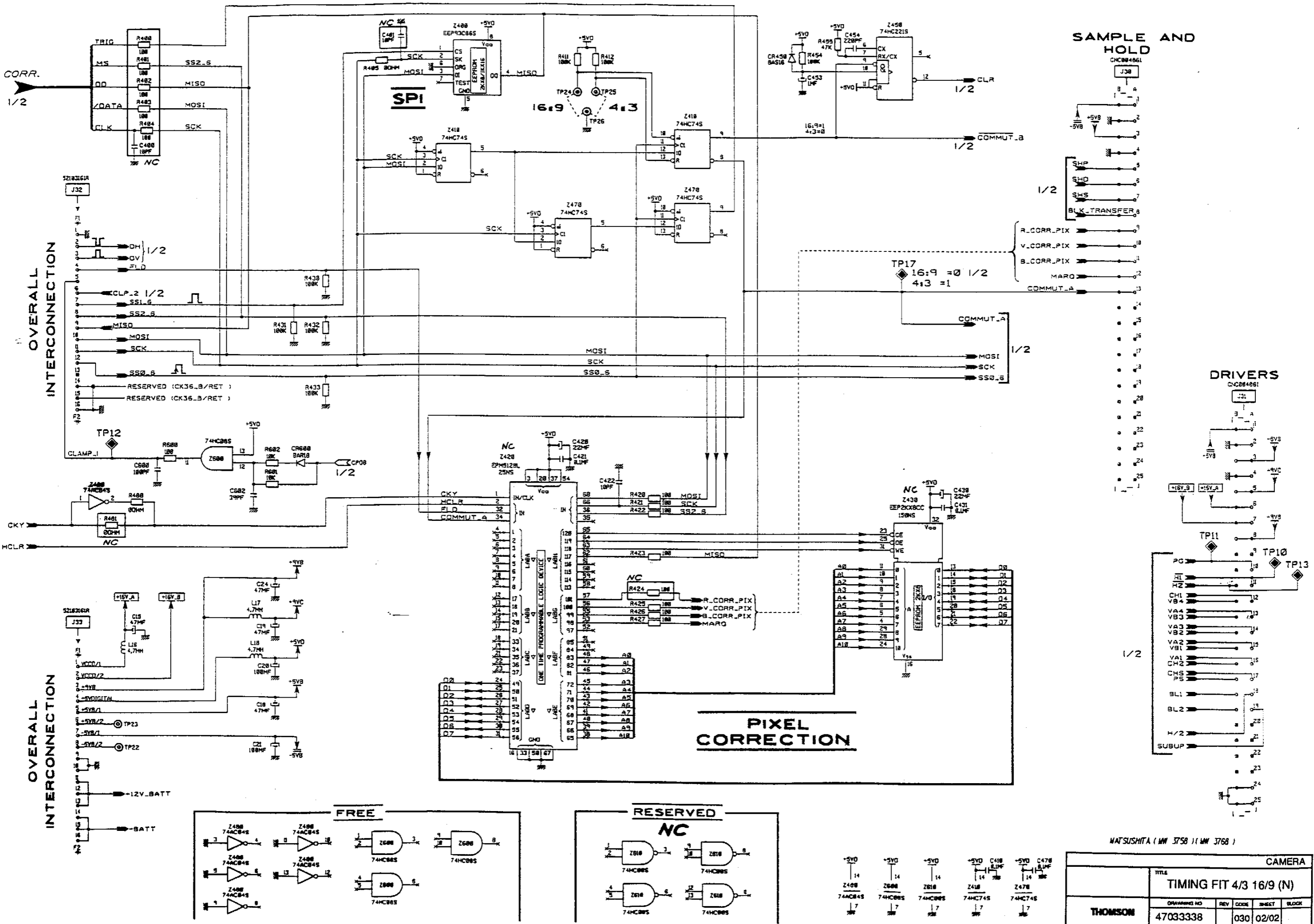
CORR.

2/2

2/2

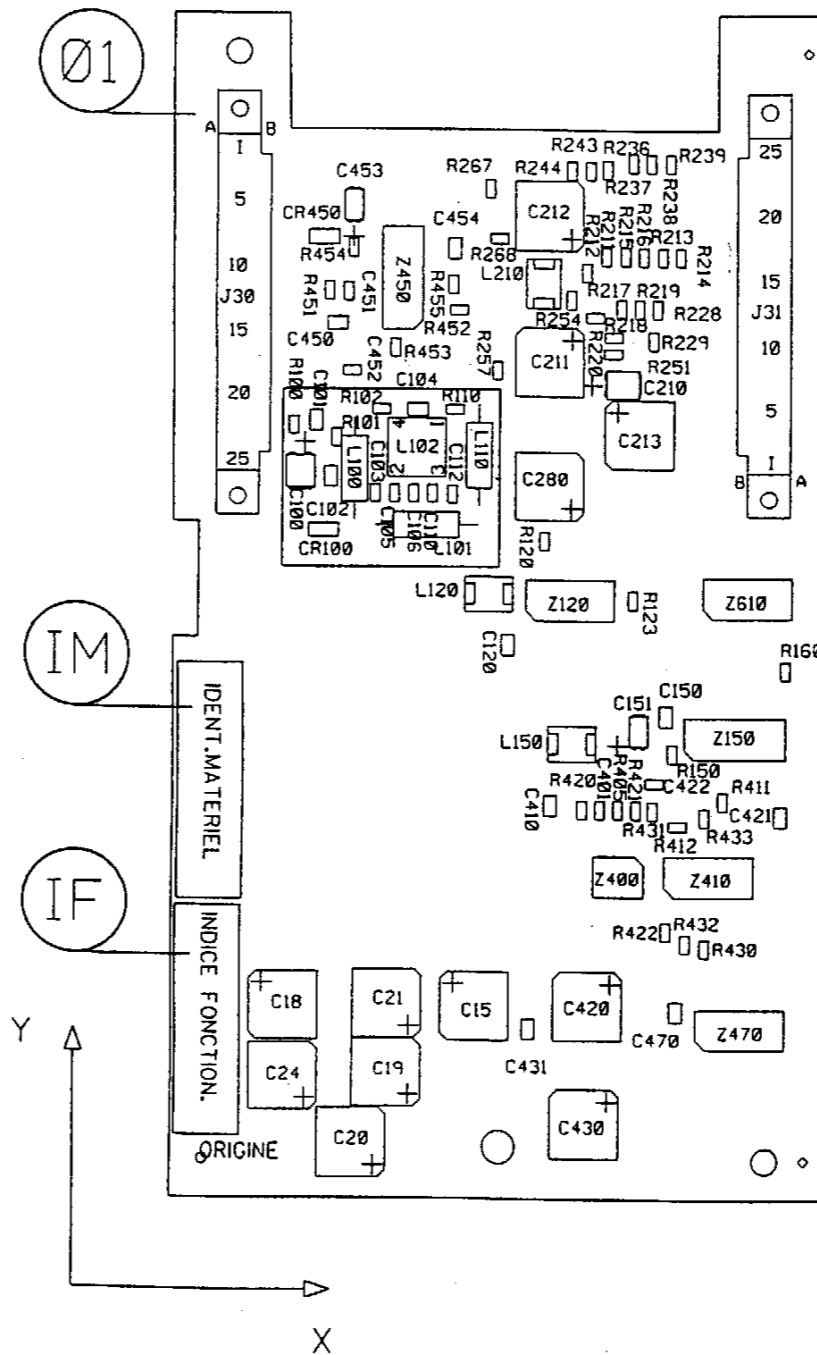
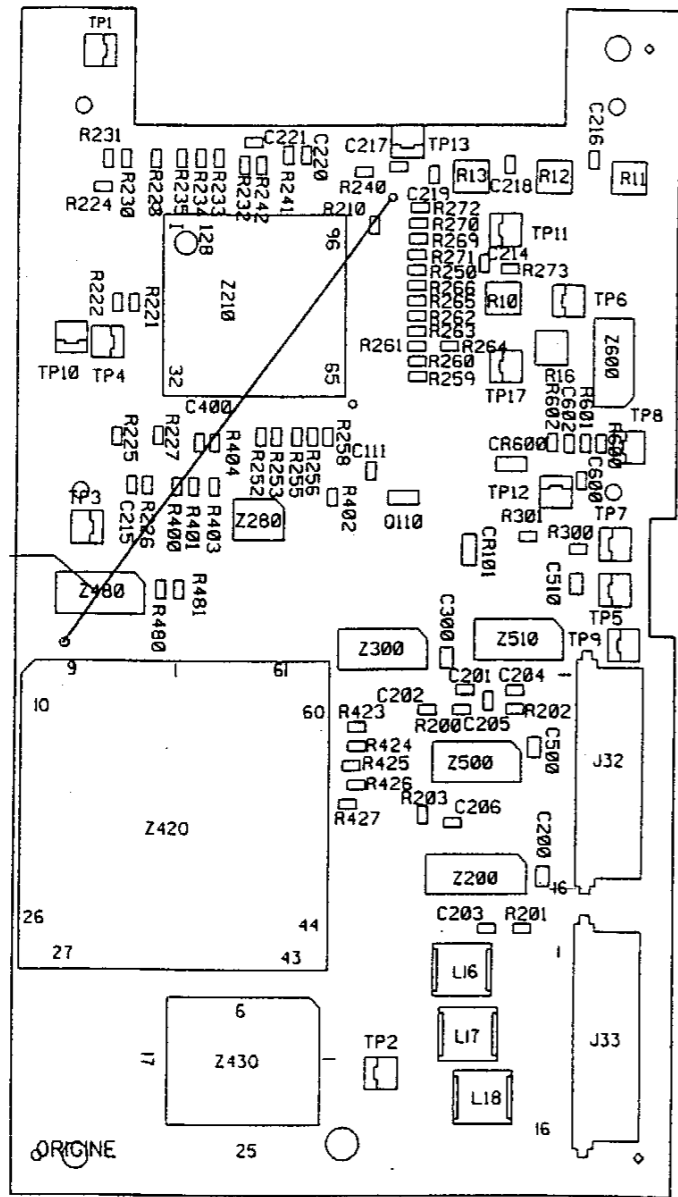
All rights reserved.
 Contents of this document may not be reproduced in any form
 without the prior written permission of THOMSON MICROELECTRONICS.

Conformément de la réglementation de la sécurité, il est recommandé d'utiliser des composants
 de sécurité pour les applications critiques. Les composants de sécurité sont disponibles sur demande.



MATSUSHITA (MM 3758) (1MM 3768)

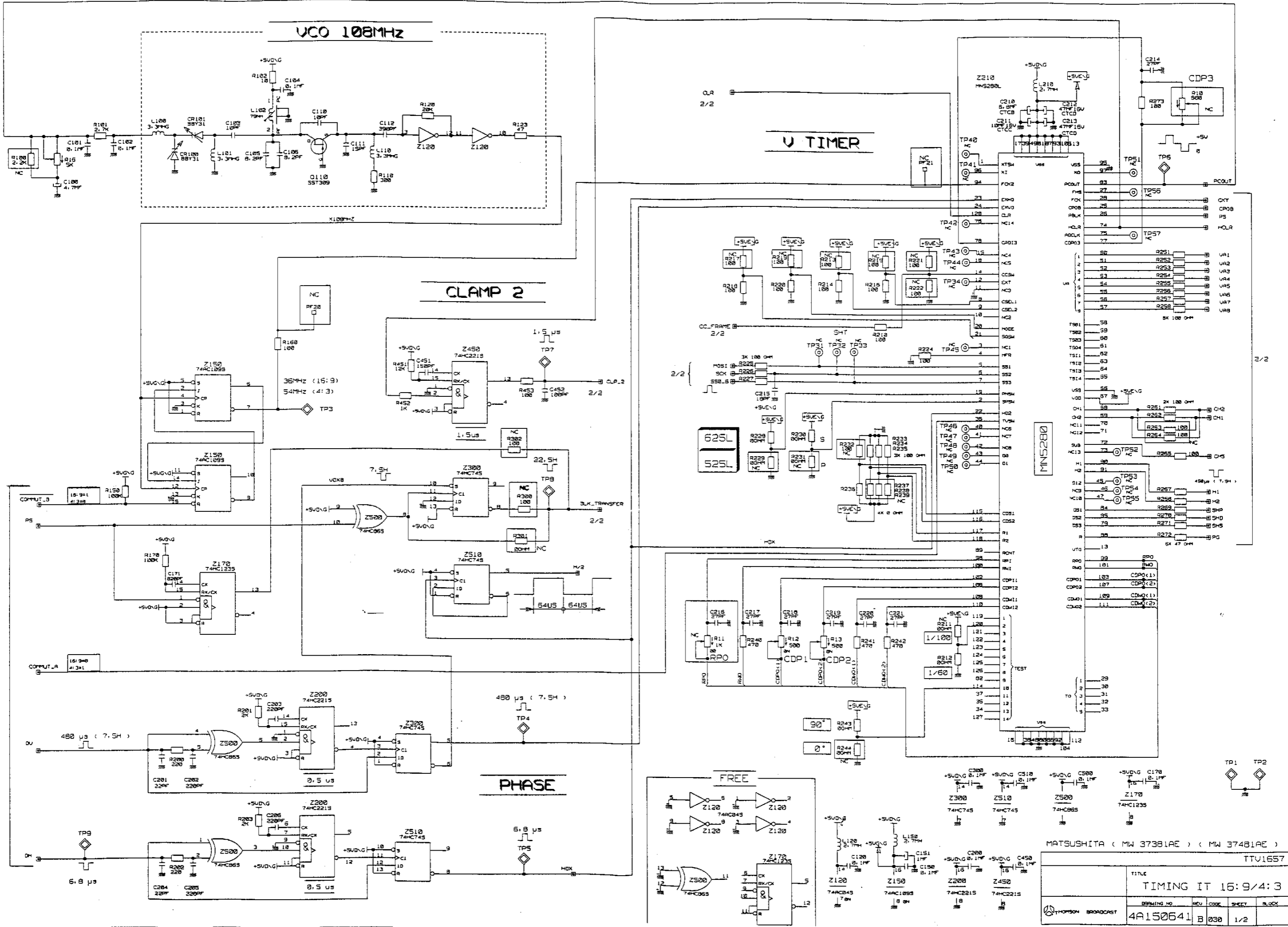
CAMERA				
TIMING FIT 4/3 16/9 (N)				
THOMSON	DRAWING NO	REV	CODE	SHEET / BLOCK
	47033338	030	02/02	



CAMERA				
TITLE				
TIMING FIT 4/3 16/9 (N)				
DRAWING NO	REV	CODE	SHEET	BLOCK
THOMSON	47033338	046	01/01	

All rights reserved. This document is the property of Thomson Broadcast. It is not to be reproduced, stored in a retrieval system, or transmitted in any form or by any means, electronic, mechanical, photocopying, recording, or by any information storage and retrieval system, without the prior written permission of Thomson Broadcast.

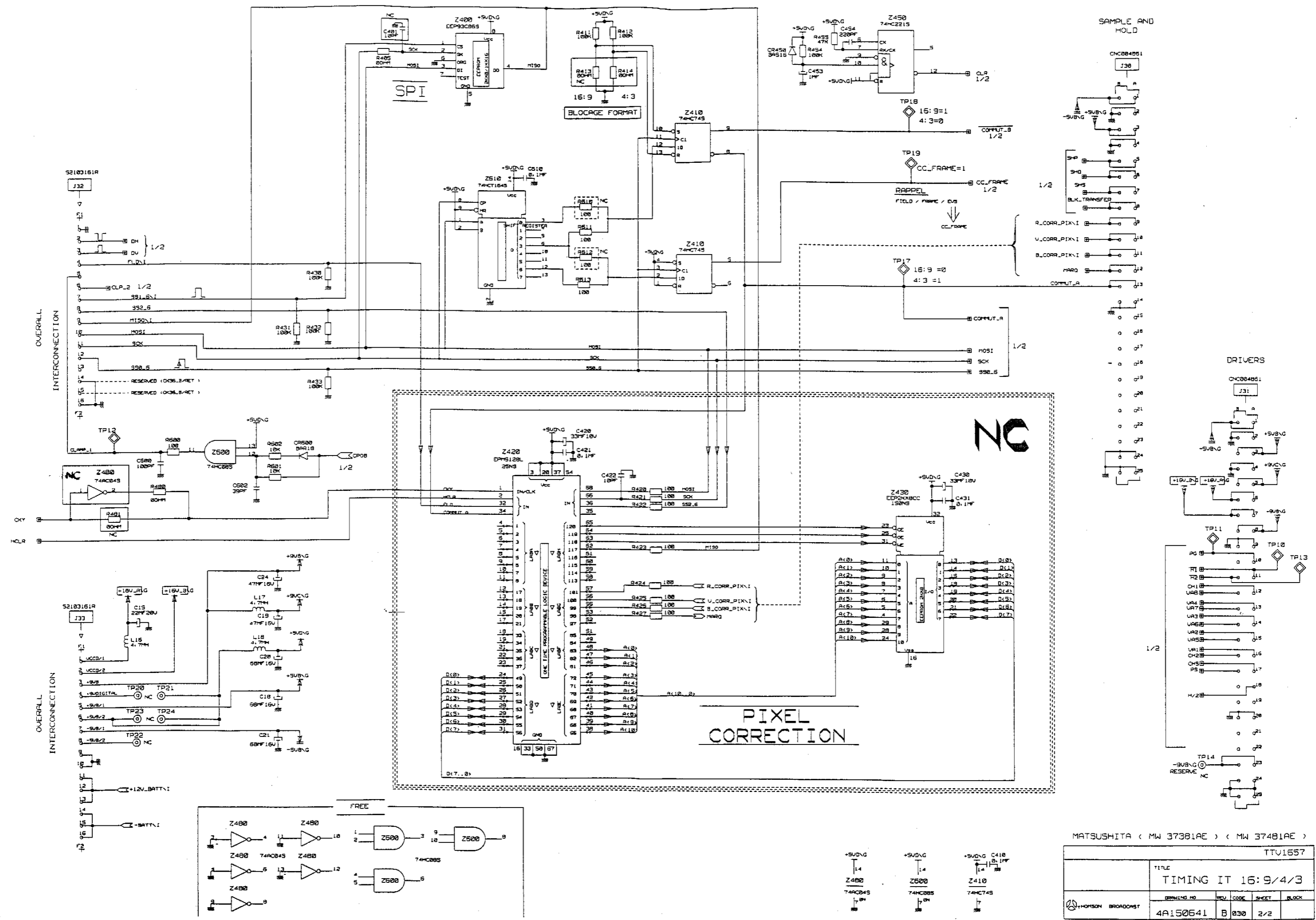
Ce document est la propriété de Thomson Broadcast. Il n'est pas à être reproduit, stocké dans un système de recherche, ou transmis sous quelque forme que ce soit, électronique, mécanique, par photocopie, enregistrement, ou par tout système de stockage et de récupération d'information, sans la permission écrite préalable de Thomson Broadcast.



MATSUSHITA (MW 37381AE) (MW 37481AE)				
TTU1657				
TIMING IT 16:9/4:3				
DESIGNING NO.	REV.	CODE	SHEET	BLOCK
4A150641	B	030	1/2	

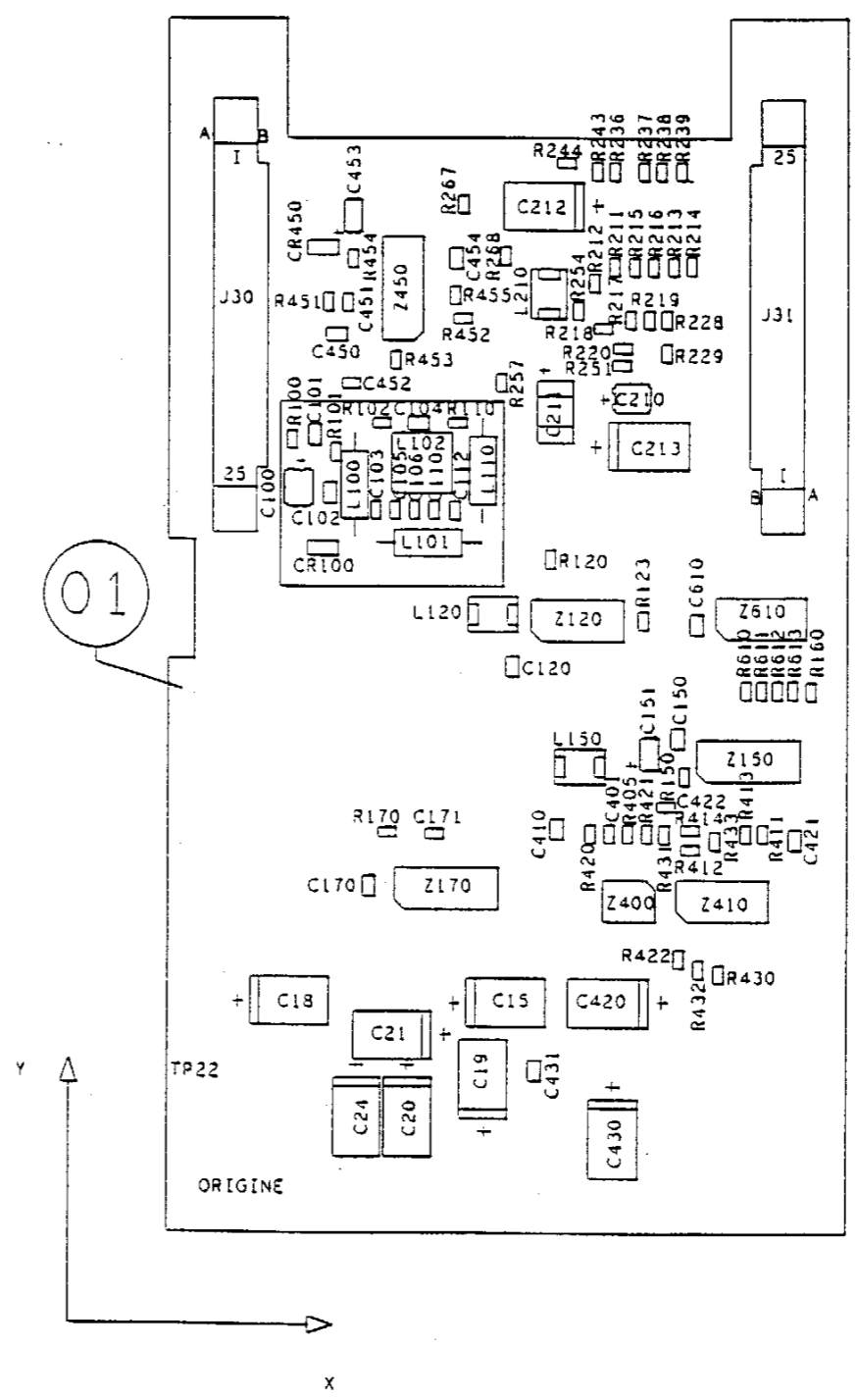
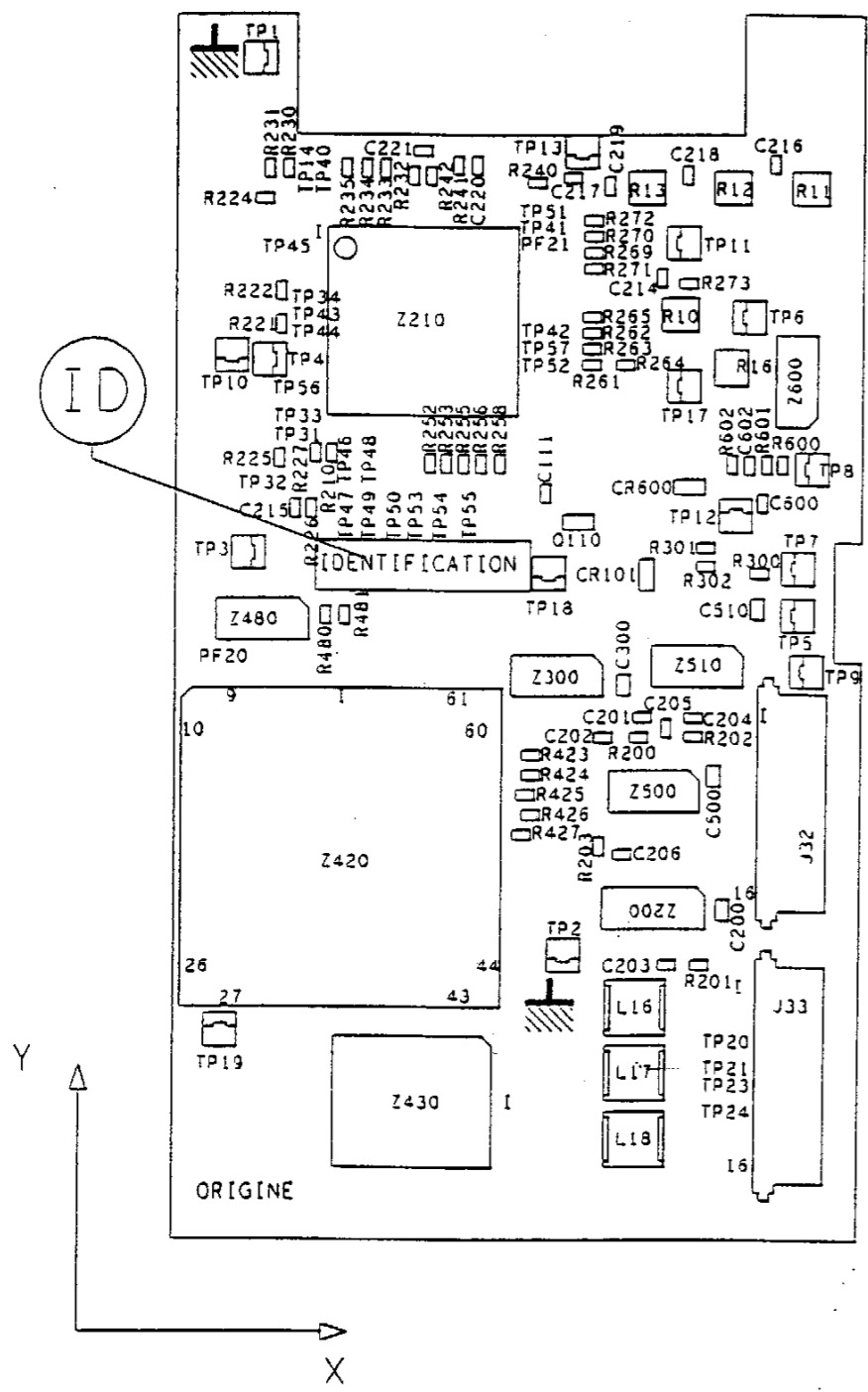
ALL RIGHTS RESERVED.
 CONTENTS OF THIS DOCUMENT MAY NOT BE REPRODUCED IN ANY FORM
 OR TRANSMITTED IN ANY MANNER WITHOUT THE WRITTEN PERMISSION
 OF AN AUTHORIZED PERSON OF THOMSON BROADCASTING.

Ce document est le propriété de la société Thomson Broadcast.
 Il ne peut être réproduit, ni communiqué à un tiers sans autorisation
 écrite d'un des personnes mentionnées ci-dessus.



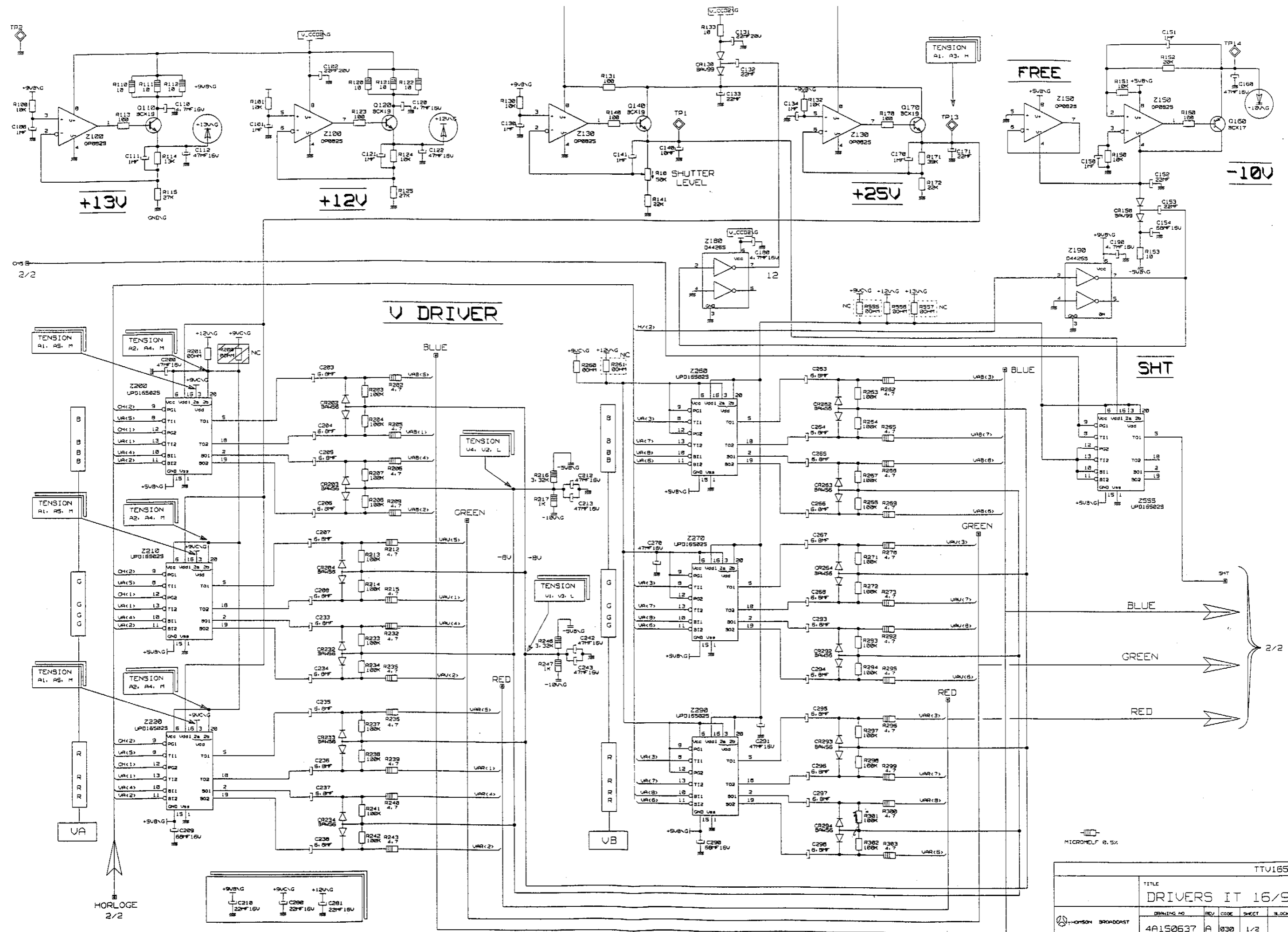
MATSUSHITA (MW 37381AE) (MW 37481AE)

TTV1657			
TITLE			
TIMING IT 16:9/4/3			
DRAWING NO	REV. CODE	SHEET	BLOCK
4A150641	B 030	2/2	



CAMERA					
TITLE					
TIMING					
DRAWING NO		REV	CODE	SHEET	BLOCK
THOMSON		4A150641	046	01/01	

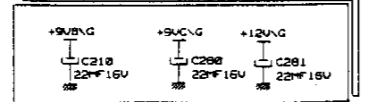
ALL RIGHTS RESERVED. THIS DOCUMENT IS THE PROPERTY OF THOMSON BROADCAST AND IS LOANED TO YOU BY THE BROADCASTING CORPORATION. IT IS TO BE USED ONLY FOR THE PURPOSES FOR WHICH IT WAS LOANED AND IS NOT TO BE REPRODUCED OR TRANSMITTED IN ANY FORM OR BY ANY MEANS, ELECTRONIC OR MECHANICAL, INCLUDING PHOTOCOPYING, RECORDING, OR BY ANY INFORMATION STORAGE AND RETRIEVAL SYSTEM. WITHOUT THE WRITTEN PERMISSION OF AN AUTHORIZED OFFICER OF THOMSON BROADCAST.



TTV1657				
TITLE DRIVERS IT 16/9				
DRAWING NO	REV	CODE	SHEET	BLOCK
4A150637	A	030	1/2	

MICROELF 0.5%

HORIZONE
2/2

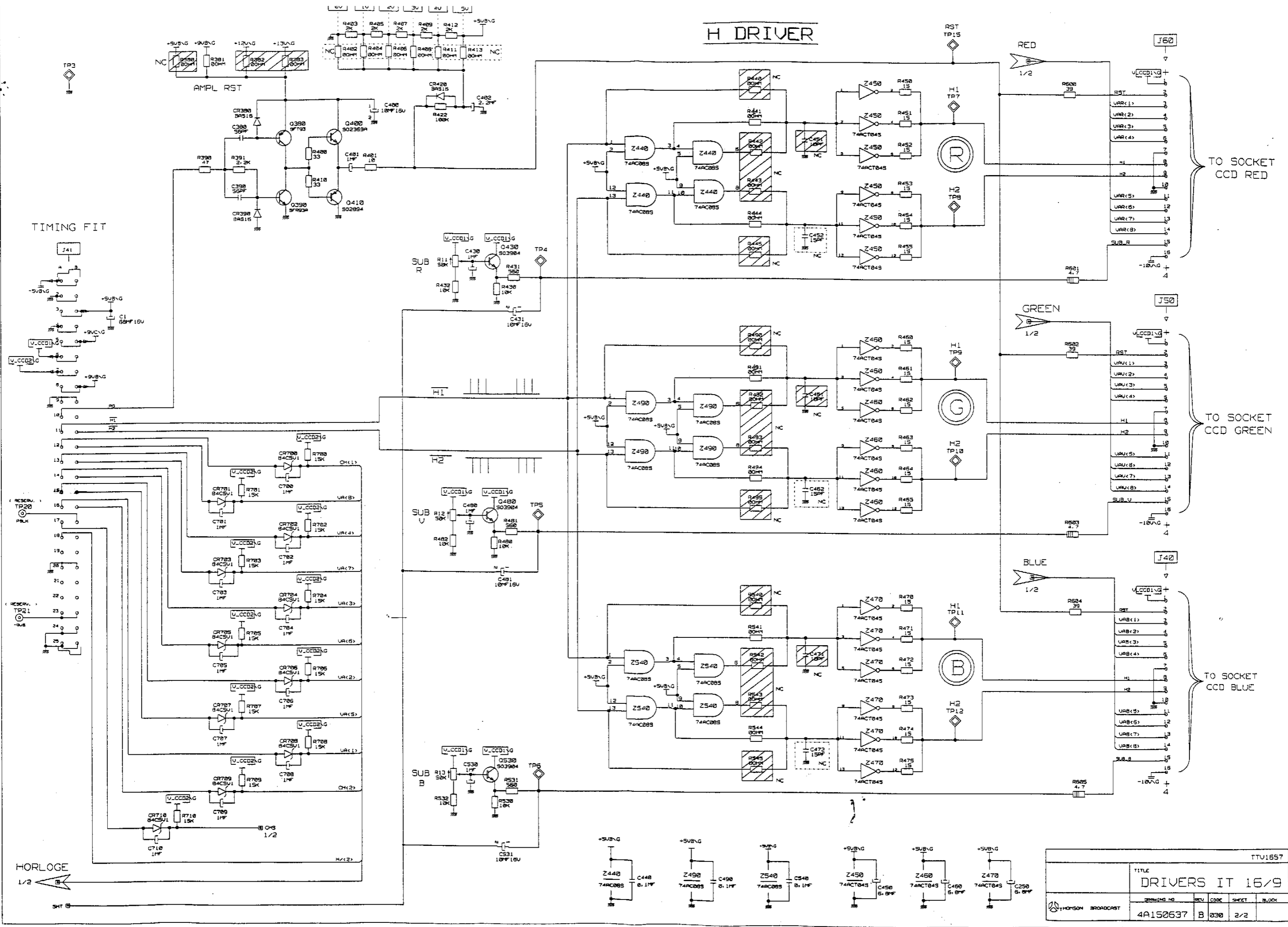


2/2

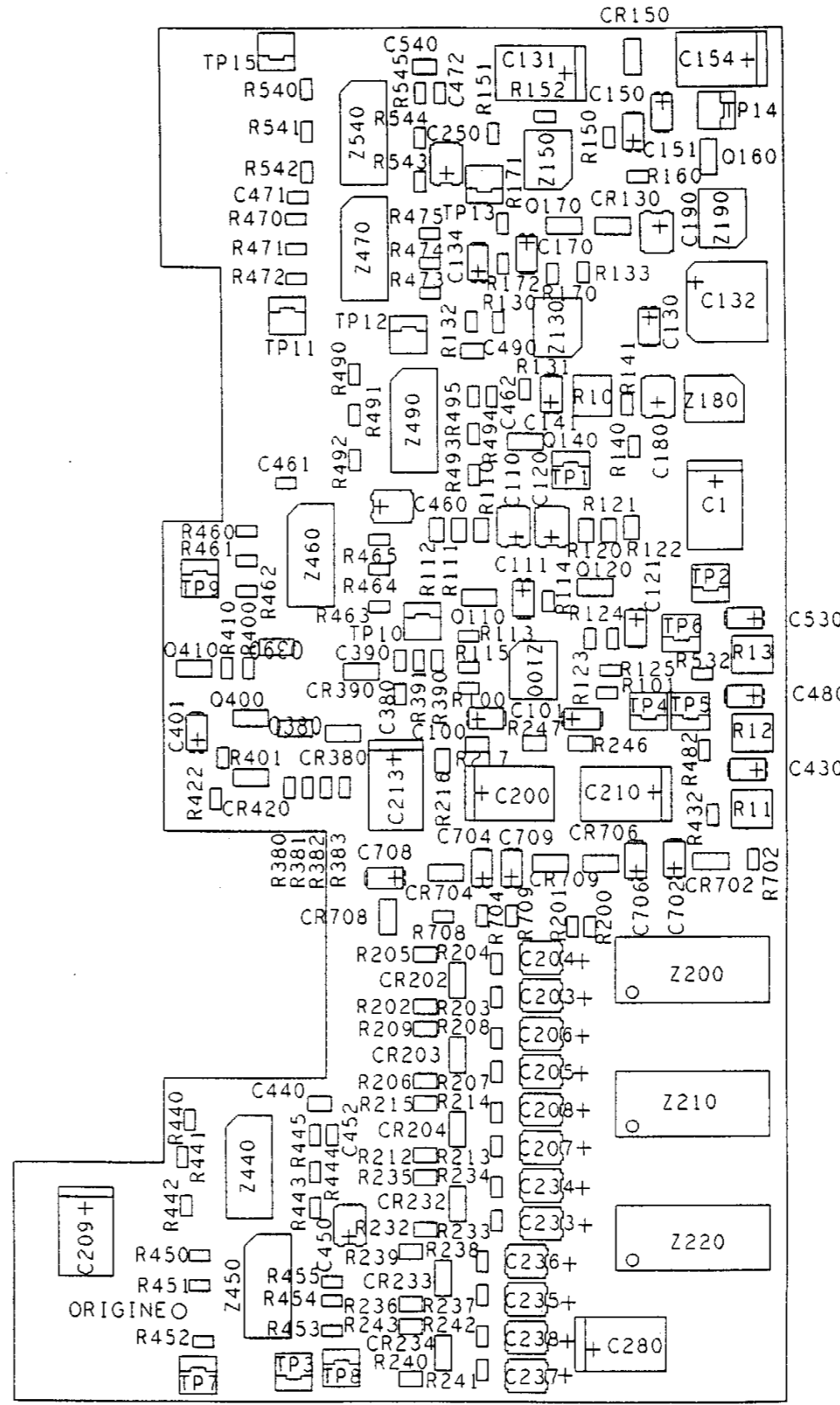
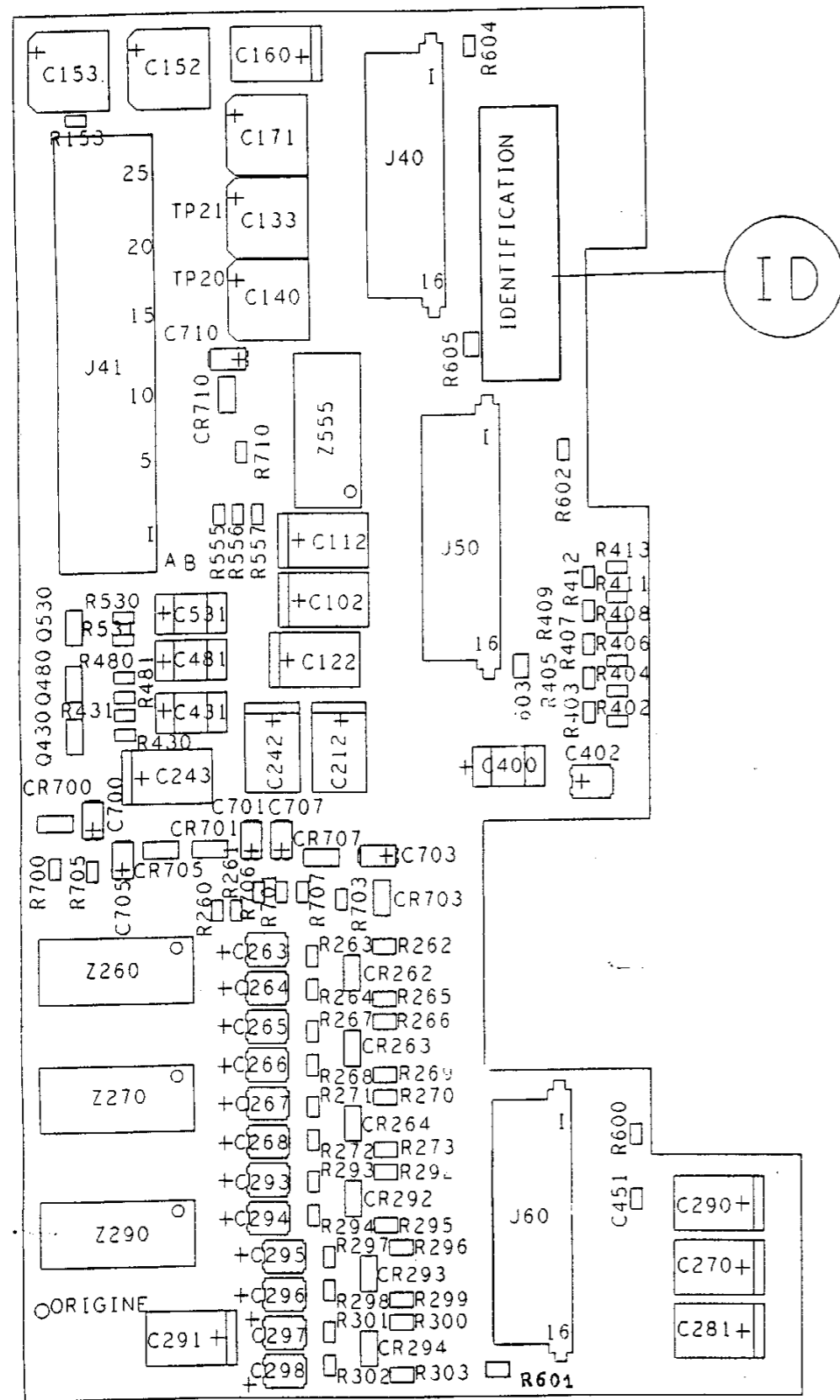
2/2

ALL RIGHTS RESERVED.
 Contents of this document may not be reproduced in any form
 without the prior written permission of Thomson Broadcast.

Ce document est la propriété de Thomson Broadcast.
 Toute réimpression ou utilisation non autorisée sans la permission
 écrite de Thomson Broadcast est formellement interdite.

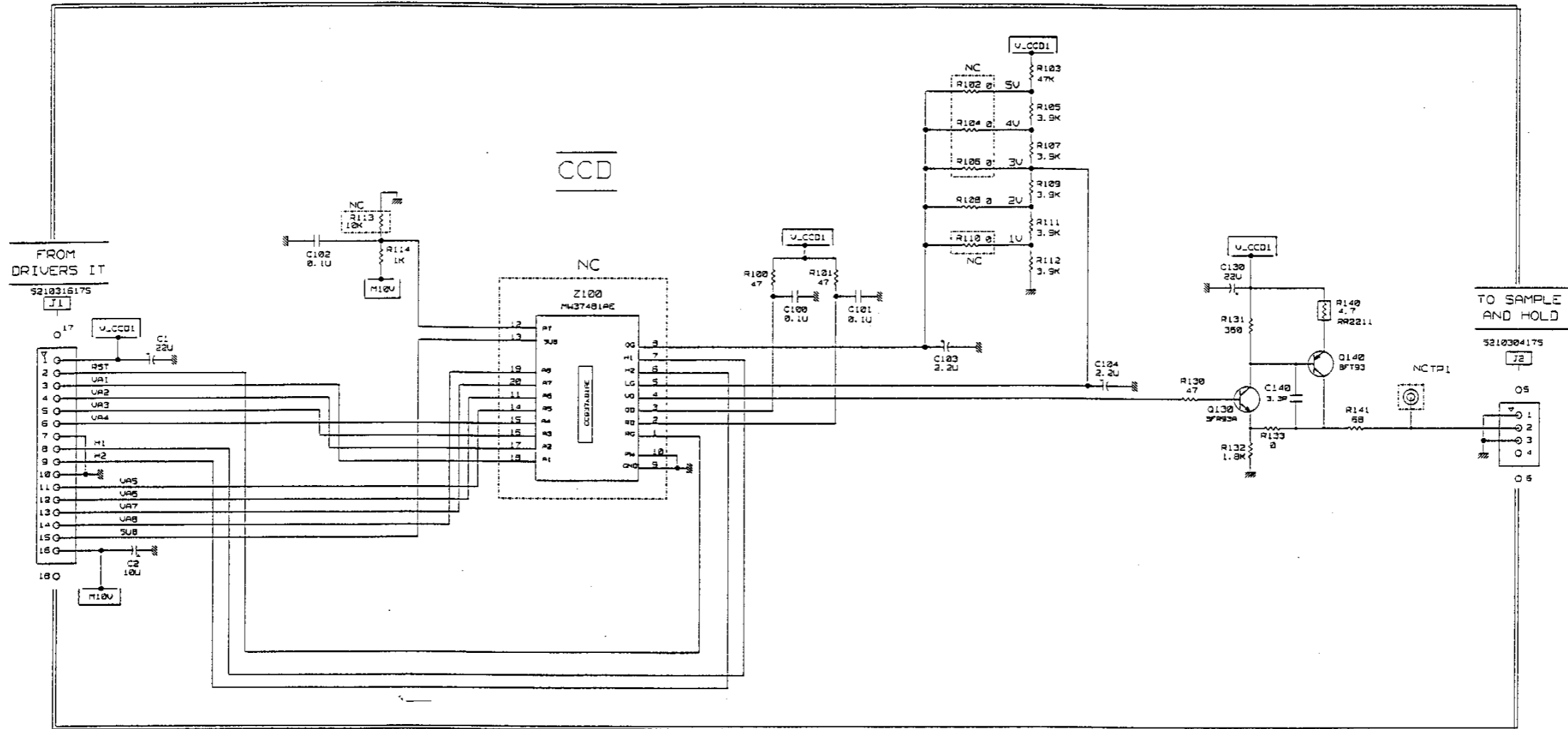


TTV1557				
TITLE DRIVERS IT 16/9				
FORMING NO	REV	CODE	SHEET	BLOCK
4A150637	B	030	2/2	

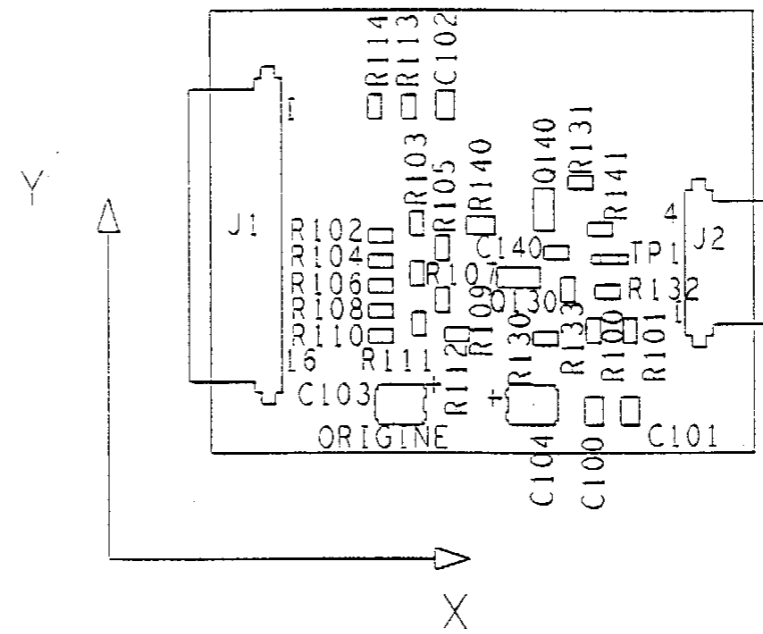
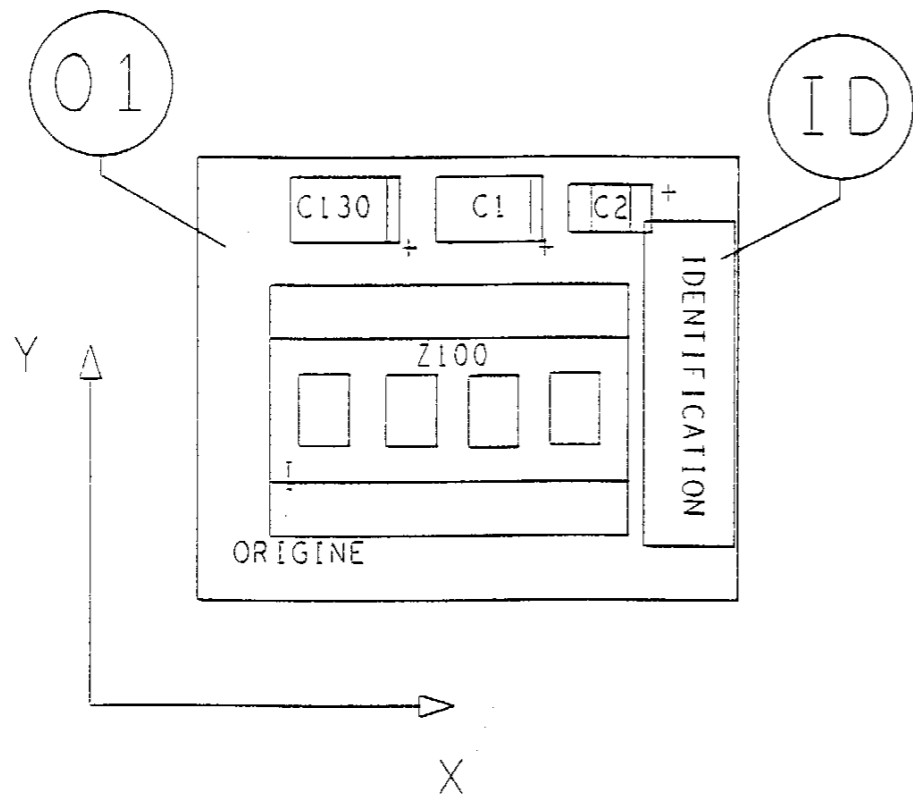


CAMERA					
TITLE DRIVER IC					
THOMSON	DRAWING NO	REV	CODE	SHEET	BLOCK
	4A150637	046	01/01		

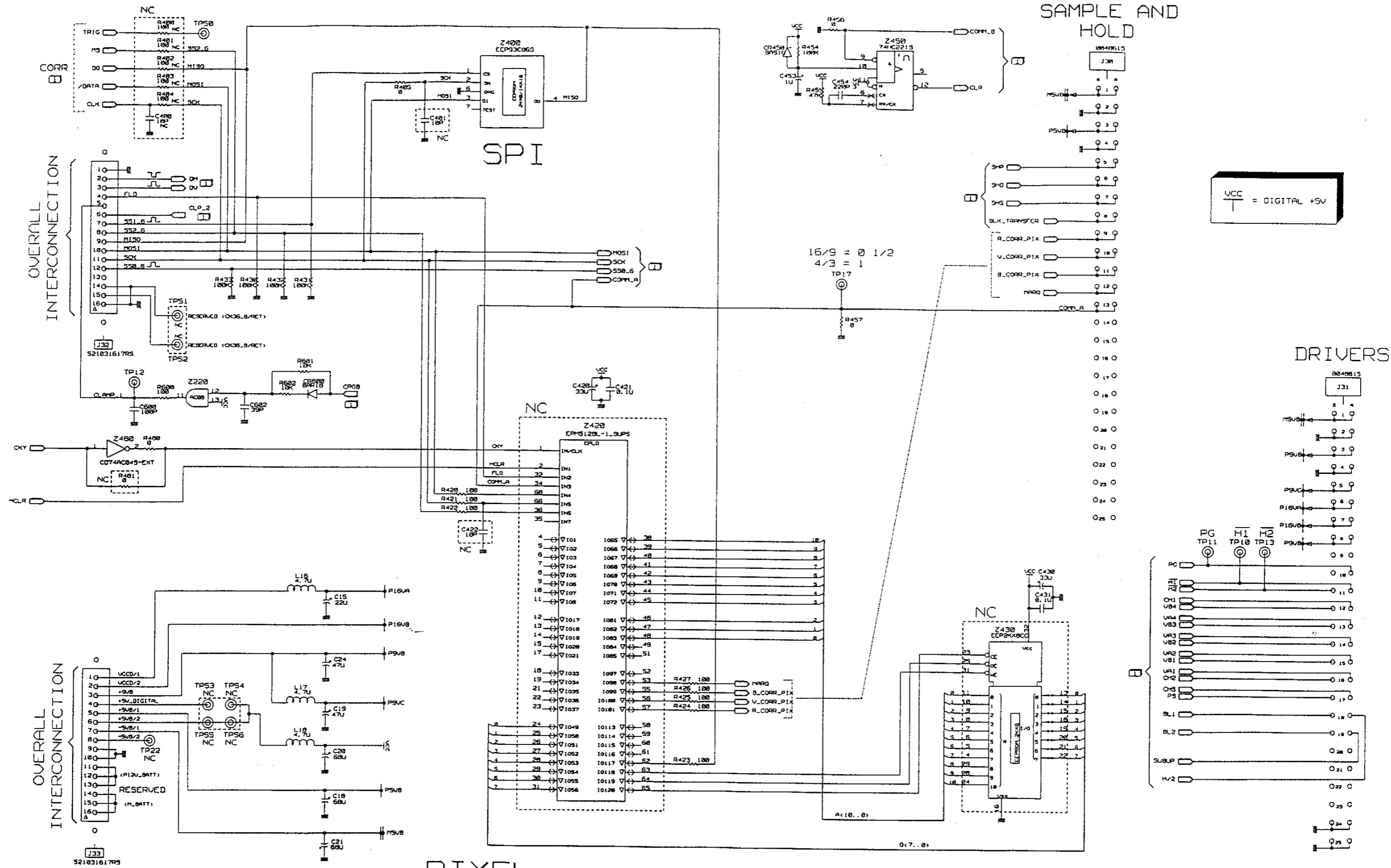
ALL RIGHTS RESERVED.
 Contents of this document are confidential and may be
 not transmitted to a third party without the written permission
 of an authorized person of Thomson Broadcast.



TTU1557D-1657A-1657D-1707				
TITLE SOCKET IT 16/9 RGB				
08-10-98	DRAWING NO	REV CODE	SHEET	BLOCK
THOMSON BROADCAST	4A150534	A 030	1/1	



CAMERA					
TITLE BLUECCD SOCKET IT 16/9					
DRAWING NO		REV	CODE	SHEET	BLOCK
THOMSON 4A150634		046	01/01		

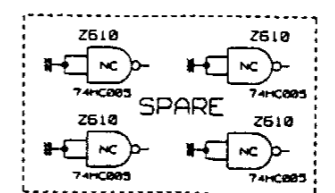
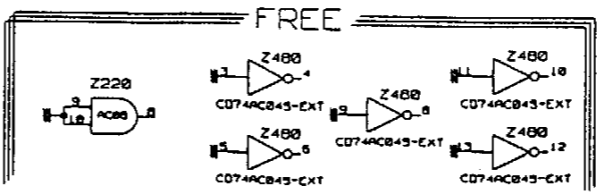


SAMPLE AND HOLD

VCC = DIGITAL +5V

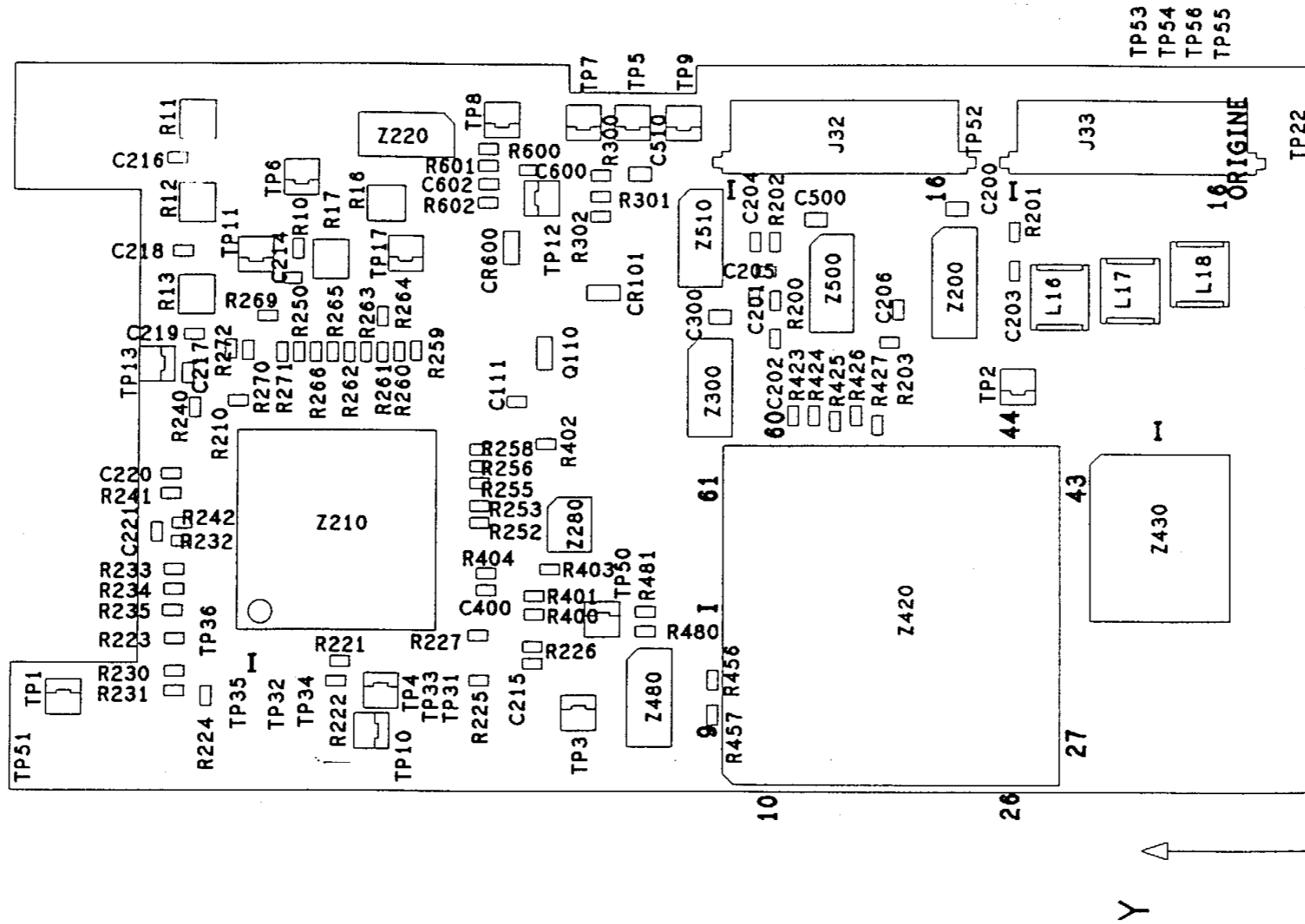
DRIVERS

PIXEL CORRECTION



CCD MW3769 / MW3759

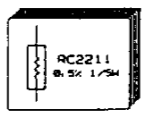
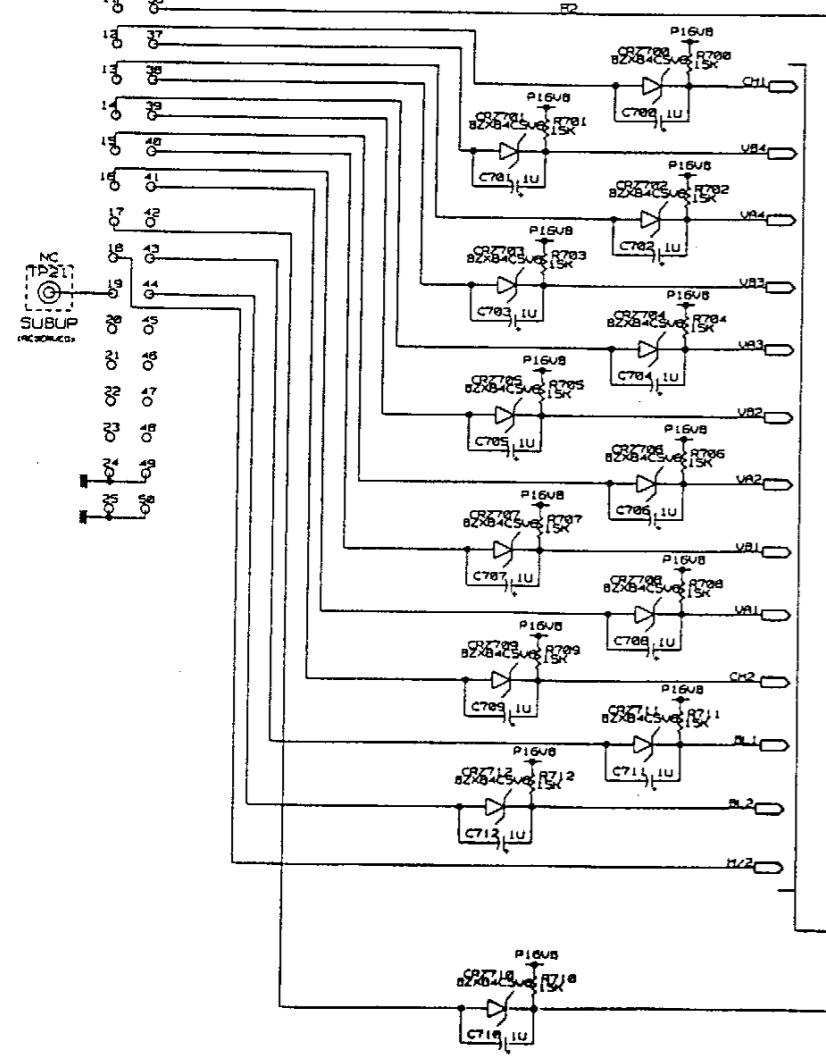
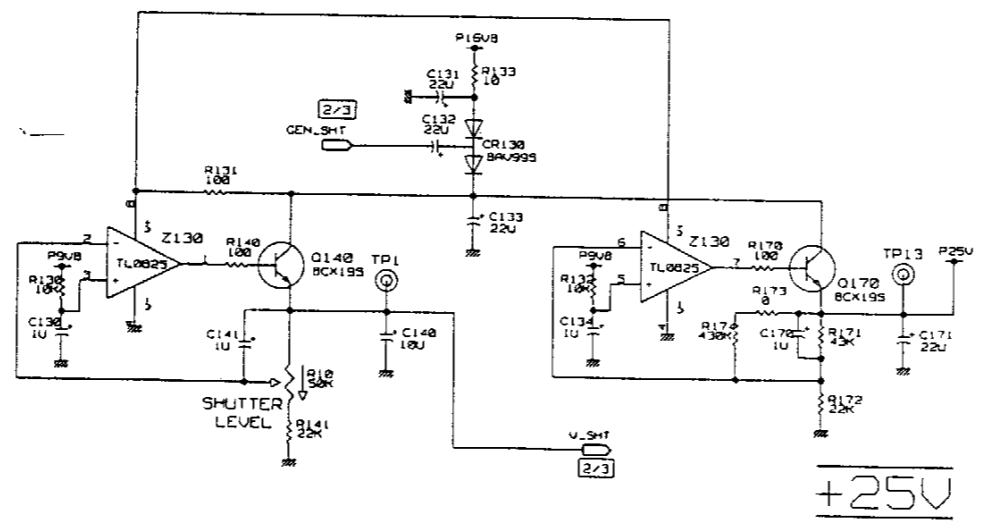
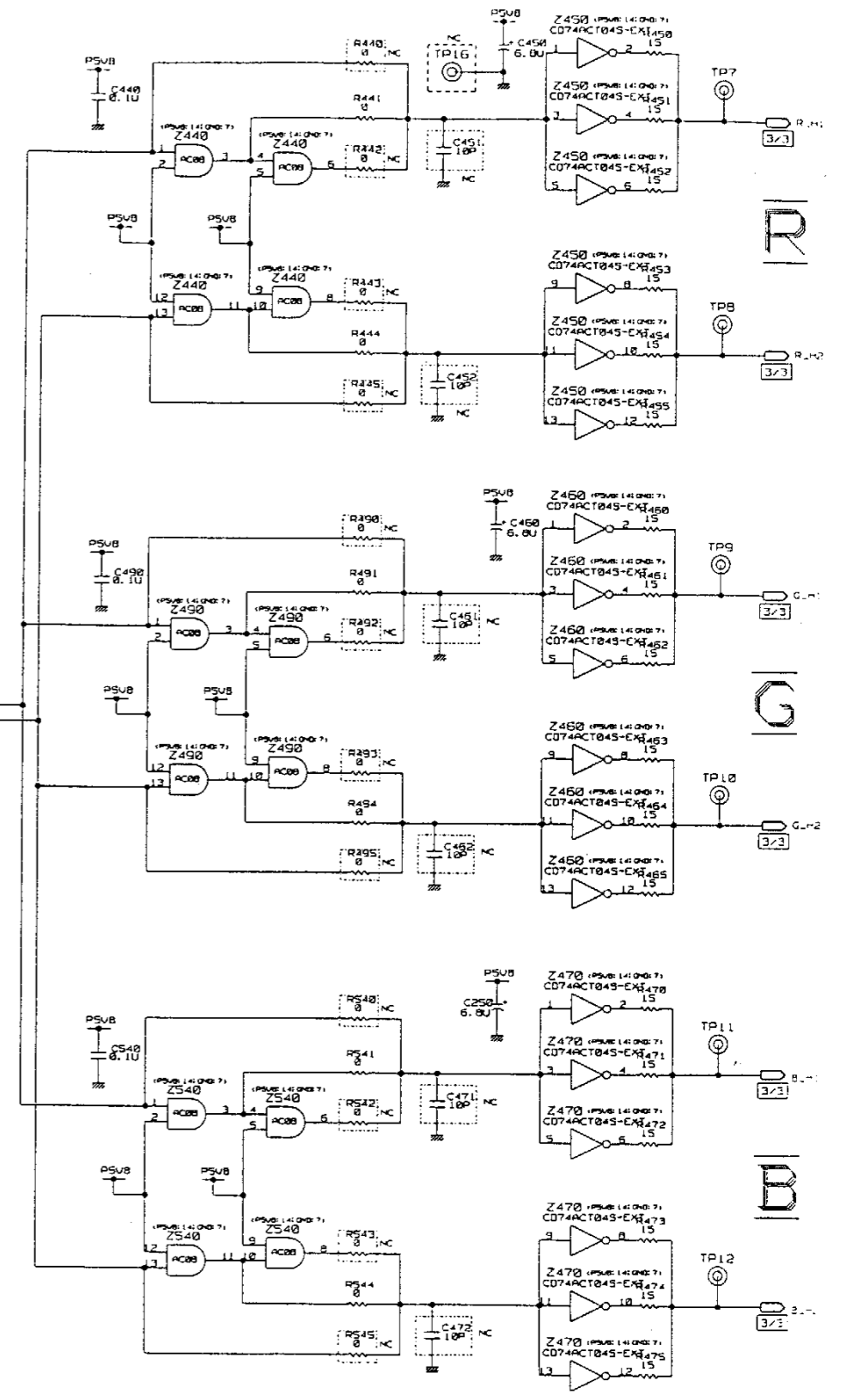
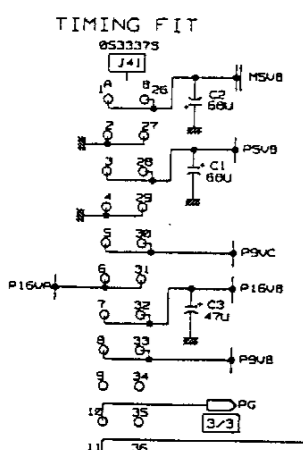
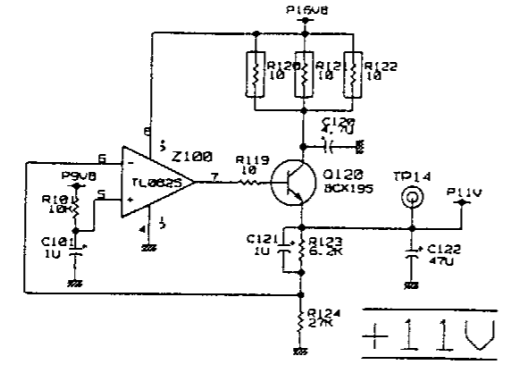
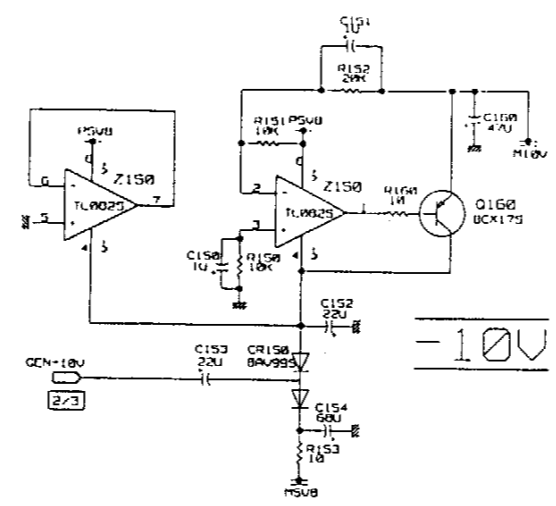
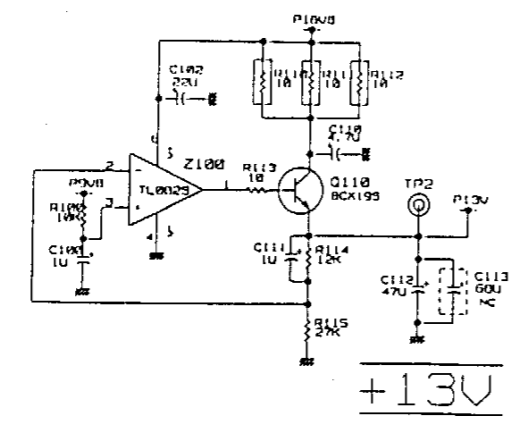
CAMERA				
TITLE				
TIMING FIT 16/9 -1250PTS				
DRAWING NO	REV CODE	SHEET	BLOCK	
THOMSON	46150605	030	02/02	



CAMERA					
TITLE					
TIMING FIT 16/9 -1250 PTS					
DRAWING NO		REV	CODE	SHEET	BLOCK
46150605		046	01/02		

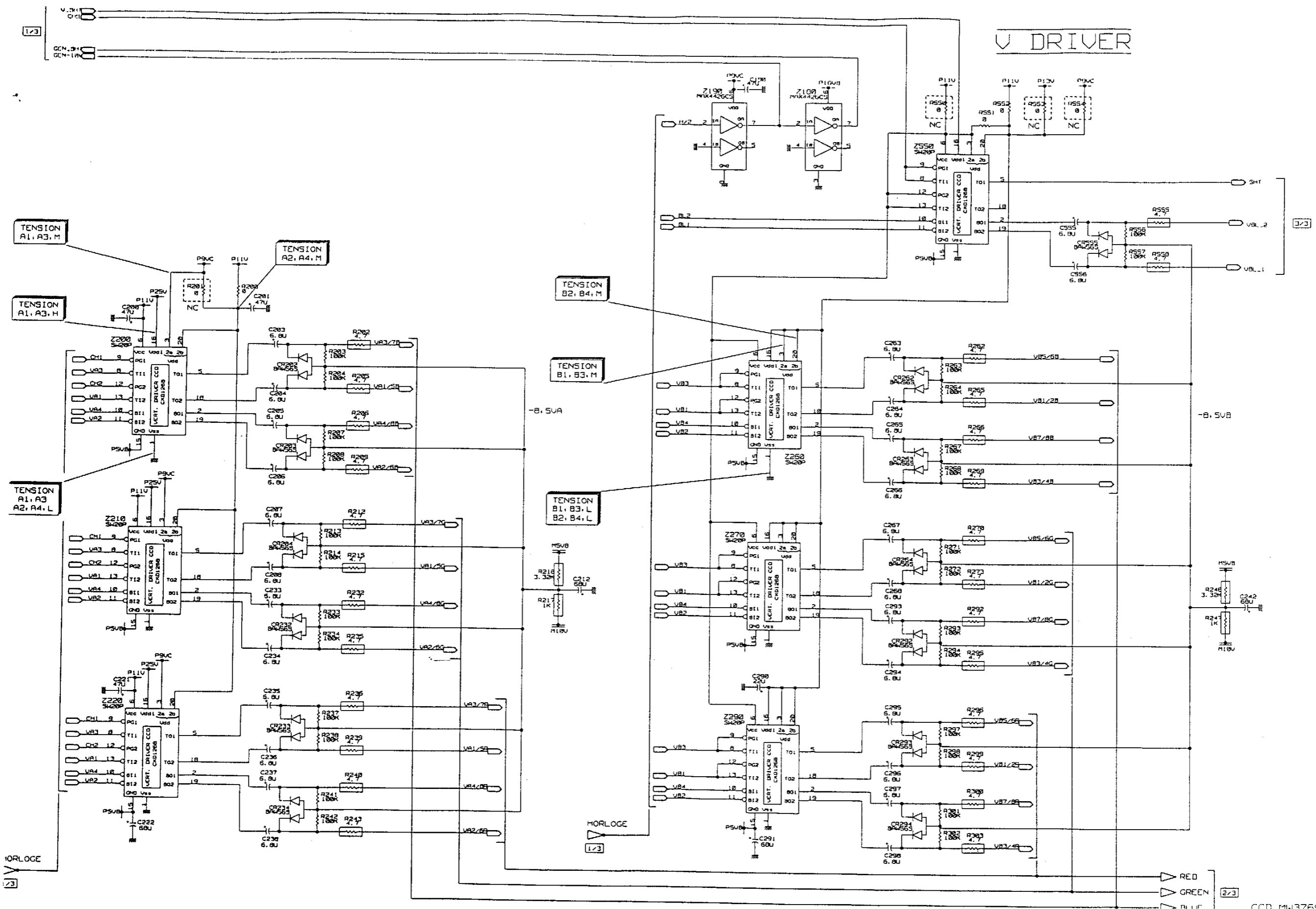
THOMSON

H DRIVER



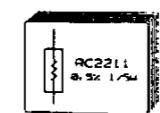
CCD MW3759 / 377

CAMERA				
TITLE				
DRIVER FIT 16/9 -1250 PTS				
THOMSON	DRAWING NO	REV	CODE	SHEET
	46150606	030	01/03	BLOCK

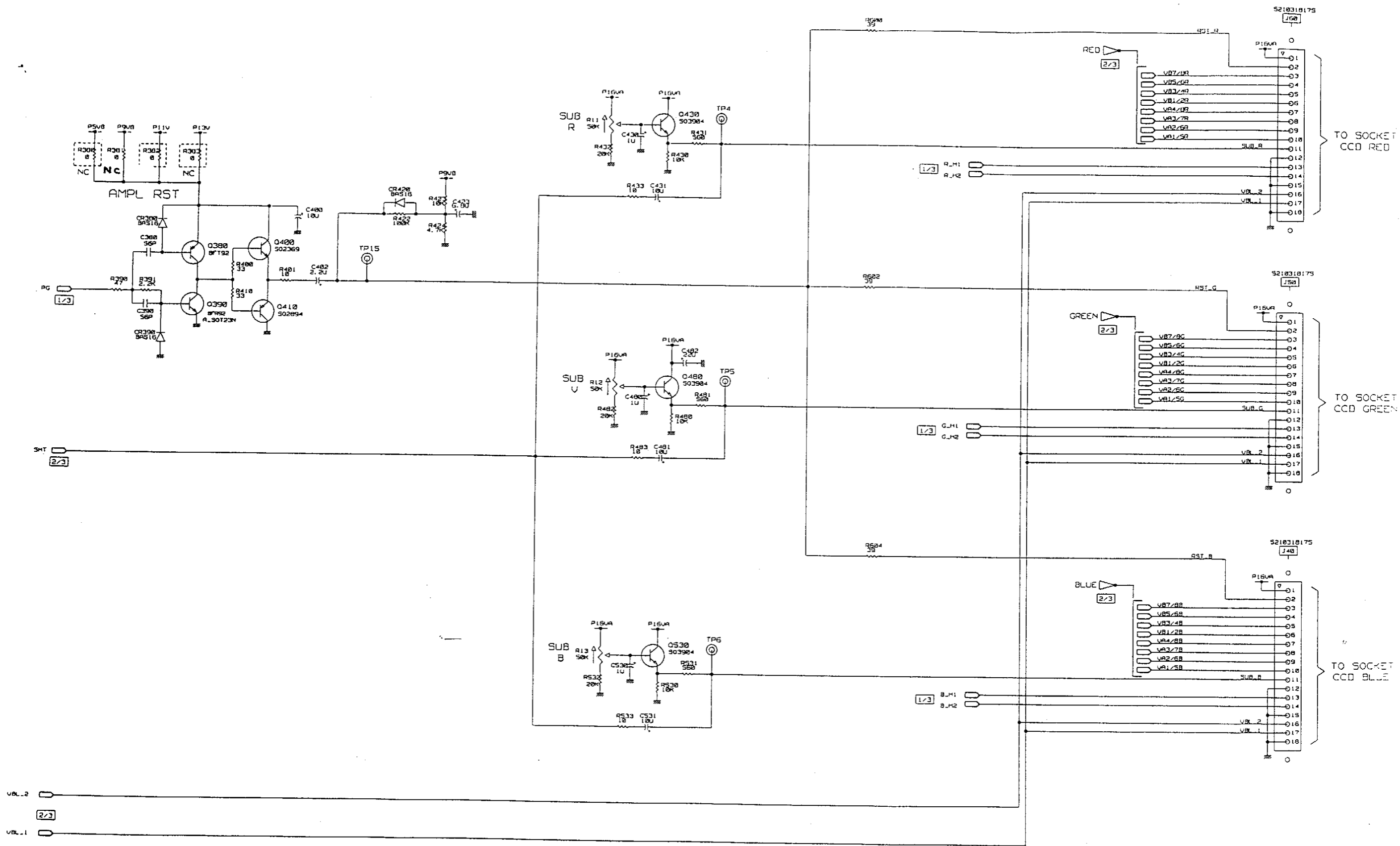


V DRIVER

CCD MW3769 / M.3

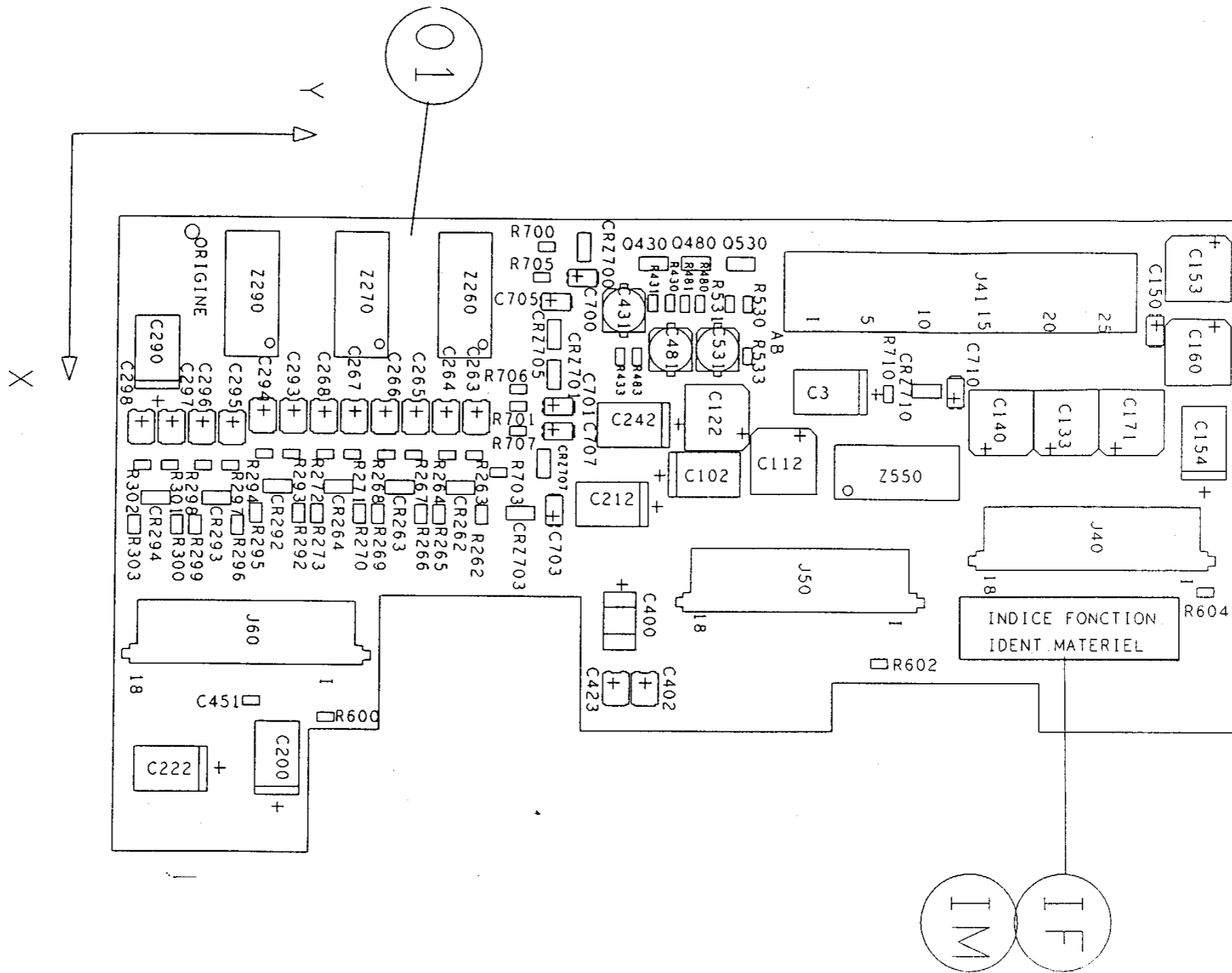


CAMERA				
TITLE DRIVER FIT 16/9 -1250 PTS				
THOMSON	DRAWING NO	REV	CODE	SHEET
	46150606	030	02/03	BLOCK



CCD NUMBER / M.U.

		CAMERA	
		TITLE	
		DRIVER FIT 16/9 -1250 PTS	
THOMSON	DRAWING NO	REV CODE	SHEET BLOCK
	46150606	030	03/03

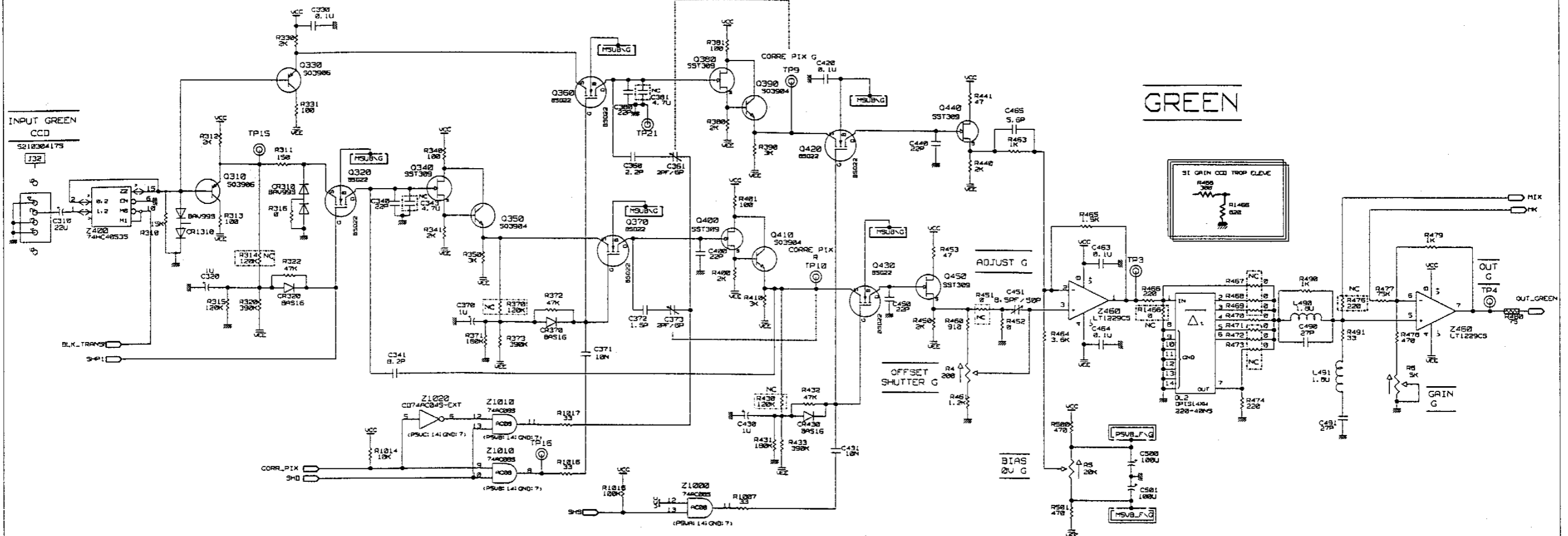


CAMERA				
TITLE DRIVER FIT 16/9 -1250 PTS				
THOMSON	DRAWING NO	REV	CODE	SHEET
	46150606		046	01/02

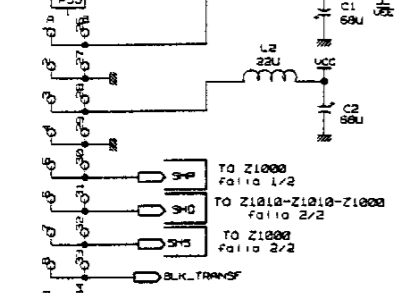
ALL RIGHTS RESERVED.
 THIS DRAWING IS THE PROPERTY OF THOMSON BROADCAST.
 IT IS NOT TO BE REPRODUCED OR TRANSMITTED IN ANY FORM OR BY ANY MEANS, ELECTRONIC OR MECHANICAL, WITHOUT THE WRITTEN PERMISSION OF THOMSON BROADCAST.

INPUT GREEN
 CCD
 S210304175

GREEN

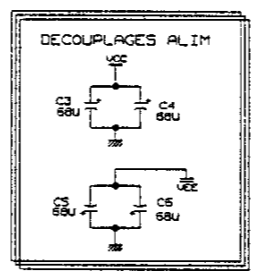


FROM TIMING

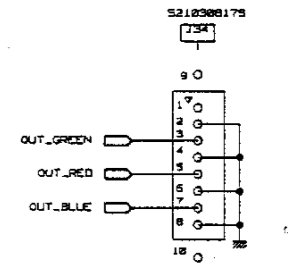


TO Z1000
 folio 1/2
 TO Z1010-Z1010-Z1000
 folio 2/2
 TO Z1000
 folio 2/2
 BLK_TRANSF

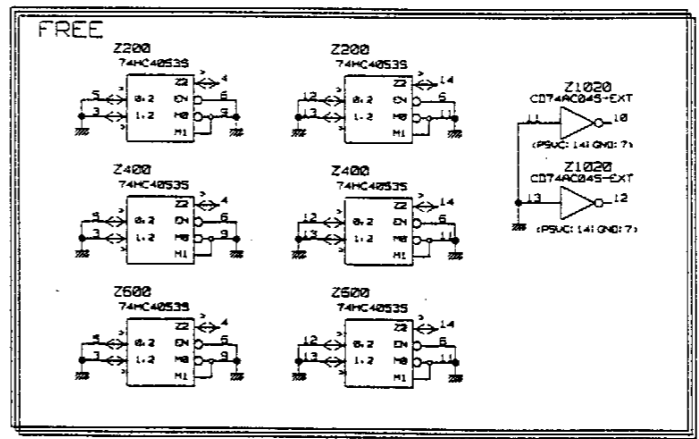
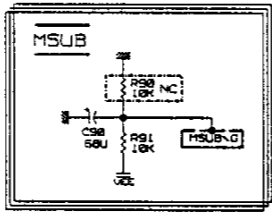
TO Z1010-Z1010-Z1000
 folio 1/2
 TO Z1020
 folio 1/2
 CORR_PIX
 MARK
 COMPUT_A



TO PROCESS

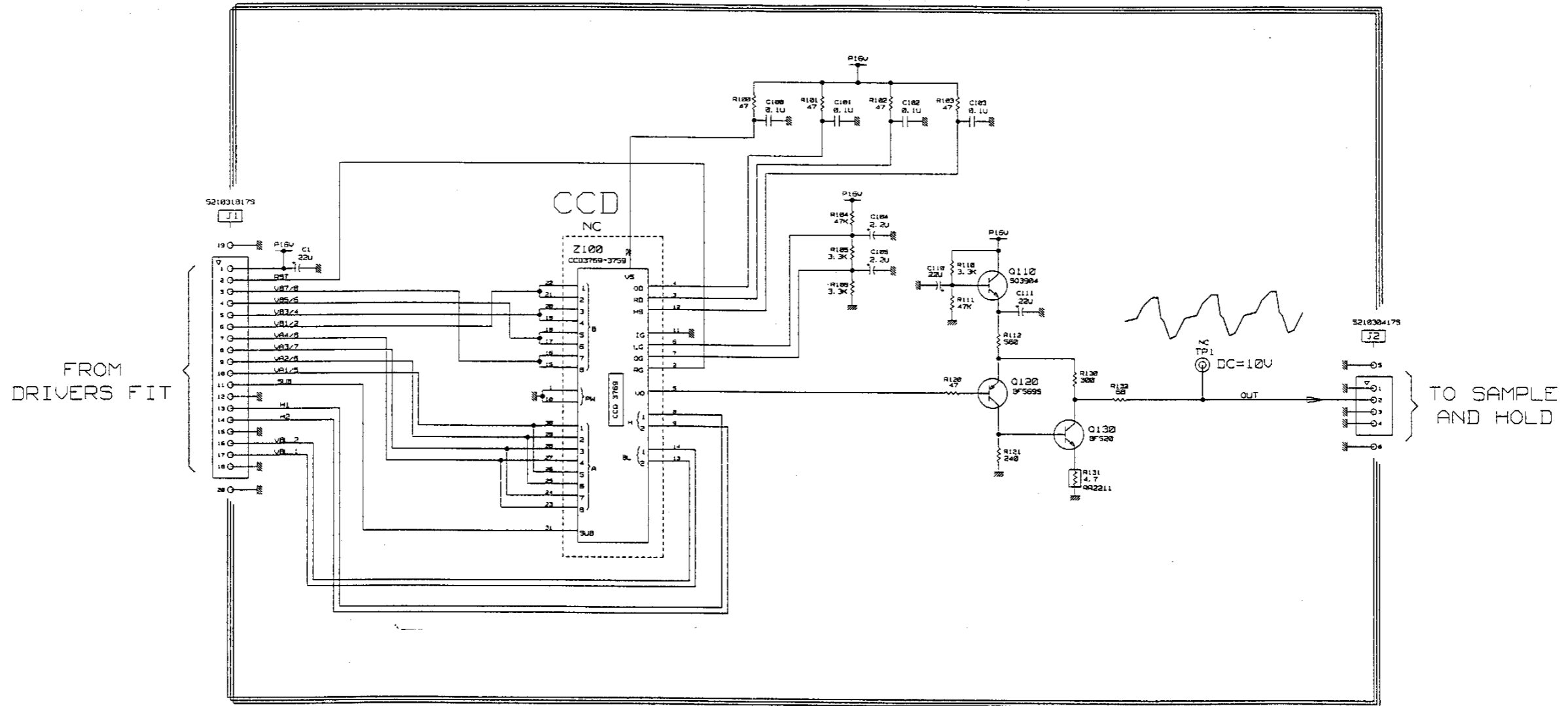


UCC = +5V
 VEE = -5V

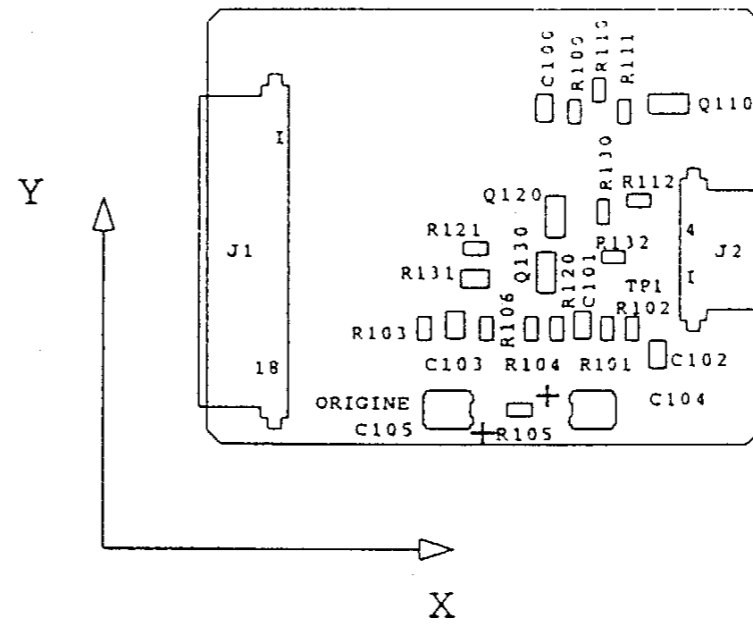
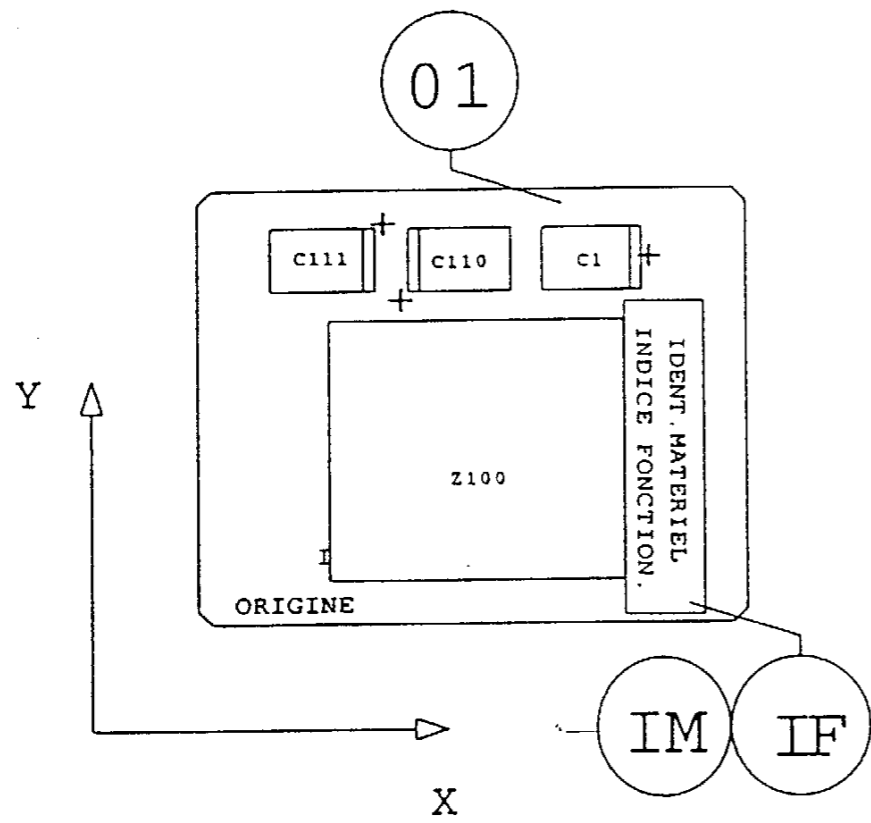


TTU	
TITLE SAMPLE AND HOLD	
20-11-97	DRAWING NO 46150657
THOMSON BROADCAST	REV CODE C 030
	SHEET 2/2
	BLOCK

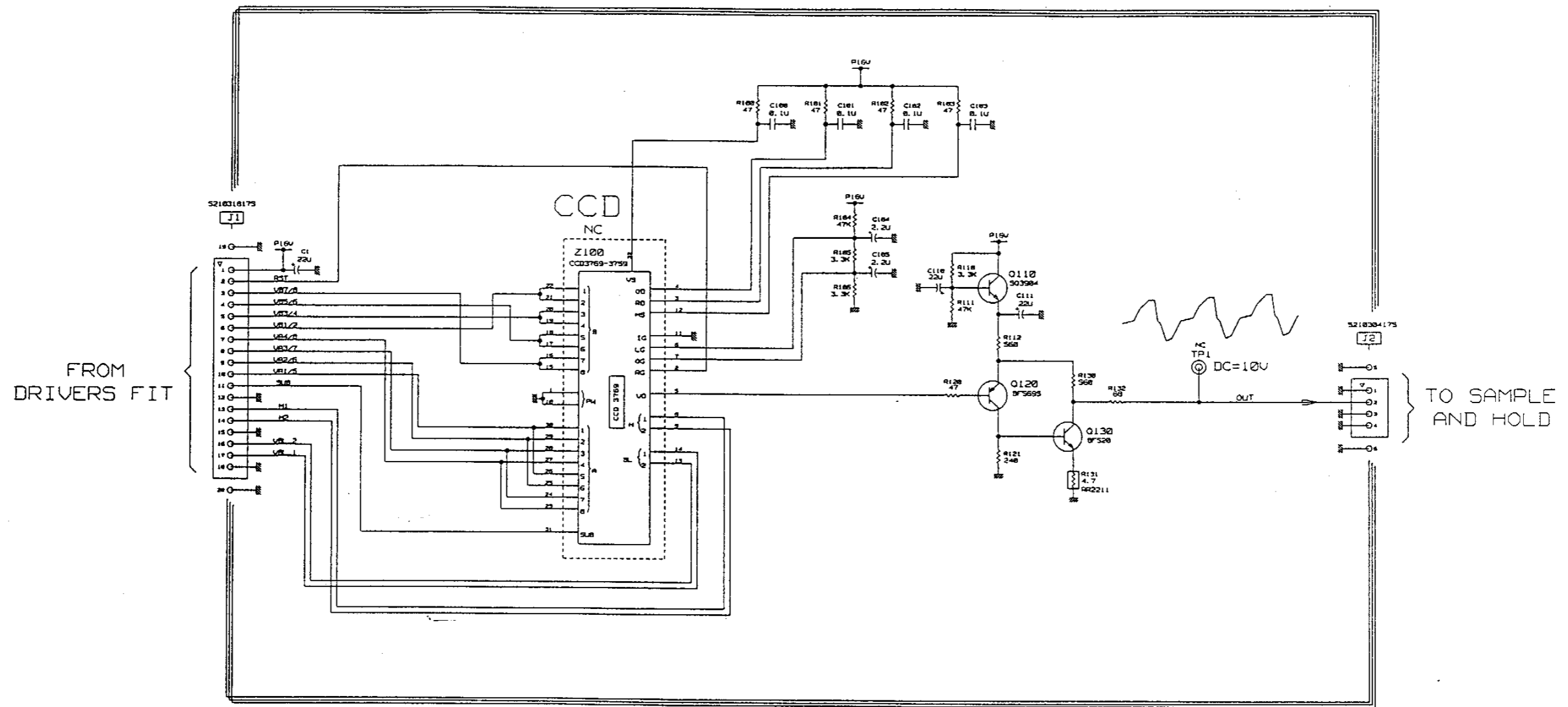
Consents of this document may not be reproduced in any form
 nor transmitted in a similar manner without the written permission
 of an authorized person in Thomson Broadcast.



TTV1657 TTV1657D TTV1707				
TITLE SOCKET FIT 16/9 1200 POINTS RED / GREEN				
20-11-97	DRAWING No	REV CODE	SHEET	BLOCK
THOMSON BROADCAST	46150607	A 030	1/1	

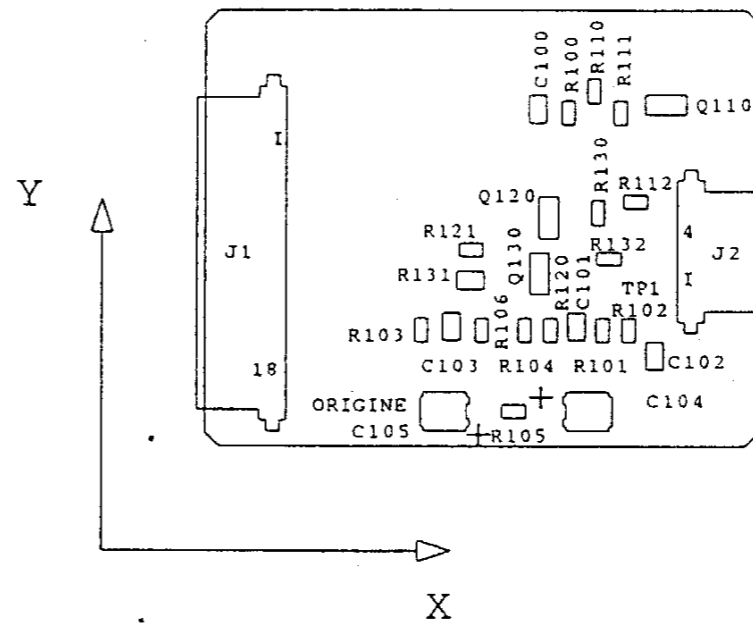
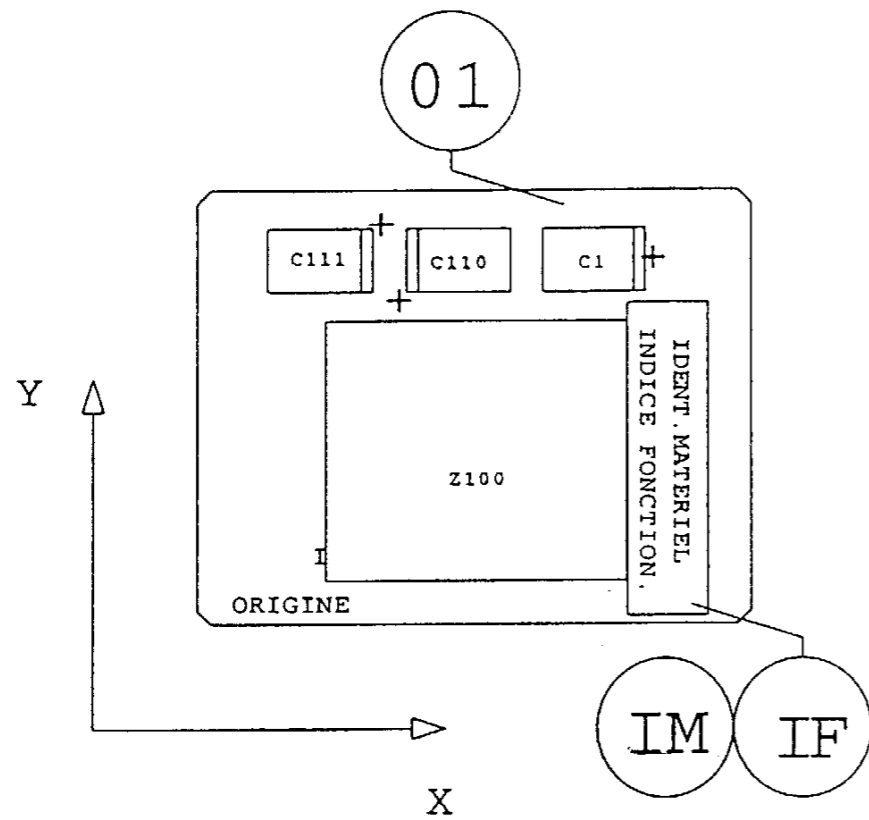


CAMERA				
GREEN REDCCD SOCKET FIT 16/9 -1250 PTS				
THOMSON	DRAWING NO	REV	CODE	BLOCK
	46150607		046	01/01

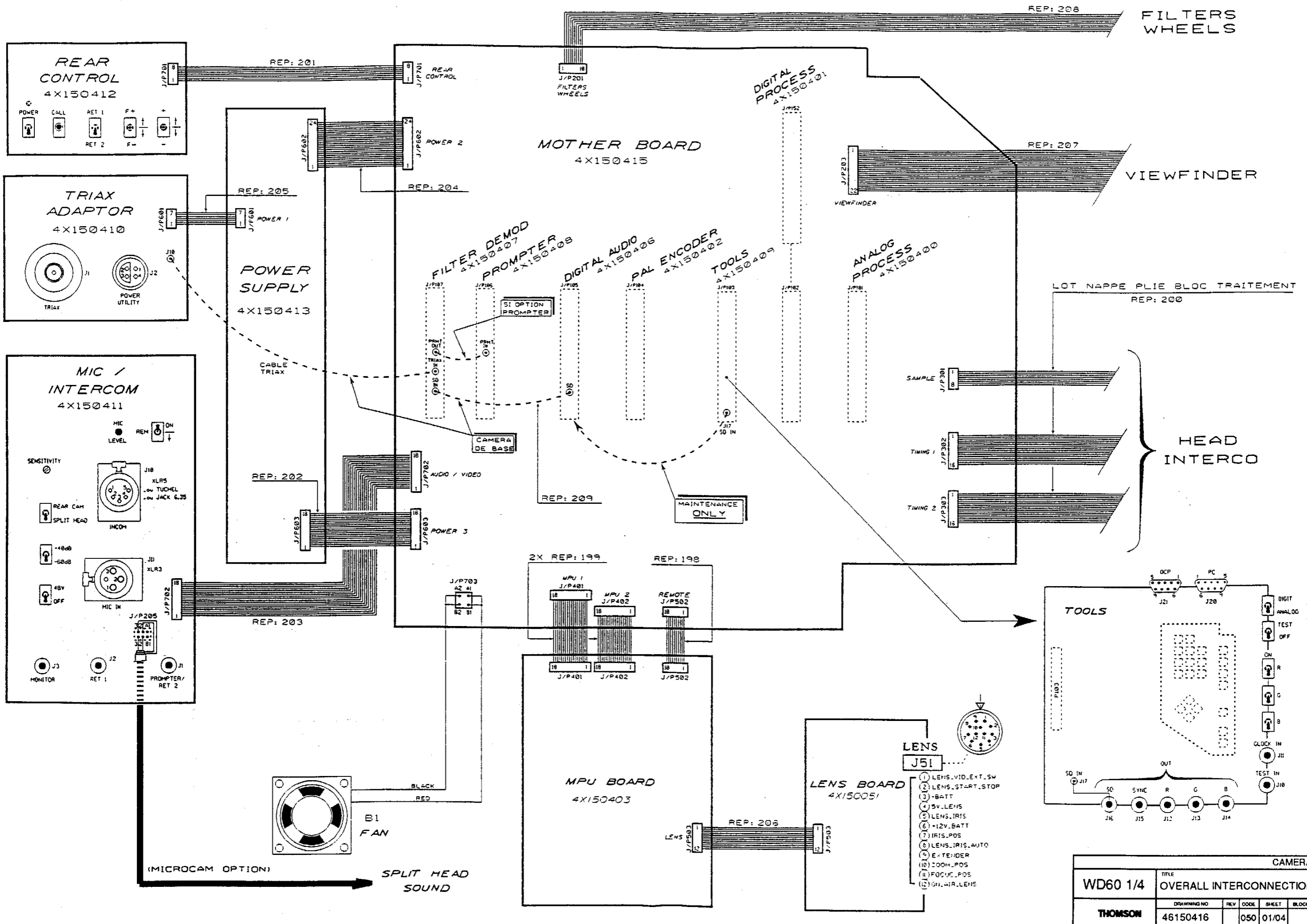


CAMERA				
TITLE BLUECCD SOCKET FIT 16/9 -1250 PTS				
DRAWING NO	REV	CODE	SHEET	BLOCK
46150617		030	01/01	

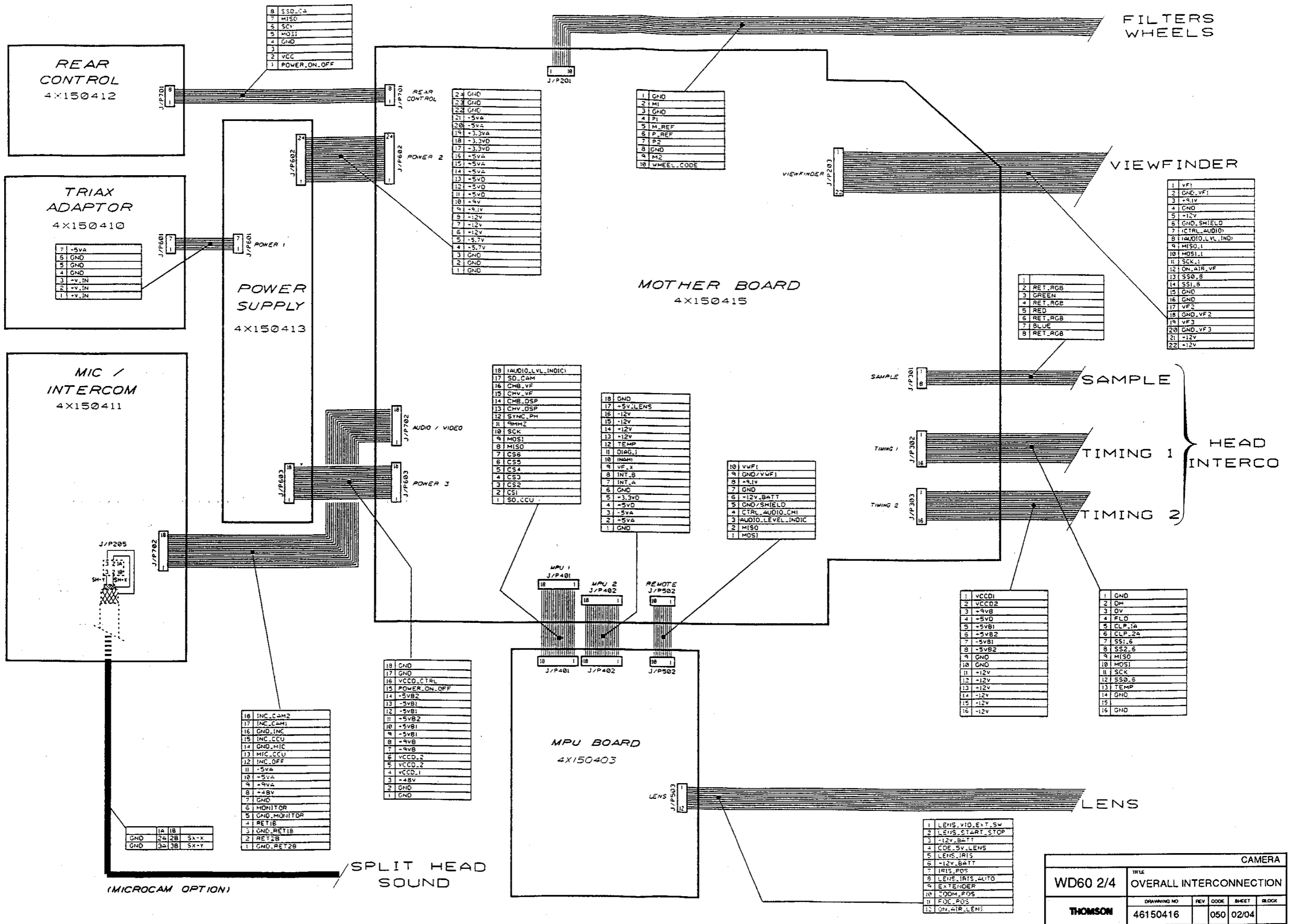
THOMSON



CAMERA				
TITLE	BLUECCD SOCKET FIT 16/9 -1250 PTS			
DRAWING NO	REV	CODE	SHEET	BLOCK
THOMSON	46150617	046	01/01	



CAMERA				
WD60 1/4	TITLE OVERALL INTERCONNECTION			
THOMSON	DRAWING NO 46150416	REV 050	SHEET 01/04	BLOCK



8	SSO_CA
7	MISO
6	SCY
5	MOSI
4	GND
3	VCC
2	POWER_ON_OFF

24	GND
23	GND
22	GND
21	-5V
20	-5V
19	+3.3V
18	-3.3V
17	-3.3V
16	+5V
15	+5V
14	-5V
13	-5V
12	-5V
11	-5V
10	-9V
9	-9V
8	-12V
7	-12V
6	-12V
5	-5.7V
4	-5.7V
3	GND
2	GND
1	GND

1	GND
2	M1
3	GND
4	P1
5	M_REF
6	P_REF
7	P2
8	GND
9	M2
10	WHEEL.CODE

1	VF1
2	GND_VF1
3	+9.1V
4	GND
5	-12V
6	GND_SHIELD
7	CTRL_AUDIO
8	AUDIO_LVL_IND
9	MISO.1
10	MOSI.1
11	SCK.1
12	ON_AIR_VF
13	SS0.8
14	SS1.8
15	GND
16	GND
17	VF2
18	GND_VF2
19	VF3
20	GND_VF3
21	-12V
22	-12V

18	AUDIO_LVL_INDIC
17	SD_CAM
16	CHB_VF
15	CHV_VF
14	CHB_DSP
13	CHV_DSP
12	SYNC_PH
11	9MHZ
10	SCK
9	MOSI
8	MISO
7	CS6
6	CS5
5	CS4
4	CS3
3	CS2
2	CS1
1	SO_CCU

18	GND
17	-5V_LENS
16	-12V
15	-12V
14	-12V
13	-12V
12	TEMP
11	DIAG.1
10	INDM
9	VF_X
8	INT_B
7	INT_A
6	GND
5	+3.3V
4	-5V
3	+5V
2	+5V
1	GND

10	VF1
9	GND_VVF1
8	+9.1V
7	GND
6	-12V_BATT
5	GND_SHIELD
4	CTRL_AUDIO_CHI
3	AUDIO_LVL_INDIC
2	MISO
1	MOSI

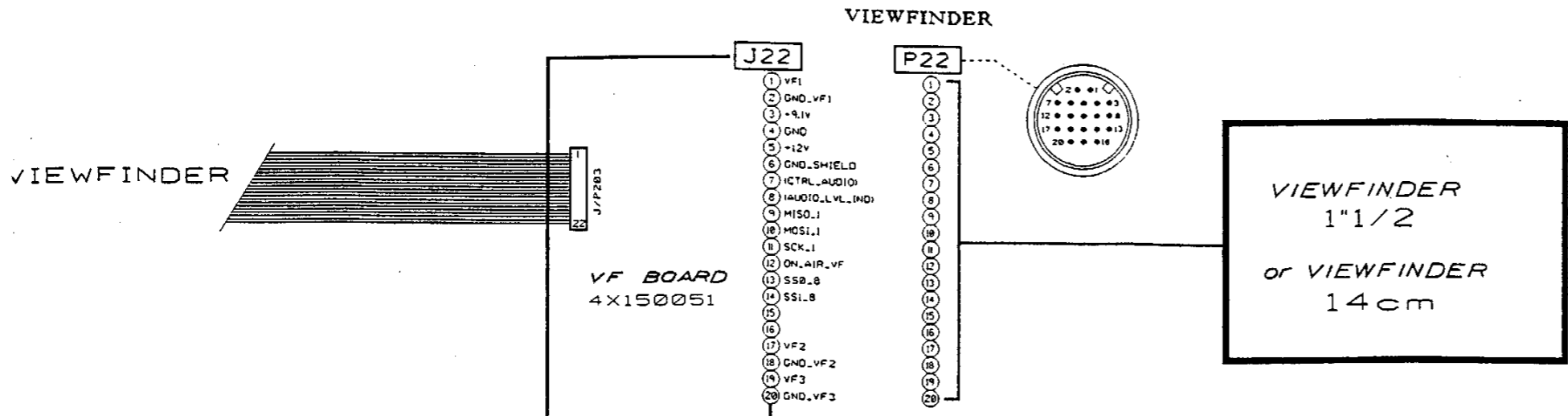
18	GND
17	GND
16	VCCD_CTRL
15	POWER_ON_OFF
14	-5VB2
13	-5VB1
12	-5VB1
11	-5VB2
10	-5VB1
9	-5VB1
8	-9VB
7	-9VB
6	VCCD_2
5	VCCD_2
4	VCCD_1
3	-48V
2	GND
1	GND

18	INC_CAM2
17	INC_CAM1
16	GND_INC
15	INC_CCU
14	GND_MIC
13	MIC_CCU
12	INC_OFF
11	-5VA
10	-5VA
9	+9VA
8	+48V
7	GND
6	MONITOR
5	GND_MONITOR
4	RET1B
3	GND_RET1B
2	RET2B
1	GND_RET2B

1A	1B
GND	2A 2B SA-X
GND	3A 3B SX-Y

CAMERA	
WD60 2/4	OVERALL INTERCONNECTION
THOMSON	46150416
DRAWING NO	REV
050	02/04
SHEET	BLOCK

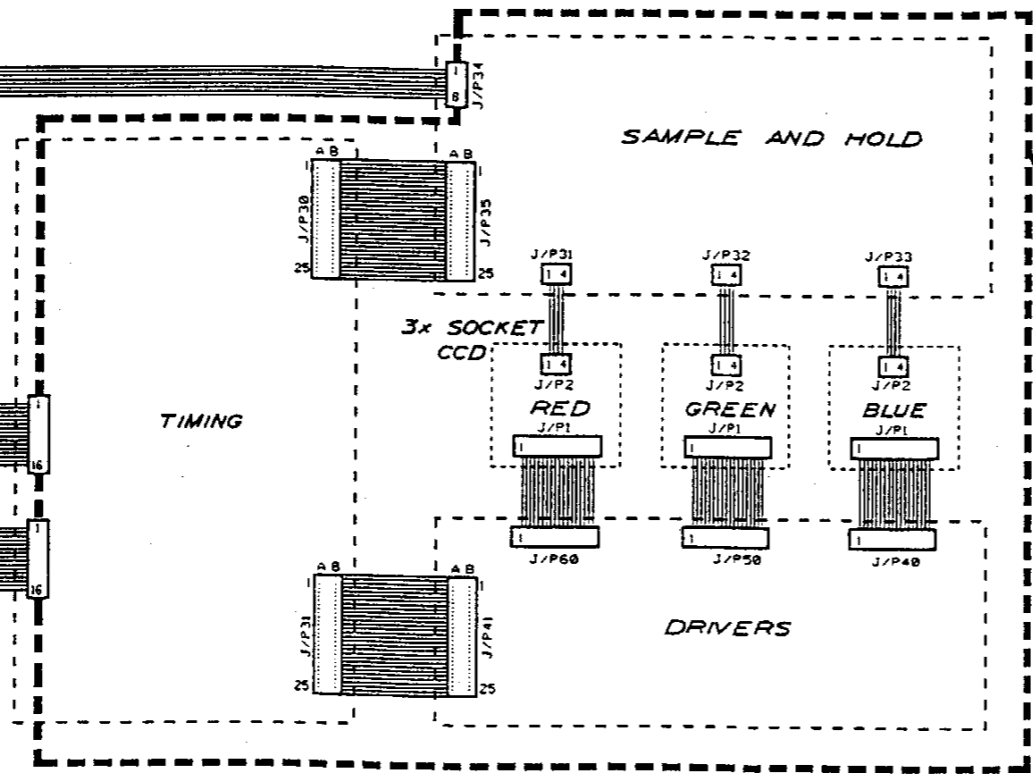
FILTERS WHEELS



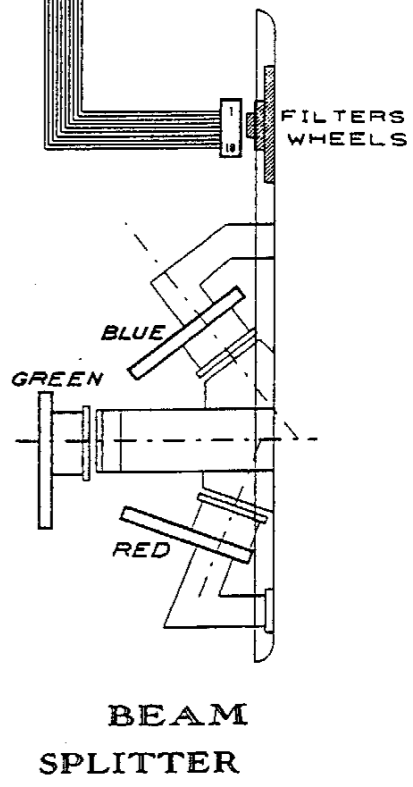
SAMPLE

TIMING 1

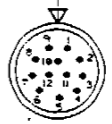
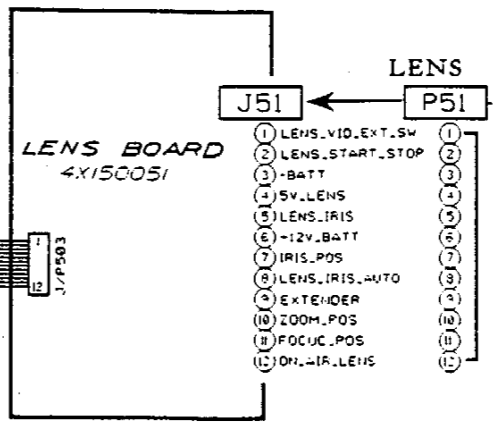
TIMING 2



HEAD INTERCO	STD
FIT 16:9 900PTS *MW3768H	PAL
FIT 4:3 700PTS *MW3766MAE	PAL
IT 4:3 700PTS *MW3746CKH	PAL
IT 4:3 700PTS *MW3736KH	NTSC
FIT 16:9 900POINTS *MW3758H	NTSC
FIT 16:9 1200POINTS *MW3759	NTSC
FIT 16:9 1200POINTS *MW3769	PAL



LENS

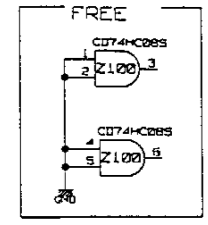


STANDARD VERSION

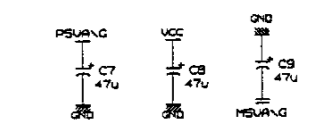
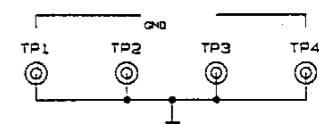
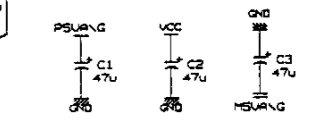
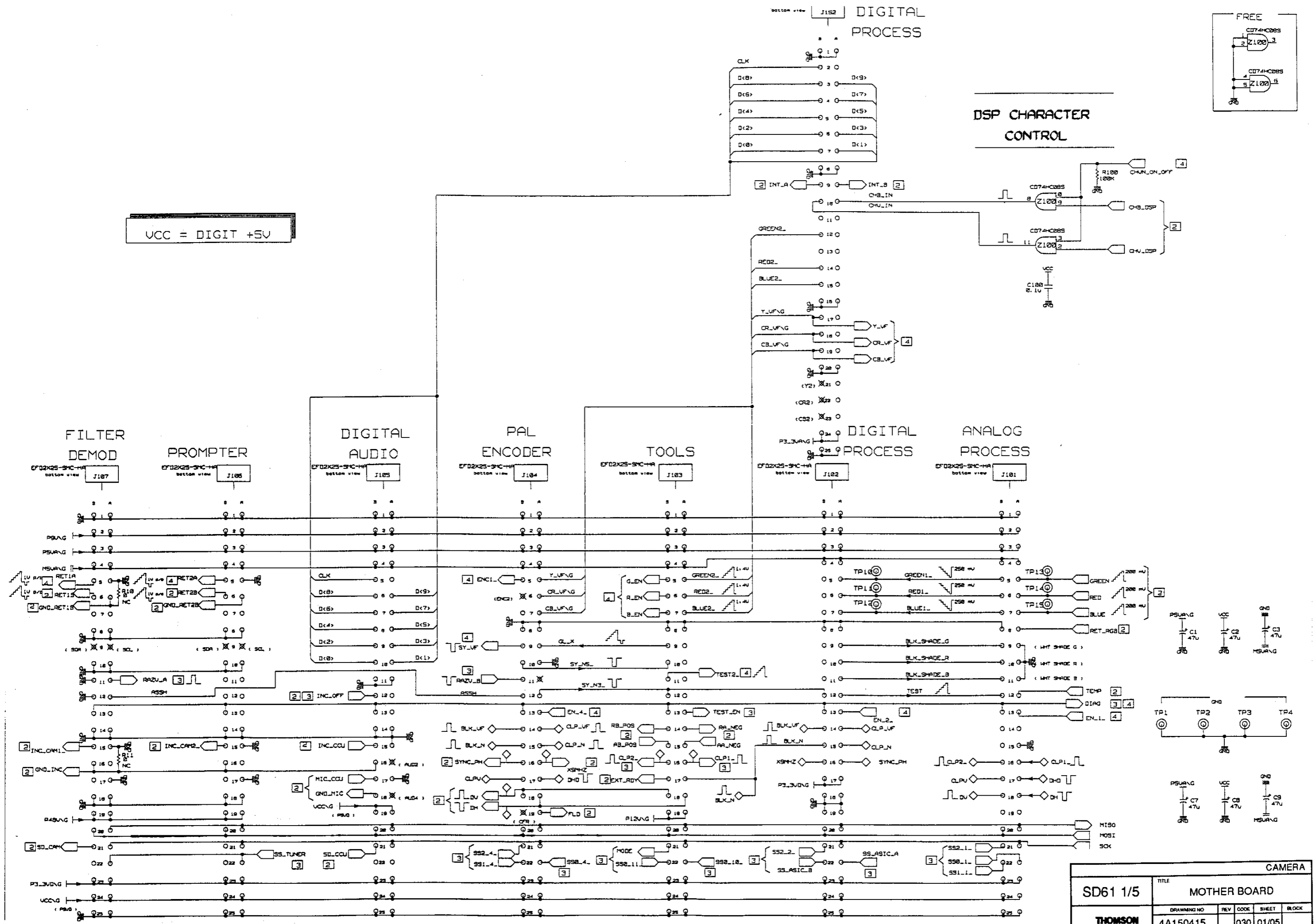
CAMERA				
WD60 3/4	TITLE OVERALL INTERCONNECTION			
THOMSON	DRAWING NO 46150416	REV CODE 050	SHEET 03/04	BLOCK

DIGITAL PROCESS

DSP CHARACTER CONTROL

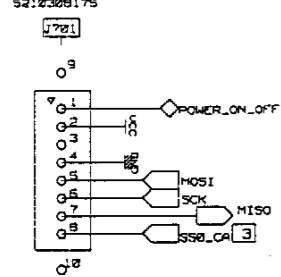


VCC = DIGIT +5V

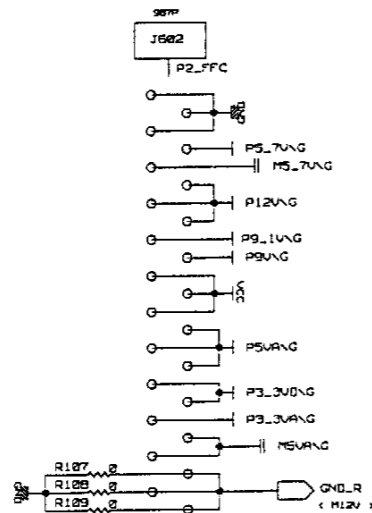


CAMERA	
SD61 1/5	TITLE MOTHER BOARD
THOMSON	DRAWING NO 4A150415
	REV CODE SHEET BLOCK
	030 01/05

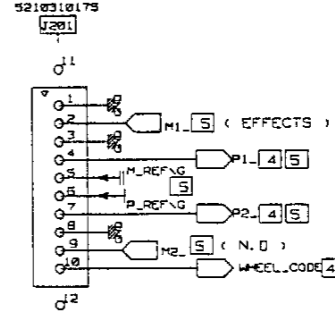
REAR CONTROL



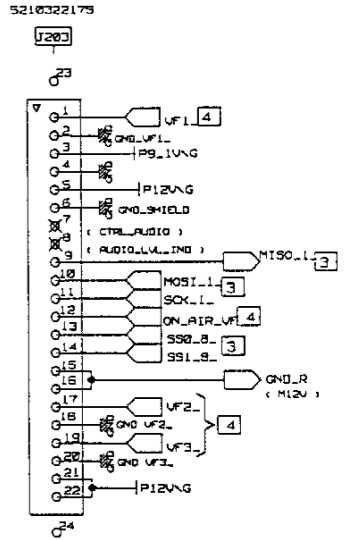
POWER 2



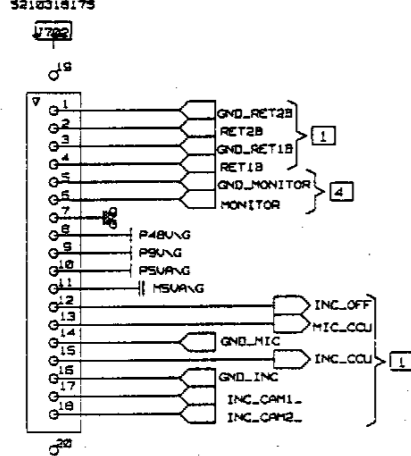
FILTER WHEEL



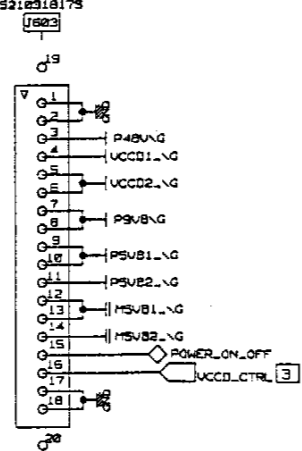
VIEWFINDER



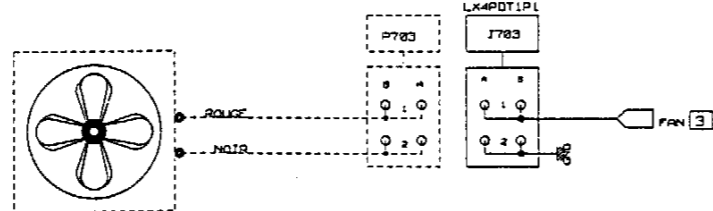
AUDIO / VIDEO



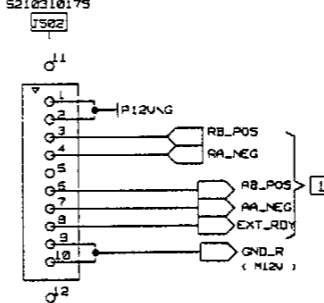
POWER 3



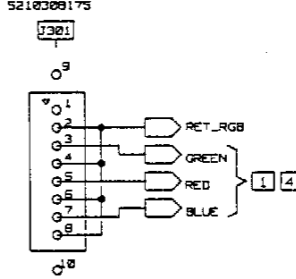
FAN



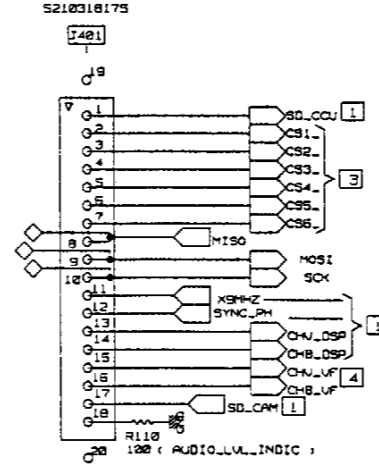
REMOTE



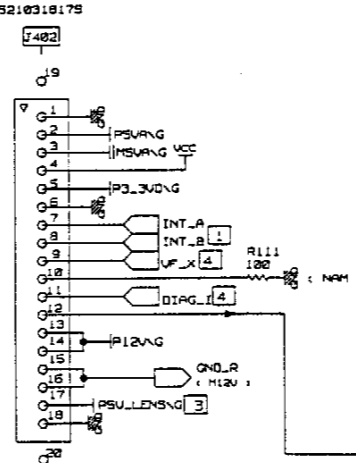
SAMPLE



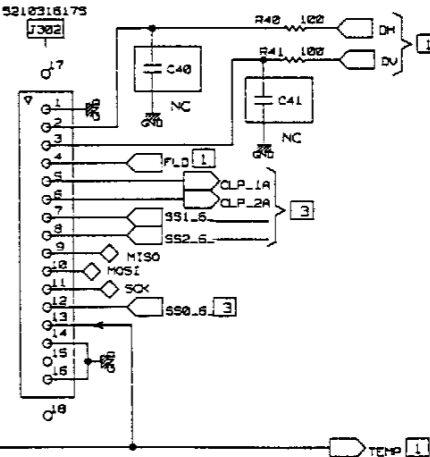
MPU 1



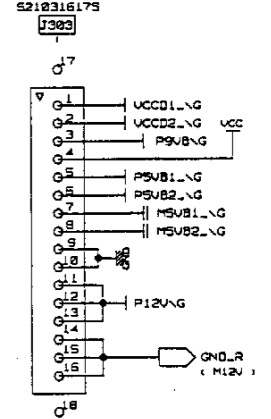
MPU 2



TIMING 1

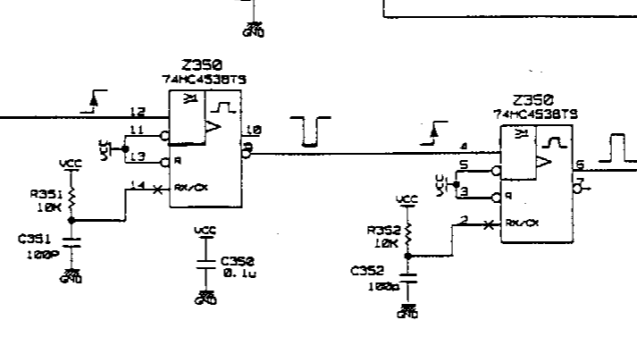
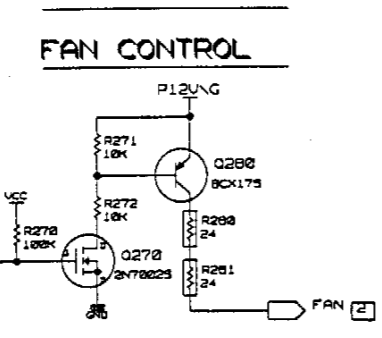
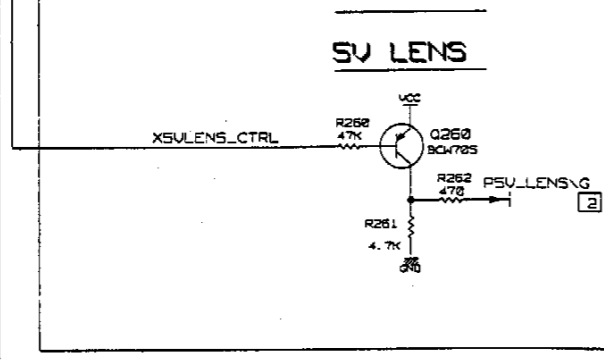
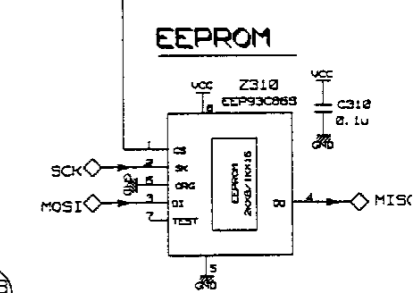
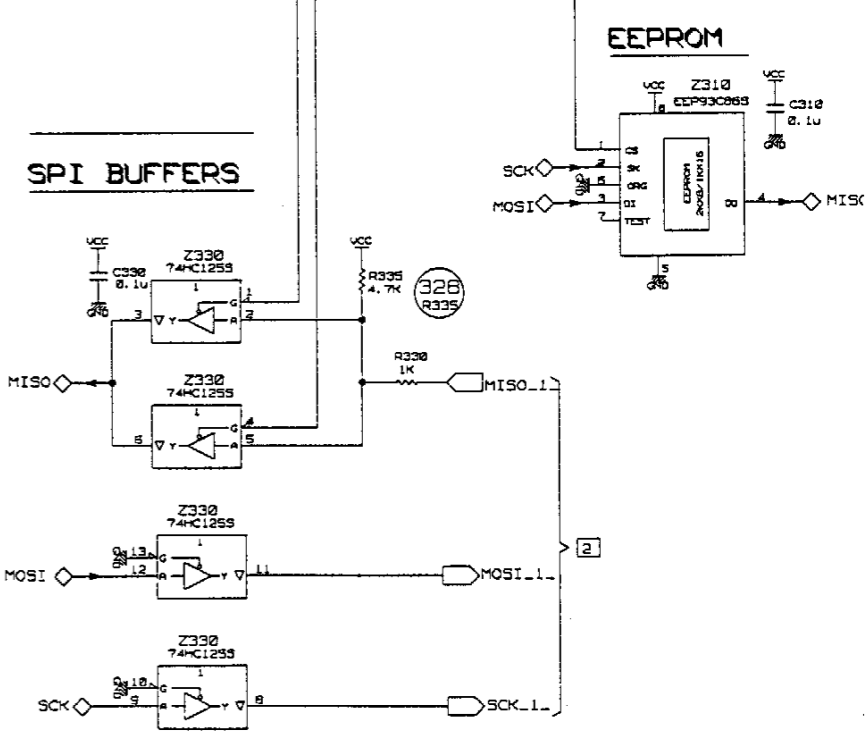
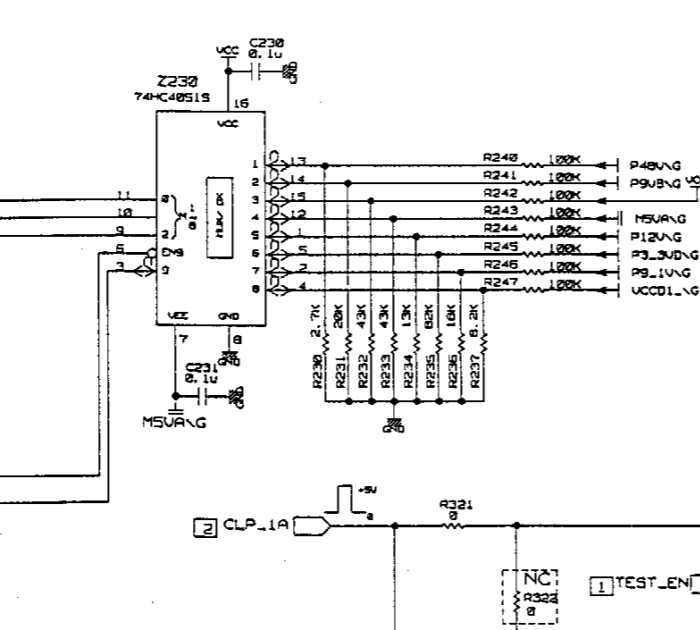
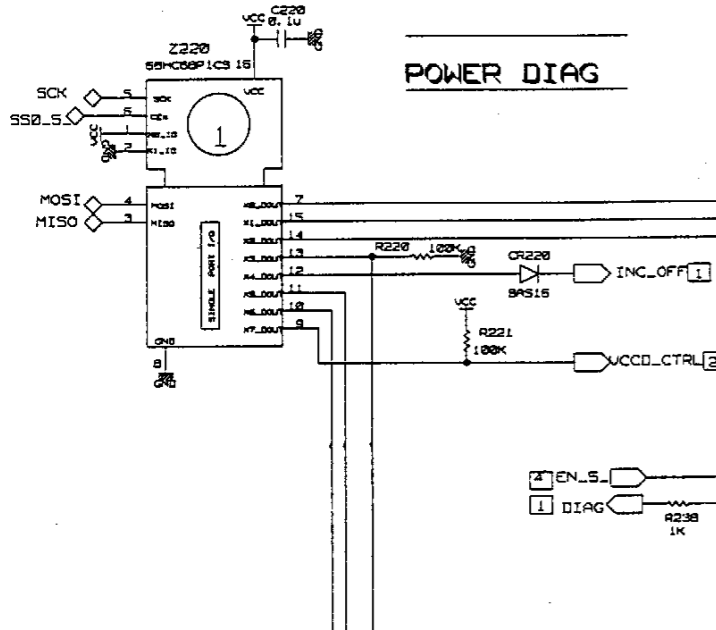
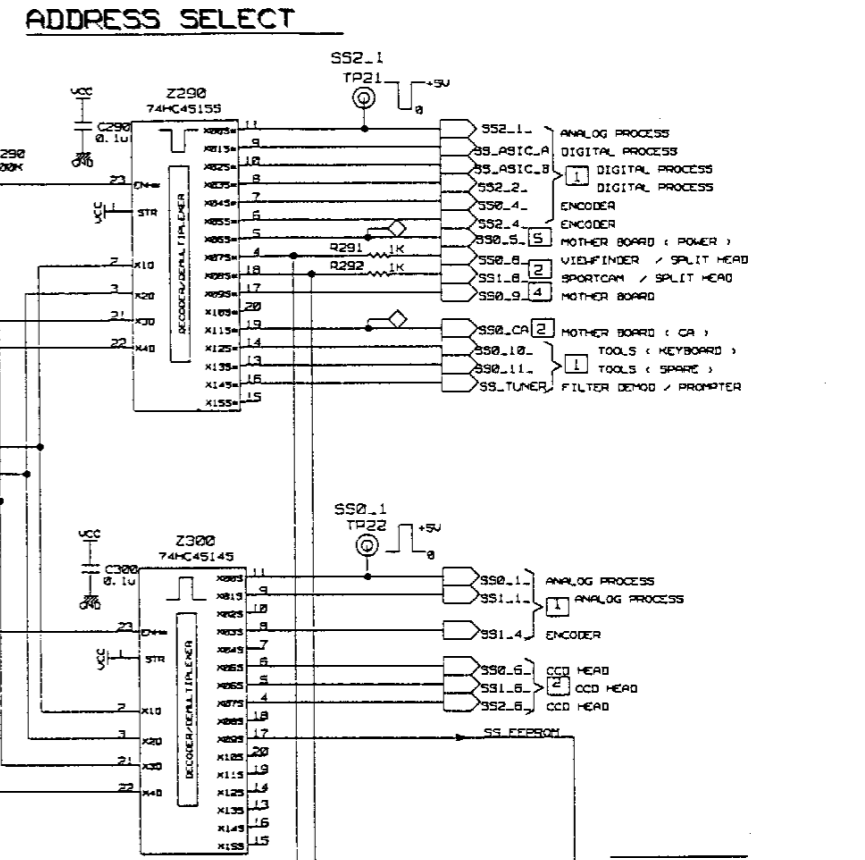
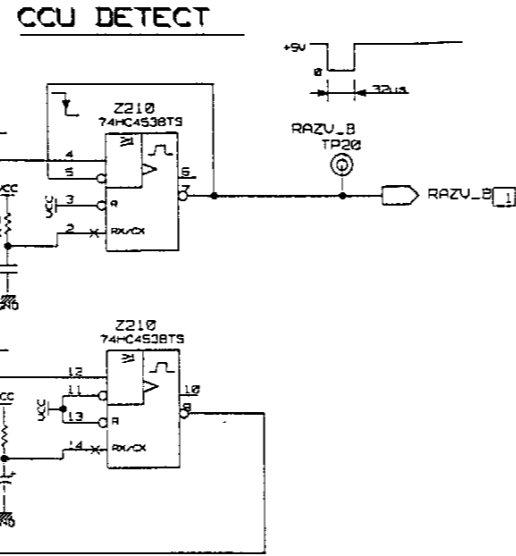
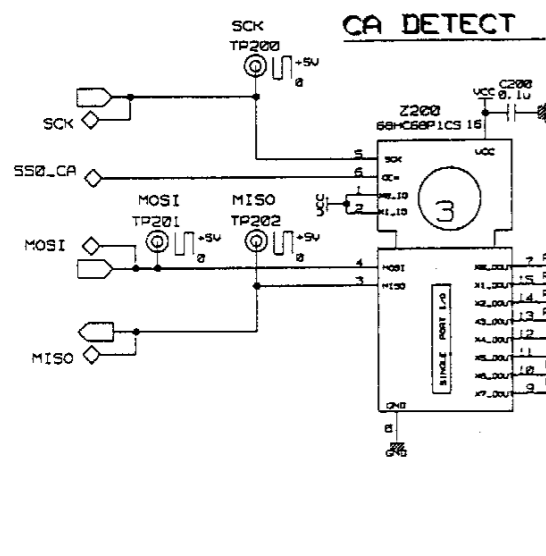


TIMING 2



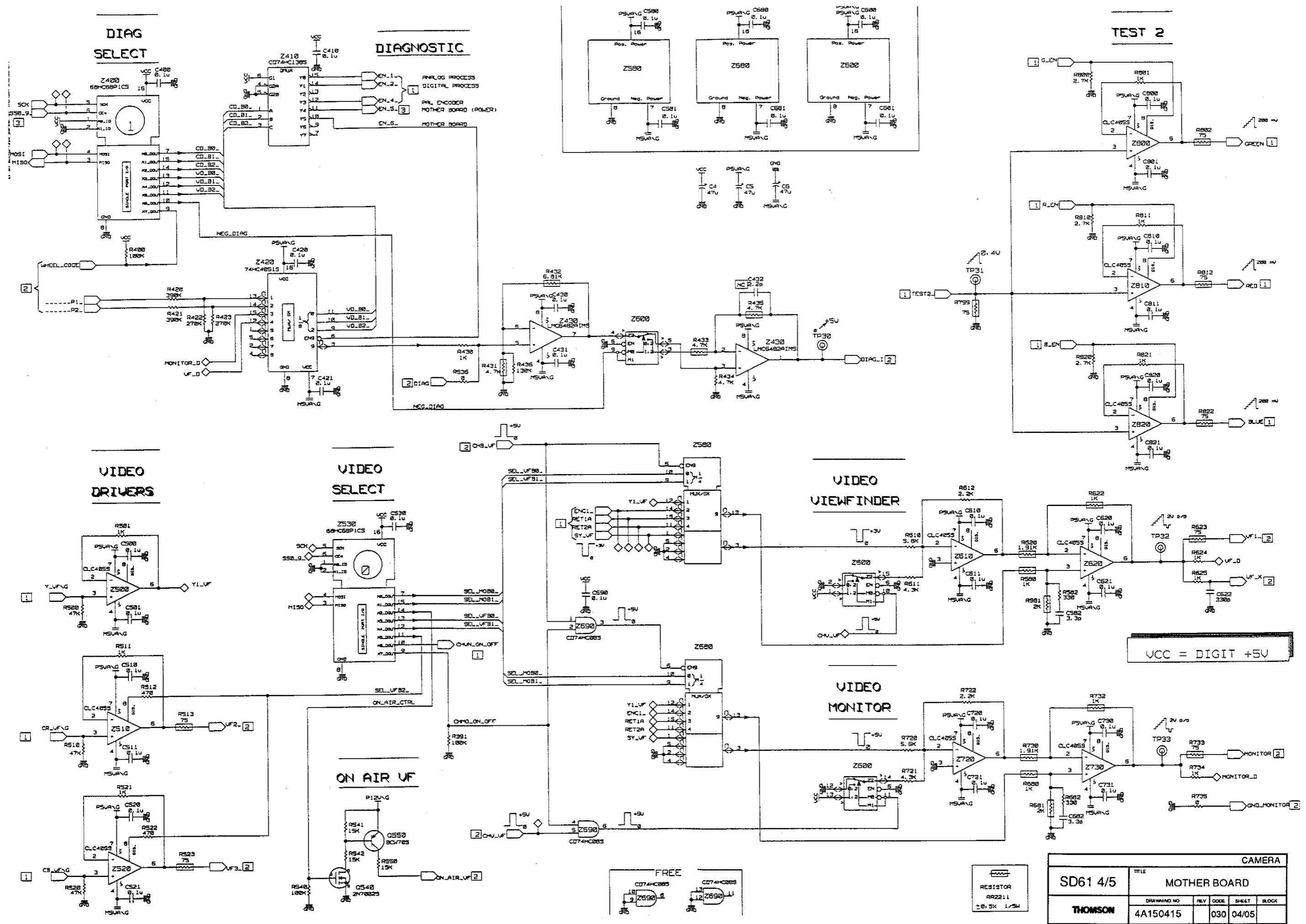
VCC = DIGIT +5V

CAMERA				
SD61 2/5	TITLE MOTHER BOARD			
THOMSON	DRAWING NO 4A150415	REV 030	SHEET 02/05	BLOCK



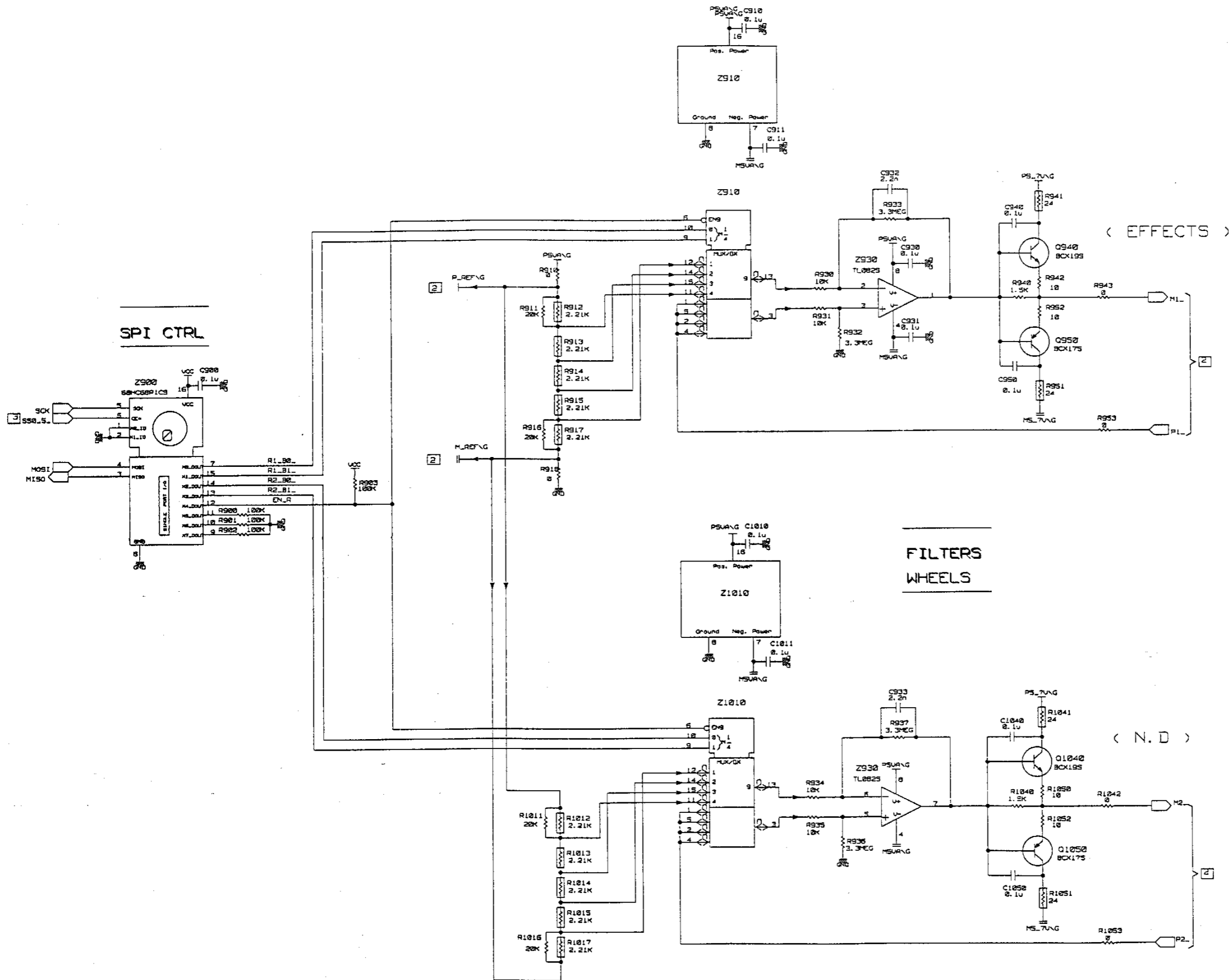
VCC = DIGIT +5V

CAMERA		TITLE	
SD61 3/5	MOTHER BOARD		
THOMSON	DRAWING NO 4A150415	REV CODE 030	SHEET / BLOCK 03/05

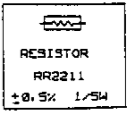


VCC = DIGIT +5V

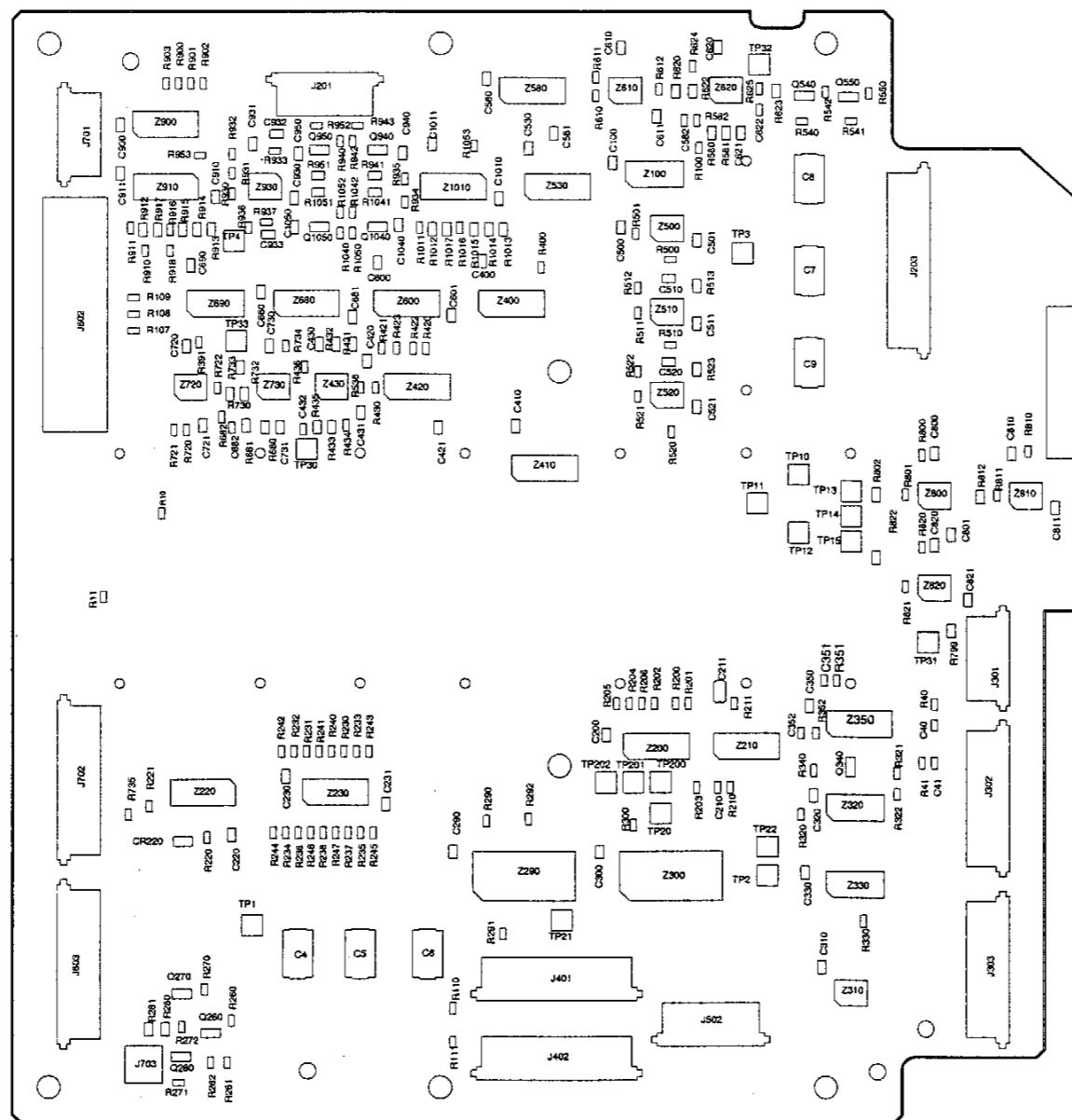
CAMERA	
SD61 4/5	TITLE MOTHER BOARD
THOMSON	DRAWING NO 4A150415
	REV CODE 030
	SHEET 04/05
	BLOCK



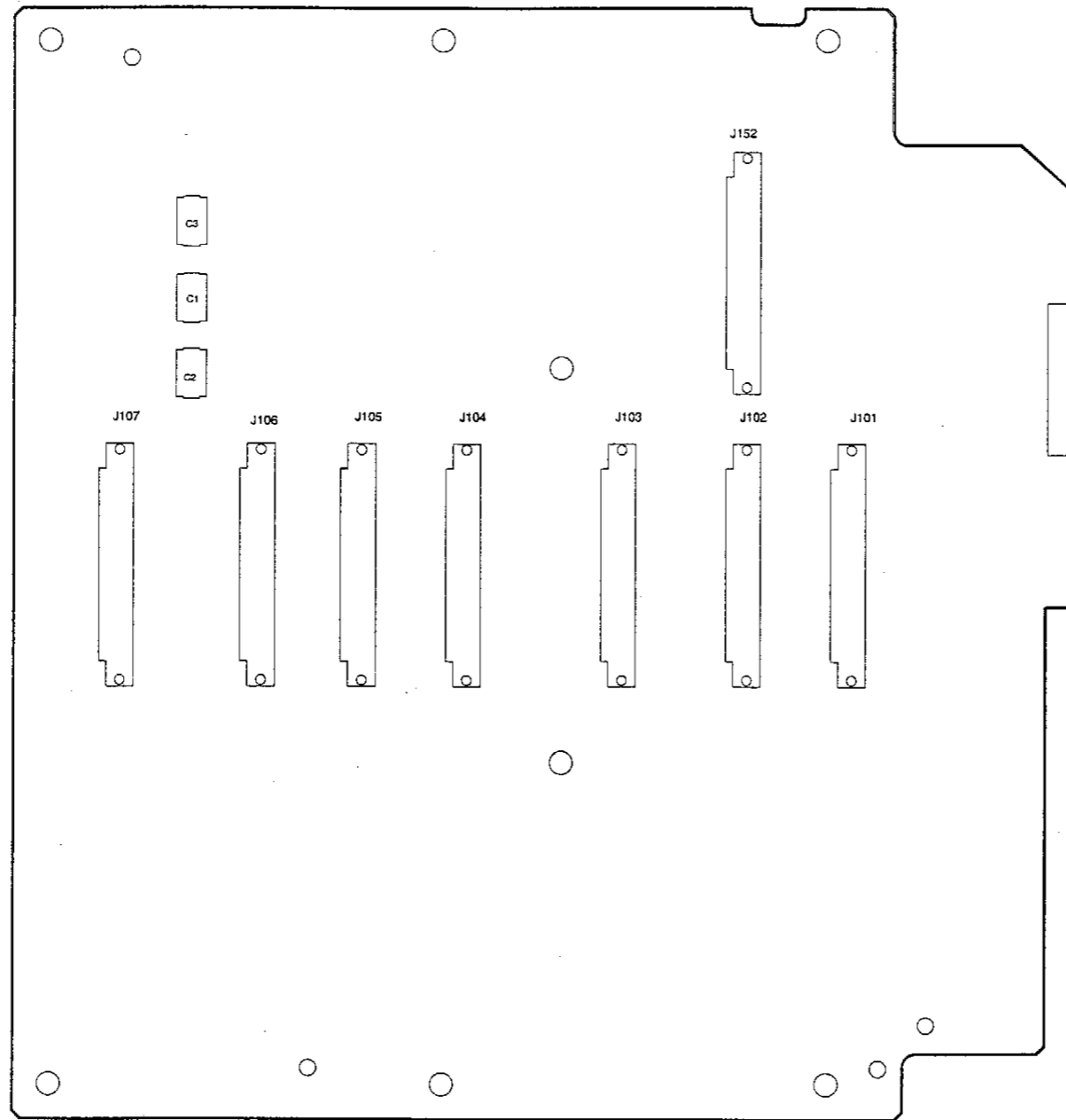
VCC = DIGIT +5V



CAMERA				
SD61 5/5	TITLE MOTHER BOARD			
THOMSON	DRAWING NO 4A150415	REV CODE 030	SHEET 05/05	BLOCK



CAMERA					
LD61 1/2	TITLE MOTHER BOARD				
	DRAWING NO	REV	CODE	SHEET	BLOCK
THOMSON	4A150415	046	01/02		



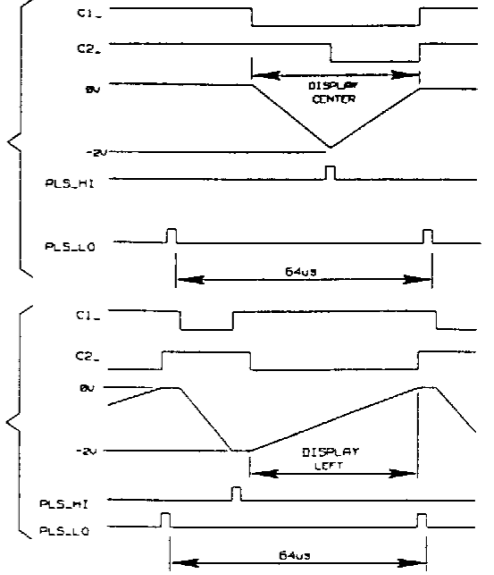
CAMERA				
LD61 2/2	TITLE			
	MOTHER BOARD			
THOMSON	DRAWING NO	REV	CODE	SHEET
	4A150415	046	02/02	

BARGRAPH GENERATOR

CENTER

LEFT

TP610



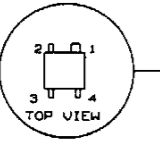
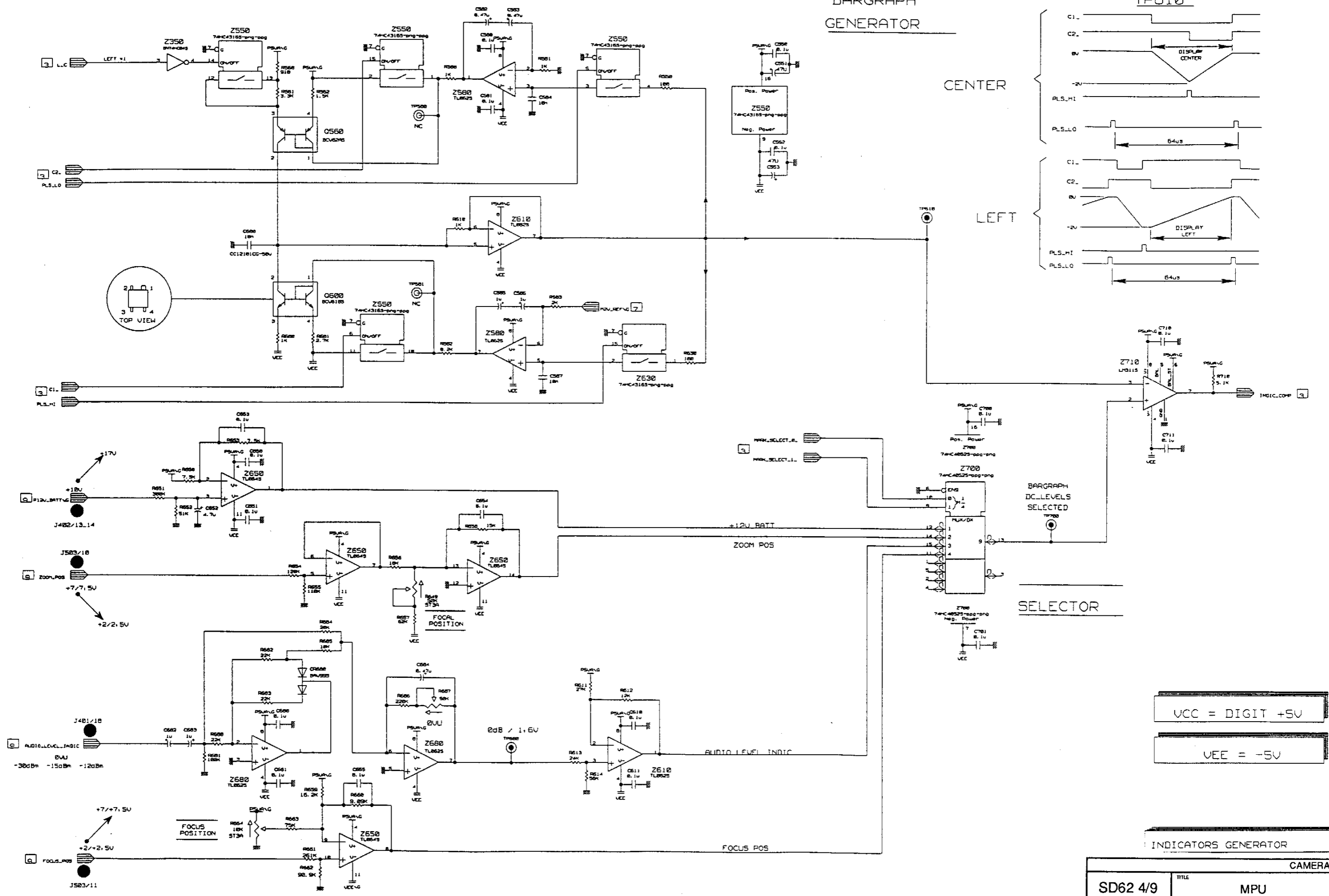
BARGRAPH DC LEVELS SELECTED

SELECTOR

VCC = DIGIT +5V
VEE = -5V

INDICATORS GENERATOR

SD62 4/9		TITLE			
		CAMERA			
		MPU			
THOMSON	DRAWING NO	REV	CODE	SHEET	BLOCK
	4B150403	030	04/09		



+17V

+10V

+7/7.5V

+2/2.5V

+7/+7.5V

+2/+2.5V

0dB / 1.6V

FOCUS POS

+12V BATT

ZOOM POS

AUDIO LEVEL INDIC

INDIC_COMP

TP610

Z700

Z710

Z610

Z680

Z650

Z580

Z550

Z510

Z530

Z550

Z550

Z550

Z550

Z550

Z550

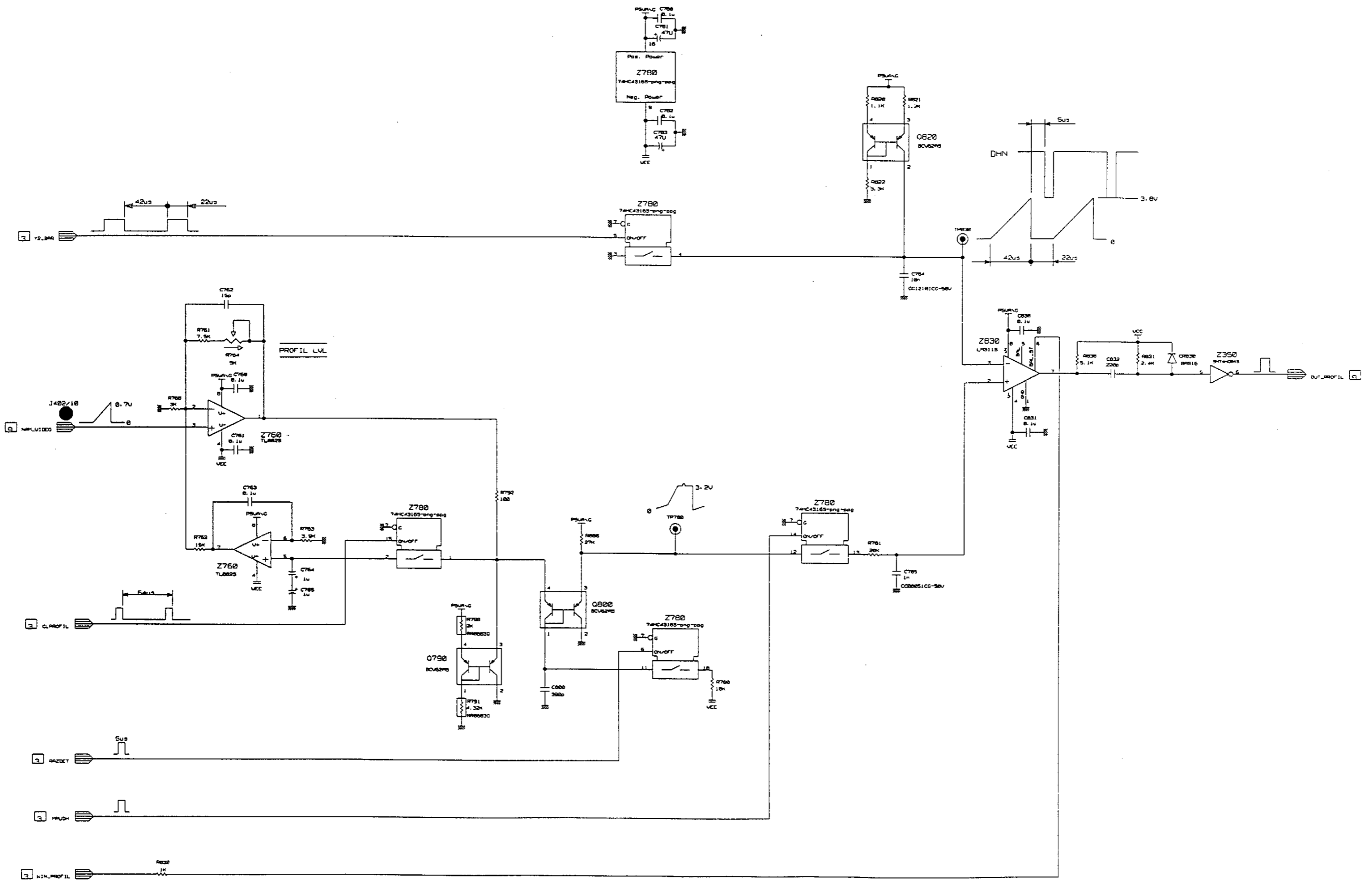
Z550

Z550

Z550

Z550

Z550

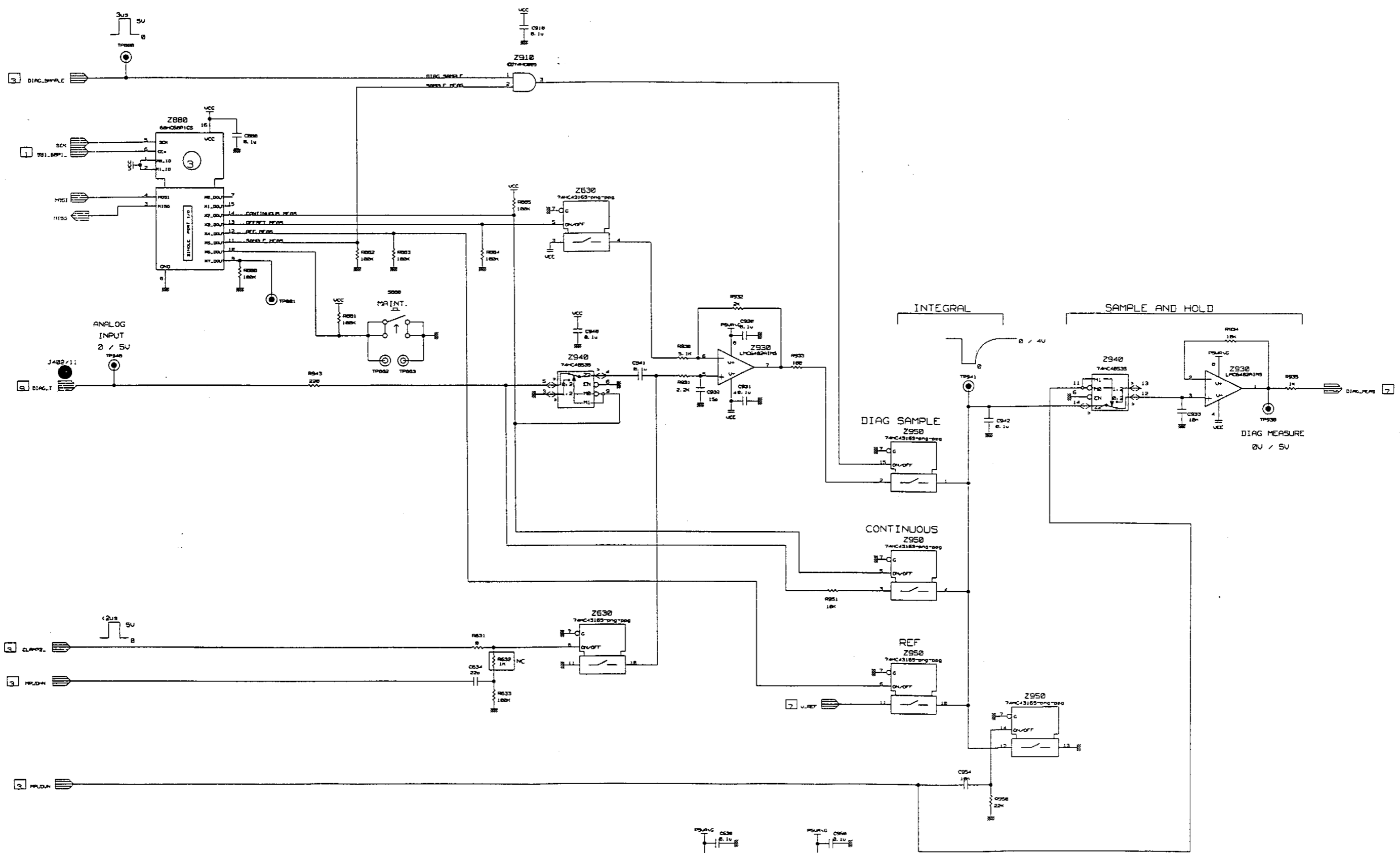


RESISTOR
± 0.5% 1/16W

VCC = +5V_DIGIT

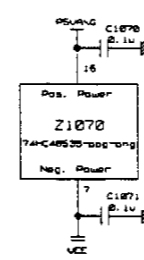
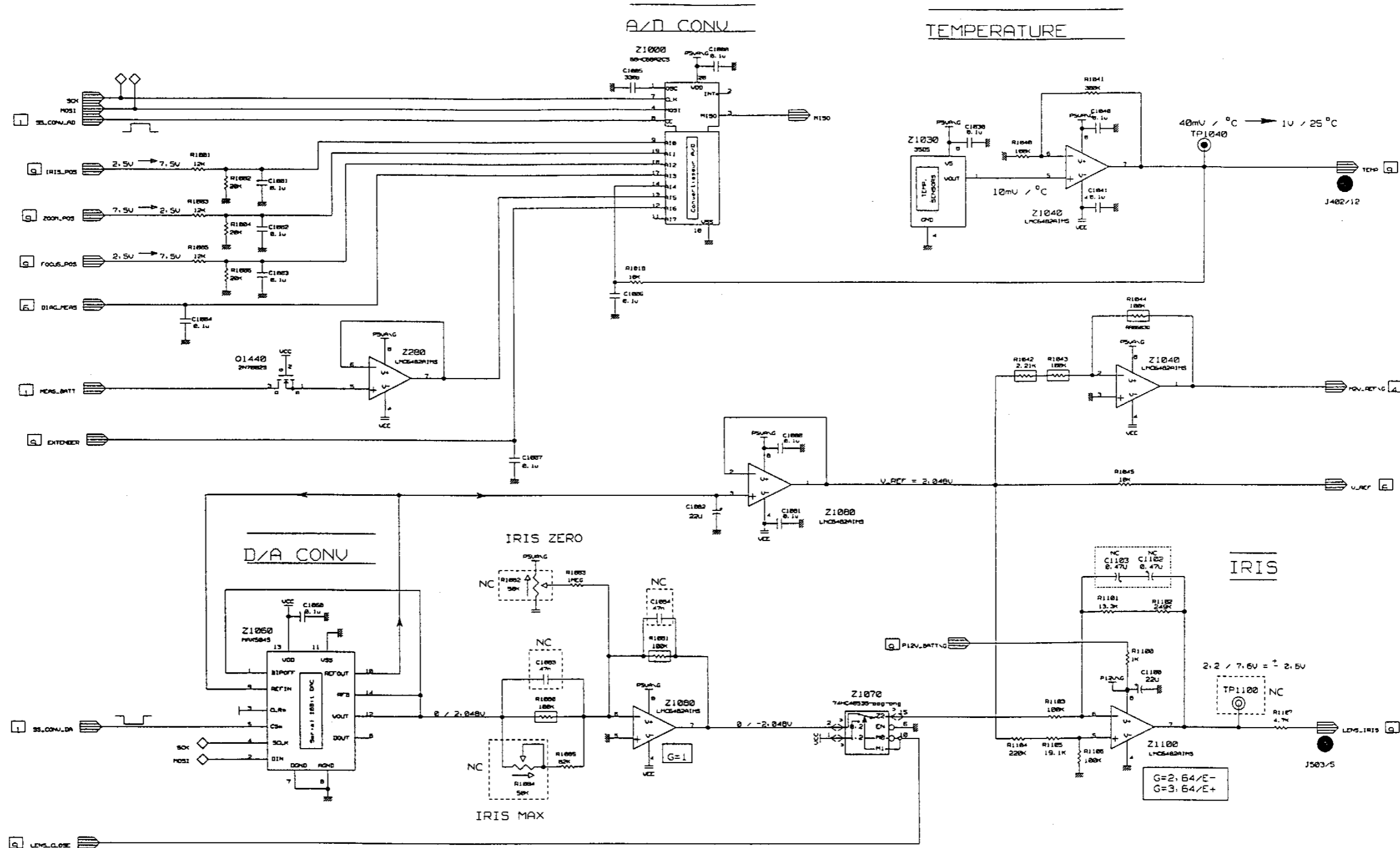
VEE = -5V

PROFIL VIDEO GENERATOR				
CAMERA				
SD62 5/9	MPU			
THOMSON	DRAWING NO 4C150403	REV 030	CODE 05/09	SHEET BLOCK



VCC = DIGIT +5V
VEE = -5V

ANALOG MEASURE				
CAMERA				
SD62 6/9	TITLE MPU			
THOMSON	DRAWING NO 4C150403	REV 030	CODE 06/09	SHEET BLOCK



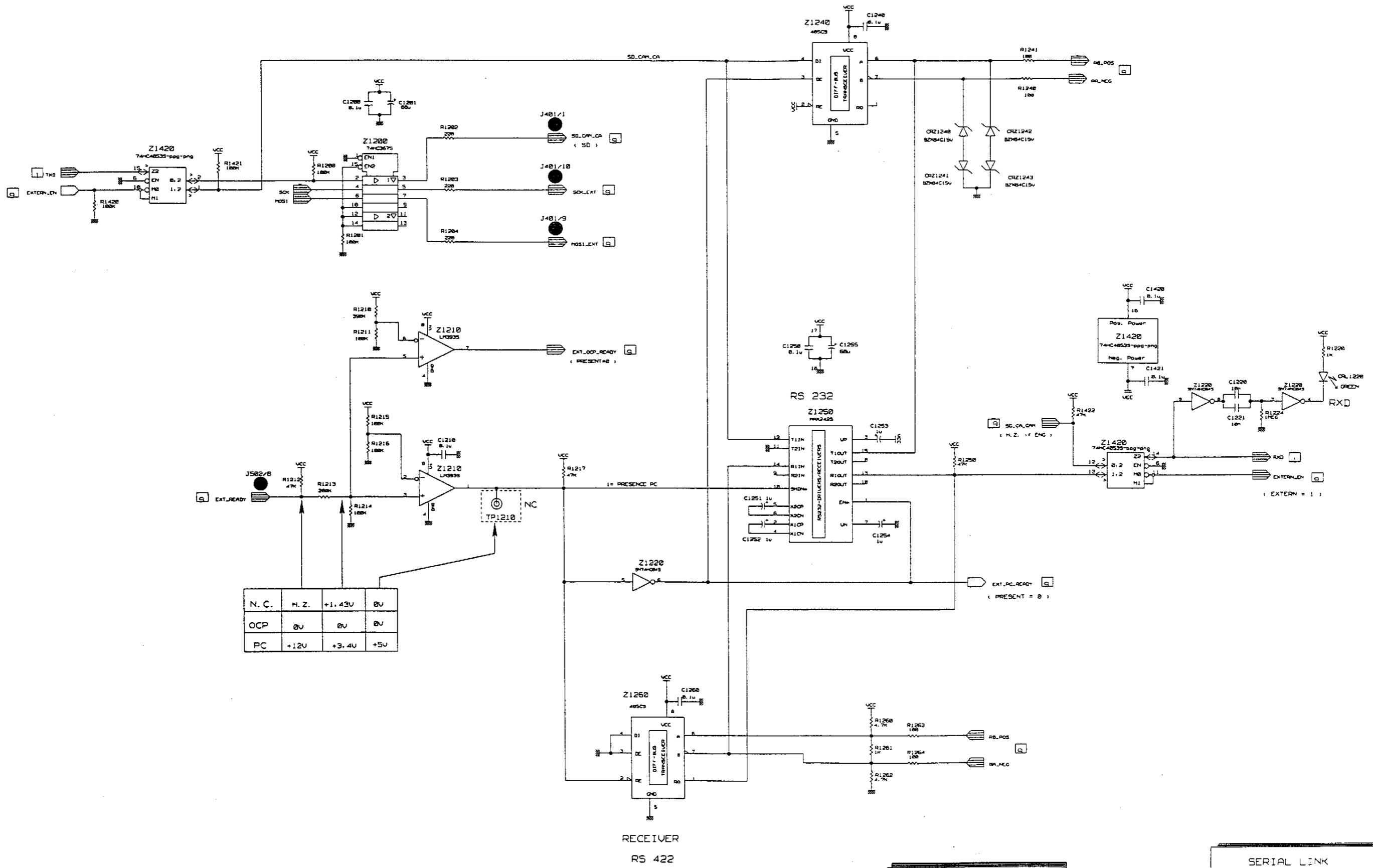
UCC = DIGIT +5V

VEE = -5V

A/D, D/A CONV and IRIS

CAMERA				
SD62 7/9		MPU		
DRAWING NO	REV CODE	SHEET	BLOCK	
THOMSON	4C150403	030	07/09	

TRANSMITTER
RS 422

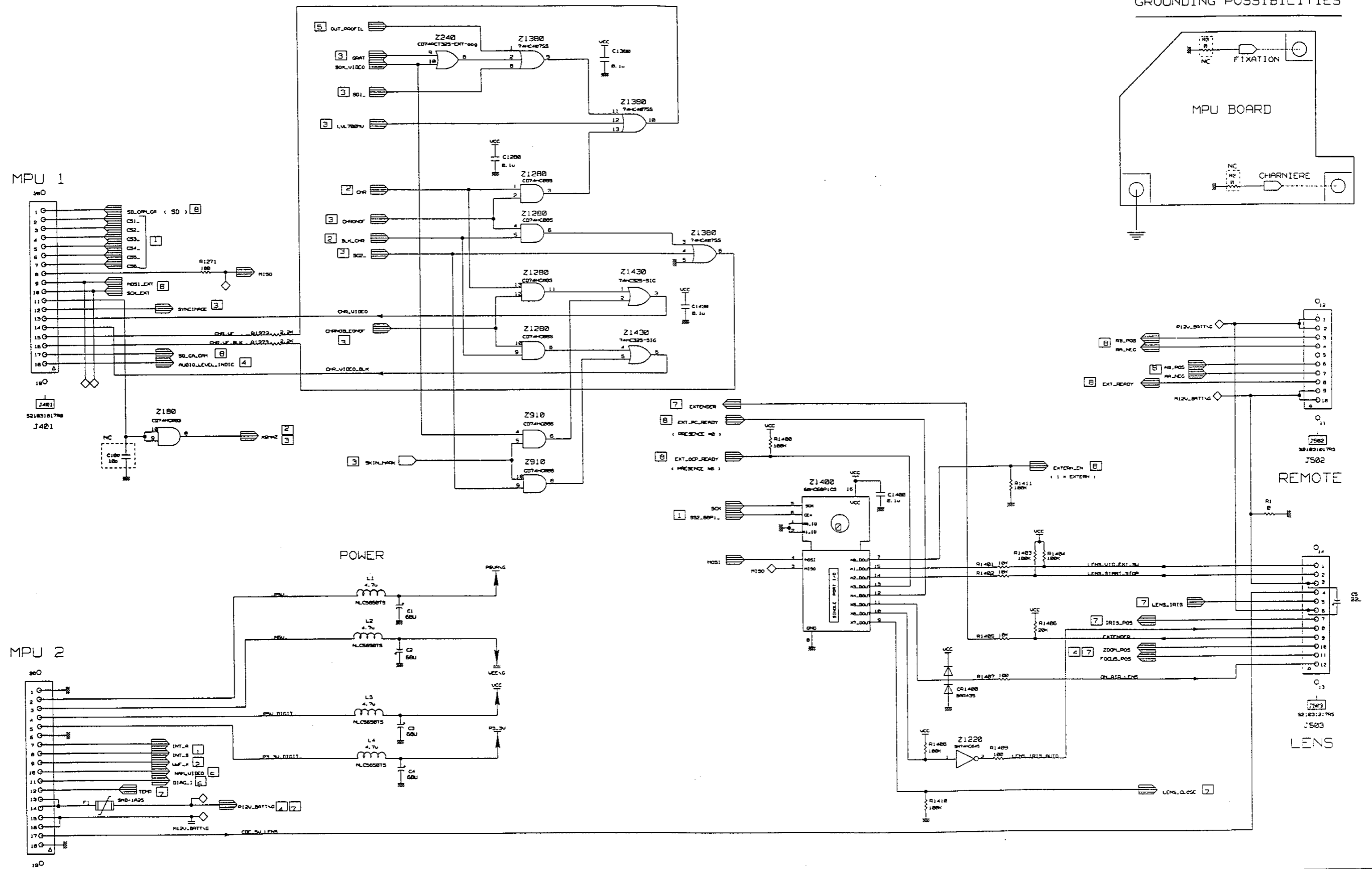
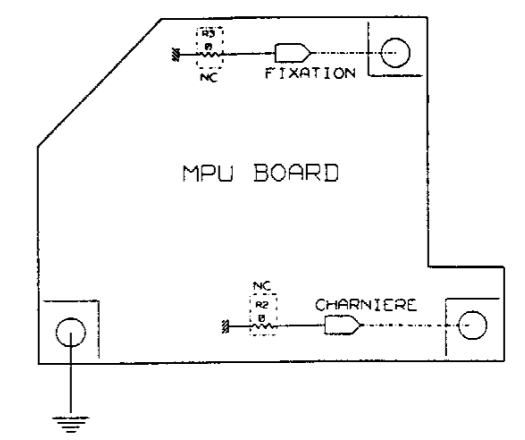


UCC = DIGIT +5V
VEE = -5V

SERIAL LINK

CAMERA	
SD62 8/9	TITLE MPU
THOMSON	DRAWING NO 4C150403
	REV 030
	CODE 08/09
	SHEET BLOCK

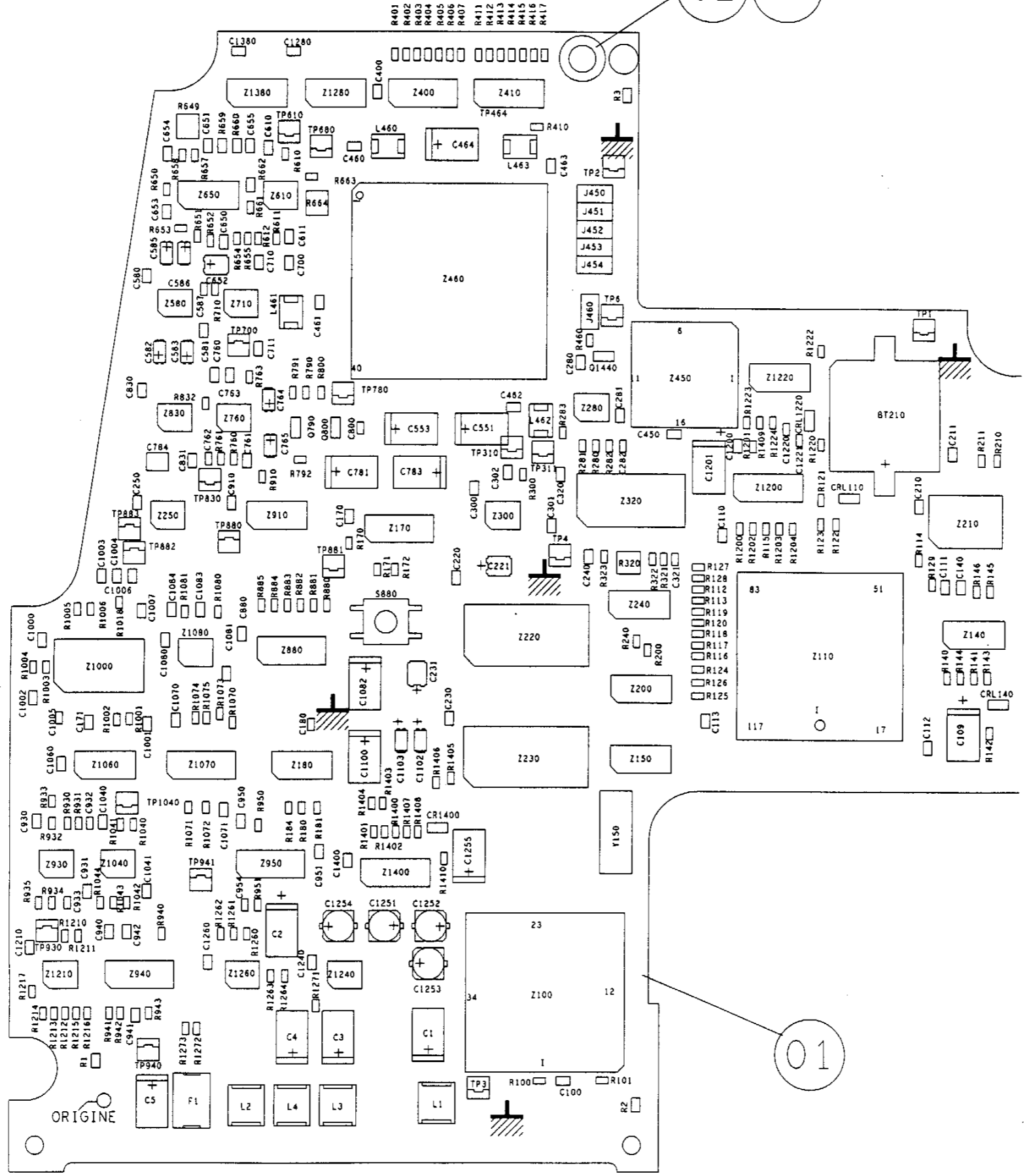
GROUNDING POSSIBILITIES



VCC = DIGIT +5V
VEE = -5V

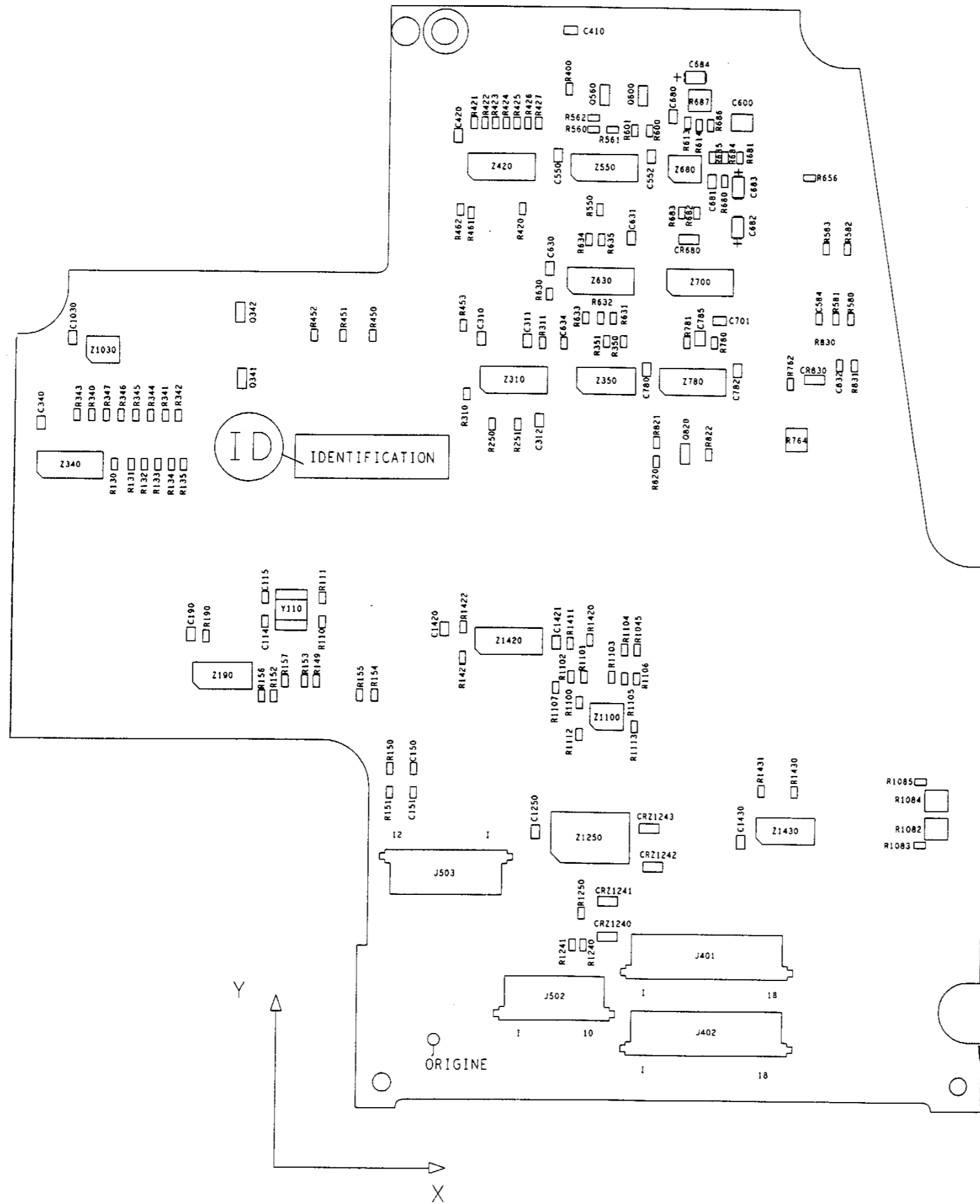
CAMERA				
TITLE	MPU			
DRAWING NO	REV	CODE	SHEET	BLOCK
SD62 9/9				
THOMSON	4C150403	030	09/09	

02 02A



01

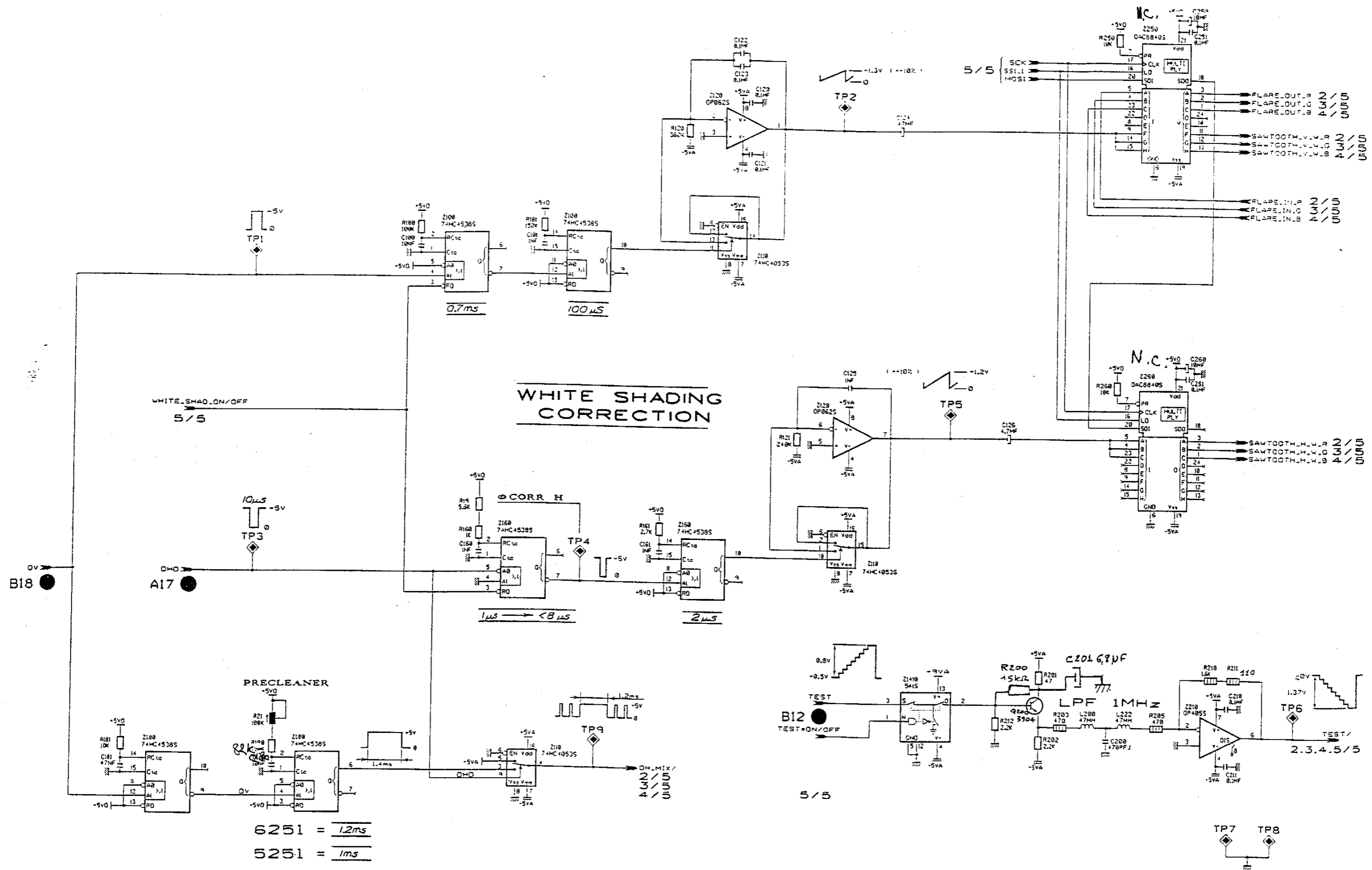
CAMERA					
LD62 1/2	TITLE MPU				
THOMSON	DRAWING NO 4C150403	REV 046	CODE 01/02	SHEET	BLOCK



CAMERA				
LD62 2/2	TITLE MPU			
THOMSON	DRAWING NO 4C150403	REV 046	CODE 02/02	SHEET BLOCK

All rights reserved.
 Contents of this document may not be reproduced in any form
 without the prior written permission of Thomson Broadcast.

Ce document est la propriété de la société THOMSON BROADCAST
 Toute réimpression ou utilisation non autorisée sans la permission
 écrite de la société THOMSON BROADCAST est formellement
 interdite.



6251 = 1.2ms
 5251 = 1ms

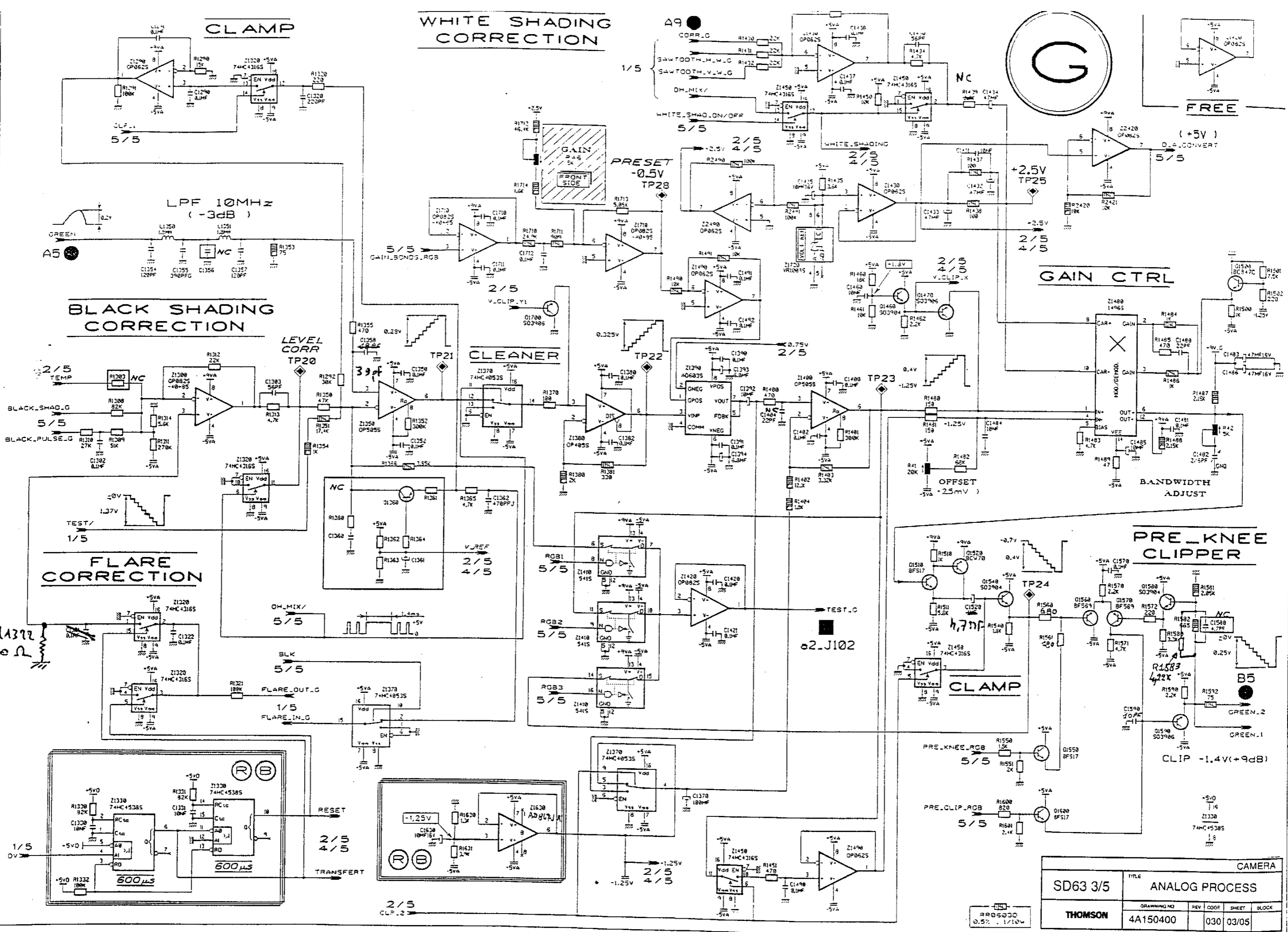
+5V	+5V	+5V
116	115	116
Z100	Z100	Z100
74HC45385	74HC45385	74HC45385
1	1	1

RC3715
 0.25% - 1/4W

CAMERA				
SD63 1/5	TITLE ANALOG PROCESS			
THOMSON	DRAWING NO 4A150400	REV CODE 030	SHEET 01/05	BLOCK

All rights reserved. No part of this document may be reproduced, stored in a retrieval system, or transmitted in any form or by any means, electronic, mechanical, photocopying, recording, or by any information storage and retrieval system, without the prior written permission of Thomson.

This document contains information on a process which is subject to change without notice.

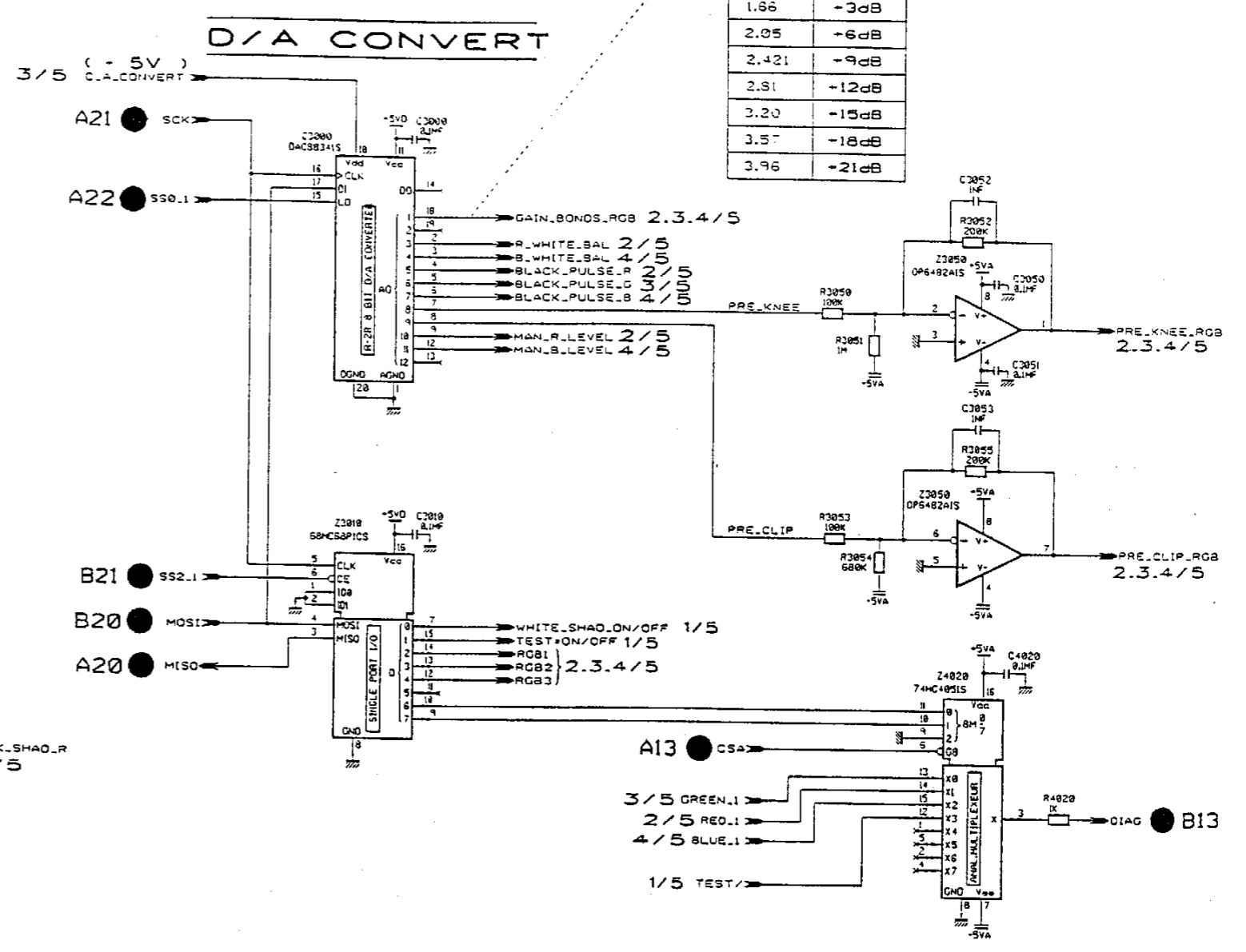
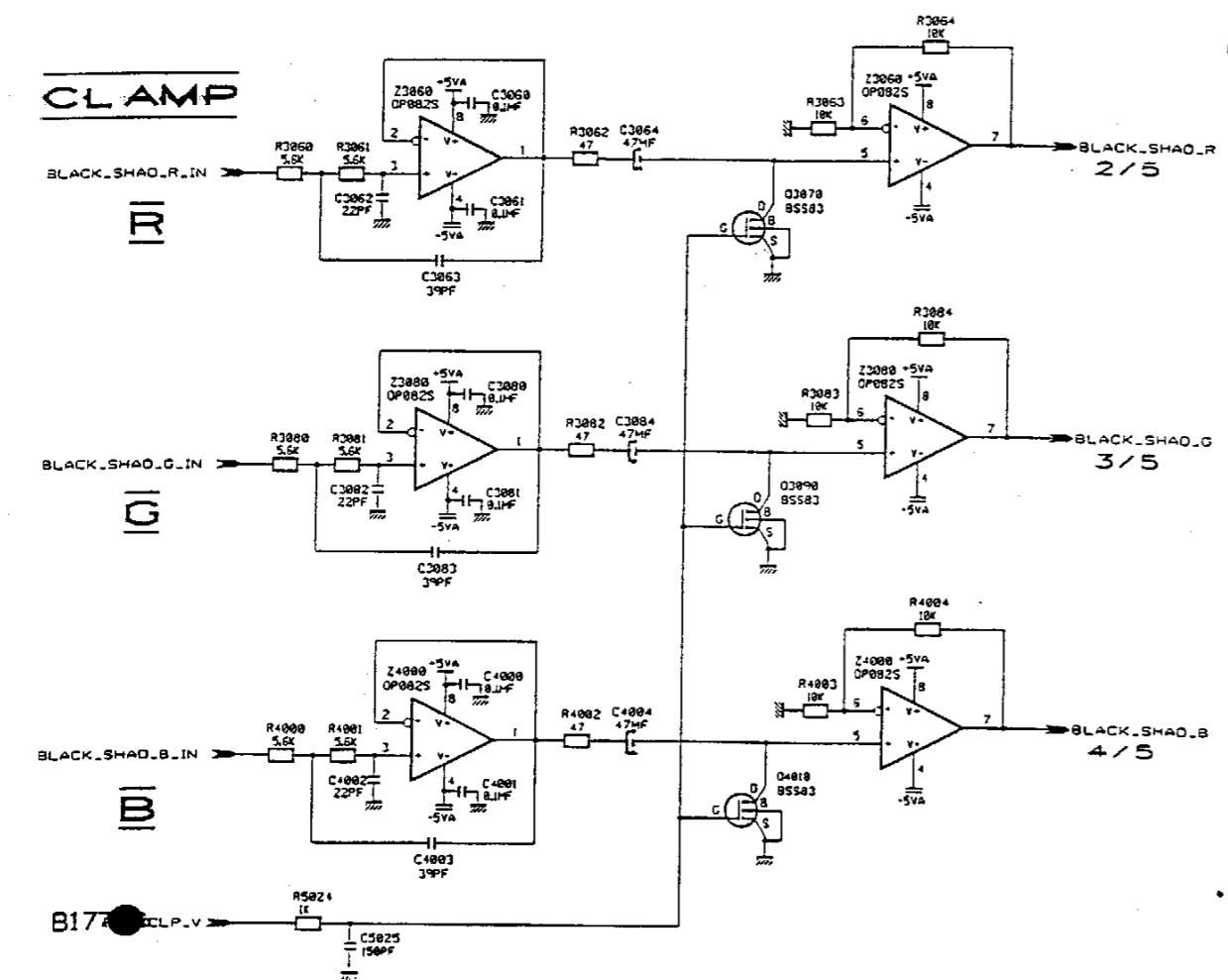
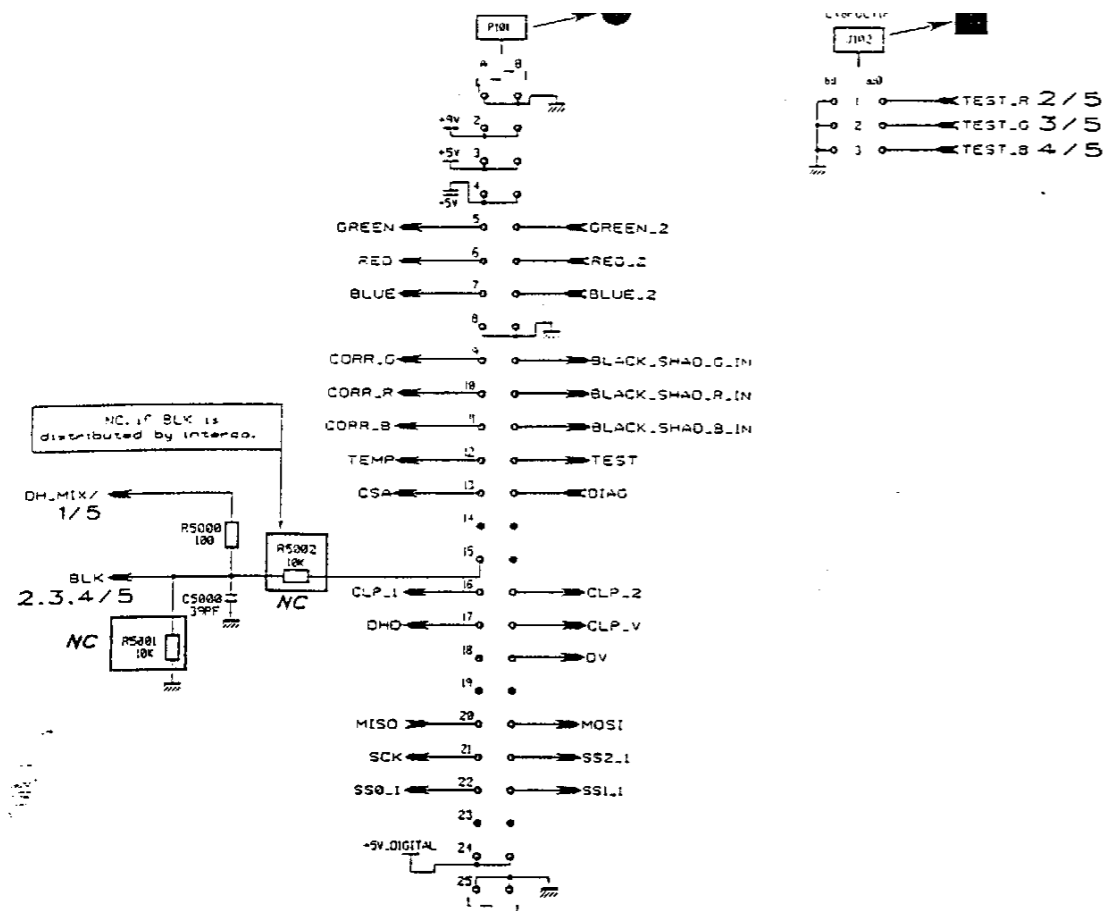


CAMERA	
SD63 3/5	TITLE ANALOG PROCESS
THOMSON	DRAWING NO 4A150400
	REV CODE 030
	SHEET 03/05
	BLOCK

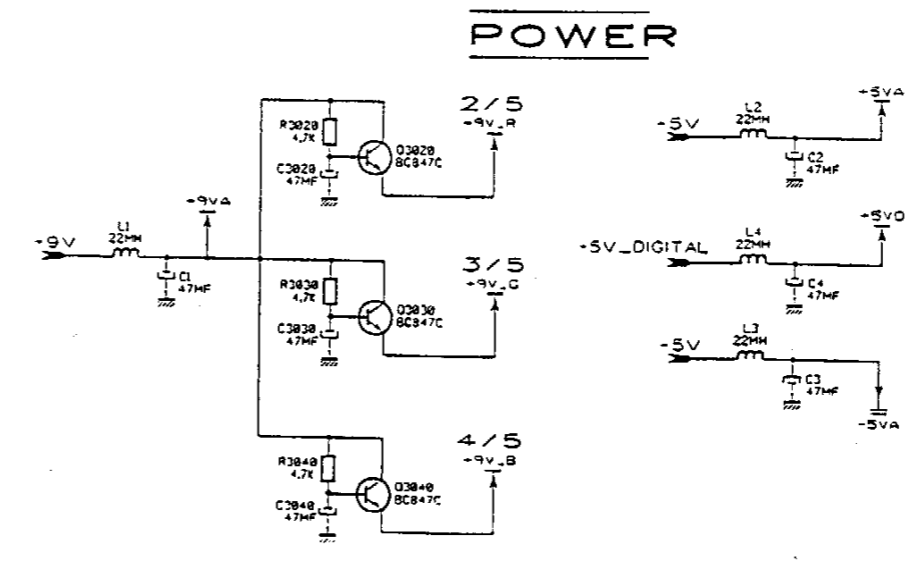
PRO5030
 0.5% 1/10W

All rights reserved. This document may not be reproduced in any form or by any means without the prior written permission of Thomson.

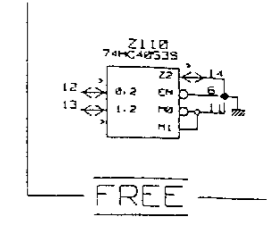
Ce document est la propriété de Thomson. Toute réimpression ou utilisation non autorisée sans la permission écrite de la Thomson est formellement interdite.



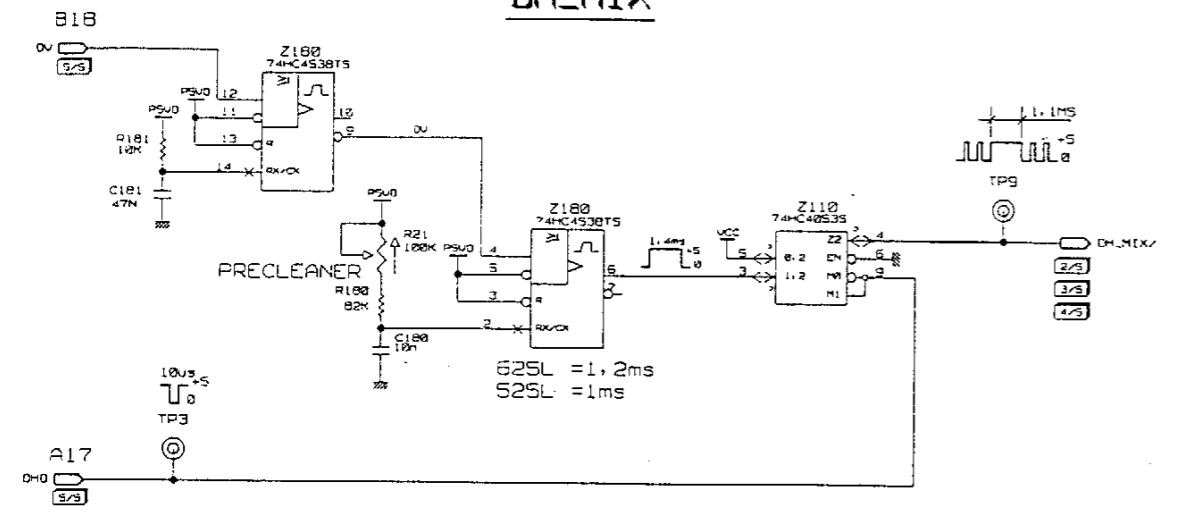
GAIN_BONDS_RGB	
GAIN	
0.89	-3dB
1.28	0dB
1.66	-3dB
2.05	-6dB
2.421	-9dB
2.81	+12dB
3.20	-15dB
3.57	-18dB
3.96	-21dB



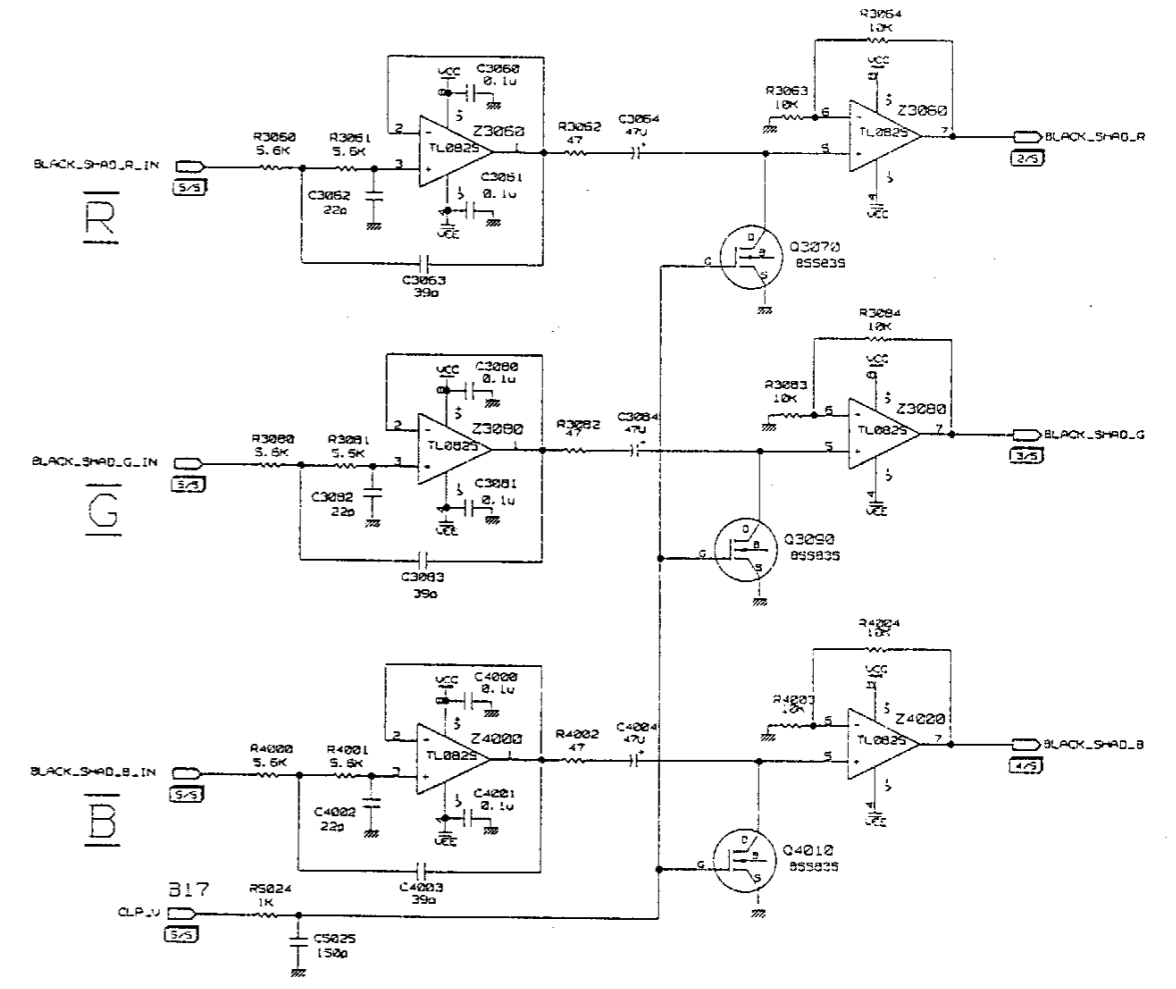
CAMERA				
SD63 5/5	TITLE ANALOG PROCESS			
THOMSON	DRAWING NO 4A150400	REV CODE 030	SHEET 05/05	BLOCK



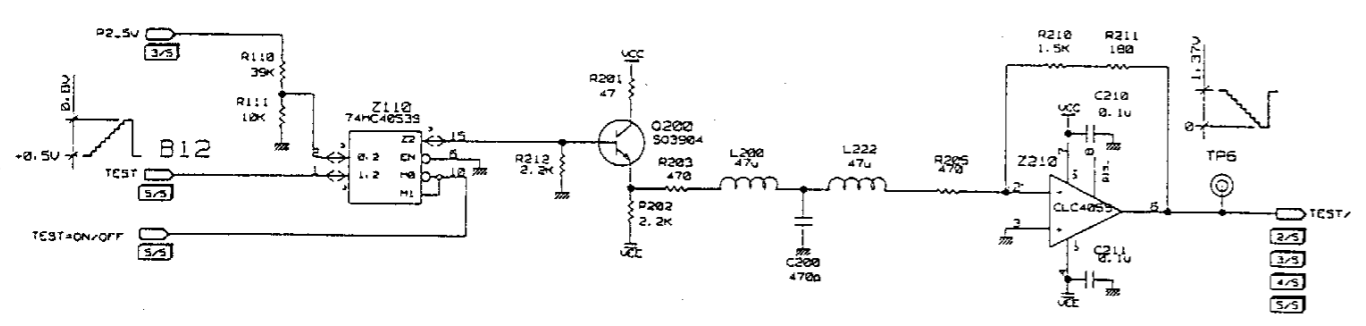
DH_MIX



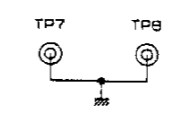
CLAMP



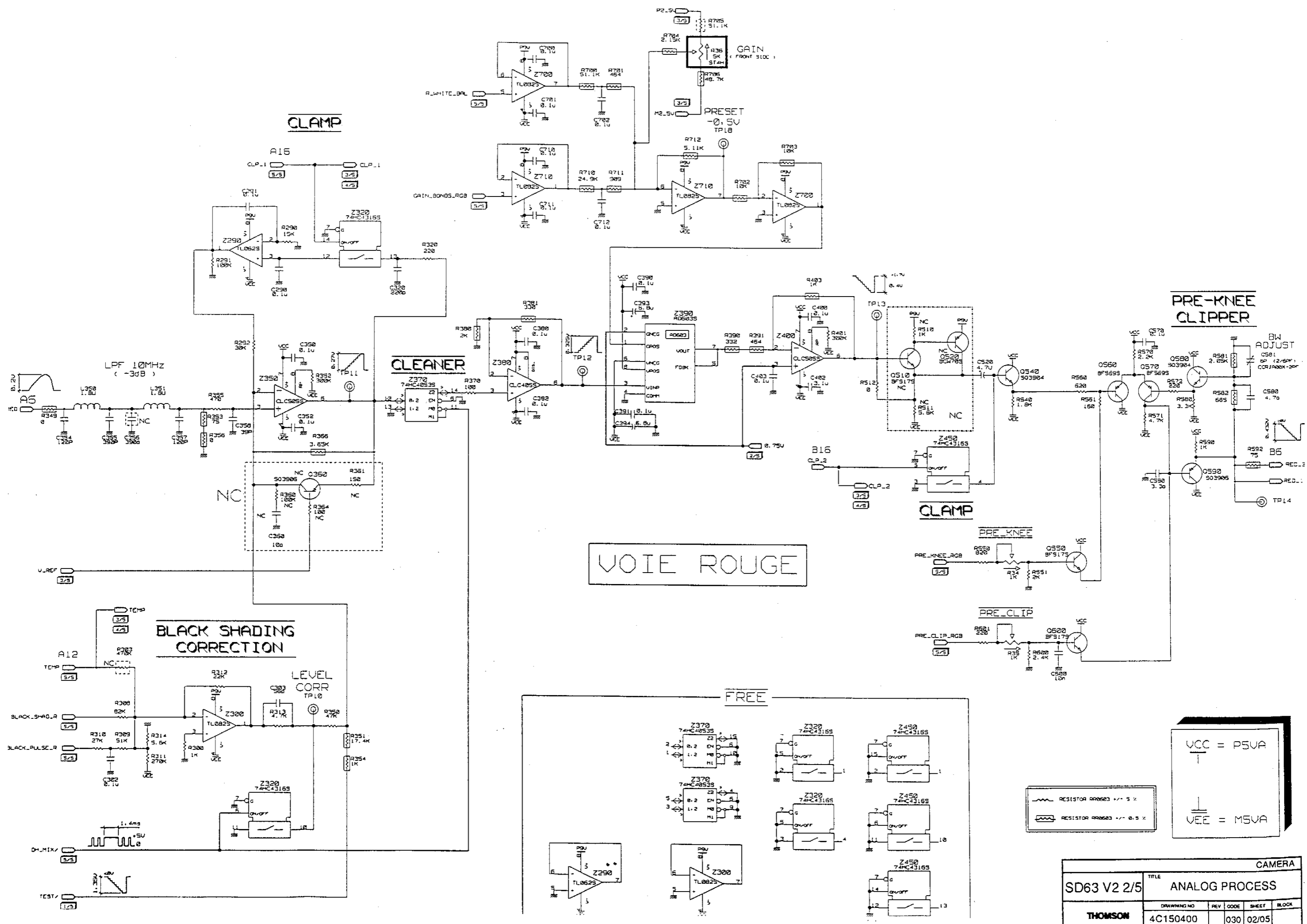
TEST



UCC = P5UA
 VEE = M5UA



CAMERA					
SD63 V2 1/5	TITLE ANALOG PROCESS				
THOMSON	DRAWING NO 4C150400	REV 030	CODE 01/05	SHEET BLOCK	

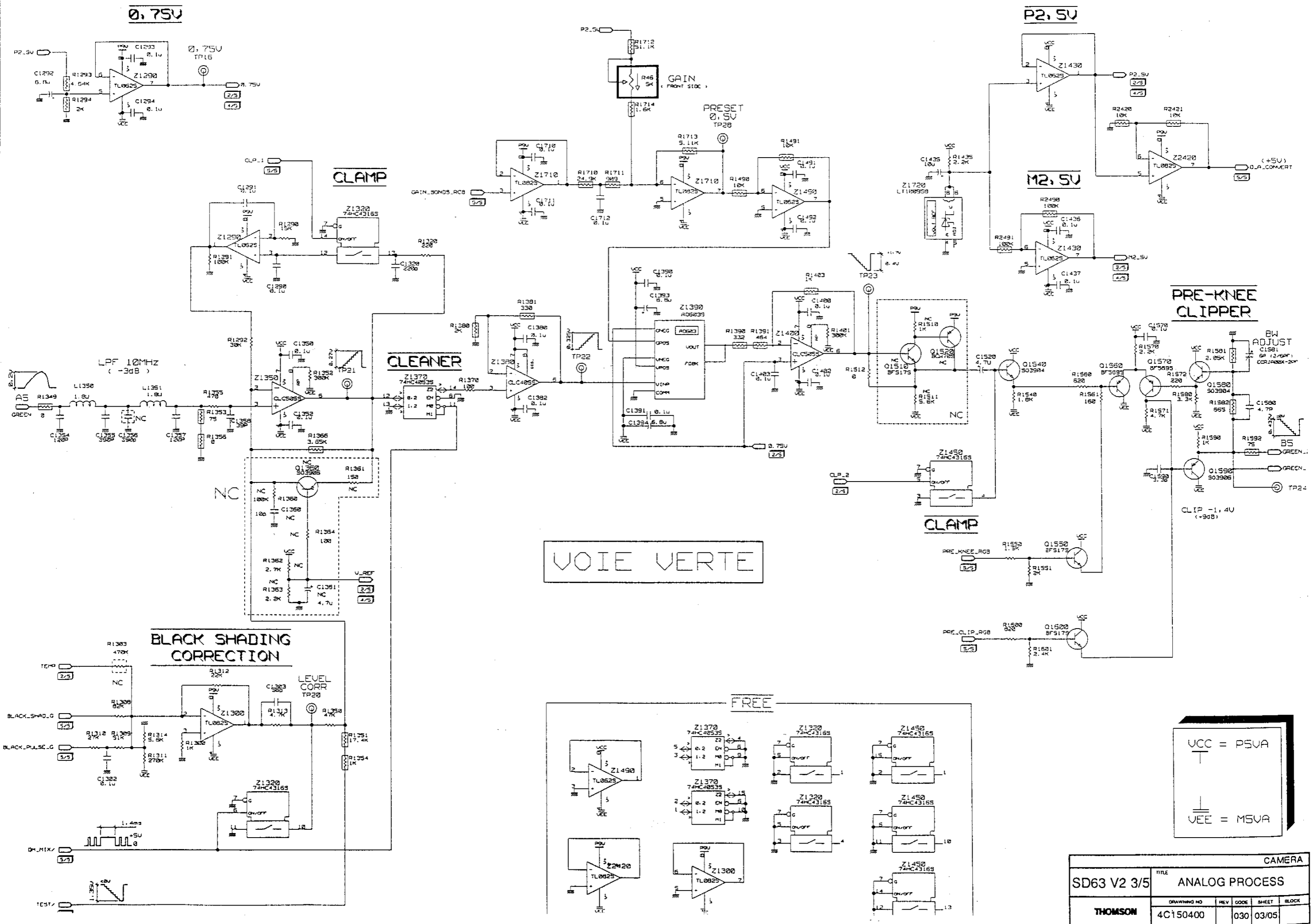


VOIE ROUGE

RESISTOR 00000 ± 5 %
RESISTOR 00000 ± 0.5 %

VCC = PSVA
VEE = MSVA

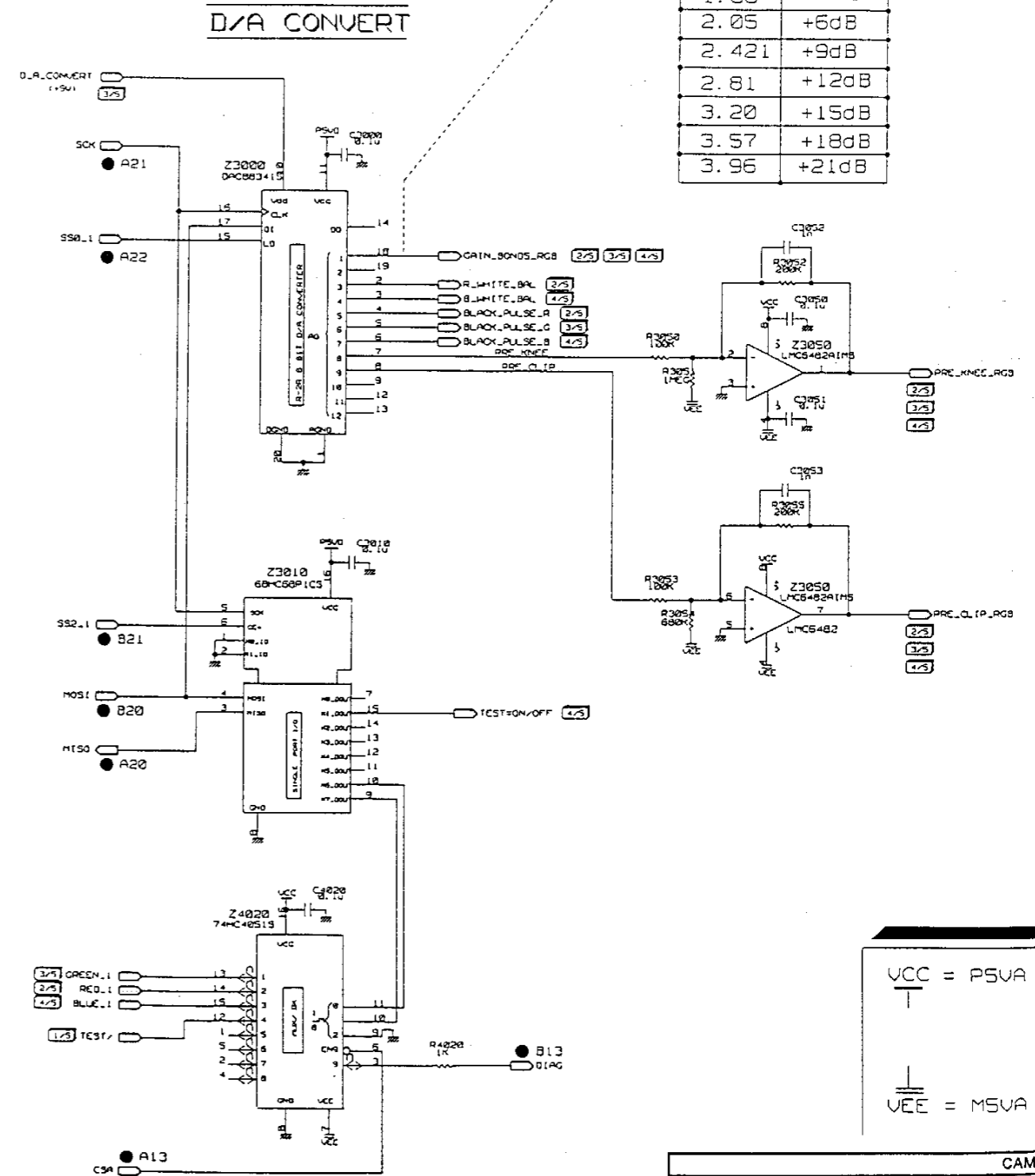
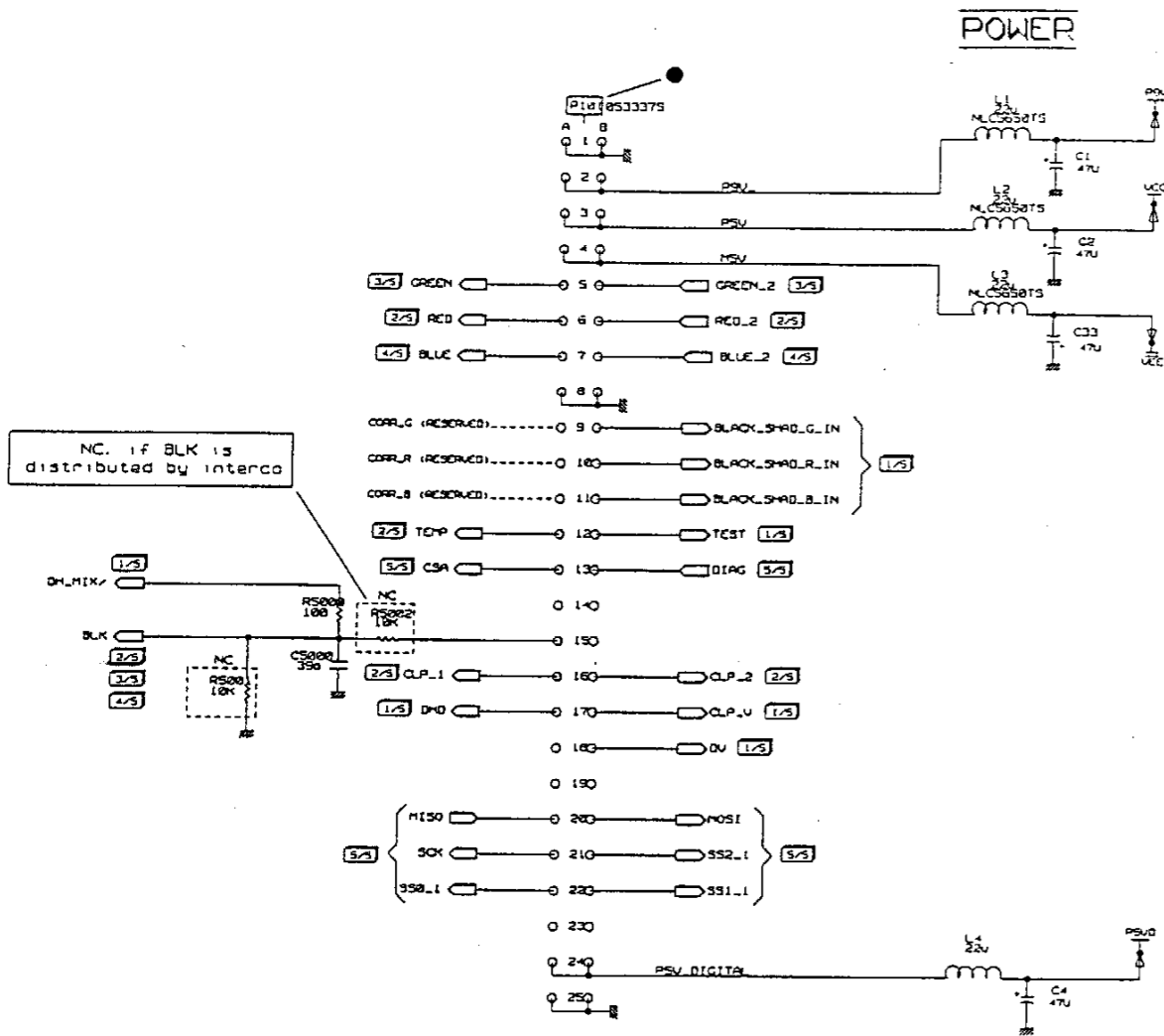
CAMERA				
SD63 V2 2/5	TITLE ANALOG PROCESS			
THOMSON	DRAWING NO 4C150400	REV CODE 030	SHEET 02/05	BLOCK



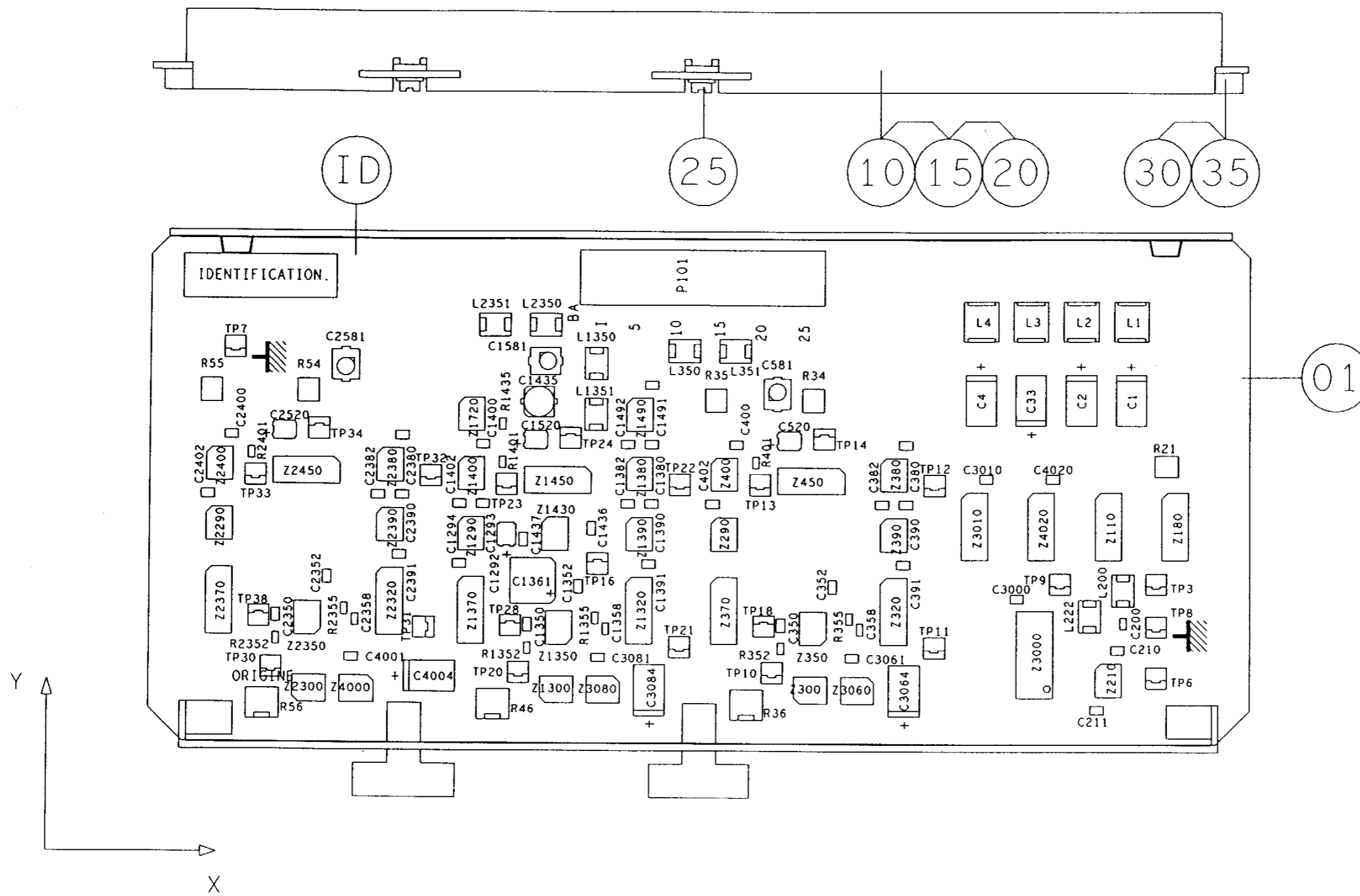
VOIE VERTE

UCC = PSVA
 T
 VEE = MSVA

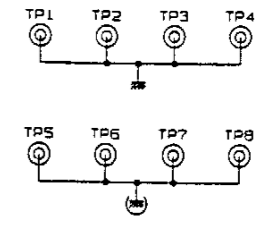
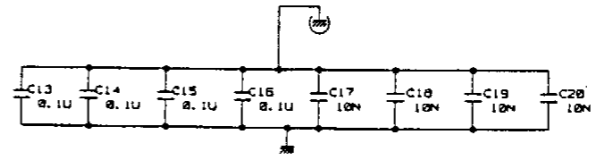
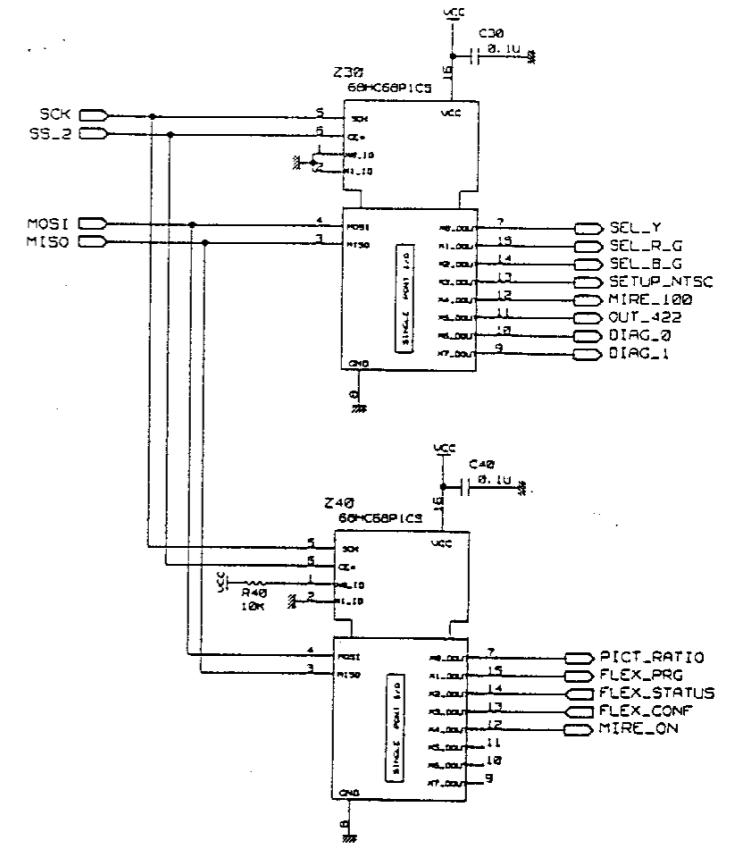
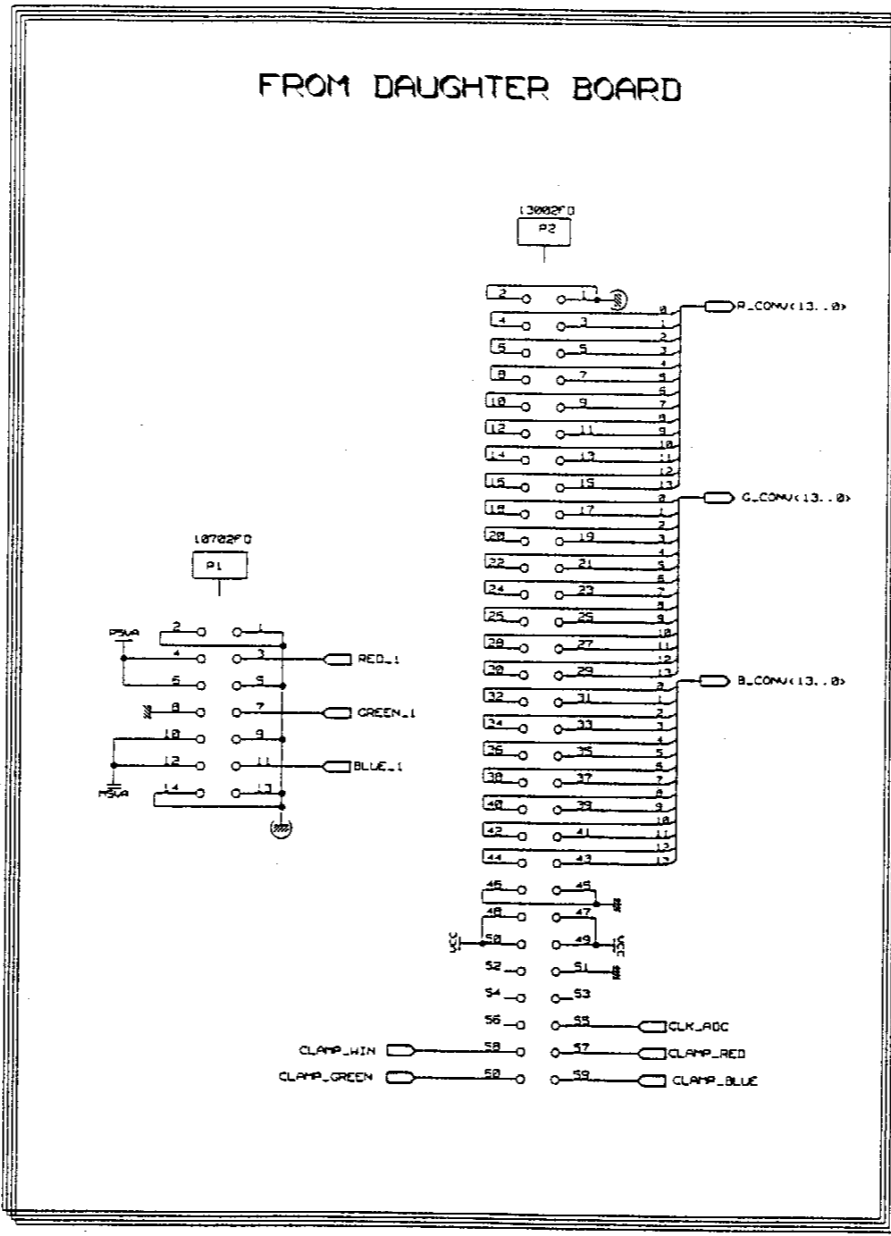
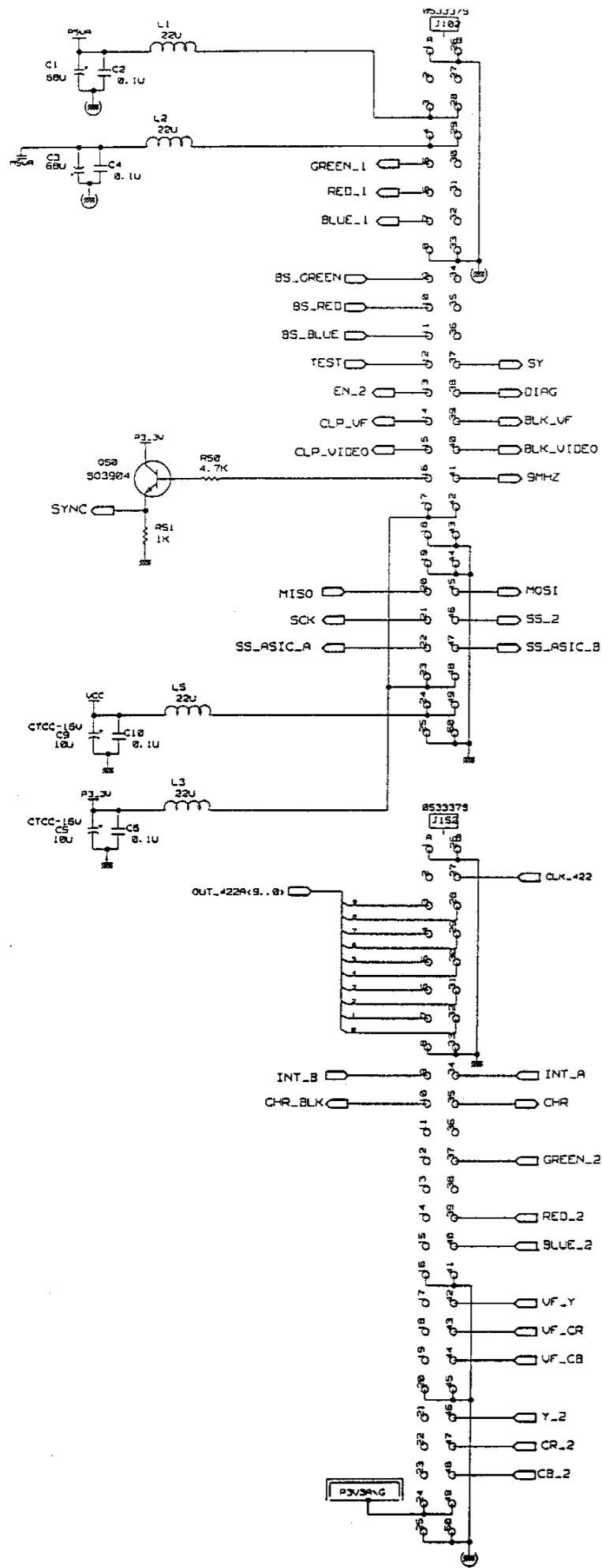
CAMERA				
SD63 V2 3/5	TITLE	ANALOG PROCESS		
THOMSON	DRAWING NO	REV CODE	SHEET	BLOCK
	4C150400	030	03/05	



CAMERA					
SD63 V2 5/5	ANALOG PROCESS				
THOMSON	DRAWING NO 4C150400	REV 030	CODE 05/05	BLOCK	

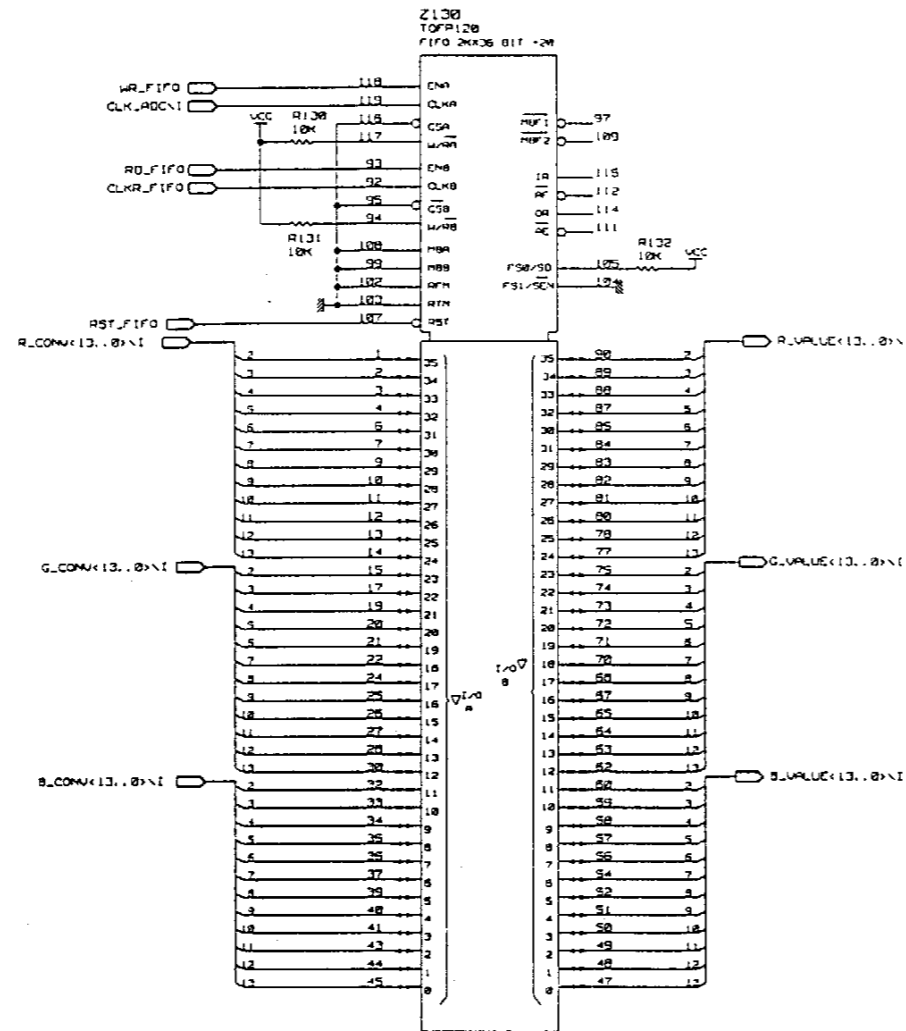
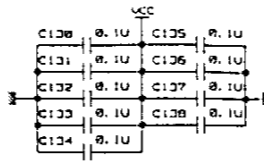
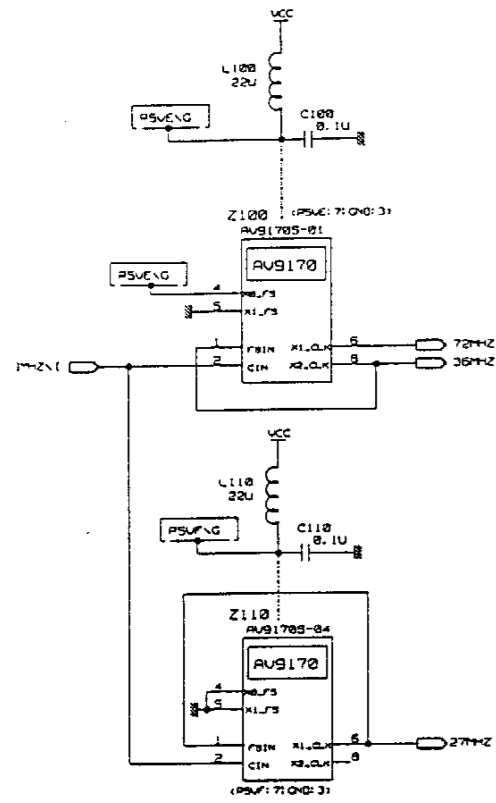


CAMERA					
LD63 V2 1/2	TITLE ANALOG PROCESS				
	DRAWING NO	REV	CODE	SHEET	BLOCK
THOMSON	4C150400	046	01/02		

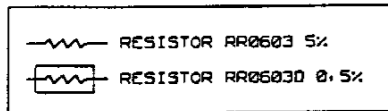
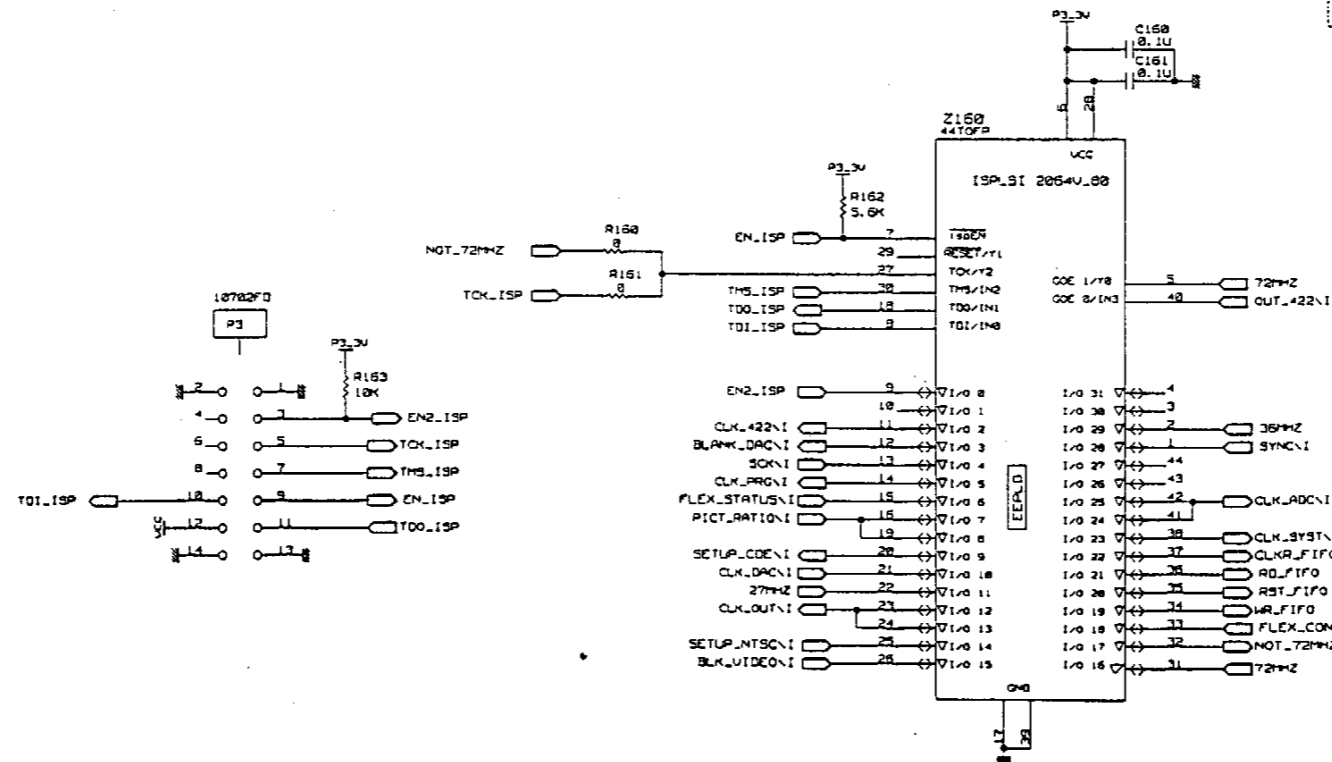
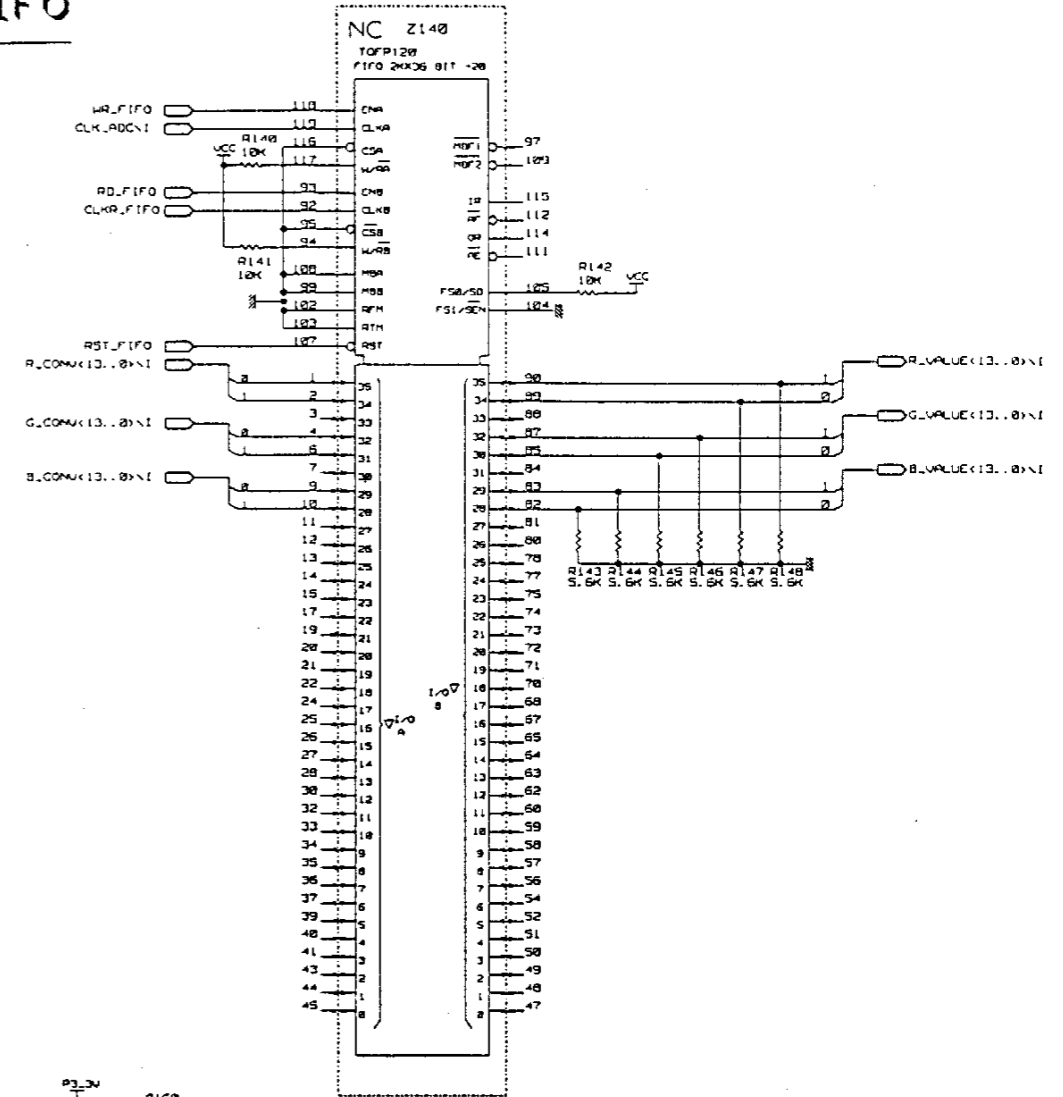
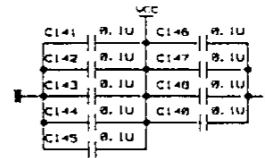


CAMERA				
SD64M 2/8	DIGITAL PROCESS 1 MOTHER			
THOMSON	DRAWING NO 4D150401	REV CODE 030	SHEET 02/08	BLOCK

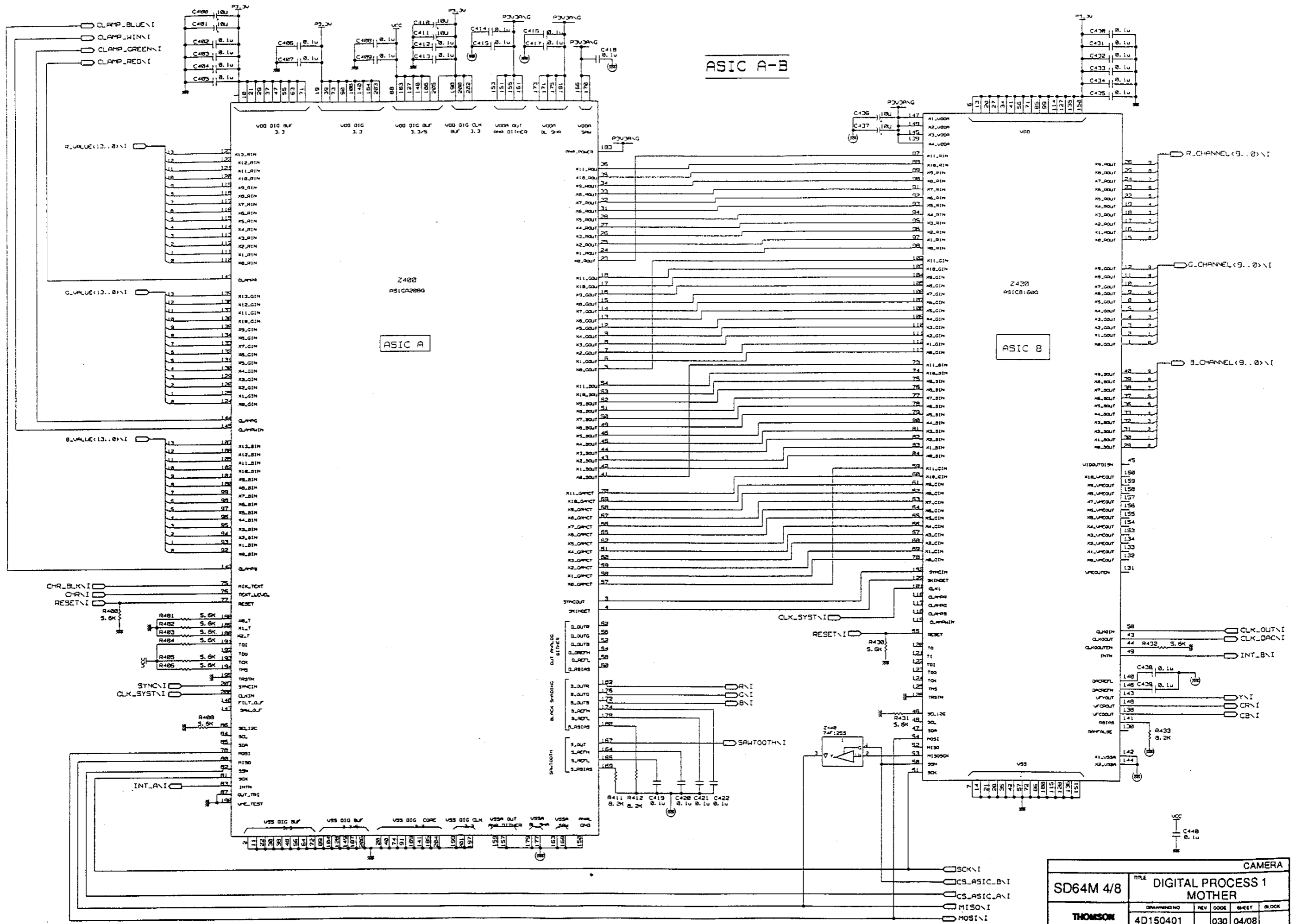
CLOCK GENERATION



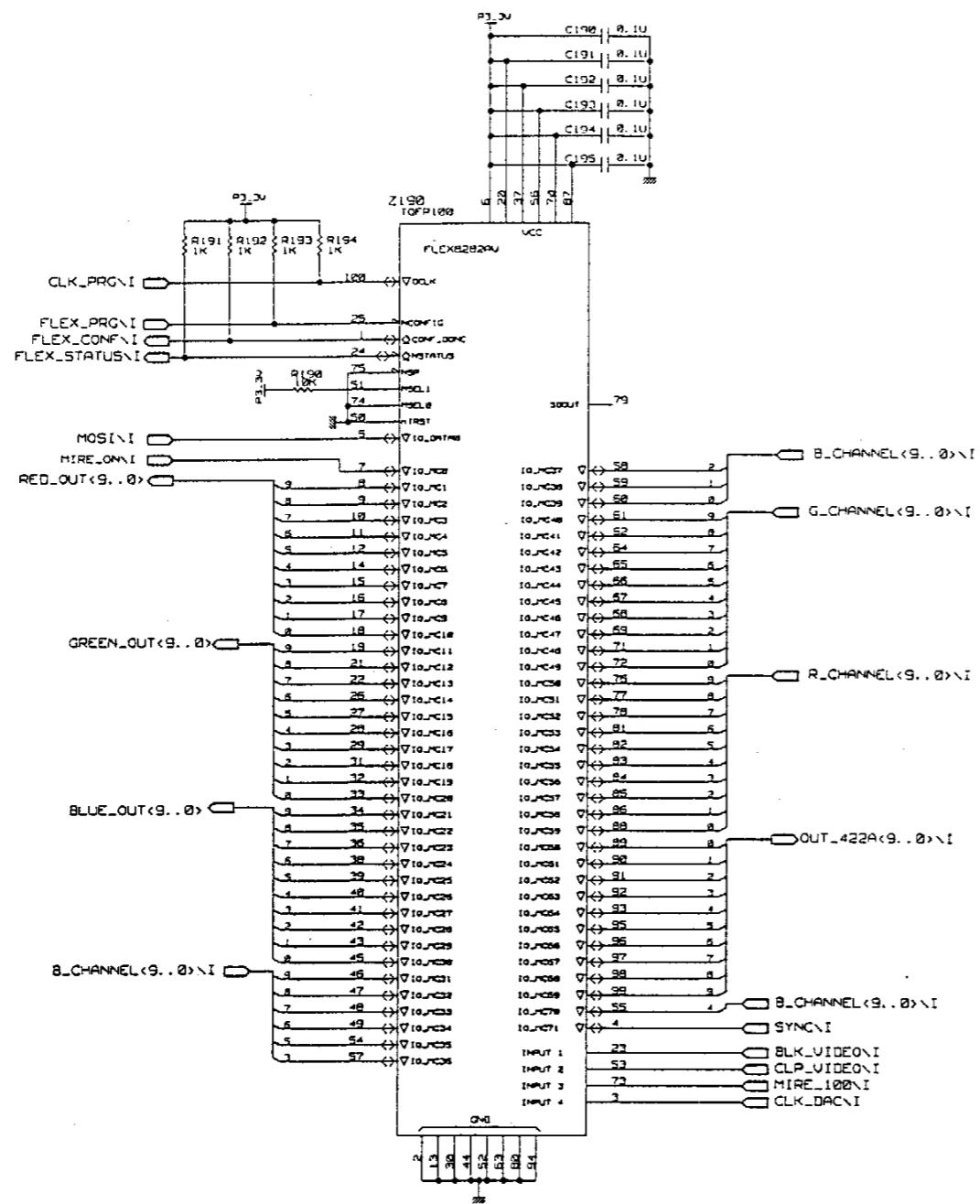
FIFO



CAMERA				
SD64M 3/8	TITLE DIGITAL PROCESS 1 MOTHER			
THOMSON	DRAWING NO 4D150401	REV CODE 030	SHEET 03/08	BLOCK

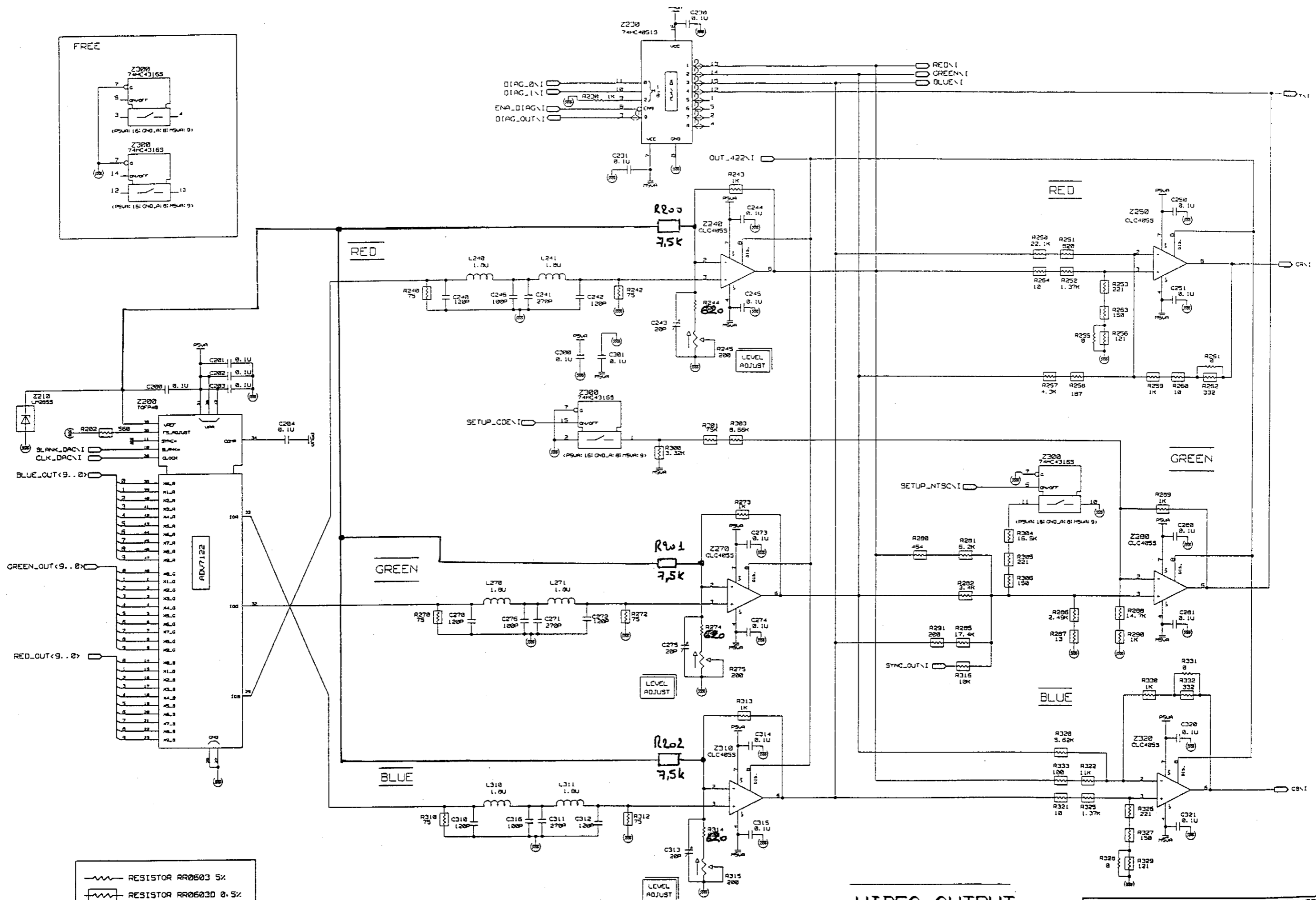
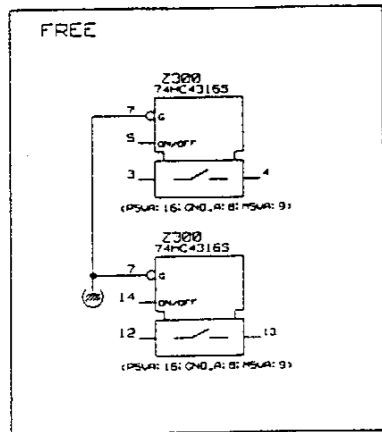


CAMERA				
SD64M 4/8	TITLE DIGITAL PROCESS 1 MOTHER			
THOMSON	DRAWING NO 4D150401	REV CODE 030	SHEET 04/08	BLOCK



VIDEO OUTPUT

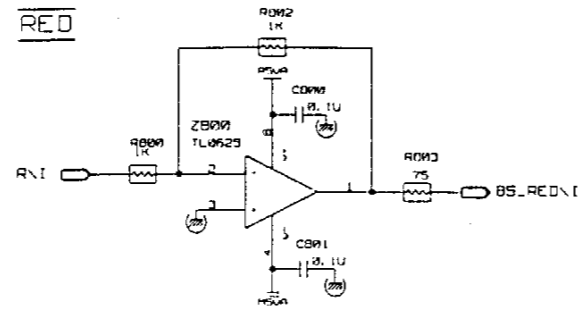
CAMERA				
SD64M 5/8	DIGITAL PROCESS 1 MOTHER			
THOMSON	DRAWING NO 4D150401	REV 030	CODE 05/08	SHEET BLOCK



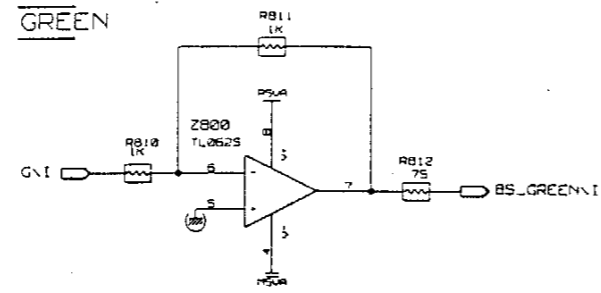
VIDEO OUTPUT

CAMERA		TITLE		
SD64M 6/8	DIGITAL PROCESS 1 MOTHER			
THOMSON	DRAWING NO.	REV	CODE	SHEET
	4D150401	030	06/08	BLOCK

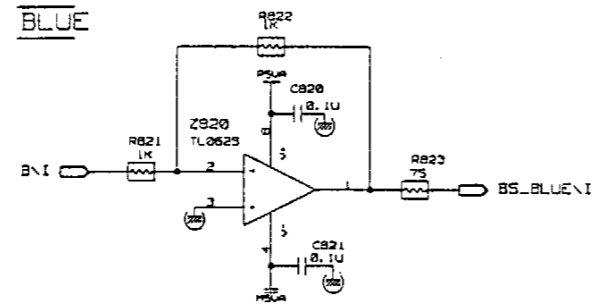
RED



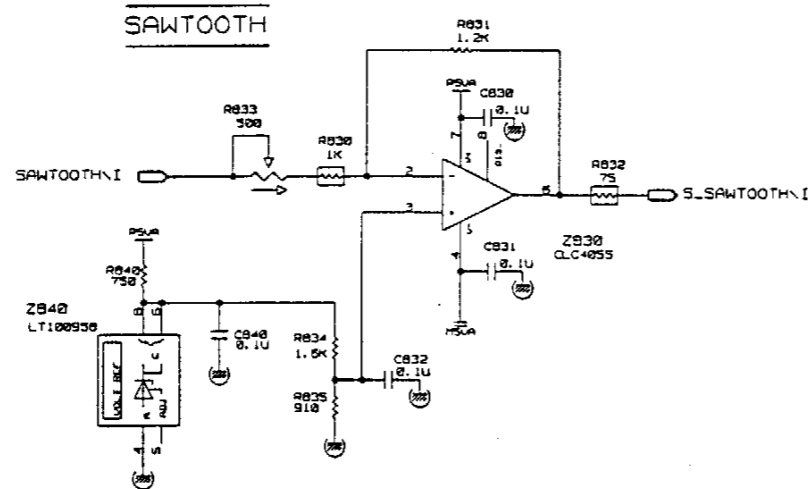
GREEN



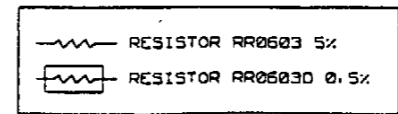
BLUE



SAWTOOTH

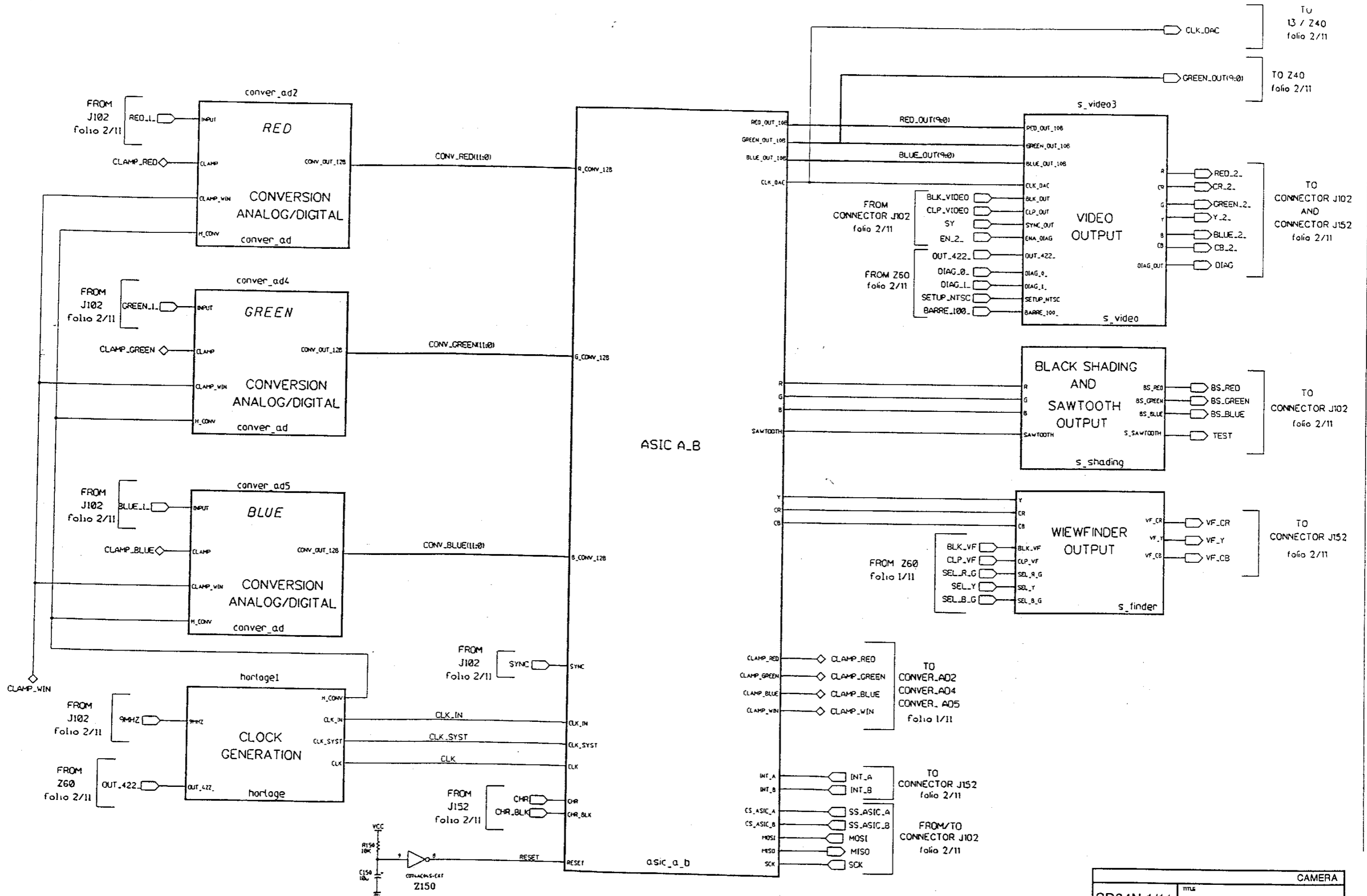


BLACK SHADING AND SAWTOOTH
OUTPUT



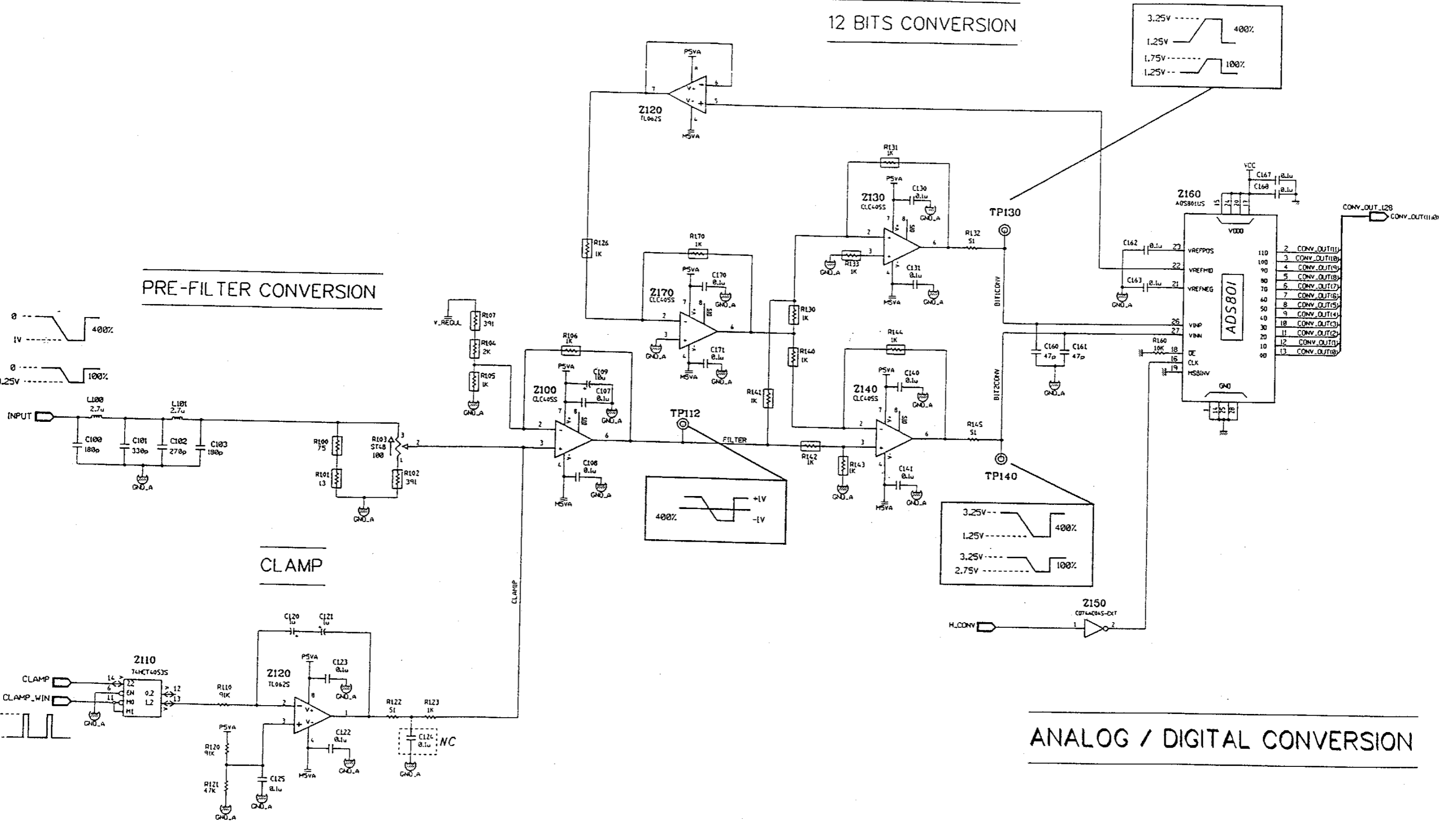
CAMERA				
SD64M 7/8	TITLE DIGITAL PROCESS 1 MOTHER			
THOMSON	DRAWING NO 4D150401	REV 030	CODE 07/08	BLOCK

Contents of this document are not to be reproduced in any form, for whatever use, without the prior written permission of Thomson.



CAMERA					
SD64N 1/11	TITLE DIGITAL PROCESS (N)				
THOMSON	DRAWING NO	REV	CODE	SHEET	BLOCK
	47033346		030	01/11	

ALL RIGHTS RESERVED.
 No part of this document may be reproduced in any form
 without the prior written permission of Thomson SA.
 Toute réimpression ou utilisation non autorisée sans la permission
 écrite de Thomson SA est formellement interdite.



ANALOG / DIGITAL CONVERSION

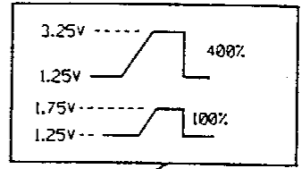
RED CHANNEL

RESISTOR RR06030 0.5 %
 RESISTOR RR0603 5 %

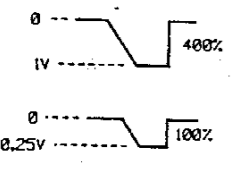
CAMERA				
SD64N 3/11	TITLE DIGITAL PROCESS (N)			
THOMSON	DRAWING NO 47033346	REV CODE 030	SHEET 03/11	BLOCK

All rights reserved. No part of this document may be reproduced in any form or by any means without the prior written permission of Thomson Microelectronics.

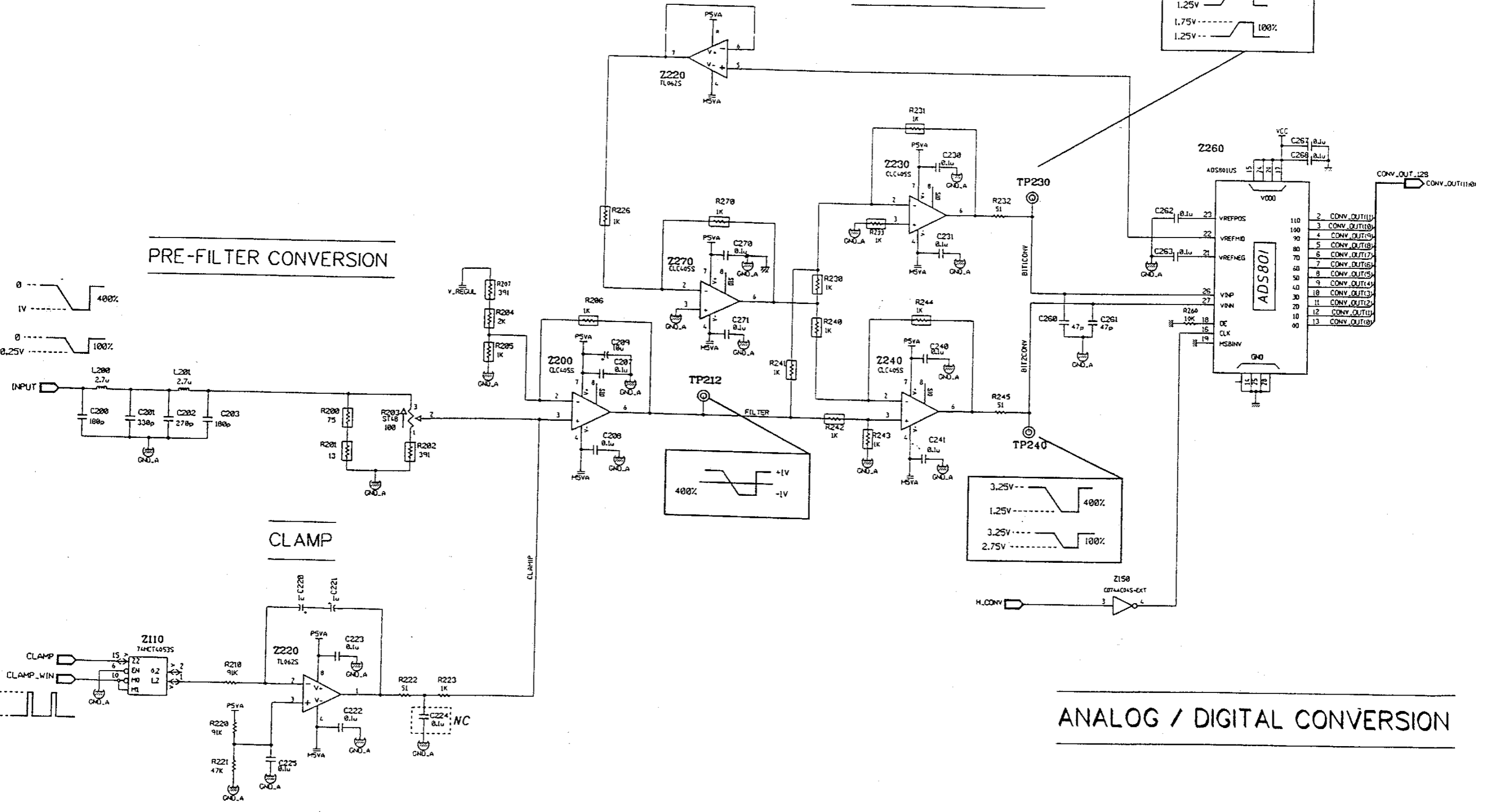
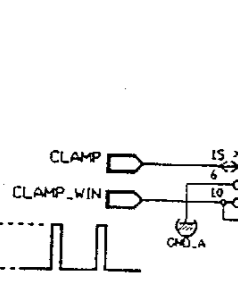
12 BITS CONVERSION



PRE-FILTER CONVERSION



CLAMP

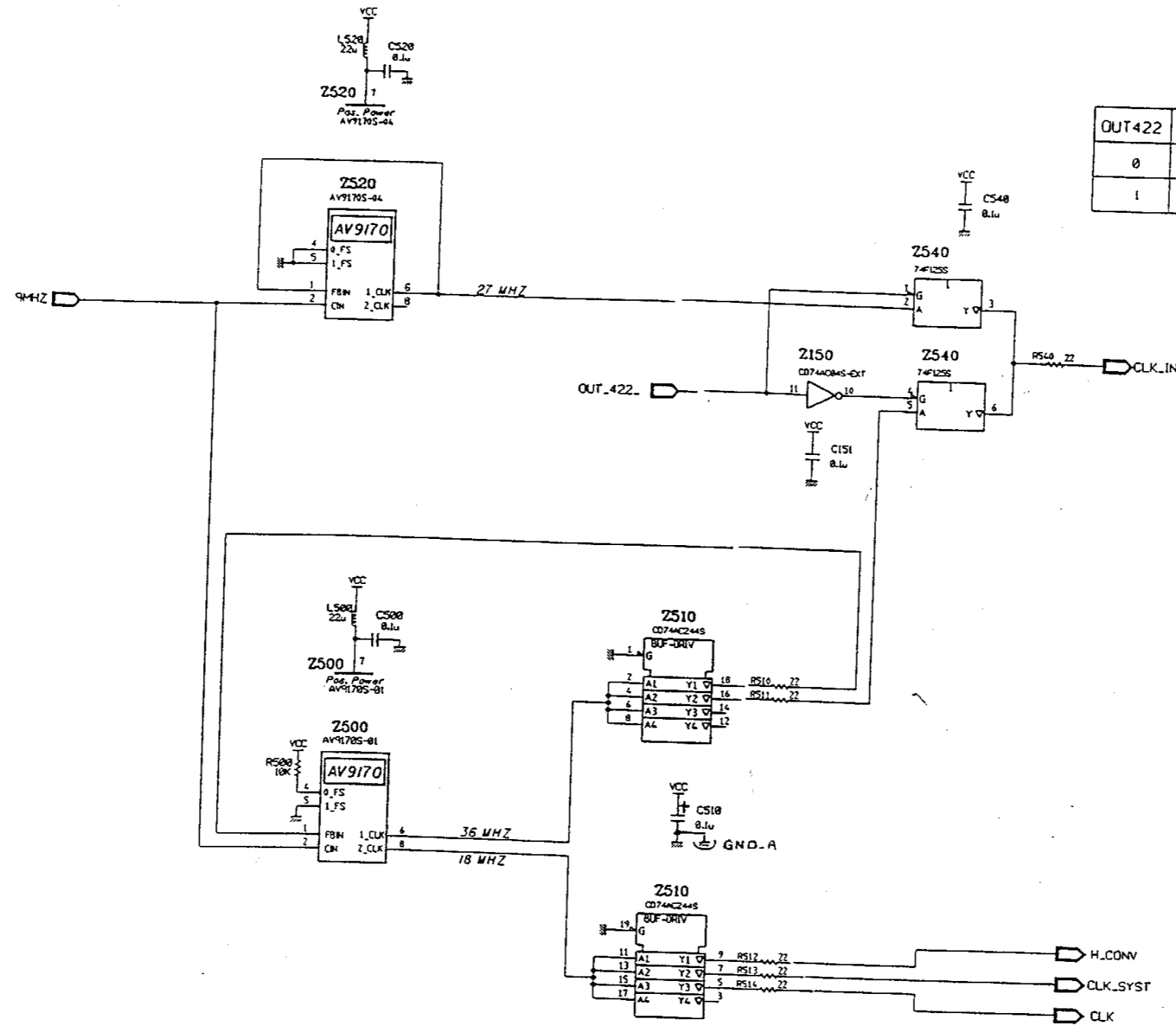


ANALOG / DIGITAL CONVERSION

GREEN CHANNEL

RESISTOR RR0603D 0.5 %
 RESISTOR RR0603 5 %

CAMERA				
SD64N 4/11	TITLE DIGITAL PROCESS (N)			
THOMSON	DRAWING NO 47033346	REV CODE 030	SHEET 04/11	BLOCK



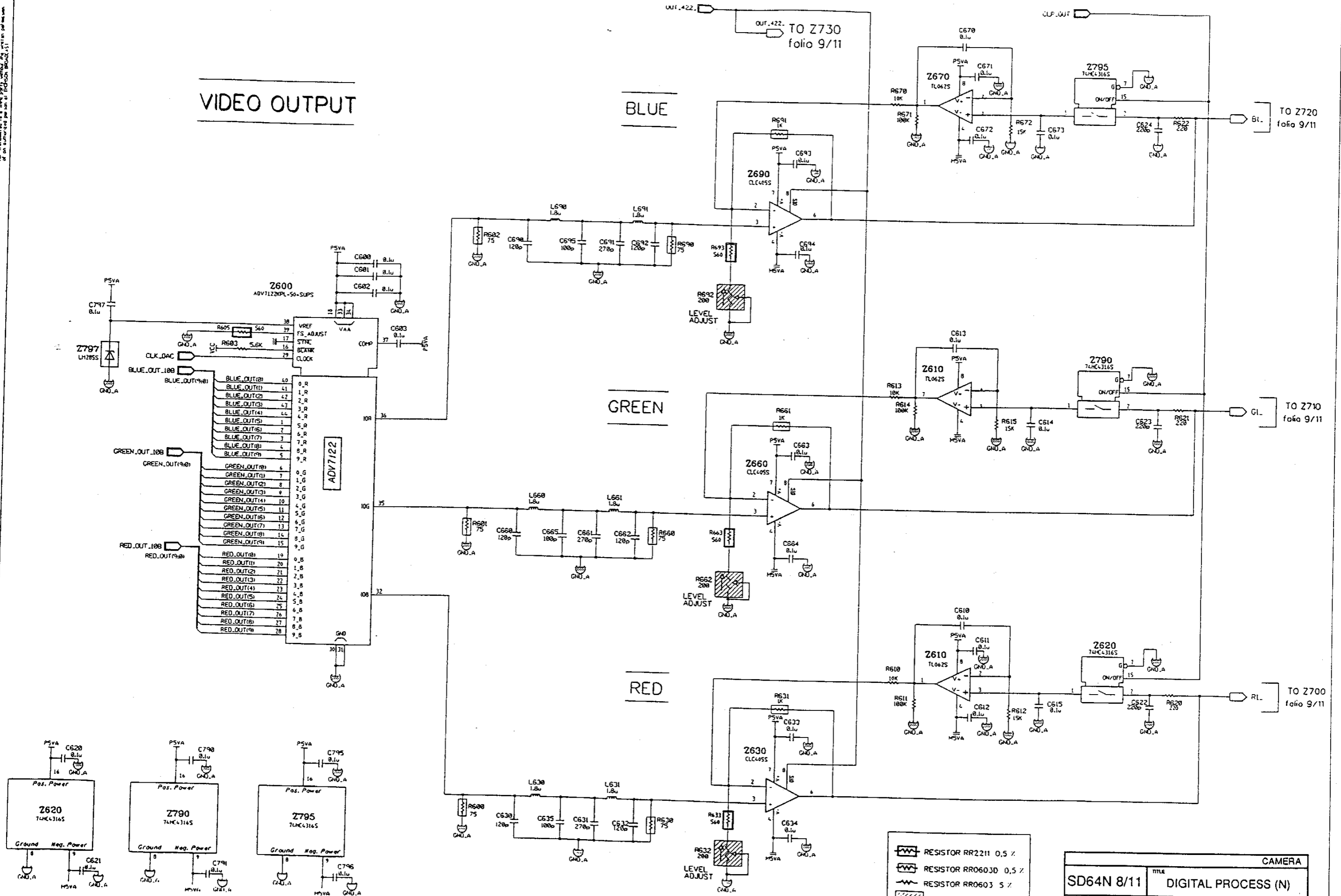
OUT422	
0	27 MHz
1	36 MHz

CLOCK GENERATION

CAMERA				
SD64N 6/11	TITLE DIGITAL PROCESS (N)			
THOMSON	DRAWING NO	REV	CODE	SHEET
	47033346	030	06/11	

Copy of this document is not to be reproduced or stored in a retrieval system without the prior written permission of Thomson Broadcast SA.

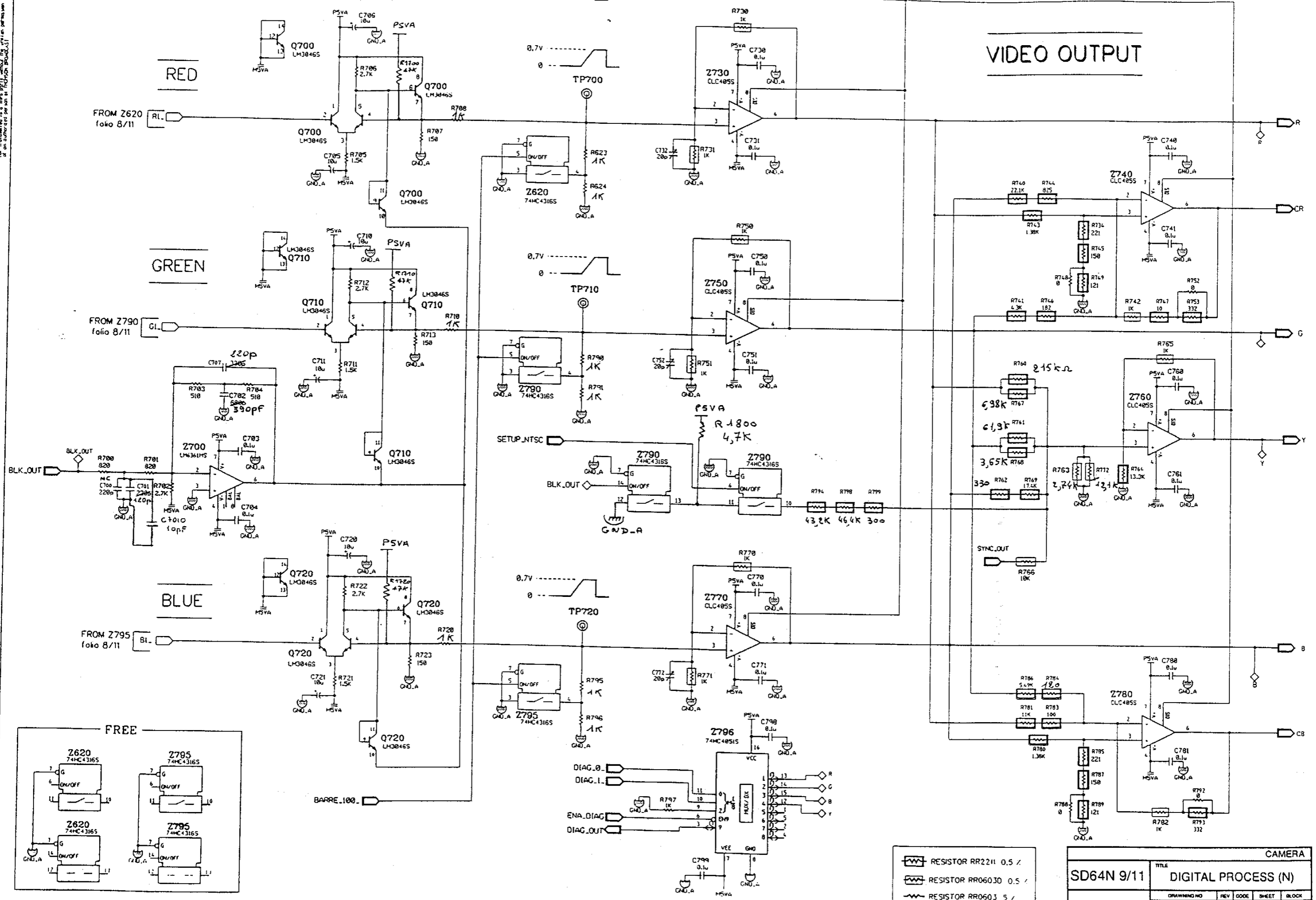
VIDEO OUTPUT



- RESISTOR RR2211 0.5 %
- RESISTOR RR0603D 0.5 %
- RESISTOR RR0603 5 %
- FRONT SIDE

CAMERA				
SD64N 8/11	TITLE	DIGITAL PROCESS (N)		
THOMSON	DRAWING NO	REV	CODE	SHEET
	47033346	030	08/11	BLOCK

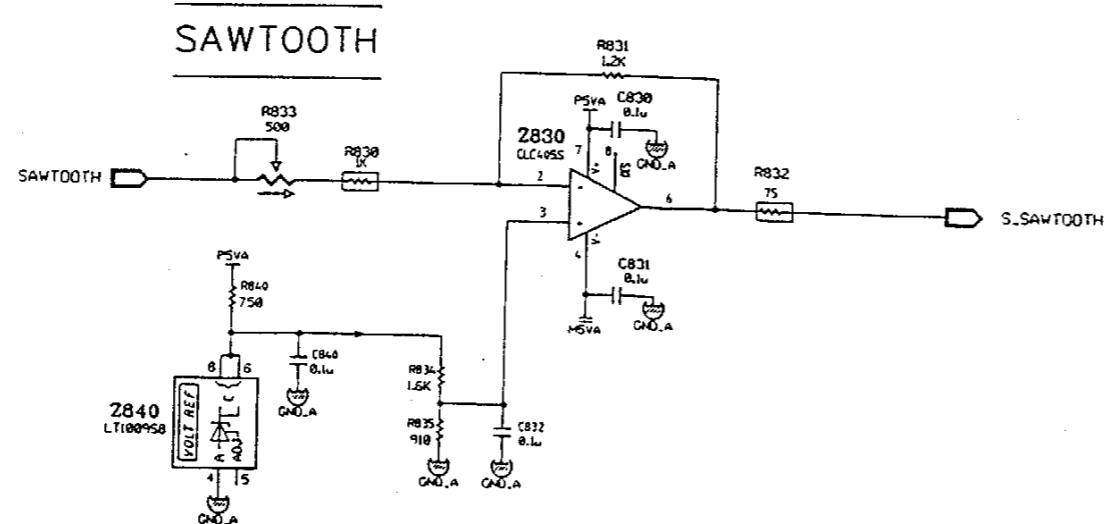
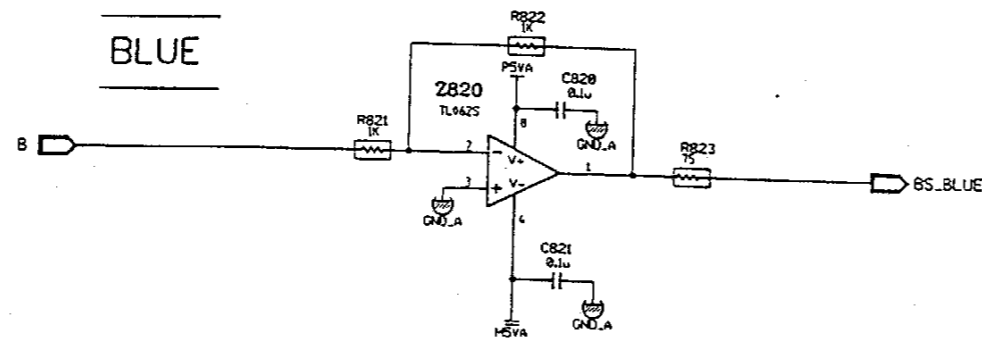
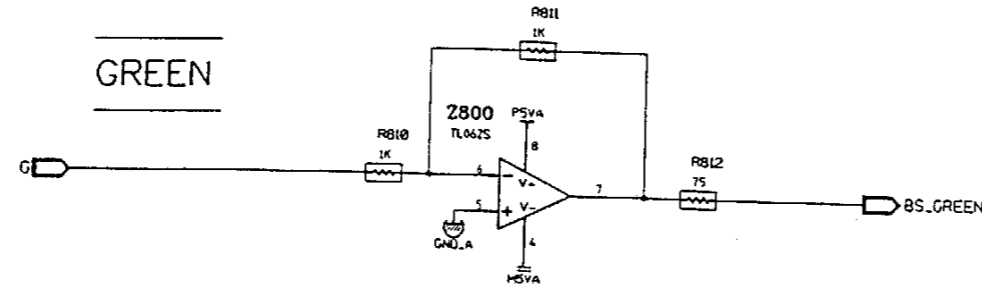
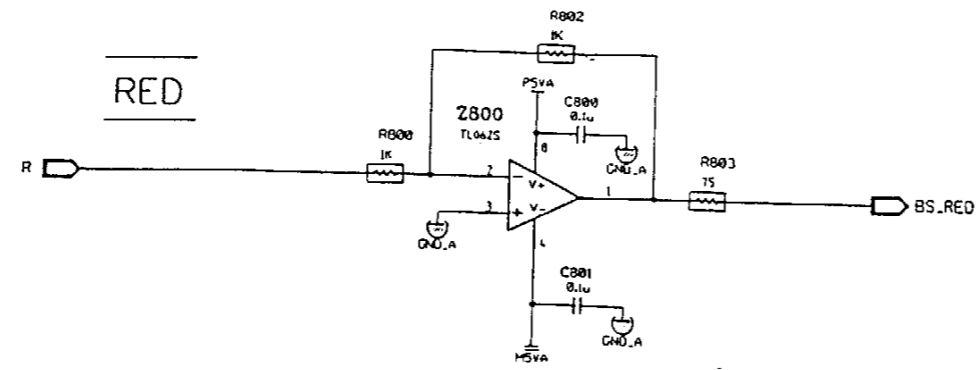
VIDEO OUTPUT



Conformité de l'impression pour les renseignements, voir l'annexe 1.
 Pour l'impression, il est recommandé d'utiliser un papier de 100g/m².
 Le format de l'impression est de 100x150 mm.

- RESISTOR RR2211 0.5 %
- RESISTOR RR06030 0.5 %
- RESISTOR RR0603 5 %

CAMERA				
SD64N 9/11		TITLE		
		DIGITAL PROCESS (N)		
THOMSON	DRAWING NO	REV	CODE	SHEET
	47033346	030	09/11	BLOCK

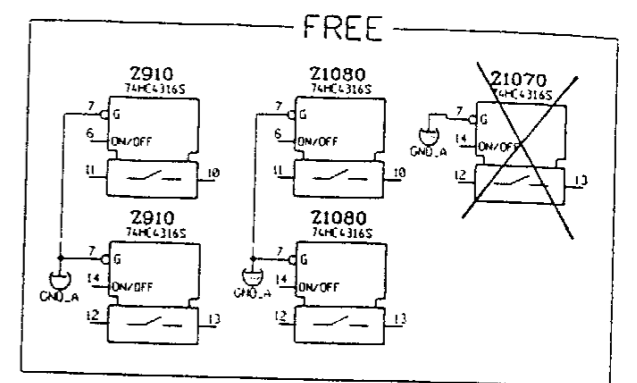
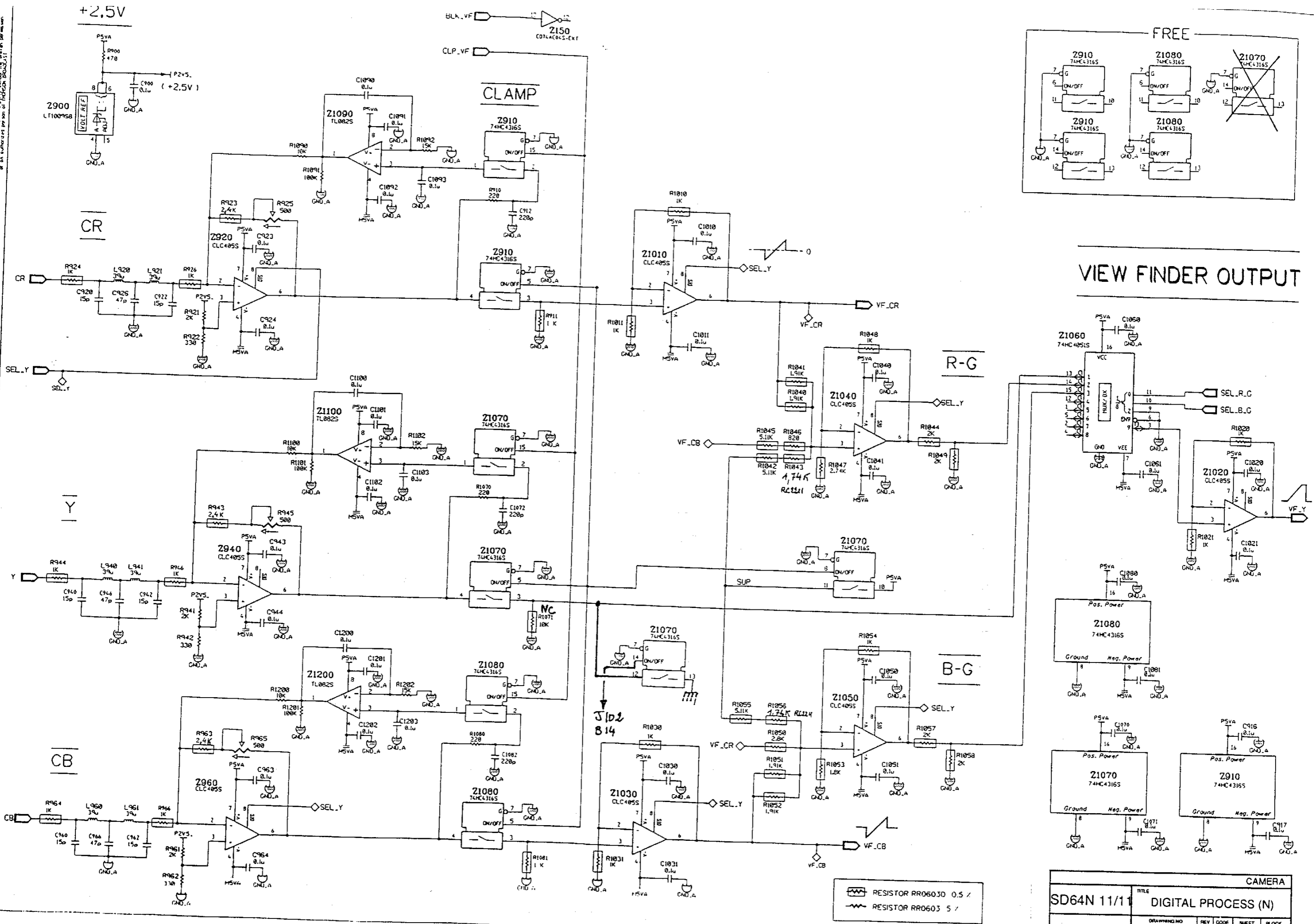


BLACK SHADING AND SAWTOOTH
OUTPUT

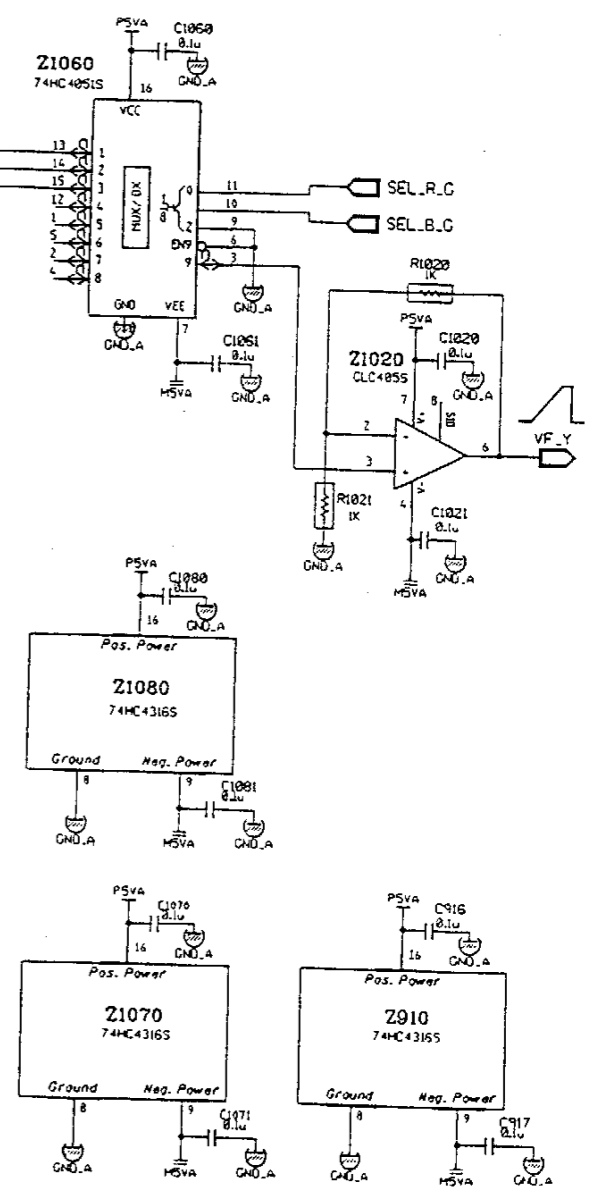
RESISTOR RR0603D 0.5 %
RESISTOR RR0603 5 %

CAMERA				
SD64N 10/11	TITLE DIGITAL PROCESS (N)			
THOMSON	DRAWING NO	REV	CODE	SHEET
	47033346	030	10/11	BLOCK

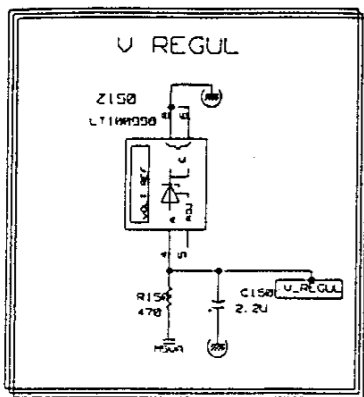
Copyright © 1988 Thomson S.A. All rights reserved. No part of this document may be reproduced or transmitted in any form or by any means electronic or mechanical, including photocopying, recording, or by any information storage and retrieval system, without the prior written permission of Thomson S.A.



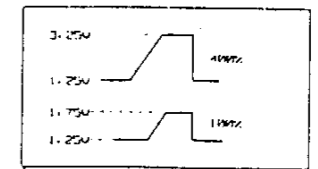
VIEW FINDER OUTPUT



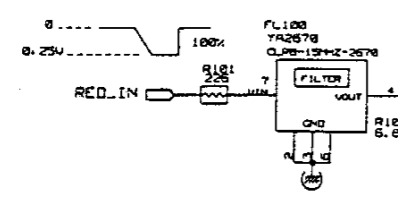
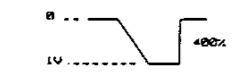
CAMERA				
SD64N 11/11	TITLE DIGITAL PROCESS (N)			
THOMSON	DRAWING NO 47033346	REV CODE 030	SHEET 11/11	BLOCK



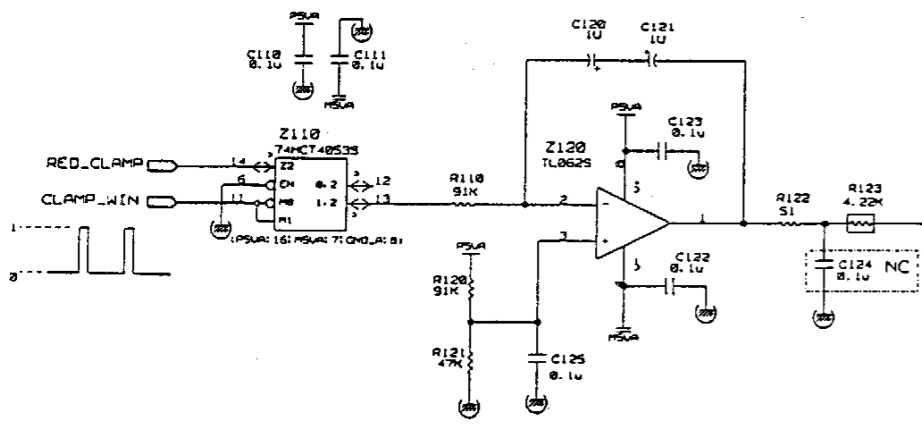
12 BITS CONVERSION



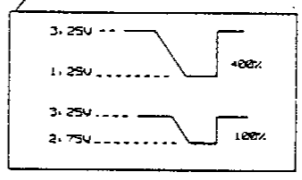
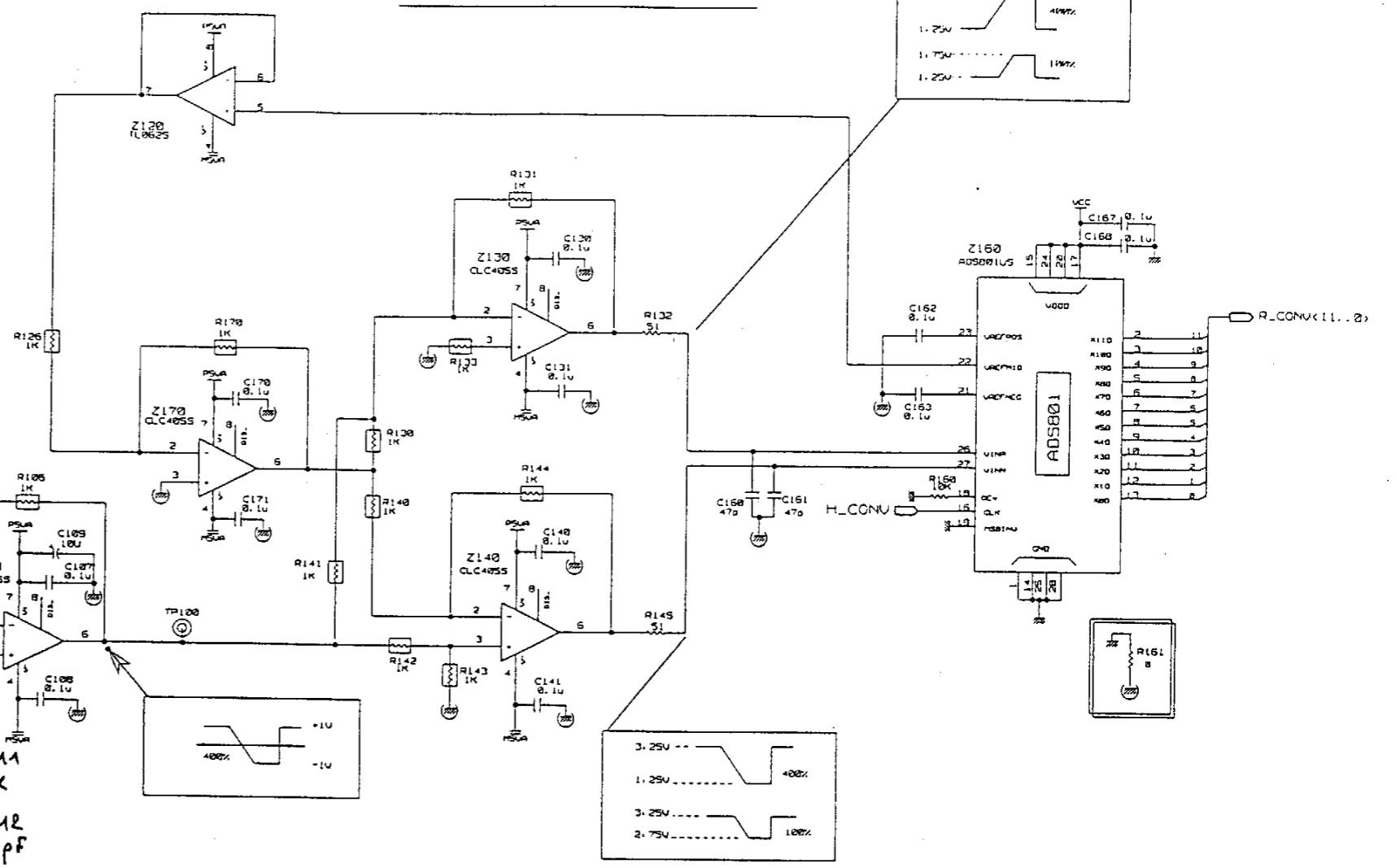
PRE-FILTER CONVERSION



CLAMP



R111 51K
C112 18pF



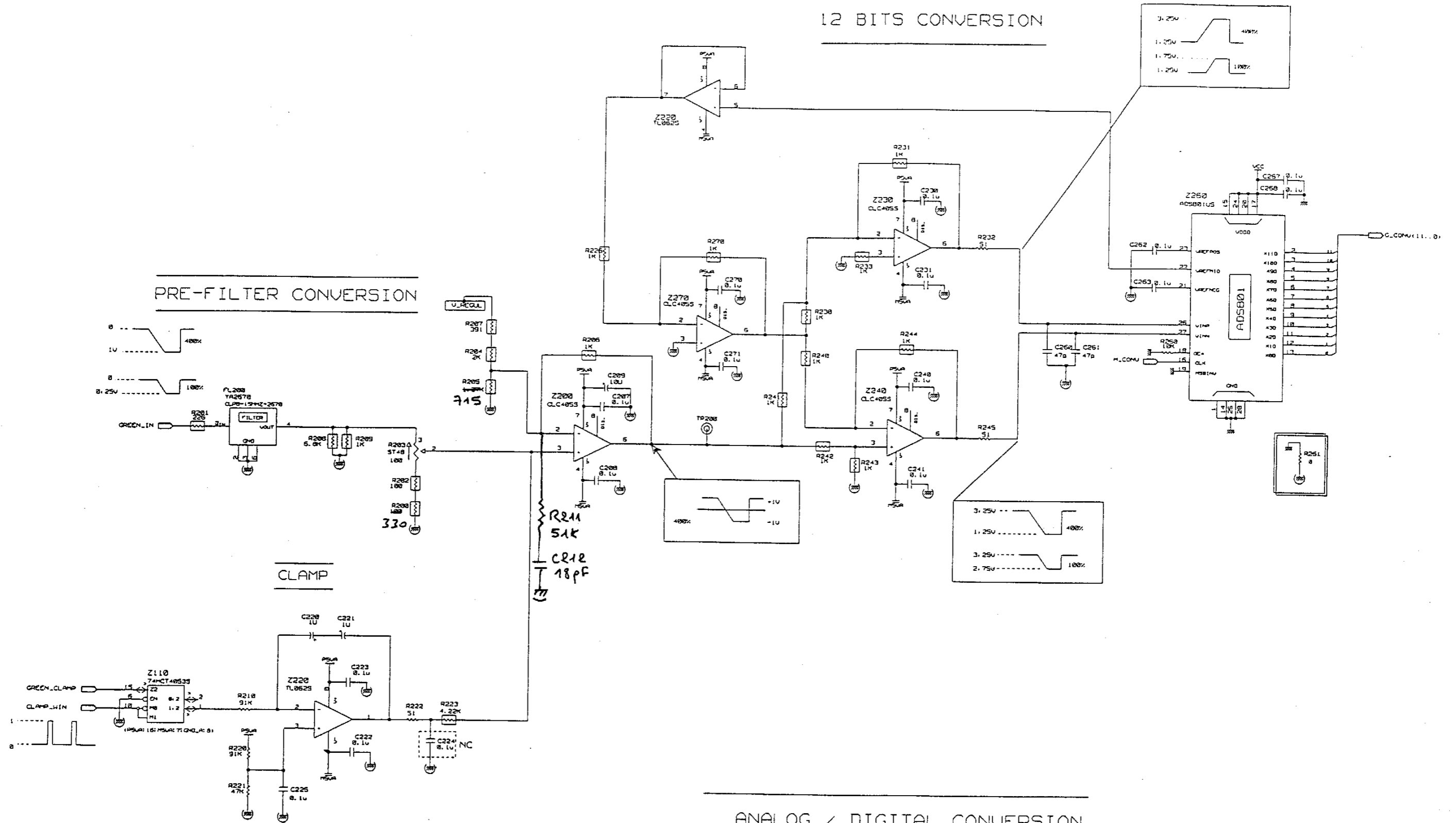
ANALOG / DIGITAL CONVERSION CHANNEL RED

CAMERA				
SD64D 1/3	DIGITAL PROCESS 1 DAUGHTER			
THOMSON	4A150615	030	01/03	

12 BITS CONVERSION

PRE-FILTER CONVERSION

CLAMP



ANALOG / DIGITAL CONVERSION
CHANNEL GREEN

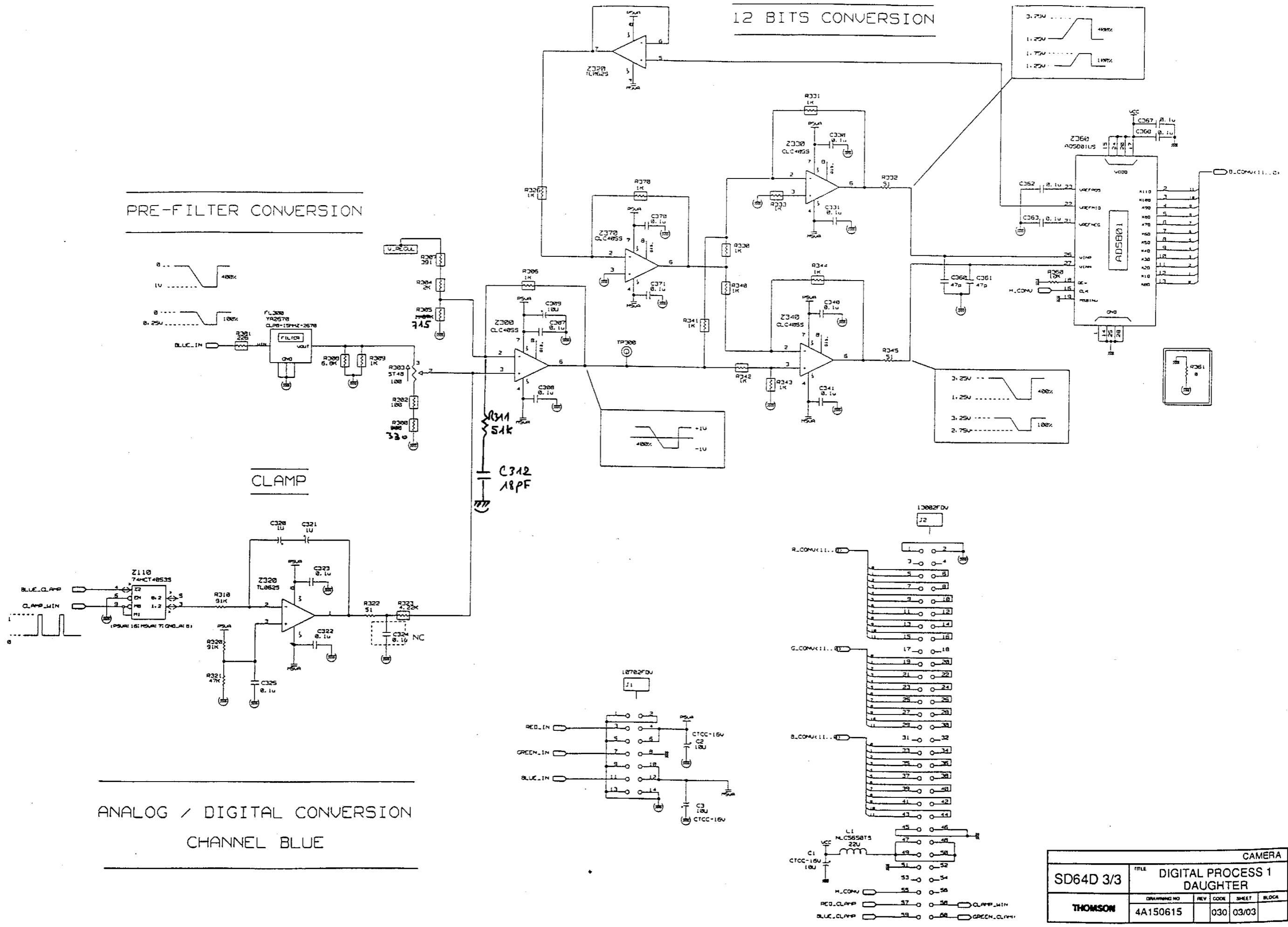
CAMERA				
SD64D 2/3	DIGITAL PROCESS 1 DAUGHTER			
THOMSON	DRAWING NO 4A150615	REV 030	SHEET 02/03	BLOCK

12 BITS CONVERSION

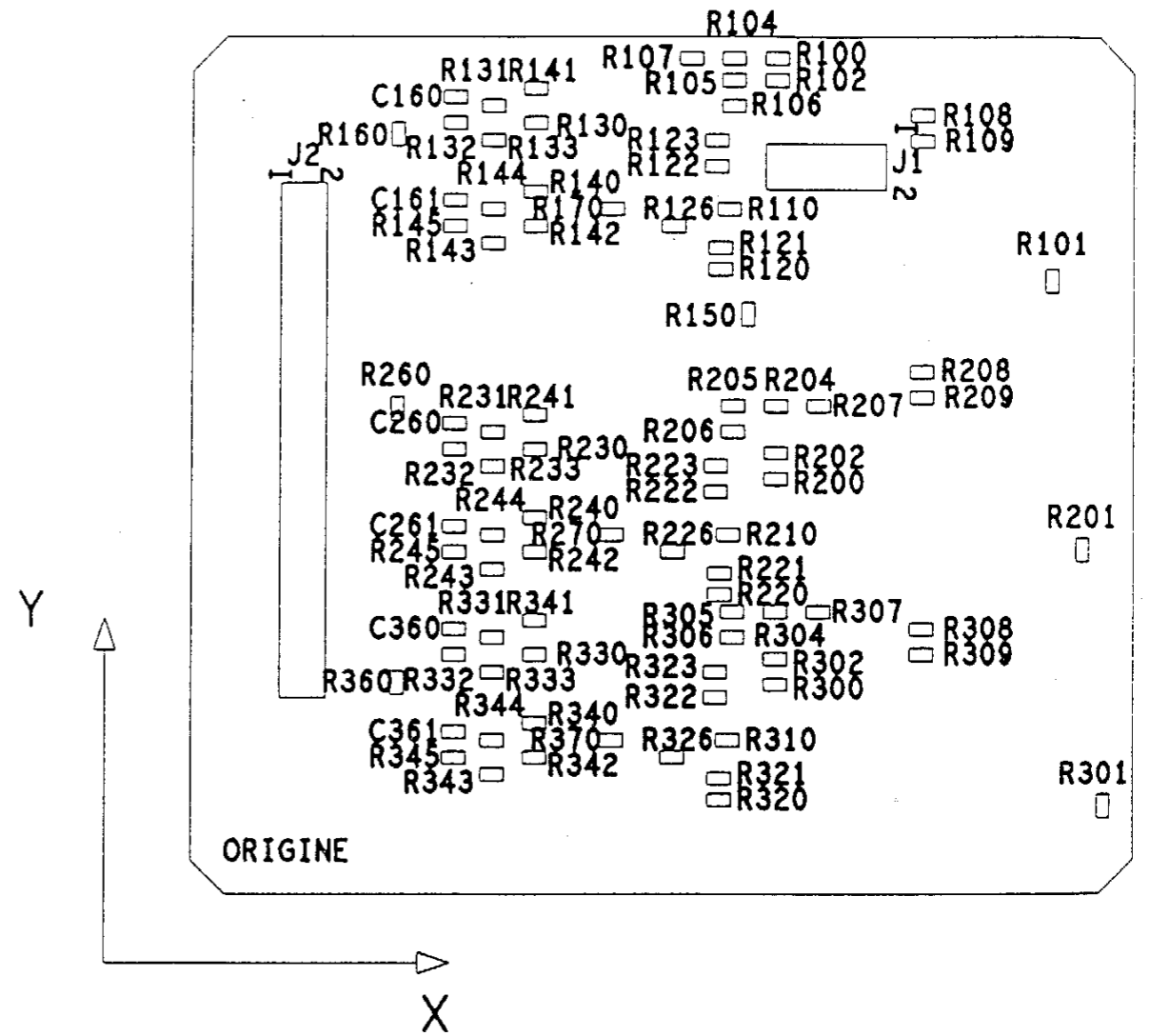
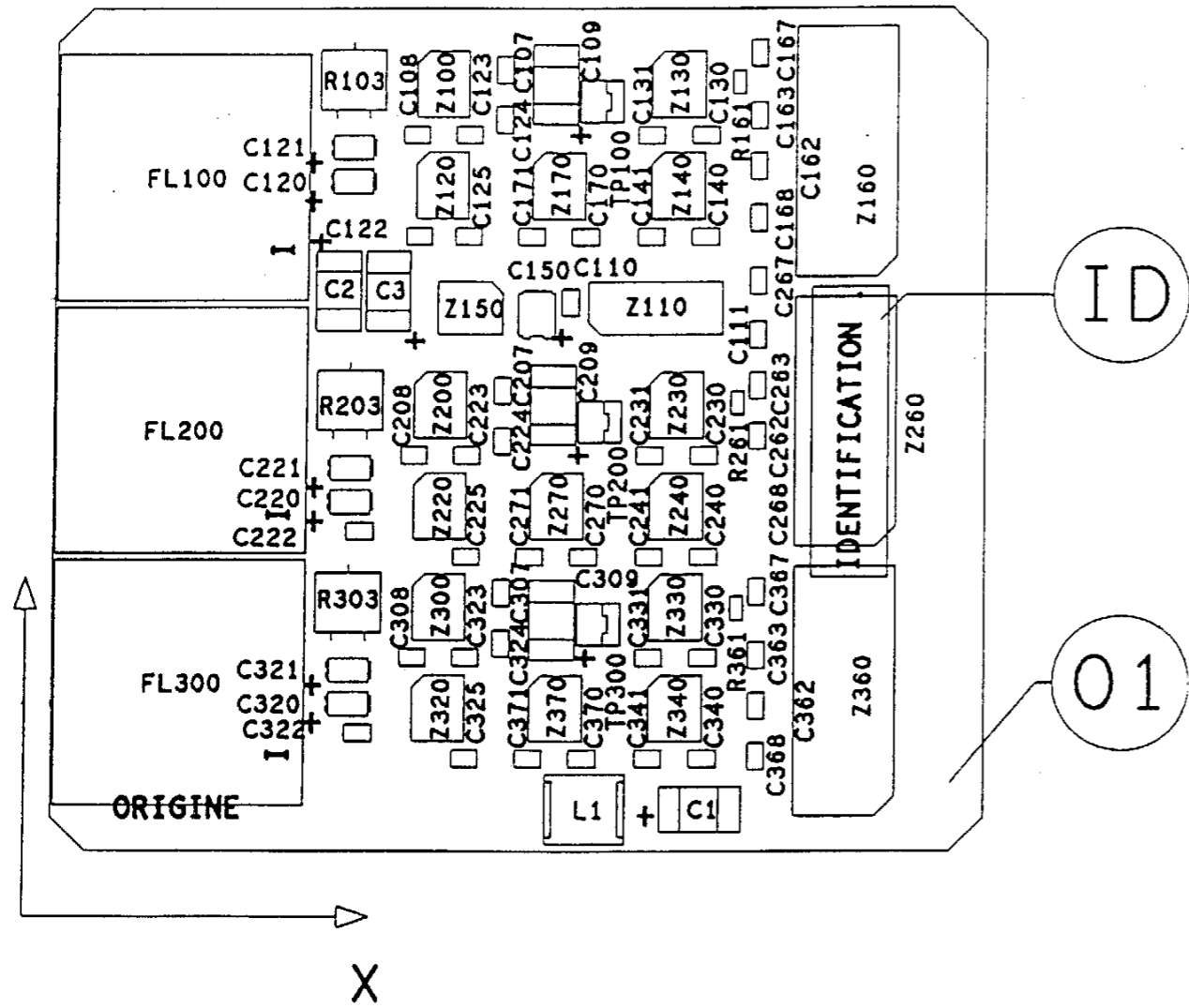
PRE-FILTER CONVERSION

CLAMP

ANALOG / DIGITAL CONVERSION
CHANNEL BLUE

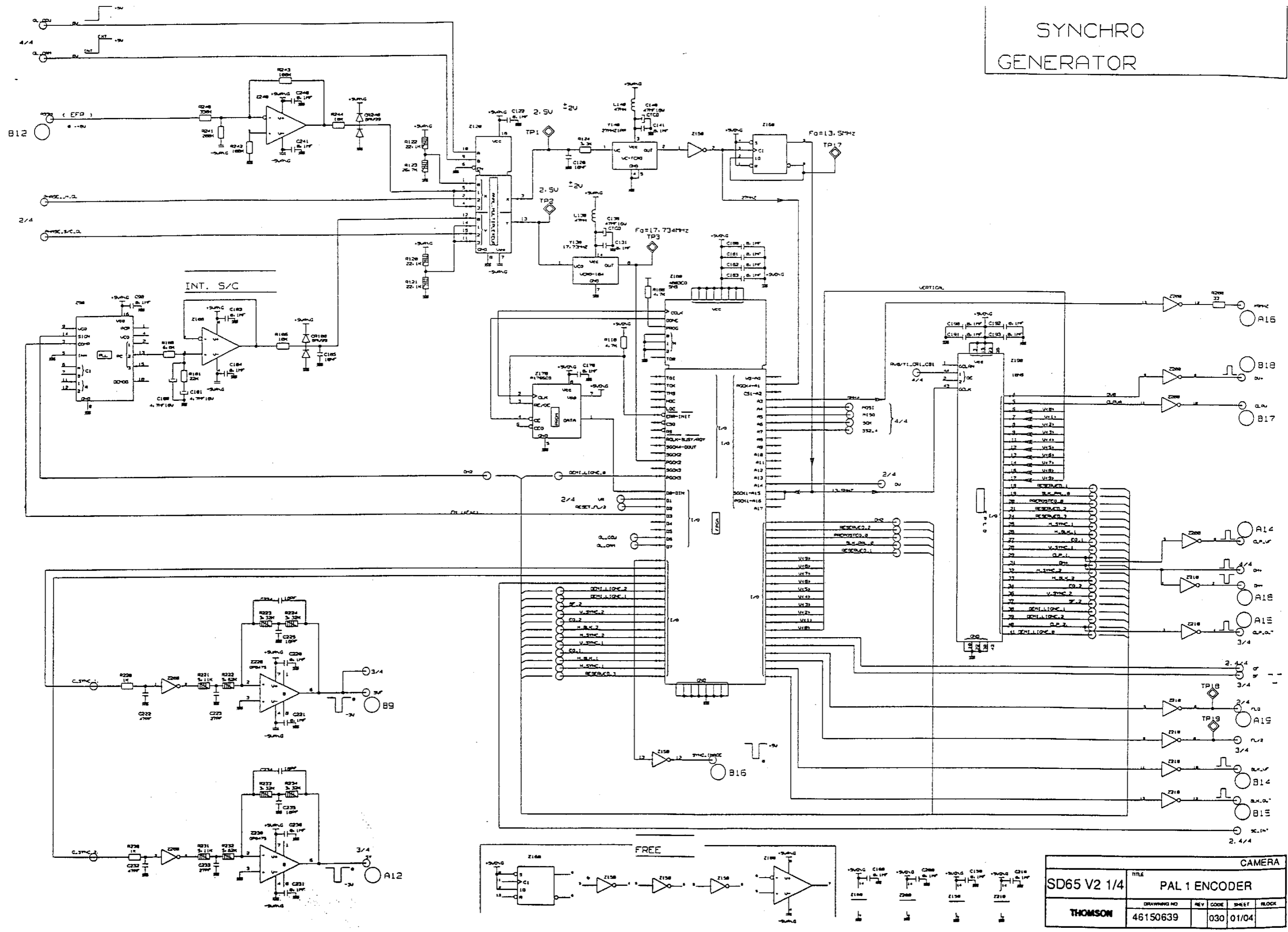


CAMERA				
SD64D 3/3	TITLE DIGITAL PROCESS 1 DAUGHTER			
THOMSON	DRAWING NO 4A150615	REV CODE 030	SHEET 03/03	BLOCK



CAMERA				
LD64D 1/1	TITLE DIGITAL PROCESS 1 DAUGHTER			
THOMSON	DRAWING NO 4A150615	REV CODE 046	SHEET 01/01	BLOCK

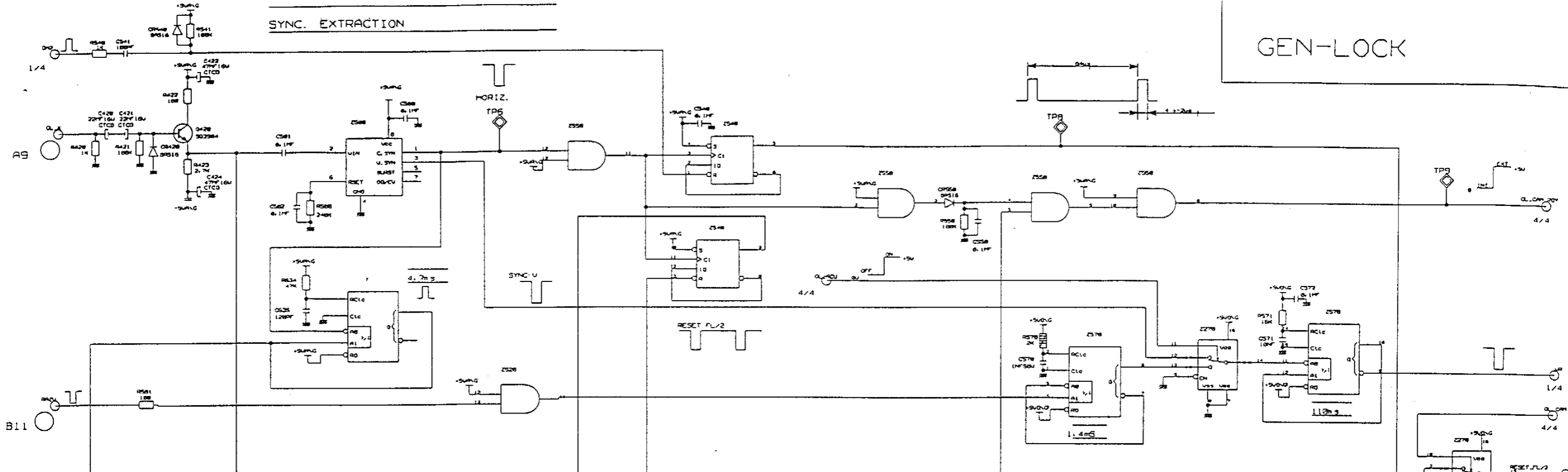
SYNCHRO GENERATOR



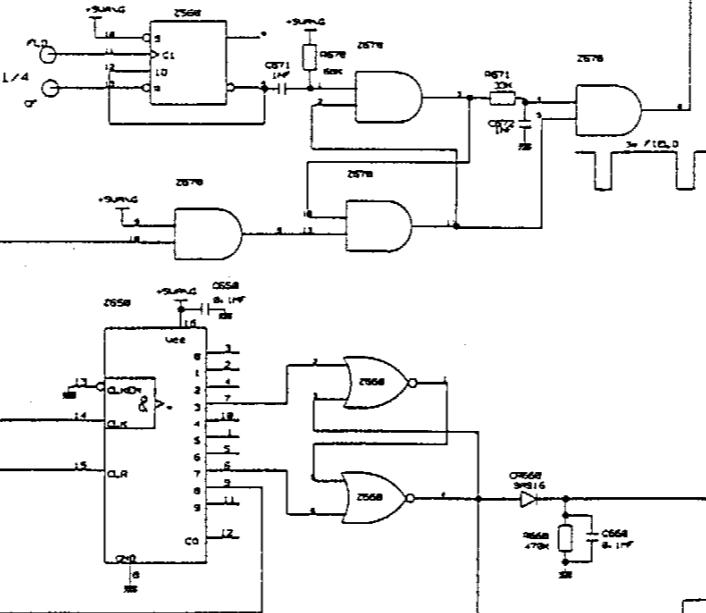
CAMERA	
SD65 V2 1/4	TITLE PAL 1 ENCODER
THOMSON	DRAWING NO 46150639
	REV 030
	CODE 01/04
	SHEET 1
	BLOCK 1

GEN-LOCK

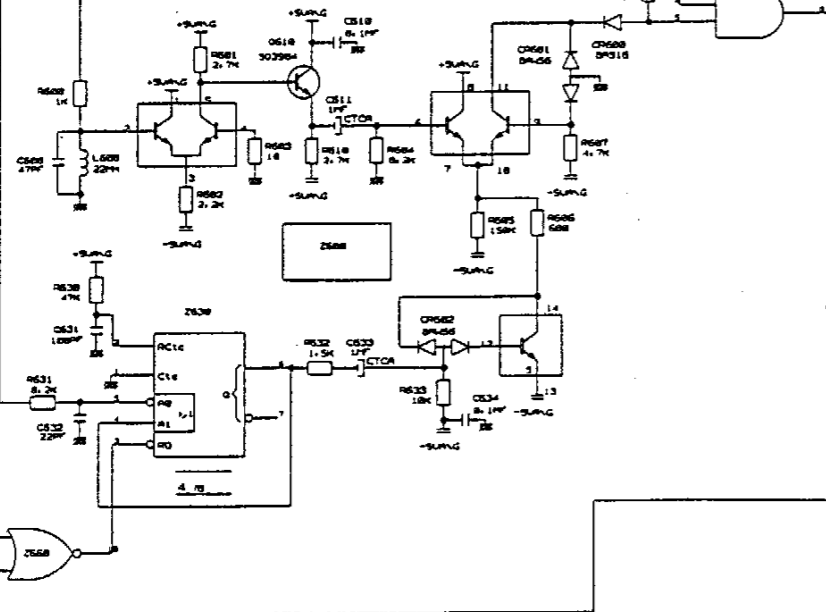
SYNC. EXTRACTION



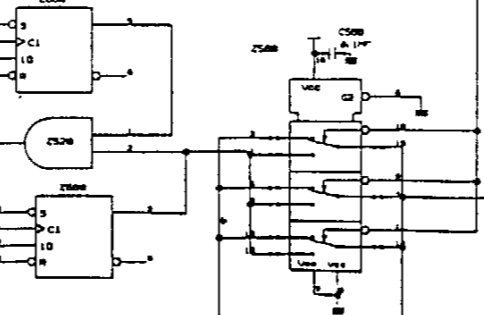
3e FIELD EXTRACTION



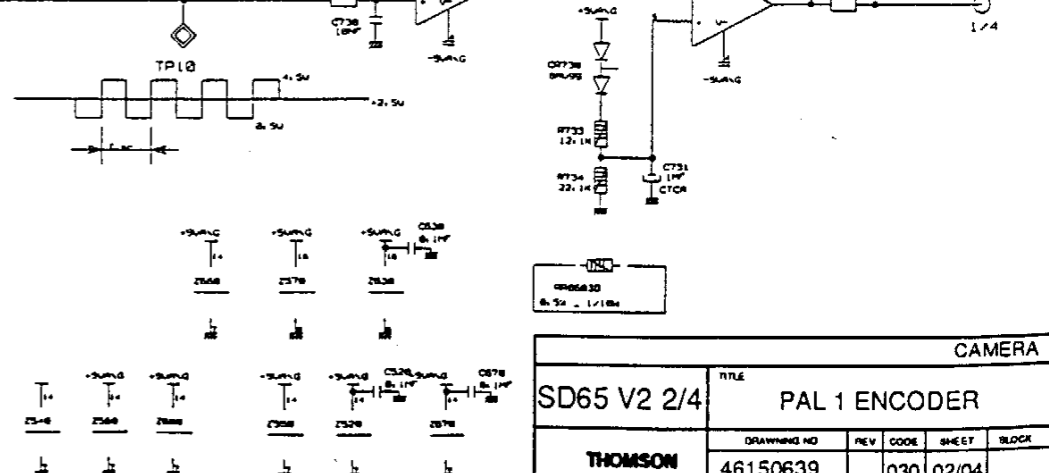
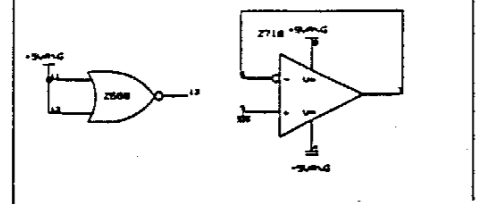
SC. EXTRACTION



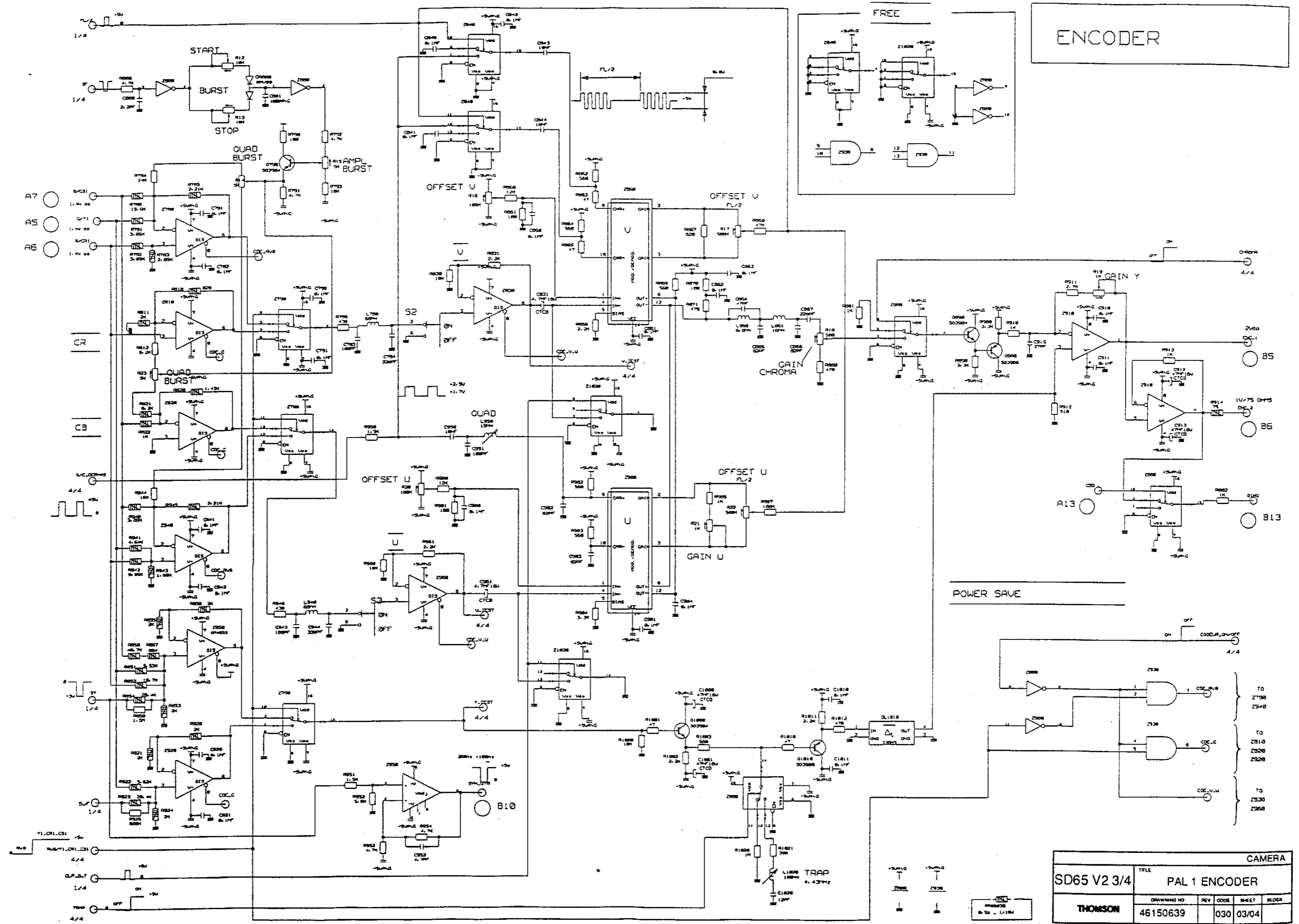
SC. PHASE COMPARATOR



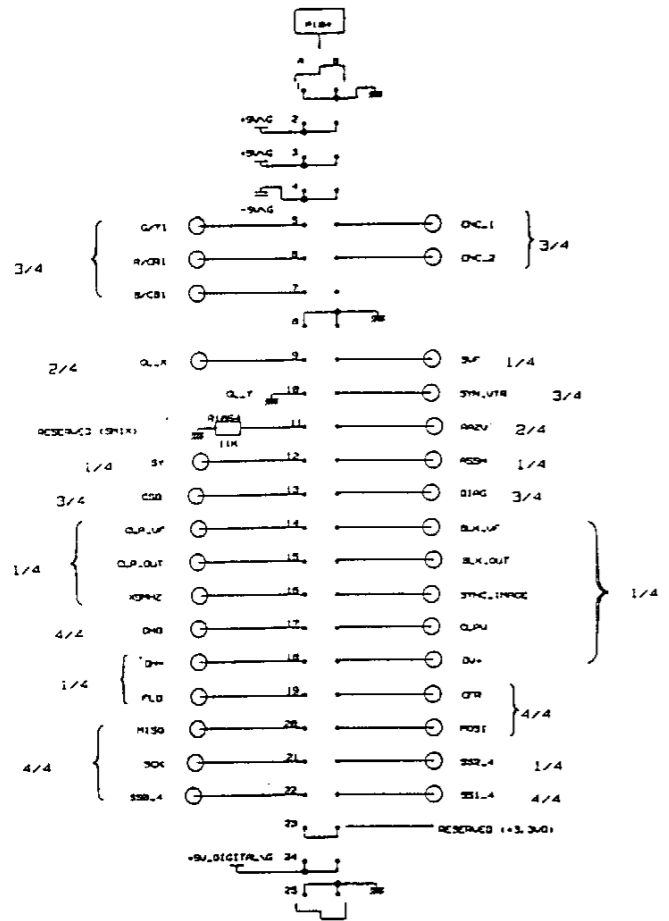
FREE



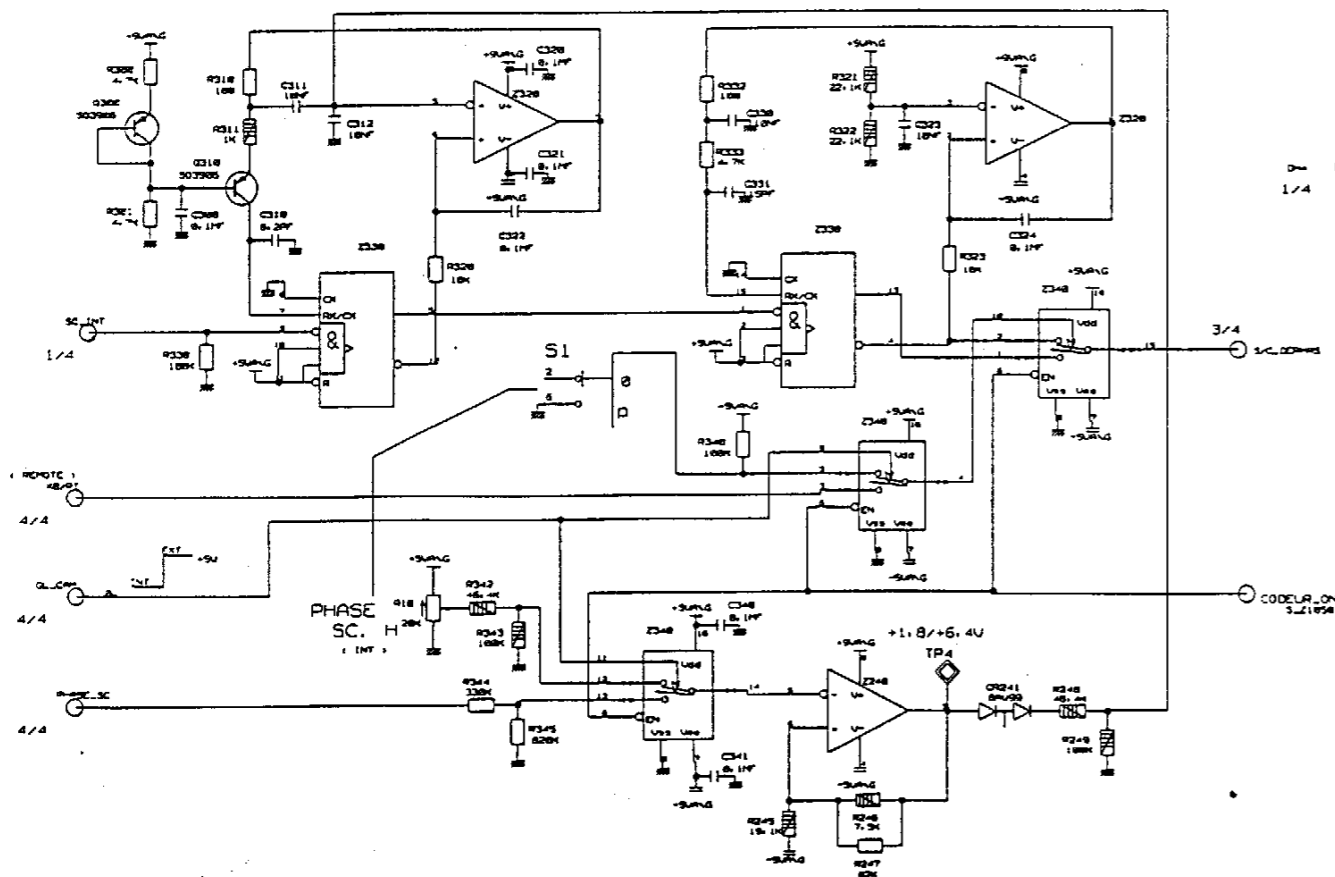
CAMERA				
SD65 V2 2/4	TITLE	PAL 1 ENCODER		
THOMSON	DRAWING NO	REV	CODE	SHEET
	46150639	030	02/04	BLOCK



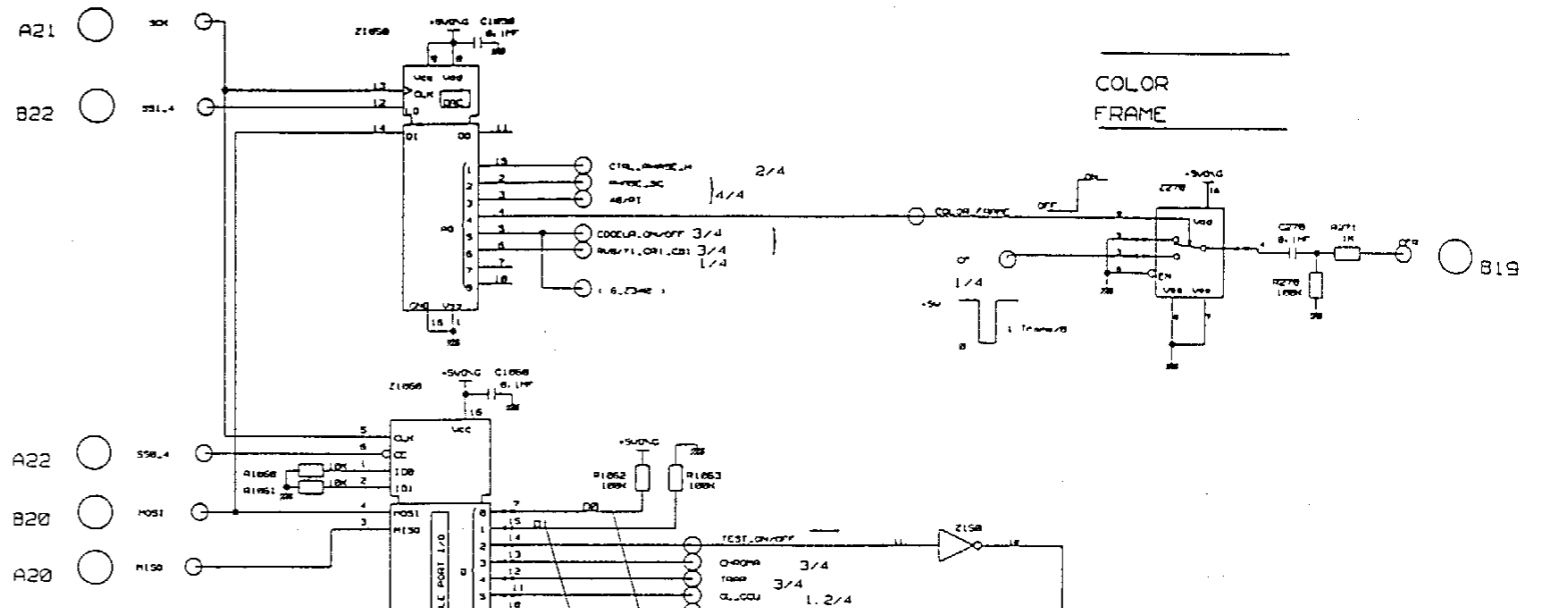
CAMERA				
SD65 V2 3/4	TITLE	PAL 1 ENCODER		
THOMSON	DRAWING NO	REV	COOK	SHEET
	46150639	030	03/04	BLOCK



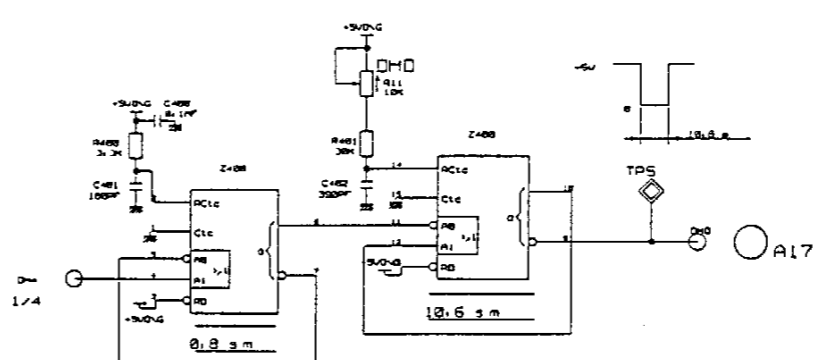
S/C DEPHASING



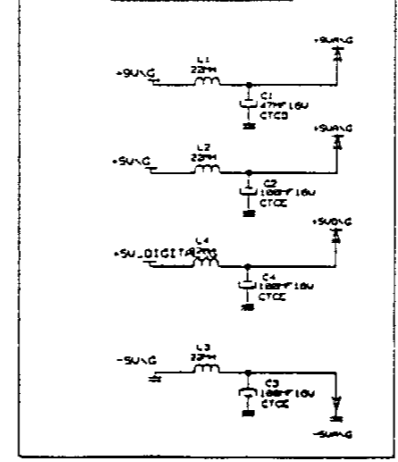
D/A CONVERT



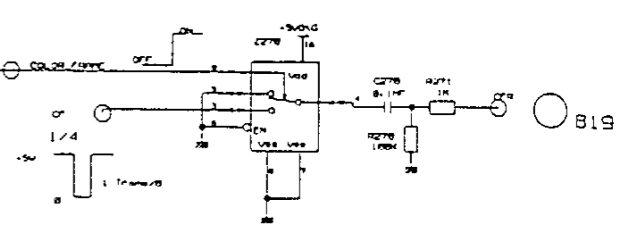
D/D



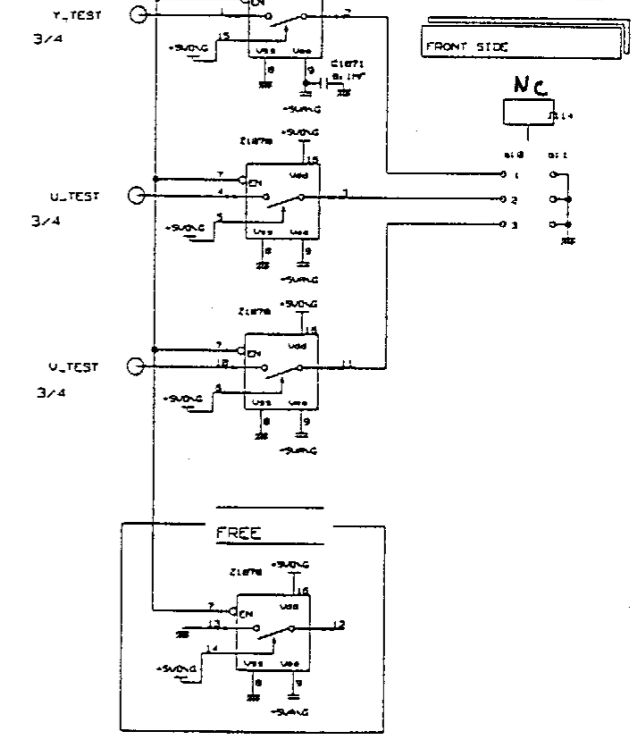
POWER



COLOR FRAME



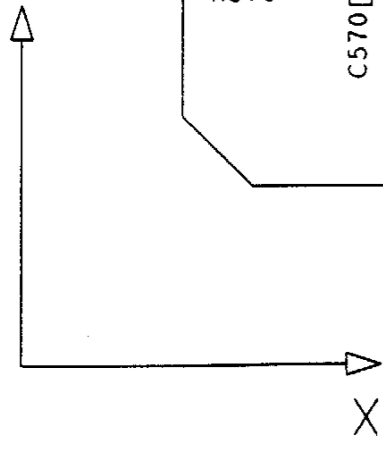
TEST



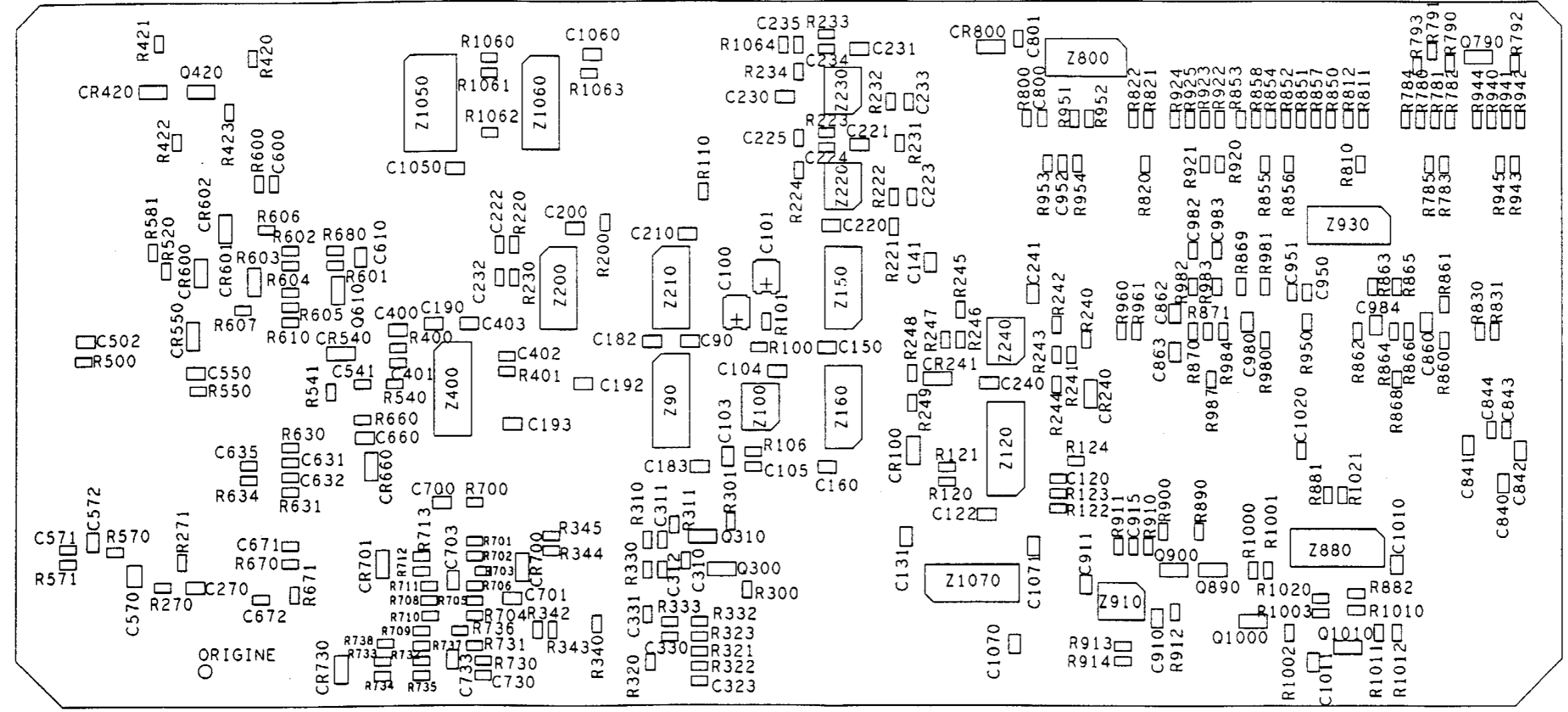
CAMERA					
SD65 V2 4/4	TITLE	PAL 1 ENCODER			
THOMSON	DRAWING NO	REV	CODE	SHEET	BLOCK
	46150639	030	04/04		

THOMSON
REV. 1/1984

Y



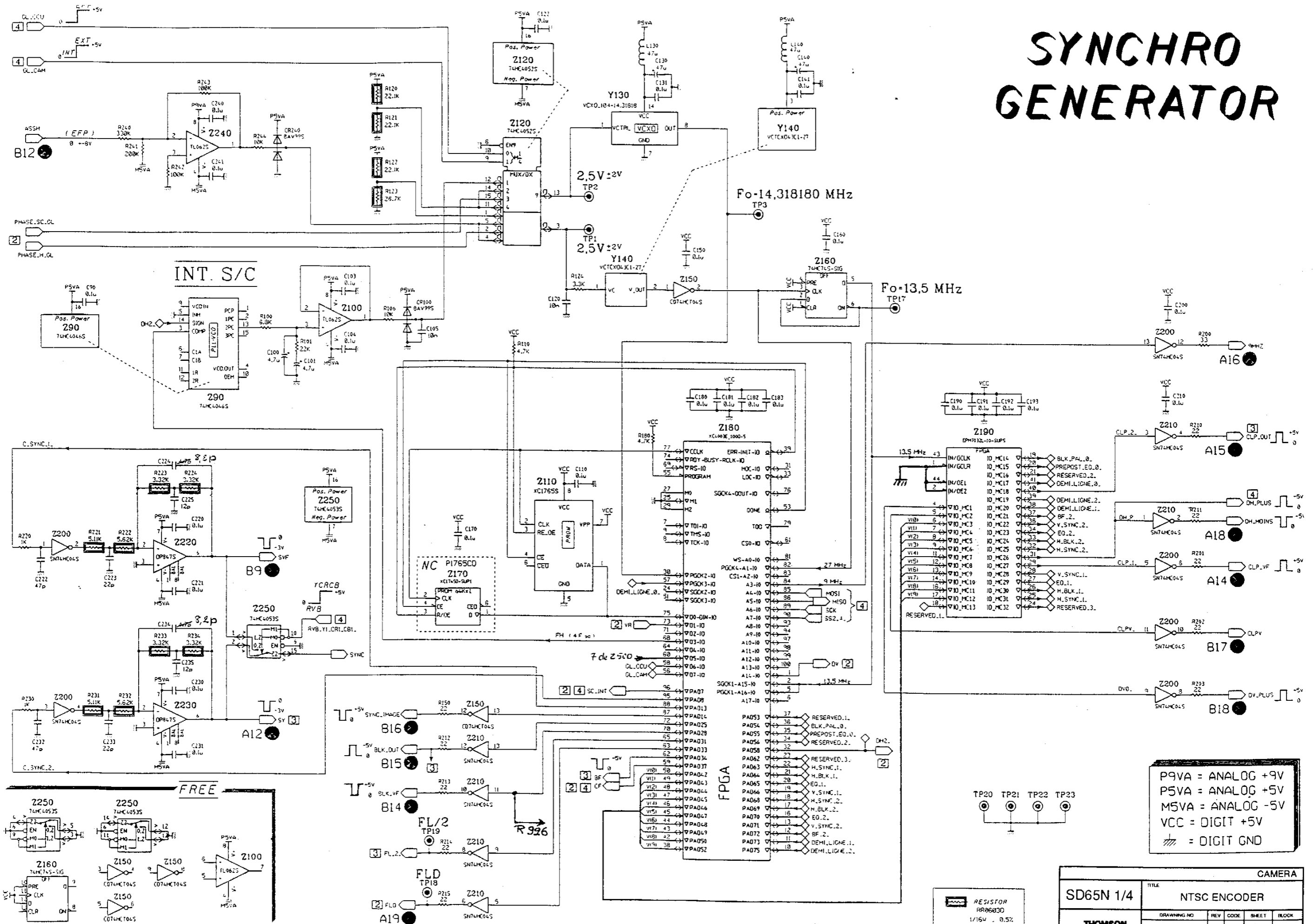
BAS



HAUT

CAMERA				
LD65 V2 2/2	TITLE PAL 1 ENCODER			
THOMSON	DRAWING NO 46150639	REV 046	SHEET 02/02	BLOCK

SYNCHRO GENERATOR

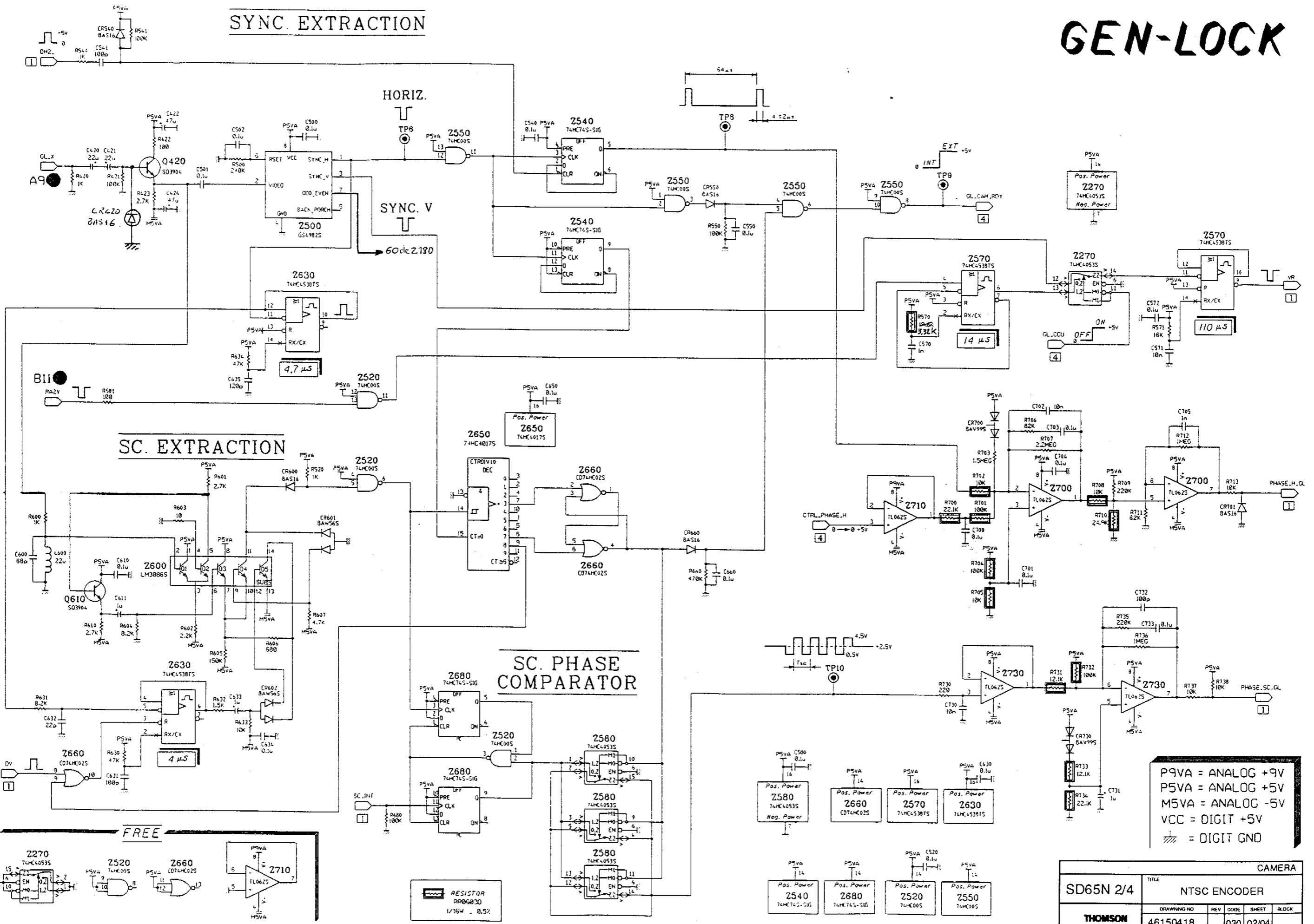


P9VA = ANALOG +9V
 P5VA = ANALOG +5V
 M5VA = ANALOG -5V
 VCC = DIGIT +5V
 [Symbol] = DIGIT GND

CAMERA	
SD65N 1/4	TITLE NTSC ENCODER
THOMSON	DRAWING NO 46150418
	REV CODE 030
	SHEET 01/04
	BLOCK

GEN-LOCK

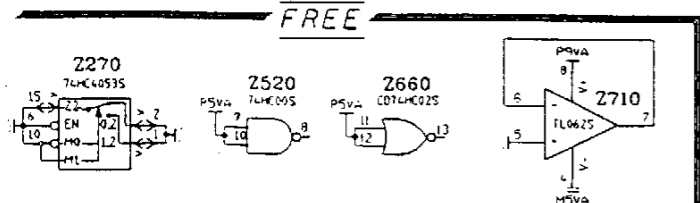
SYNC. EXTRACTION



SC. EXTRACTION

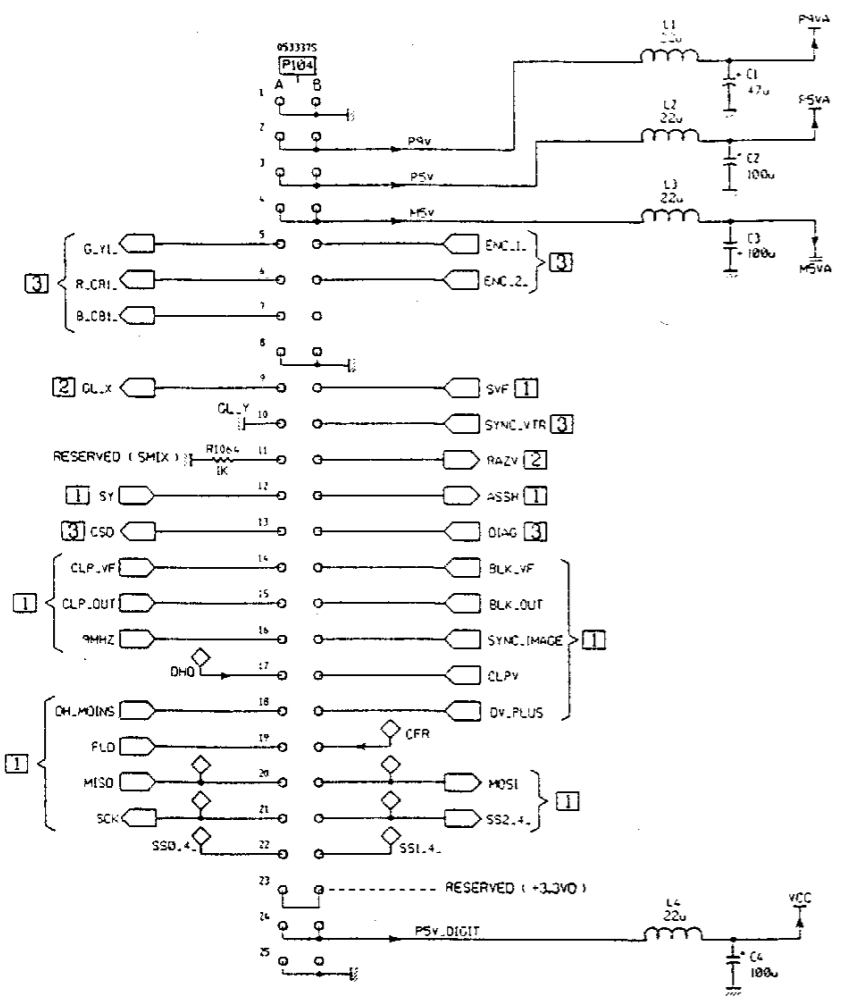
SC. PHASE COMPARATOR

PSVA = ANALOG +9V
 PSVA = ANALOG +5V
 MSVA = ANALOG -5V
 VCC = DIGIT +5V
 = DIGIT GND

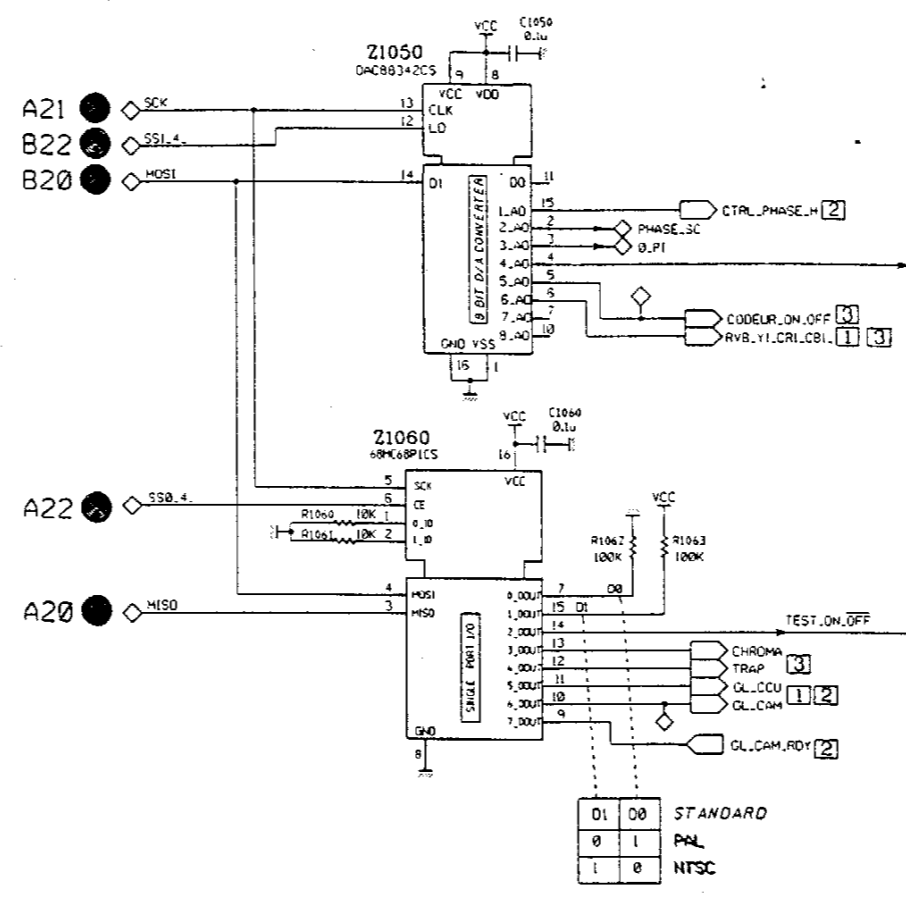


RESISTOR PROGRAM
 1/16W - 0.5%

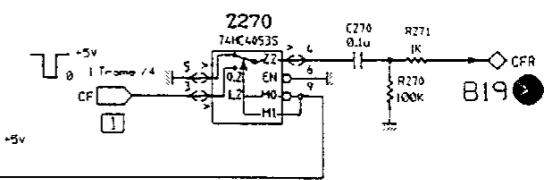
CAMERA	
SD65N 2/4	TITLE NTSC ENCODER
THOMSON	DRAWING NO 46150418
	REV CODE 030
	SHEET 02/04
	BLOCK



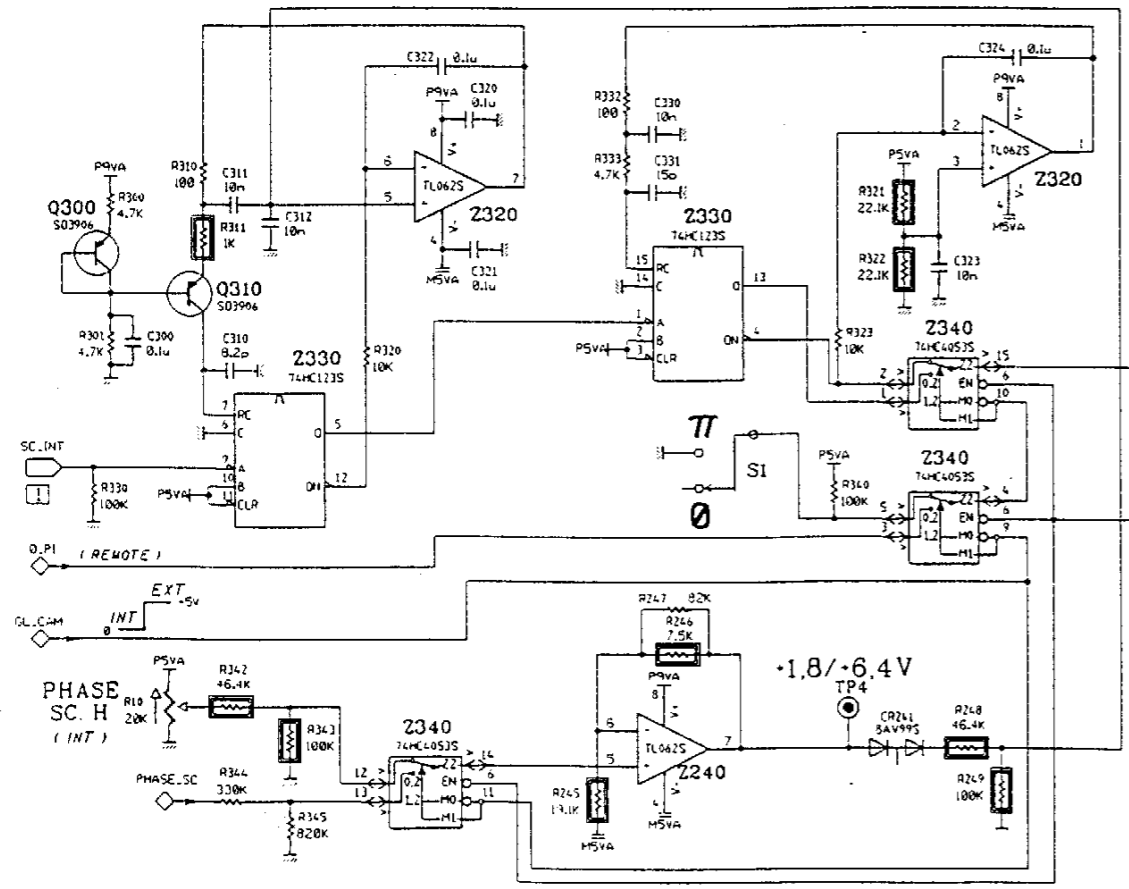
D/A CONVERT



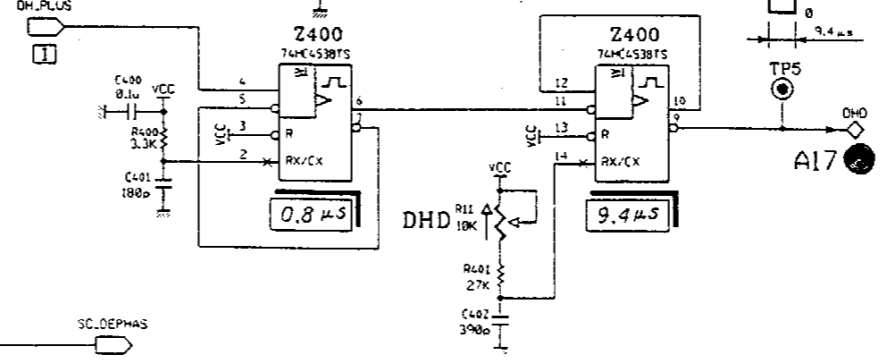
COLOR FRAME



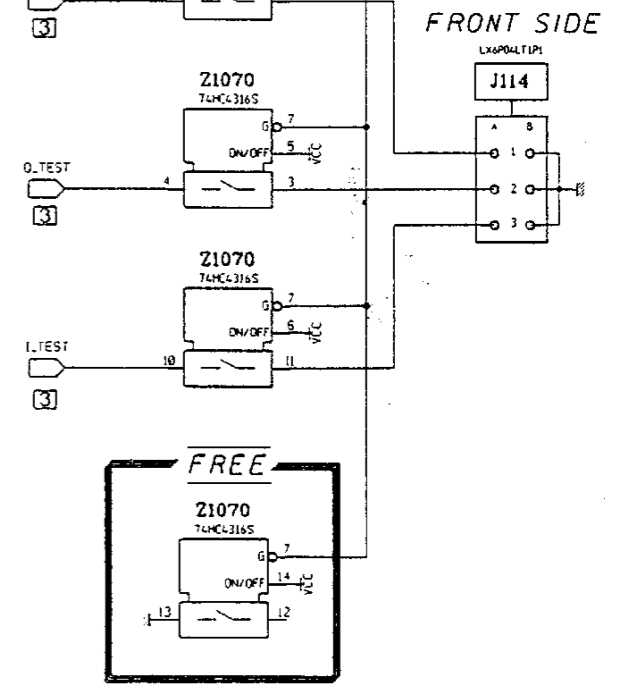
S/C DEPHASING



DHD



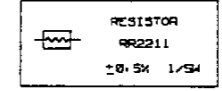
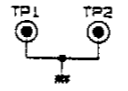
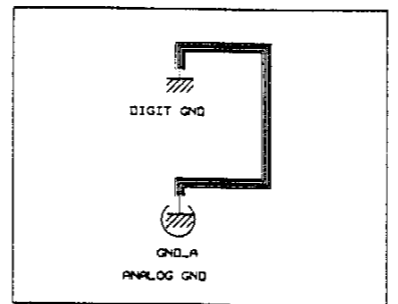
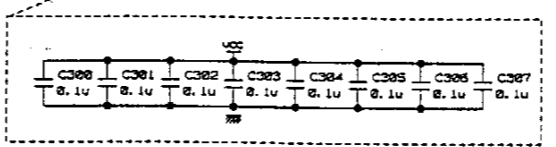
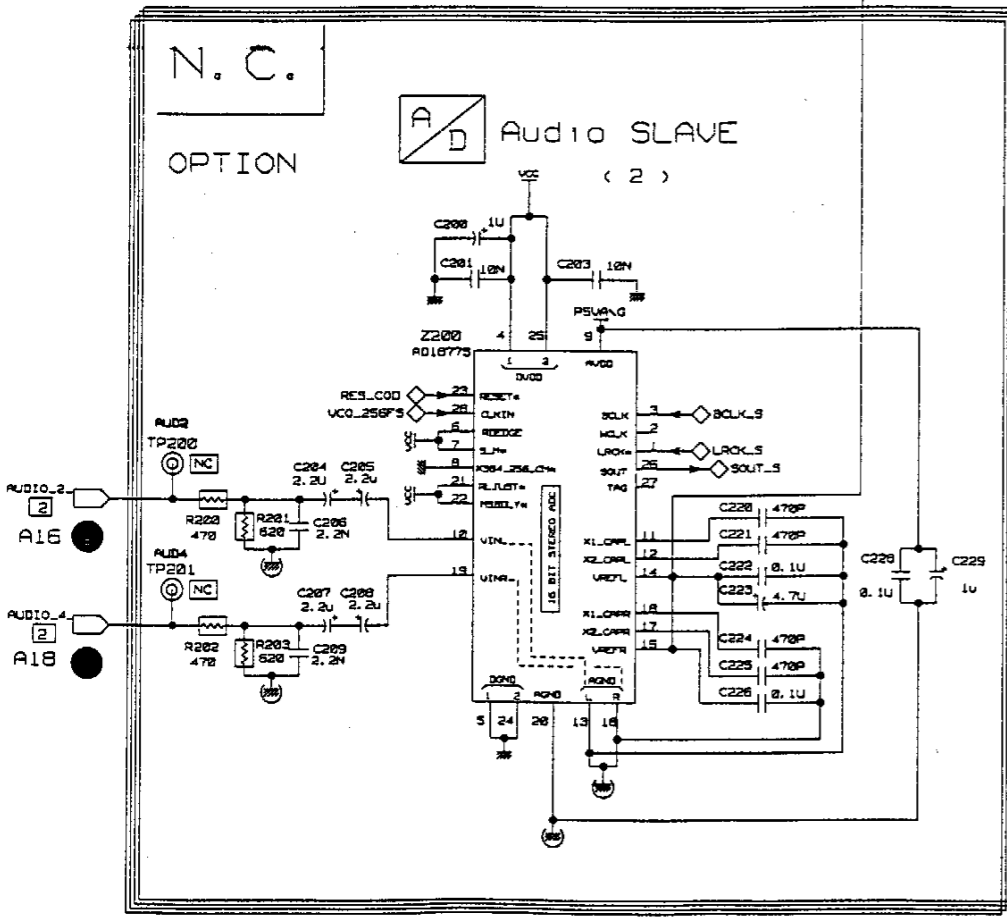
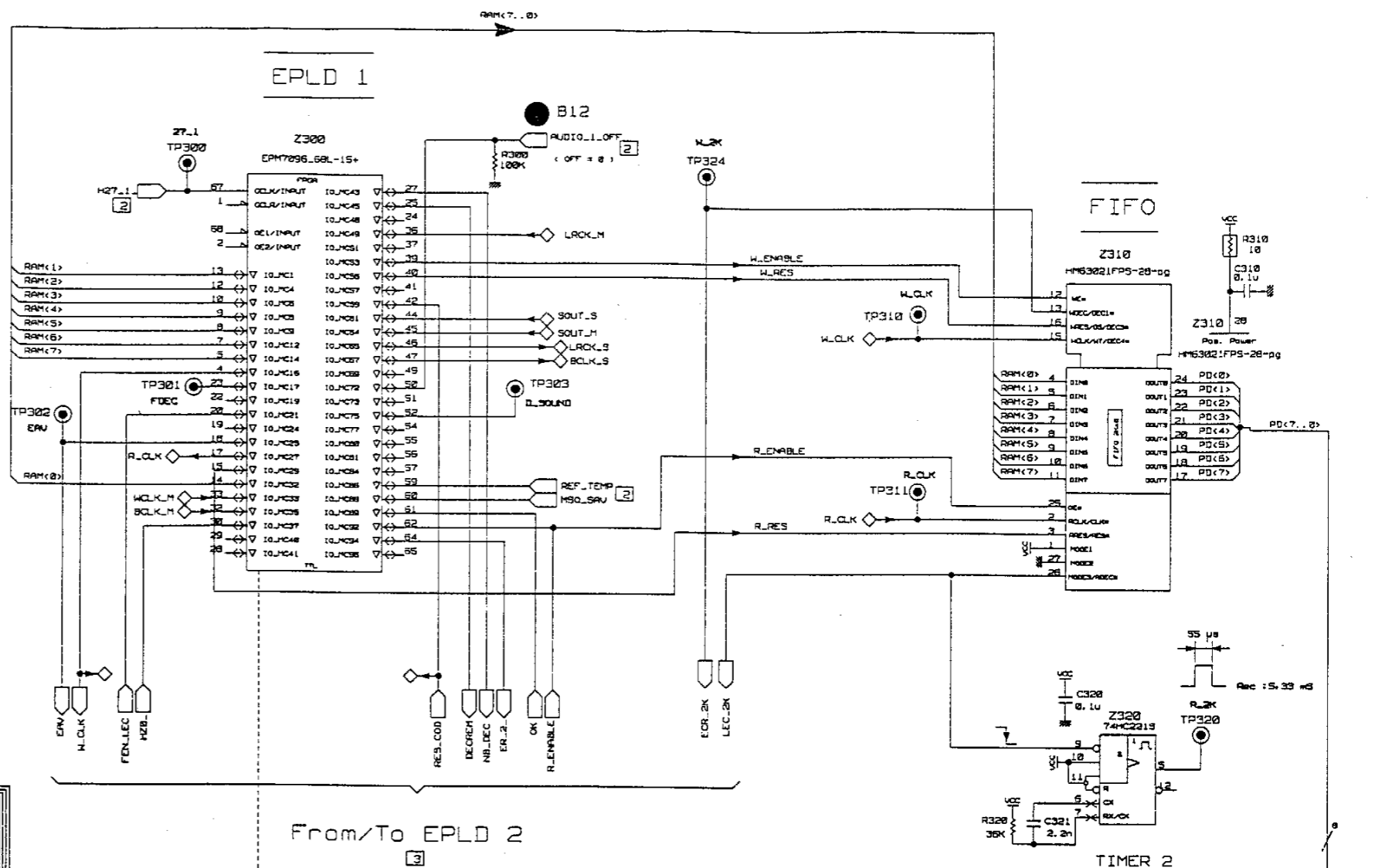
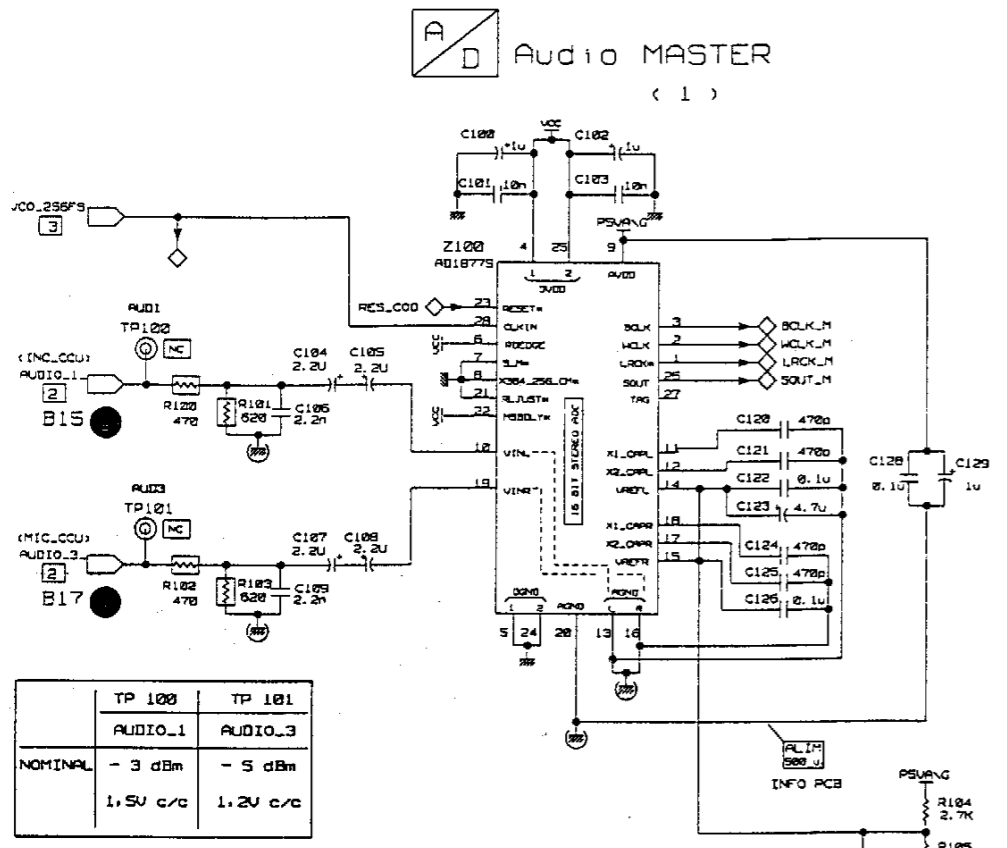
TEST



P9VA = ANALOG +9V
 P5VA = ANALOG +5V
 M5VA = ANALOG -5V
 VCC = DIGIT +5V
 / = DIGIT GND

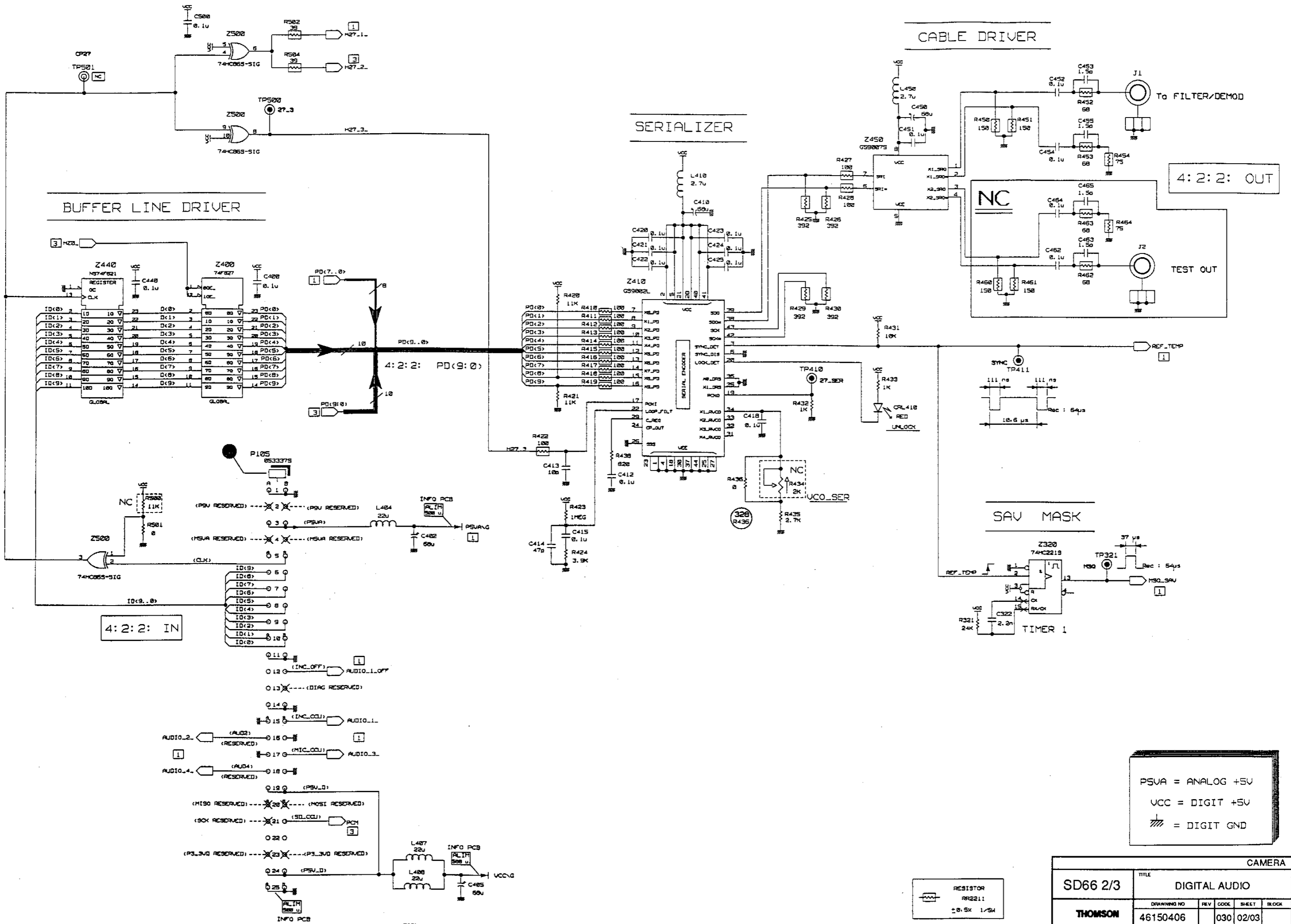
RESISTOR
 RR0603D
 1/16W - 0.5%

CAMERA	
SD65N 4/4	TITLE NTSC ENCODER
THOMSON	DRAWING NO 46150418
	REV CODE SHEET BLOCK 030 04/04



PSUA = ANALOG +5V
 VCC = DIGIT +5V
 = DIGIT GND
 = ANALOG GND

CAMERA	
SD66 1/3	TITLE DIGITAL AUDIO
THOMSON	DRAWING NO 46150406
REV CODE 030	SHEET BLOCK 01/03



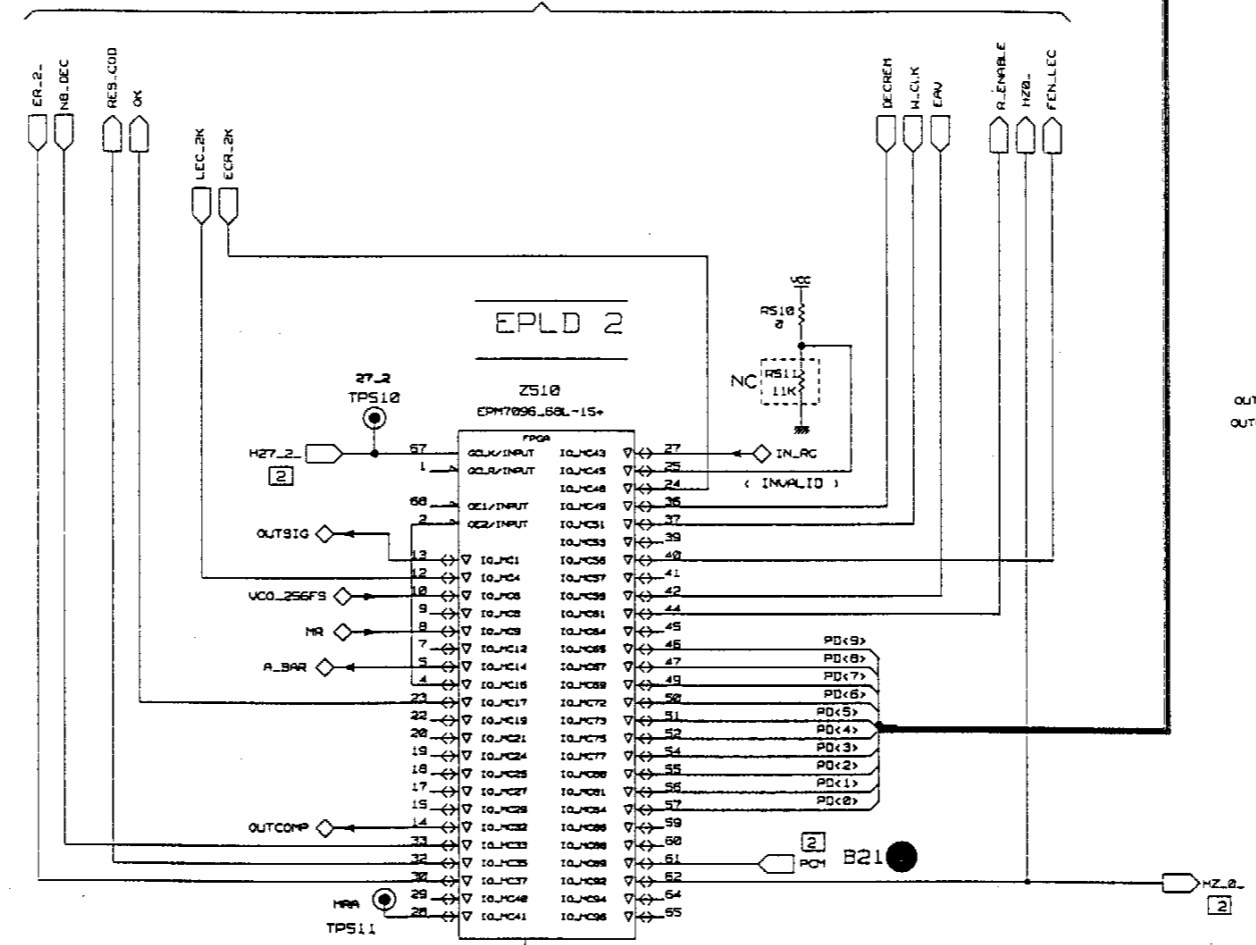
PSUA = ANALOG +5V
 VCC = DIGIT +5V
 [Hatched Symbol] = DIGIT GND

CAMERA	
SD66 2/3	TITLE DIGITAL AUDIO
THOMSON	DRAWING NO 46150406
	REV CODE SHEET BLOCK 030 02/03

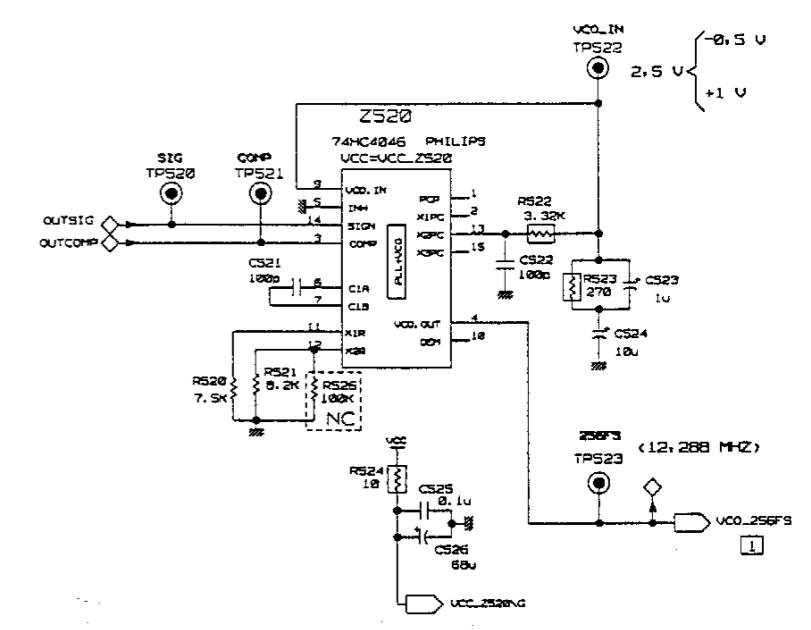
RESISTOR
 R42211
 ±0.5% 1/5W

4: 2: 2: PD<9: 0>

From/To EPLD 1

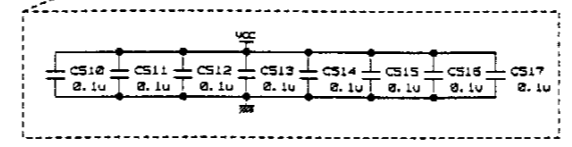
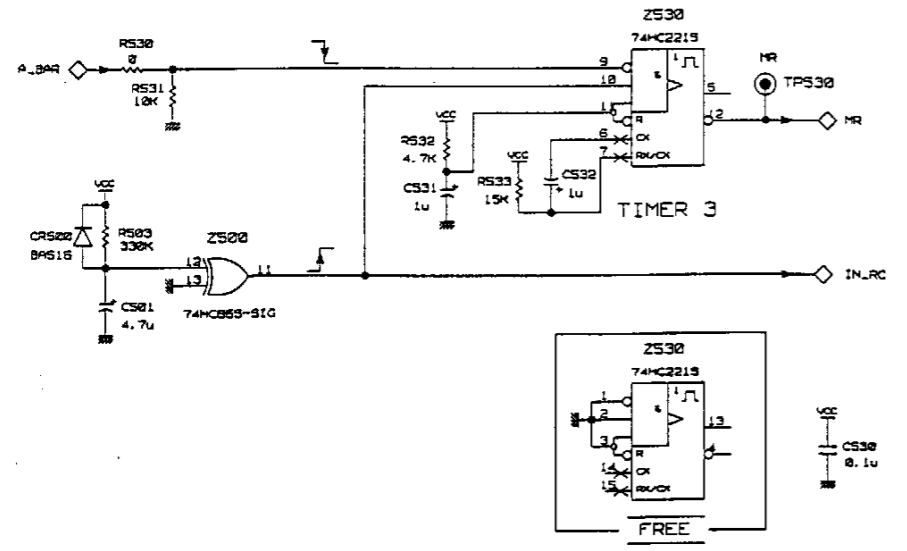


SYNTHESIZER 256 Fs



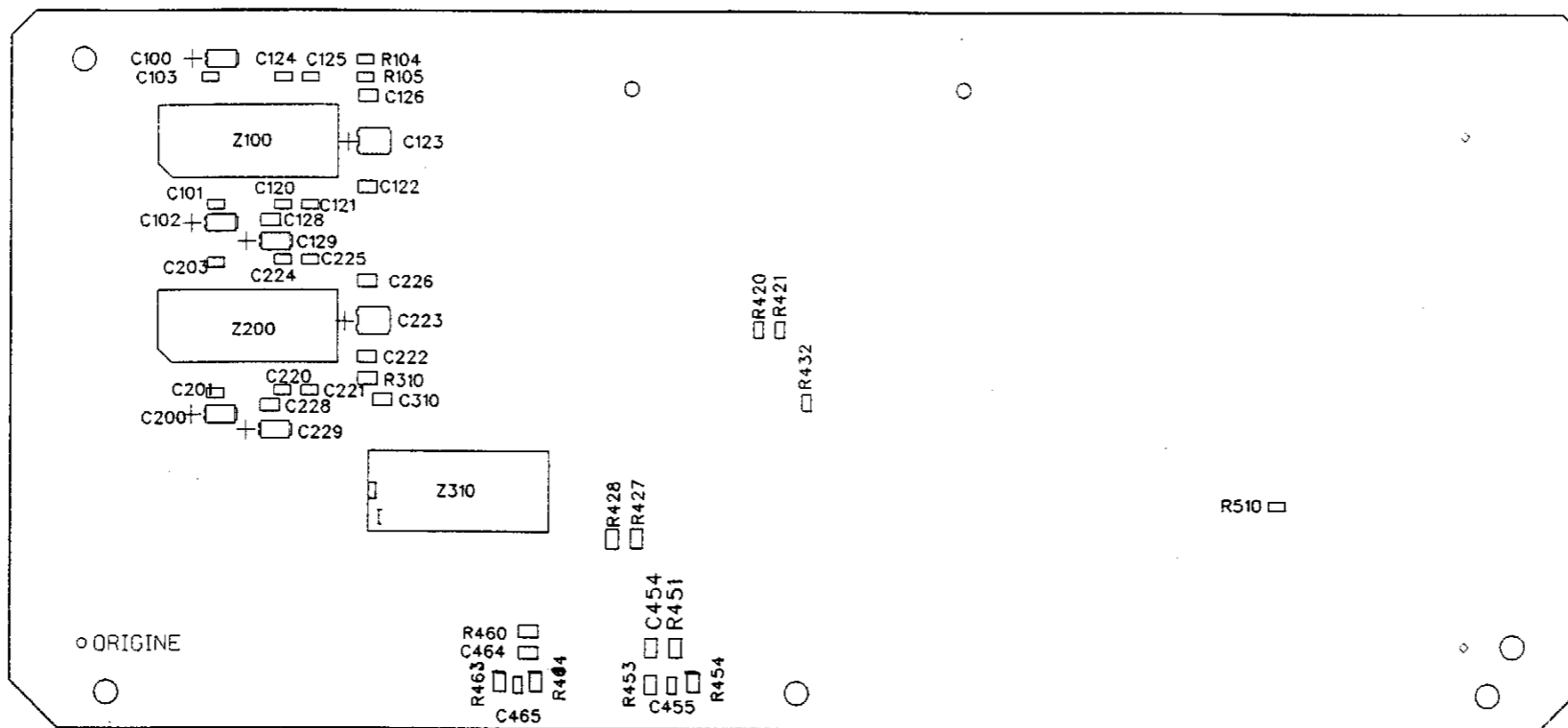
RESET

DETECTION ERREUR DECALAGE ECR/LEC - FIFO



UCC = DIGIT +5V
 GND = DIGIT GND

CAMERA				
SD66 3/3	TITLE DIGITAL AUDIO			
THOMSON	DRAWING NO 46150406	REV 030	CODE 03/03	BLOCK



CAMERA				
LD66 2/2	TITLE DIGITAL AUDIO			
THOMSON	DRAWING NO	REV	CODE	SHEET
	46150406	046	02/02	BLOCK

AMPLI. + 6dB

SD IN

(From SD OUT
DIGITAL AUDIO)

TRIAx IN/OUT

PRMT OUT

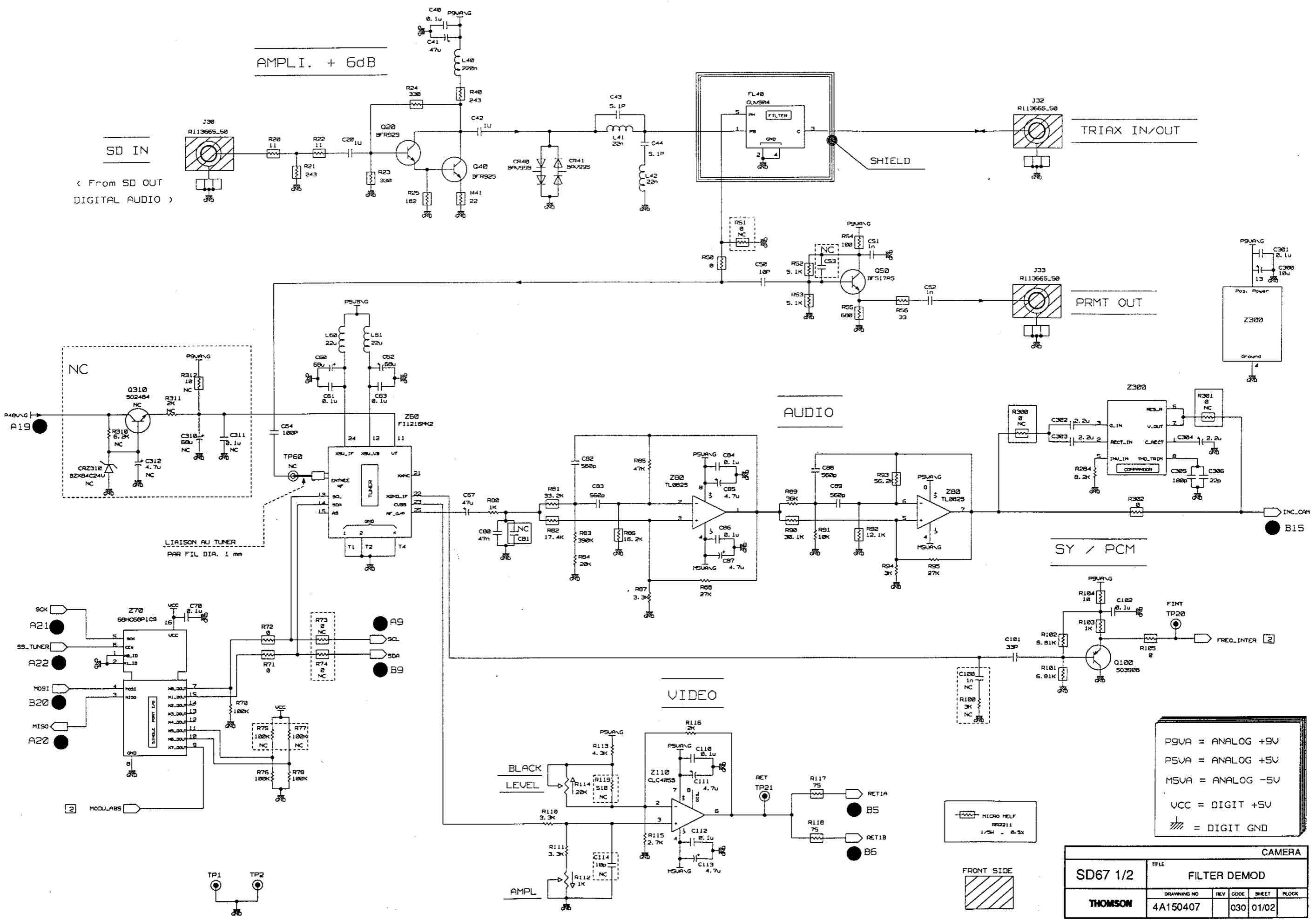
AUDIO

SY / PCM

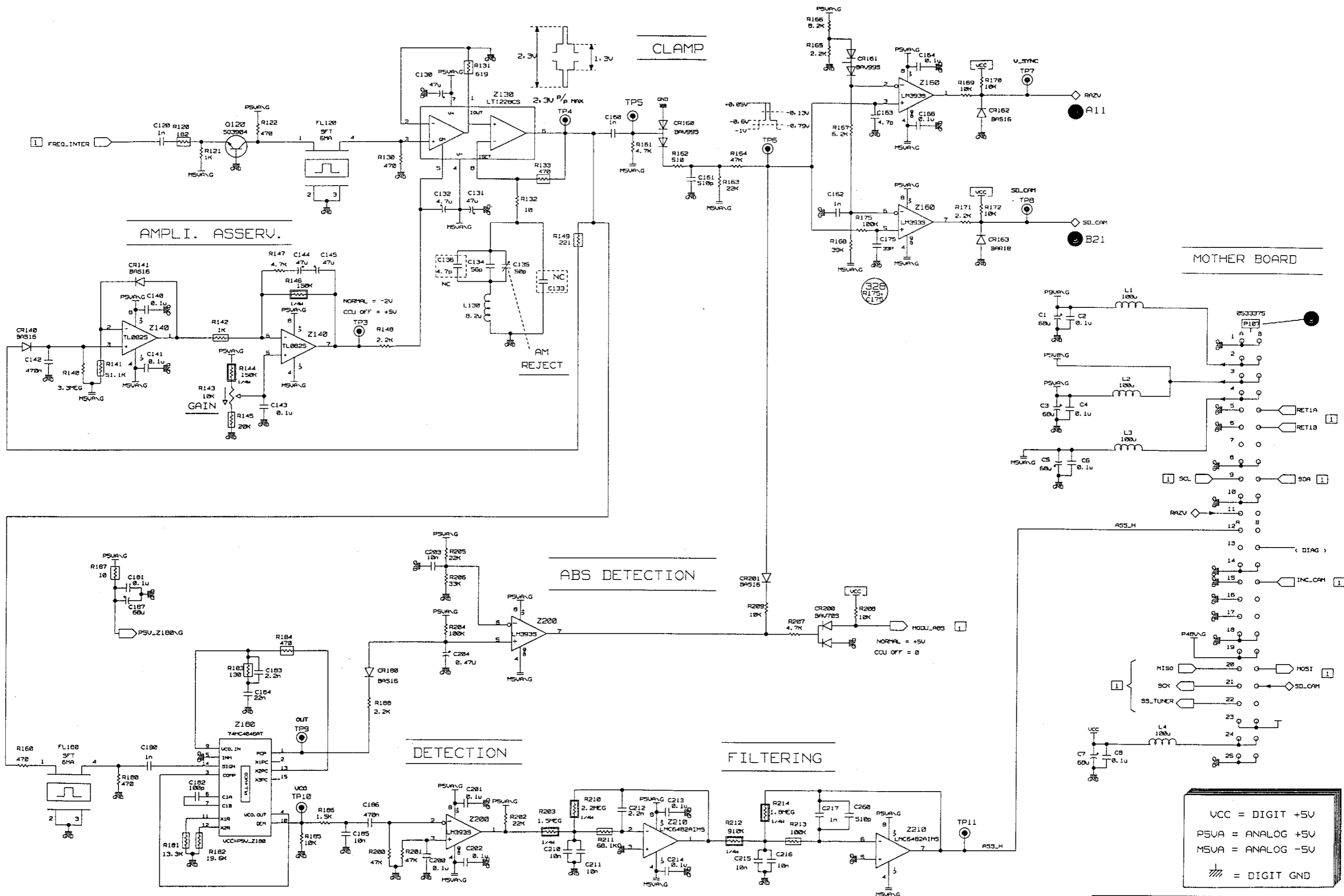
VIDEO

PSVA = ANALOG +9V
 PSVA = ANALOG +5V
 MSVA = ANALOG -5V
 VCC = DIGIT +5V
 // = DIGIT GND

CAMERA	
SD67 1/2	TITLE FILTER DEMOD
THOMSON	DRAWING NO 4A150407
	REV CODE SHEET BLOCK 030 01/02



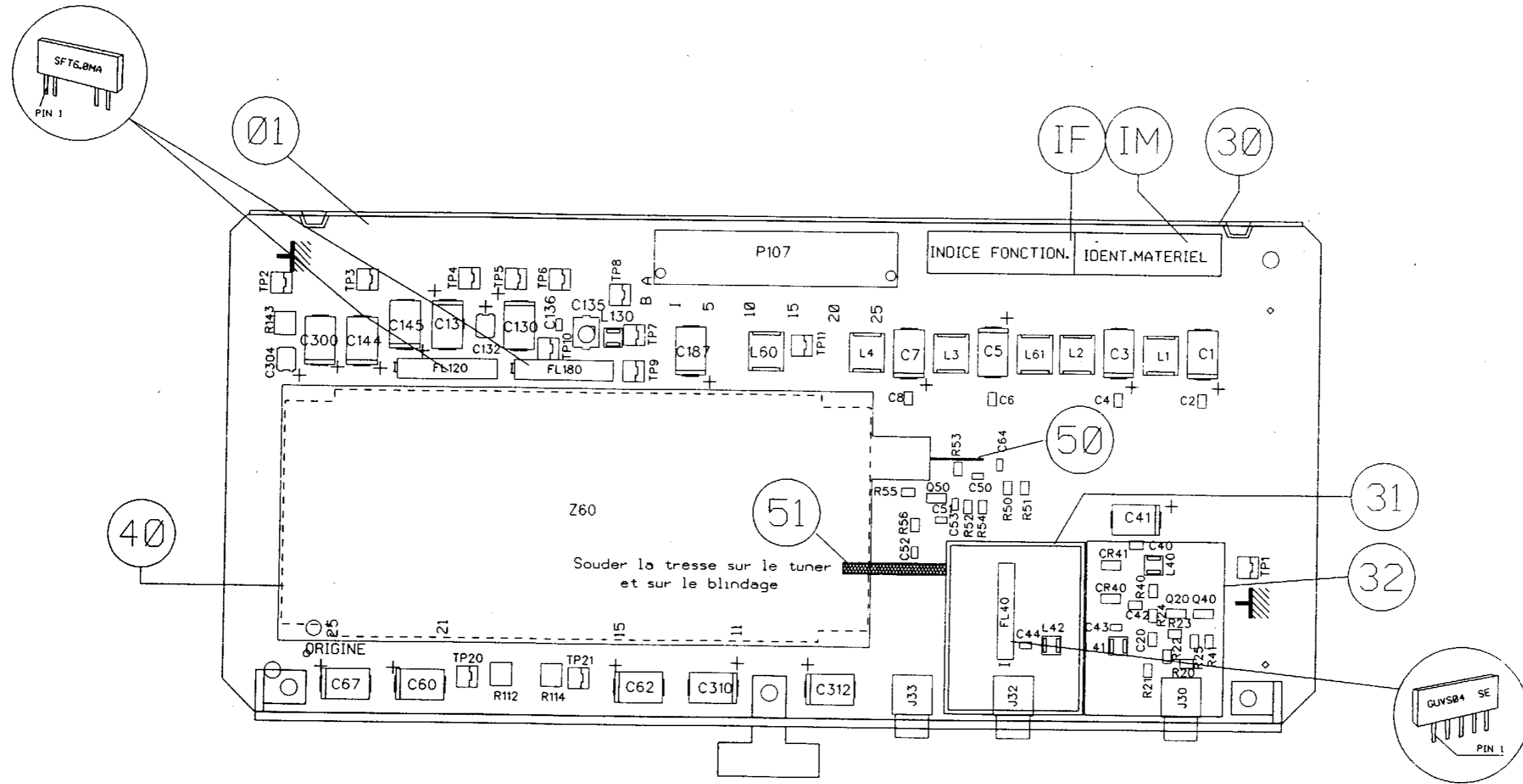
FRONT SIDE



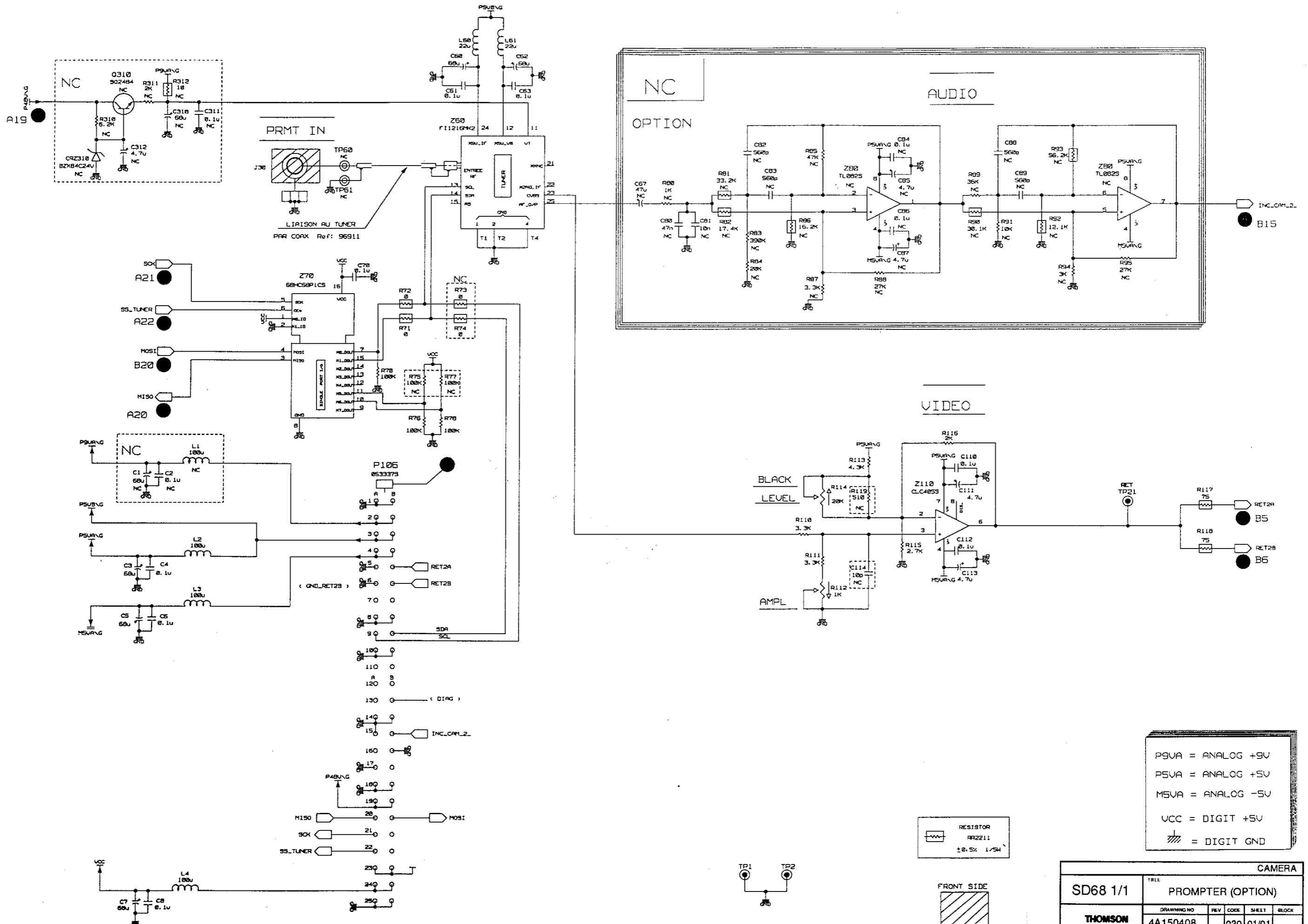
MINI MELF
 RC3715
 1/4W - 1%
 MICRO MELF
 RA2211
 1/5W - 0.5%

VCC = DIGIT +5V
 PSUA = ANALOG +5V
 MSUA = ANALOG -5V
 [Symbol] = DIGIT GND

SD67 2/2		TITLE FILTER DEMOD			
THOMSON		DRAWING NO 4A150407	REV 030	CODE 02/02	BLOCK

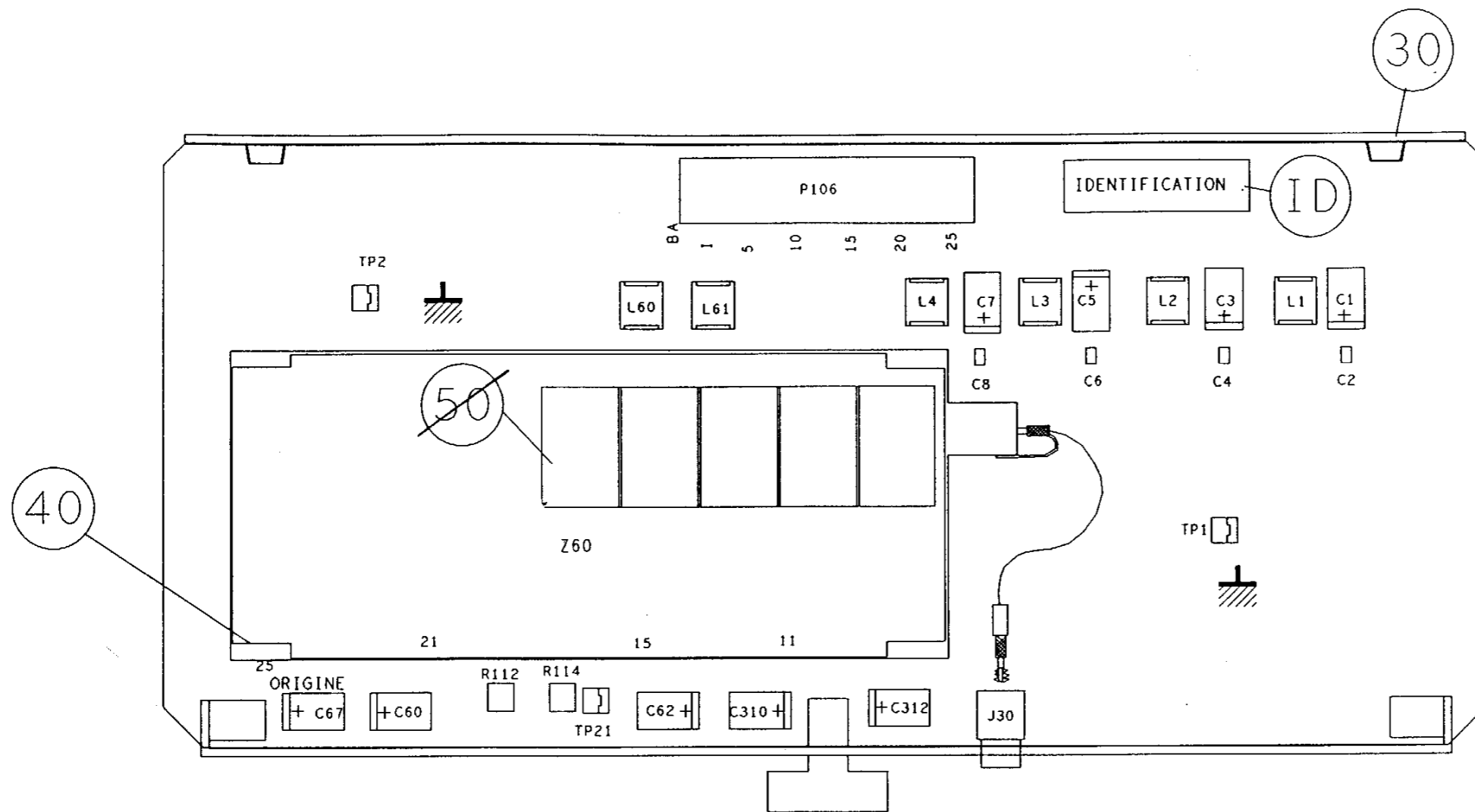


CAMERA				
LD67 1/2	TITLE FILTER DEMOD			
THOMSON	DRAWING NO 4A150407	REV 046	SHEET 01/02	BLOCK

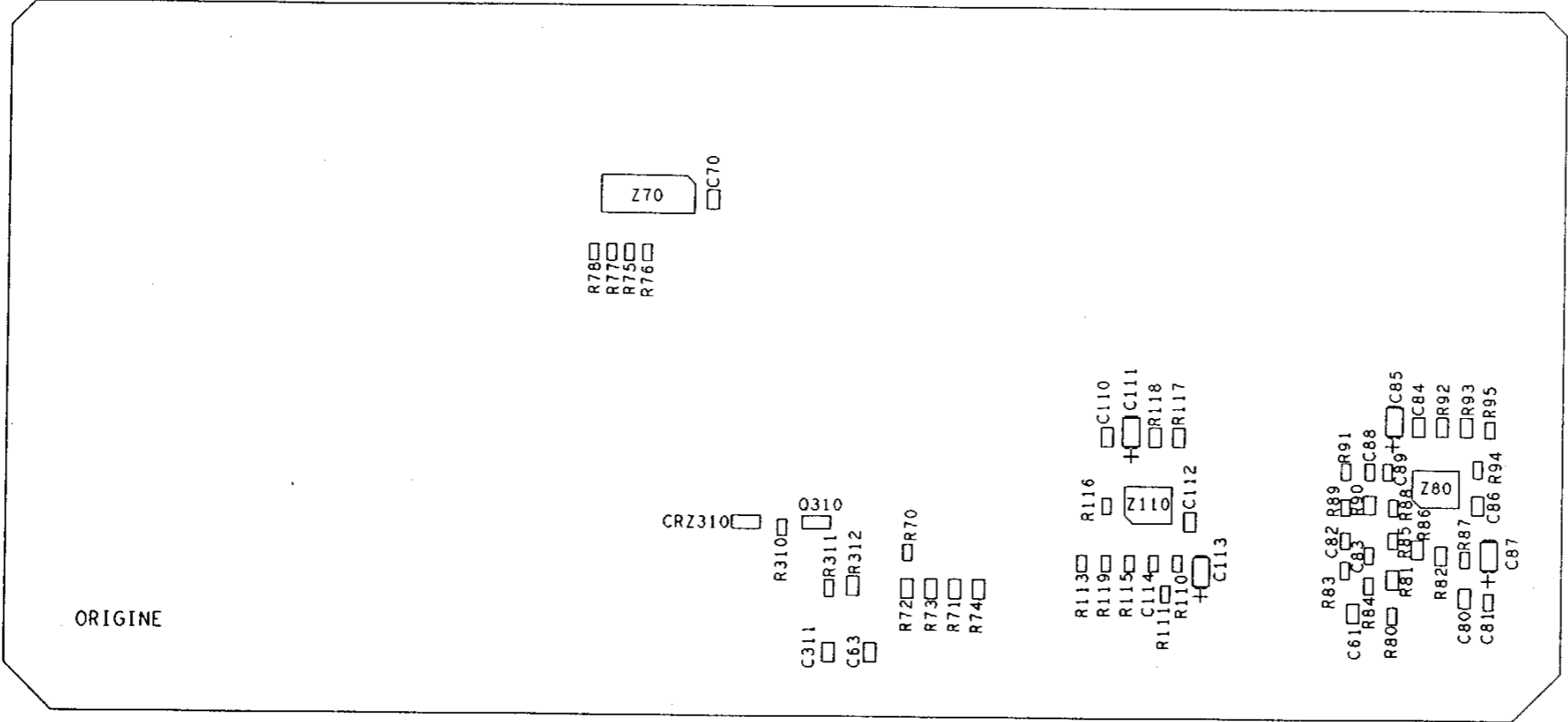


PSVA = ANALOG +5V
 PSVA = ANALOG +5V
 MSVA = ANALOG -5V
 VCC = DIGIT +5V
 // = DIGIT GND

CAMERA	
SD68 1/1	PROMPTER (OPTION)
THOMSON	4A150408
REV	030
CODE	01/01
SHEET	1/01
BLOCK	



CAMERA				
LD68 1/2	TITLE PROMPTER (OPTION)			
THOMSON	DRAWING NO	REV	CODE	SHEET / BLOCK
	4A150408		046	01/02



ORIGINE

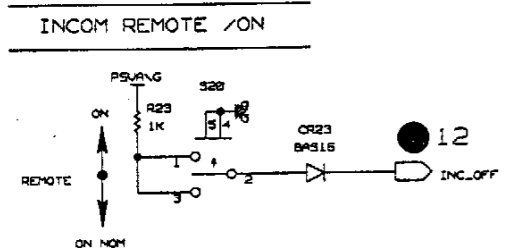
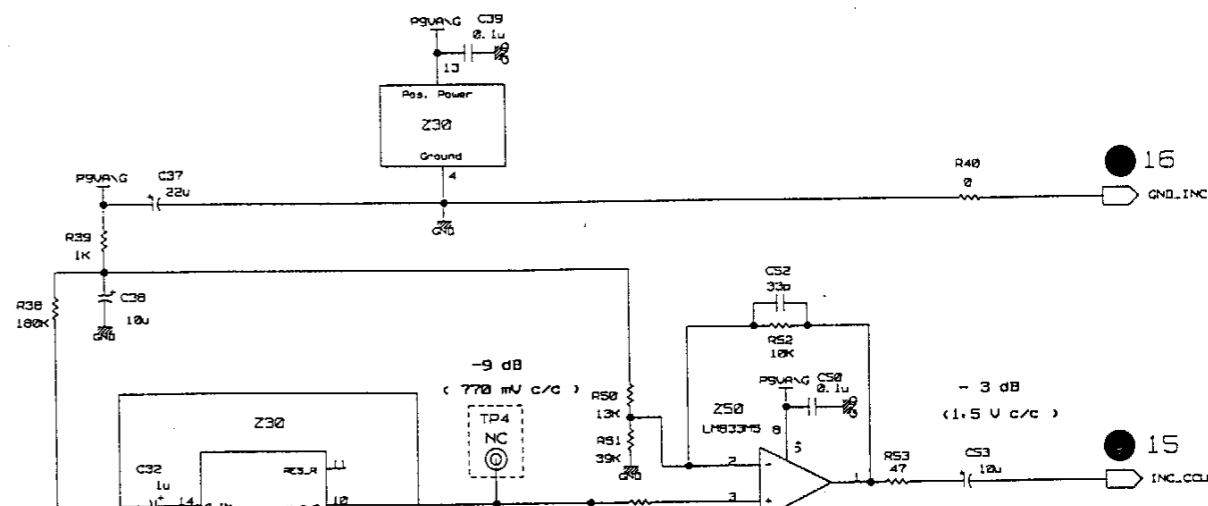
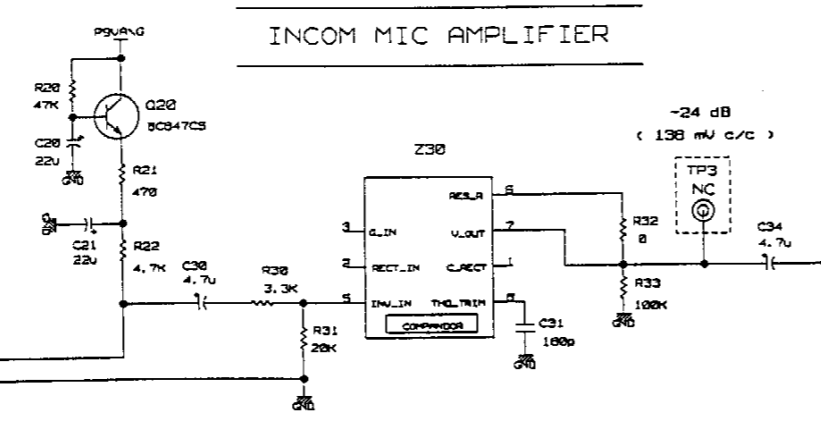
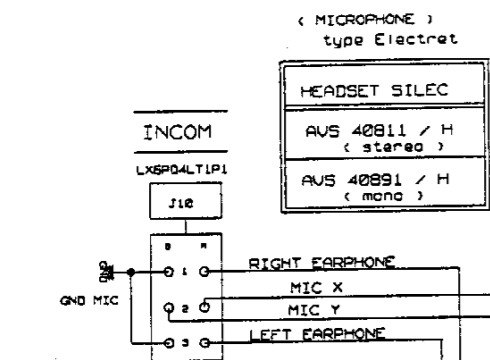
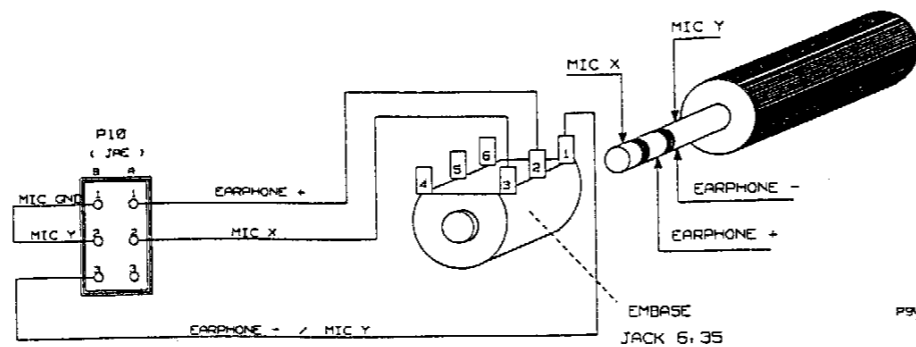
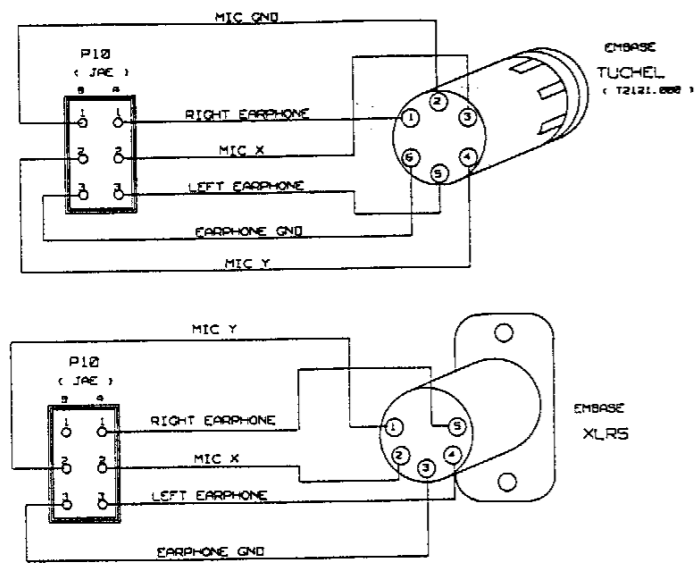
Z70
C70
R78
R77
R75
R76

CRZ310
R310
C311
R311
R312
C63
C63
R72
R70
R73
R71
R74

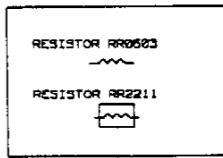
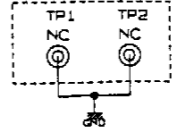
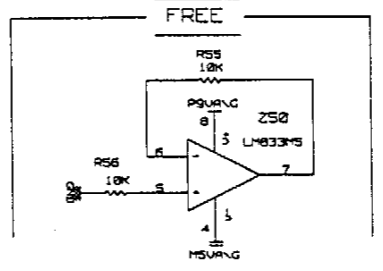
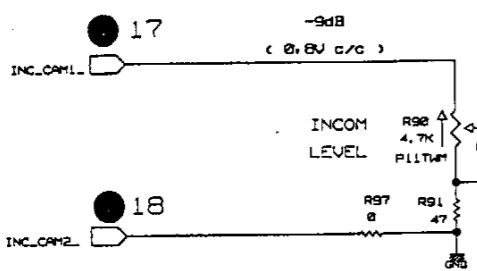
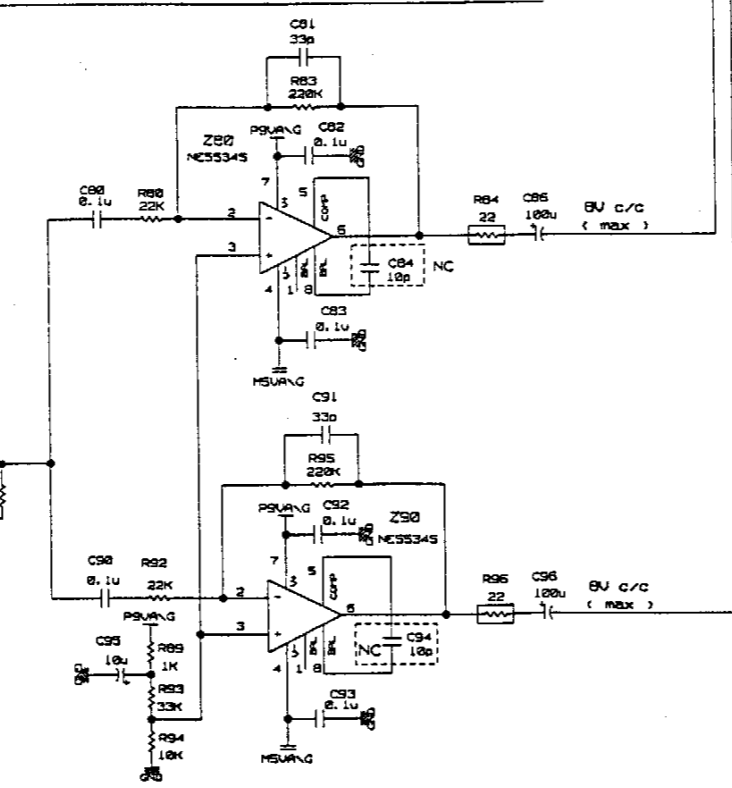
R113
R119
R115
C114
R110
R116
R110
C113
Z110
C110
C111
R118
R117

R83
C82
R89
R91
C61
R84
R83
R90
C88
R80
R81
R85
R88
C89
C85
R82
R86
Z80
C84
R87
R92
C80
R93
C81
C86
R94
R95
C87

CAMERA				
LD68 2/2	TITLE PROMPTER (OPTION)			
THOMSON	DRAWING NO	REV	CODE	SHEET
	4A150408	046	02/02	BLOCK



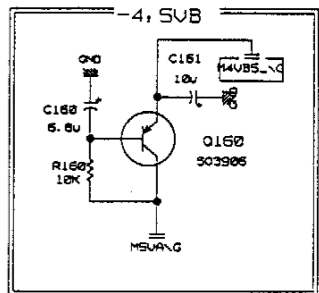
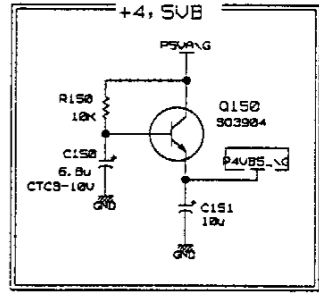
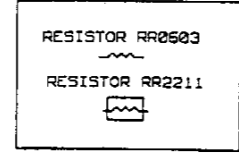
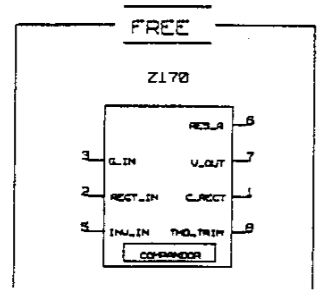
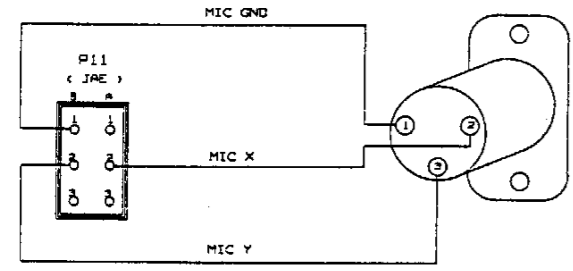
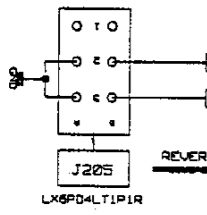
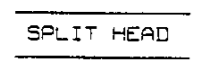
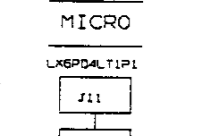
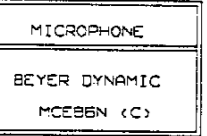
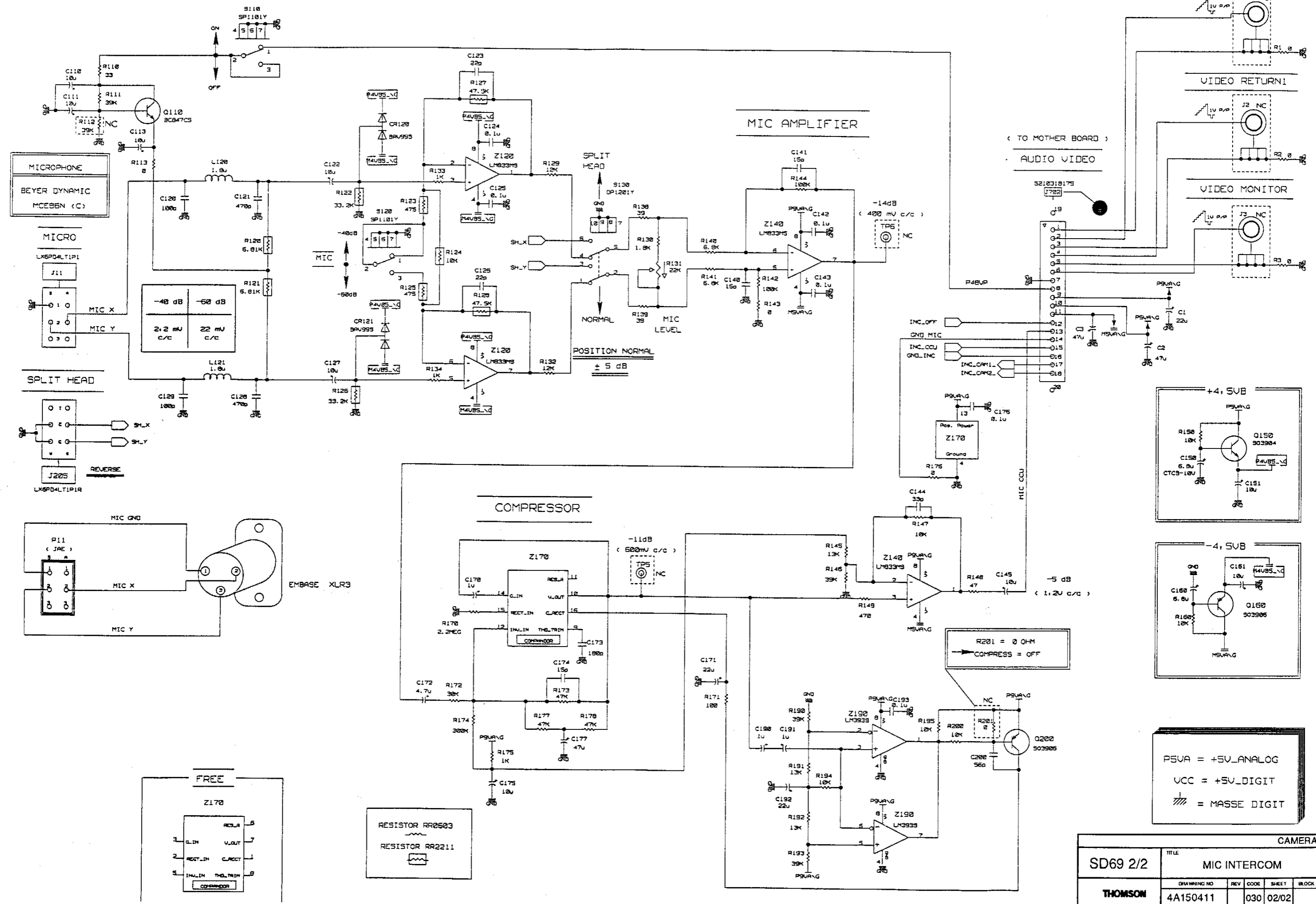
INCOM EARPHONE AMPLIFIER



PSVA = +5V_ANALOG
 VCC = +5V_DIGIT

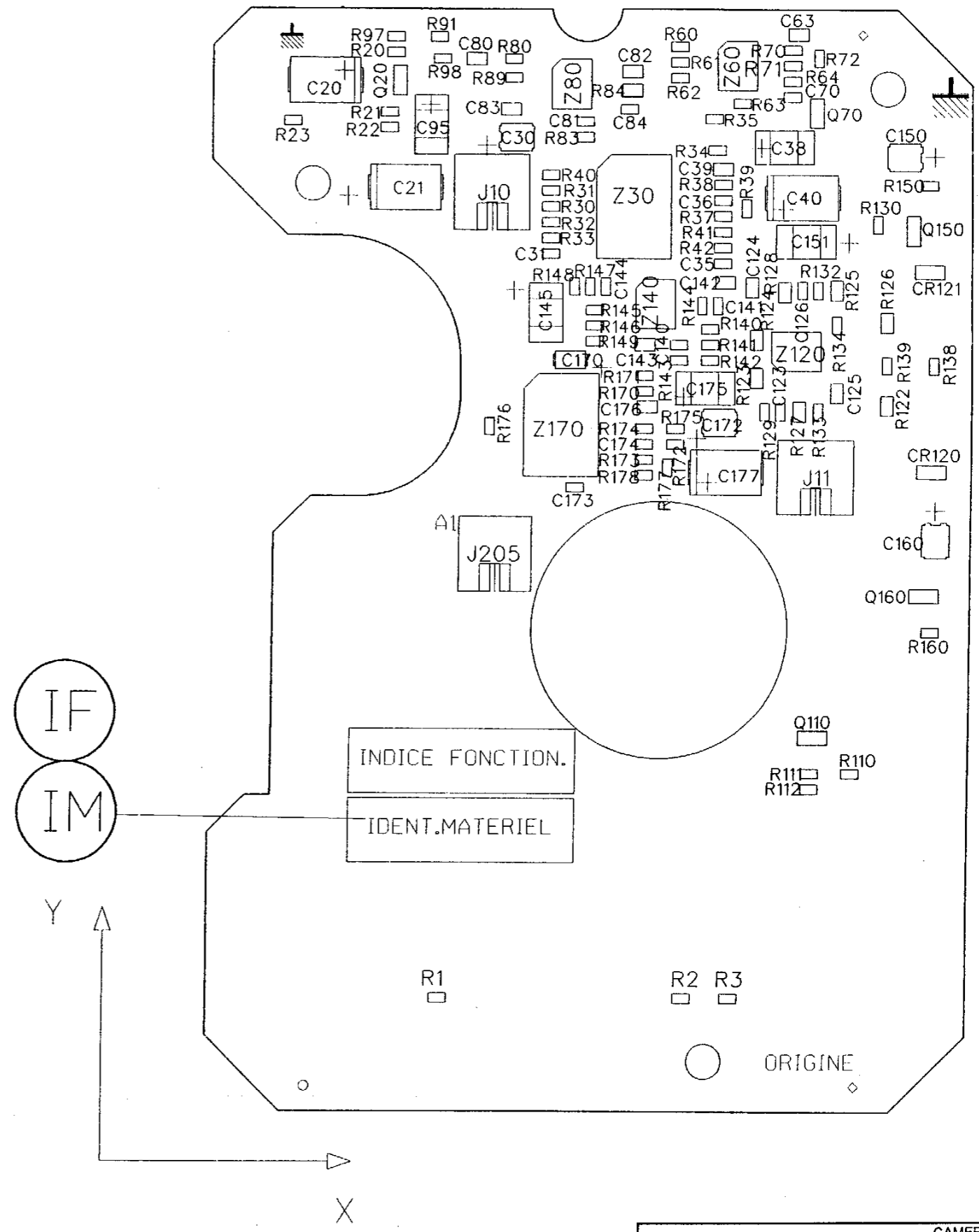
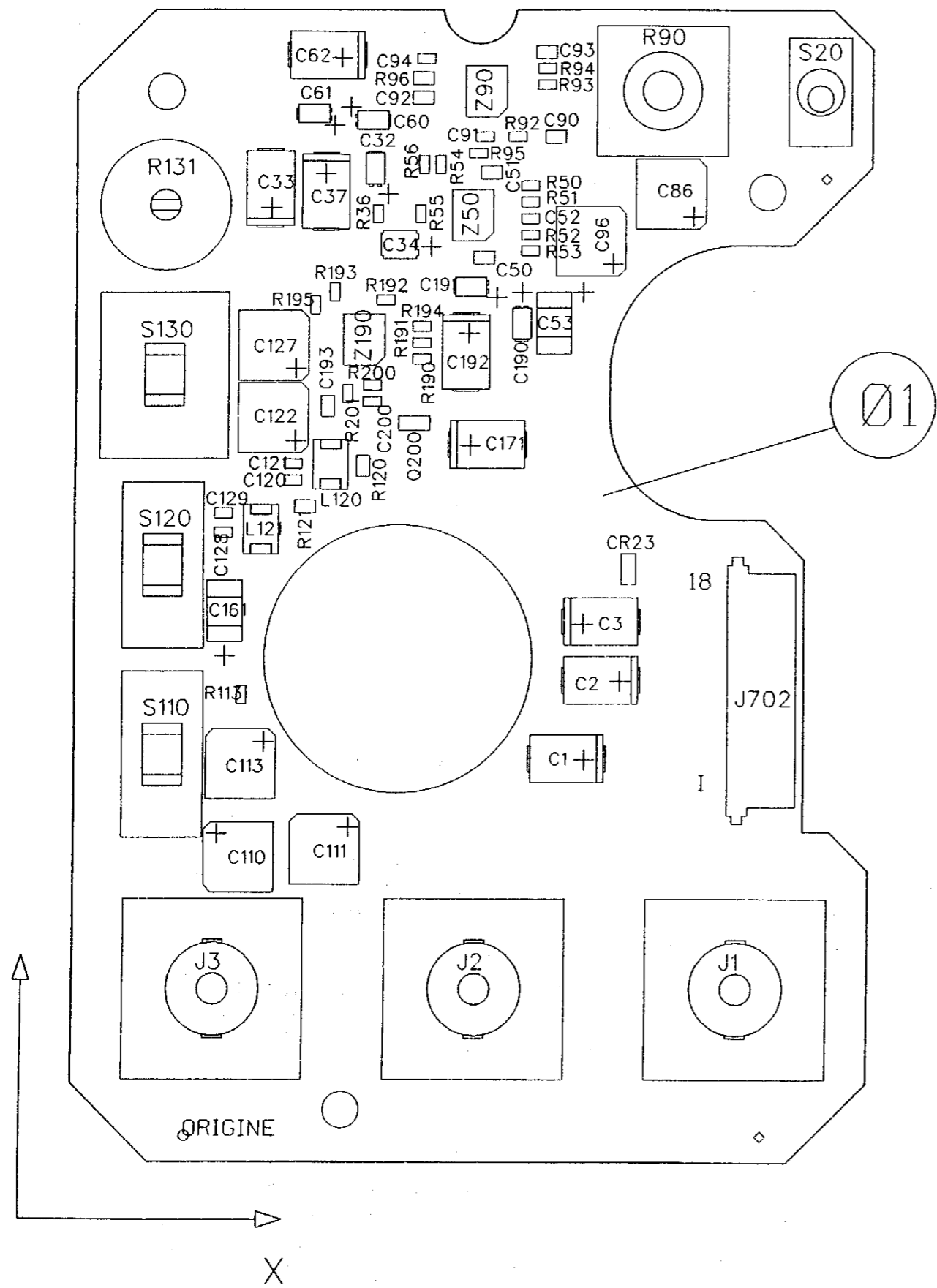
CAMERA				
SD69 1/2		TITLE		
		MIC INTERCOM		
DRAWING NO	REV	CODE	SHEET	BLOCK
THOMSON	4A150411	030	01/02	

48V PHANTOM POWER

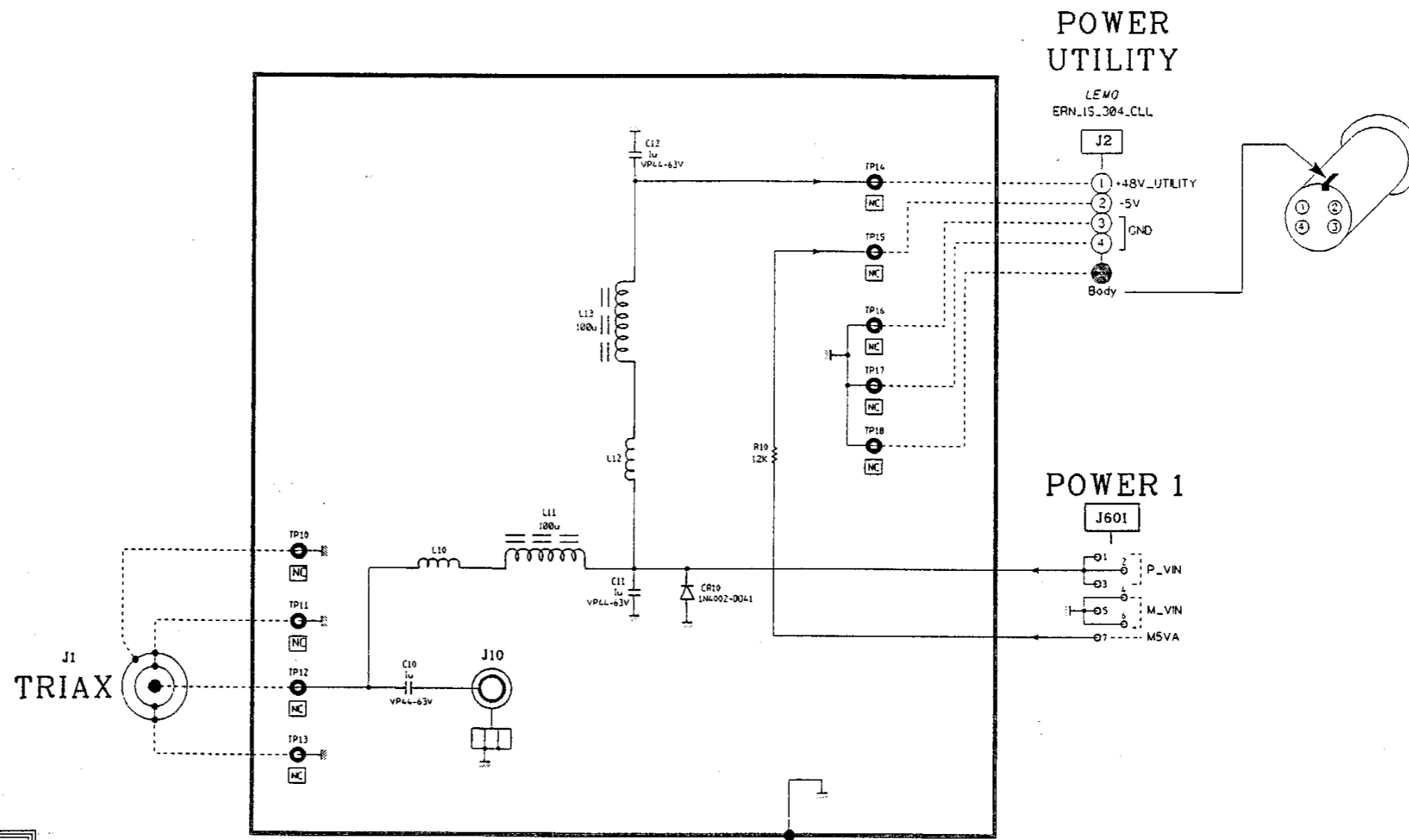


PSUA = +5V_ANALOG
 UCC = +5V_DIGIT
 // = MASSE DIGIT

SD69 2/2		CAMERA		
THOMSON		MIC INTERCOM		
DRAWING NO	REV	CODE	SHEET	BLOCK
4A150411		030	02/02	



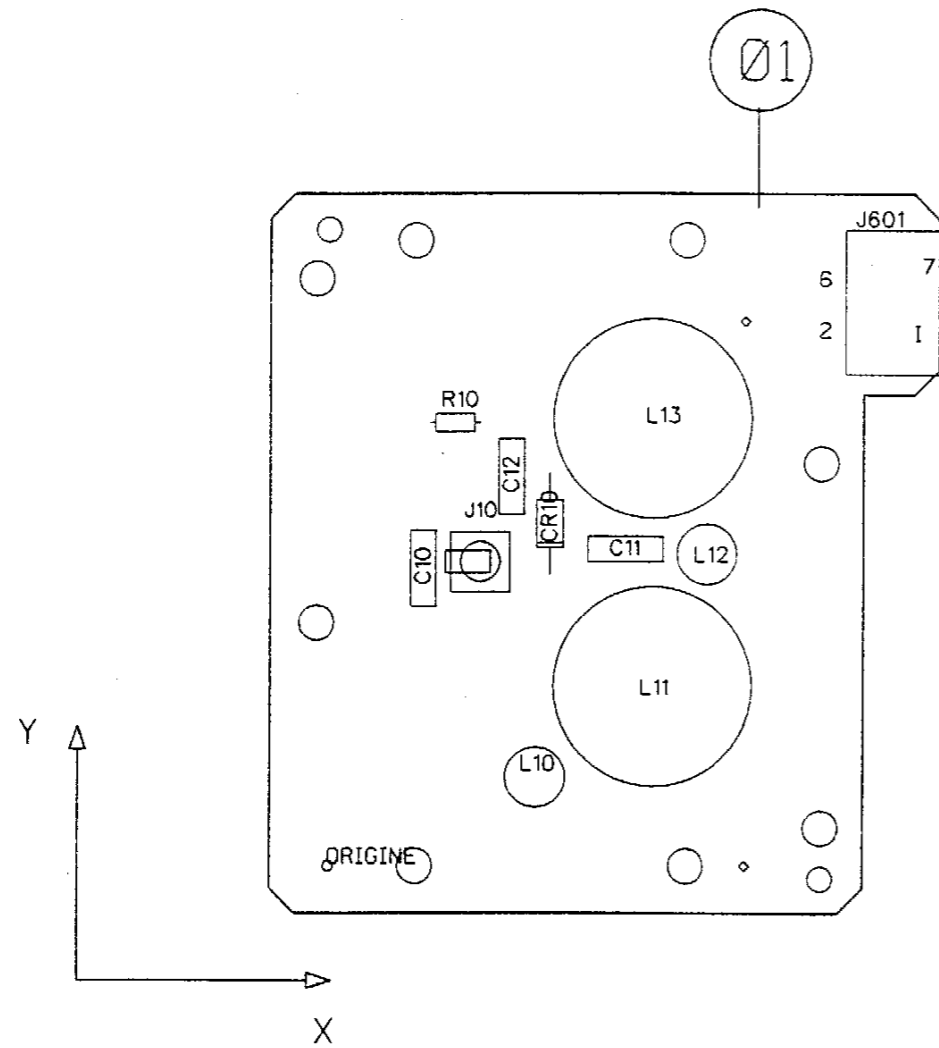
CAMERA				
LD69 1/1	TITLE	MIC INTERCOM		
THOMSON	DRAWING NO	REV CODE	SHEET	BLOCK
	4A150411	046	01/01	



TRIAX CONNECTOR		
TBS	JUPITER (LEMO 75Ω)	T9000535
BBC	(LEMO 50Ω)	T1000066
	FISHER	T1000986
USA	KINGS	T1001066
DEUTCH	DAMAR & HAGEN	99129257

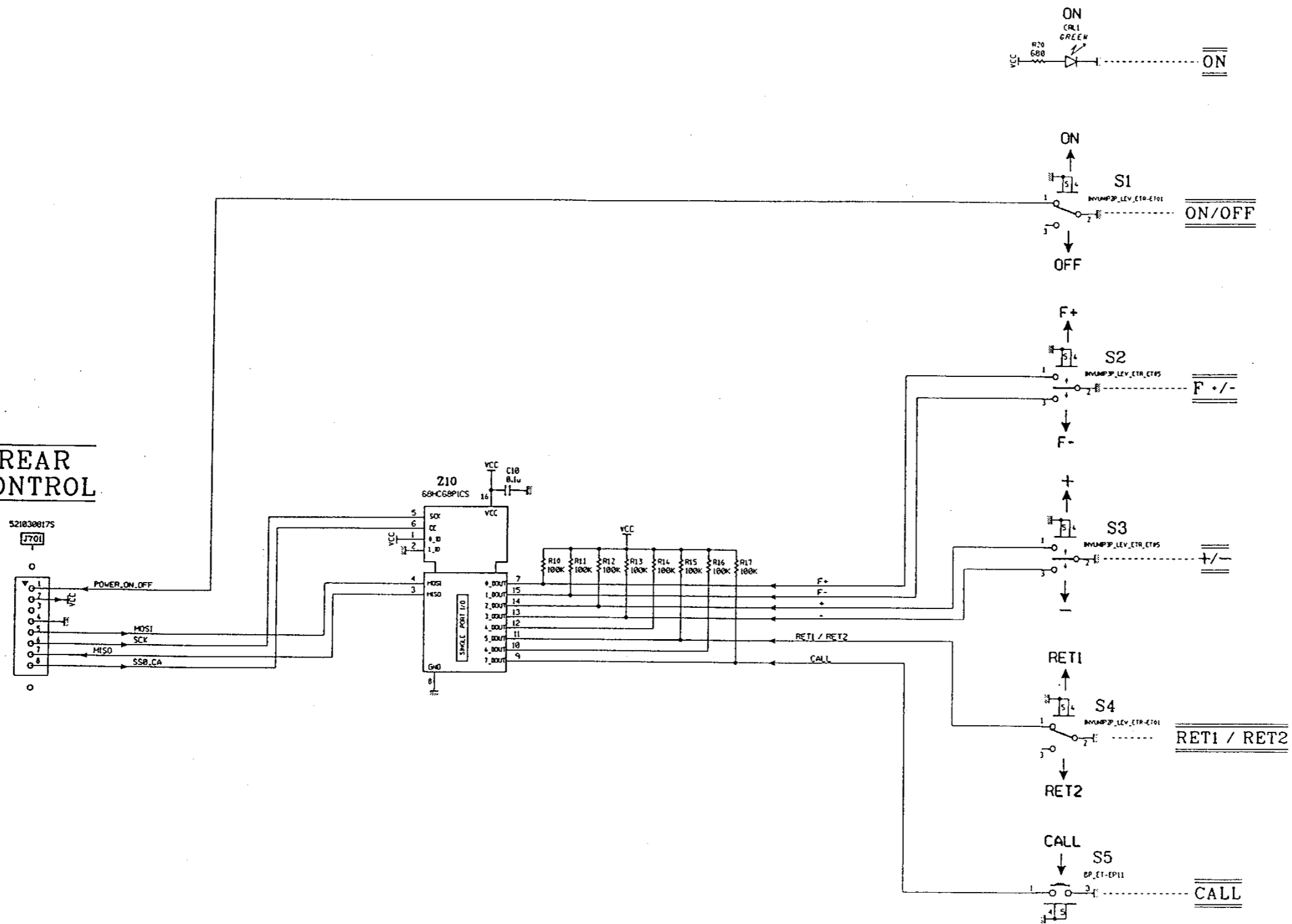
SHIELD

CAMERA				
SD70 1/1	TITLE TRIAX ADAPTOR			
THOMSON	DRAWING NO	REV	CODE	SHEET
	4A150410		030	01/01



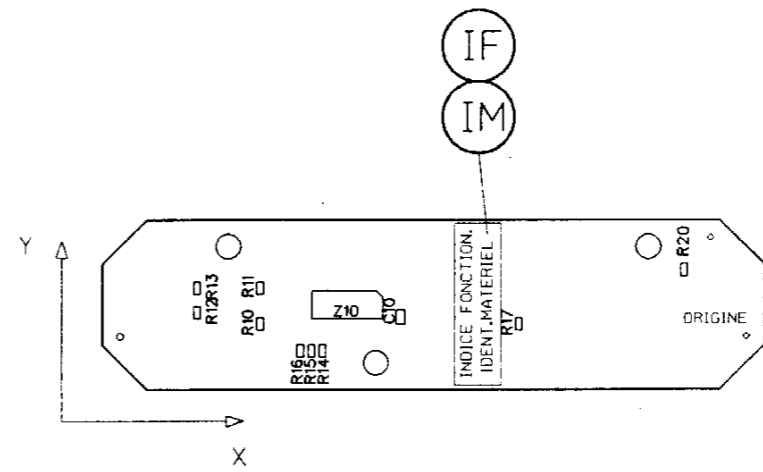
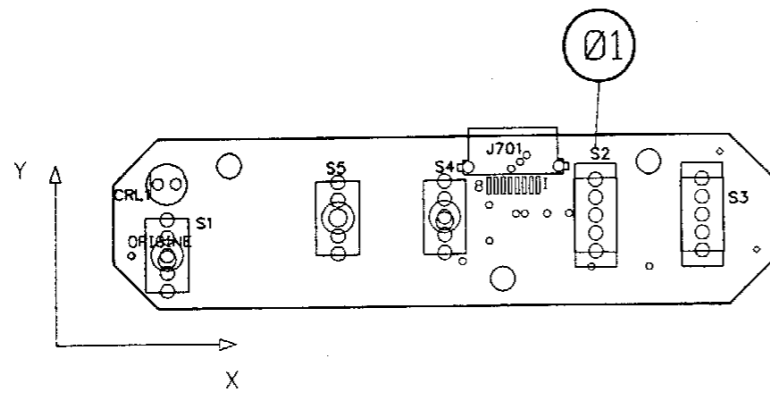
CAMERA				
TITLE				
LD70 1/1	TRIAX ADAPTOR			
DRAWING NO	REV	CODE	SHEET	BLOCK
THOMSON 4A150410	046	01/01		

REAR CONTROL

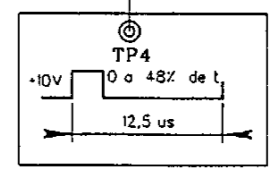
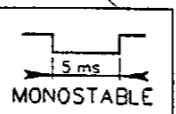
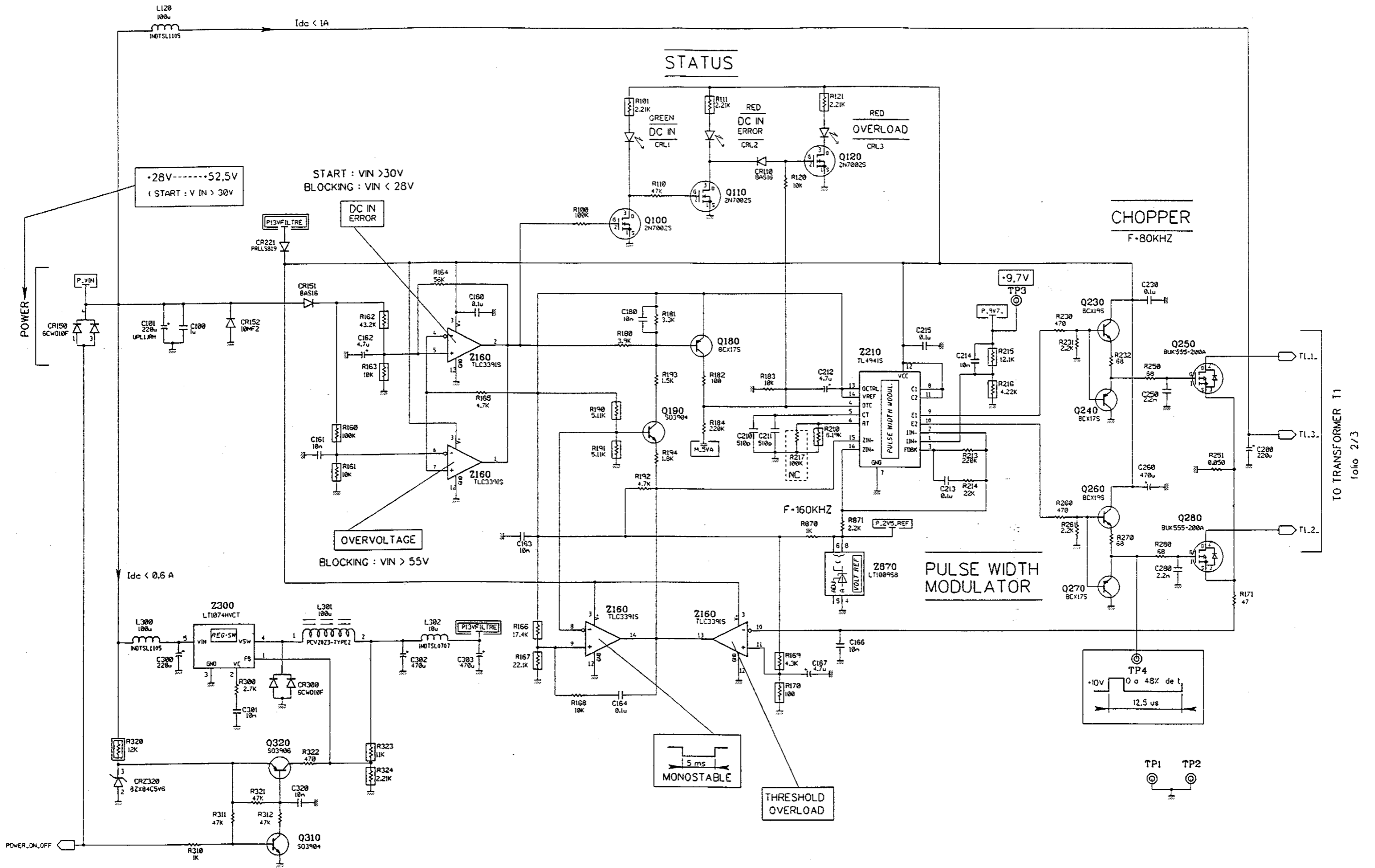


VCC = +5V_DIGIT
 = MASSE DIGIT

CAMERA				
SD71 1/1	TITLE REAR CONTROL			
THOMSON	DRAWING NO 4A150412	REV CODE 030	SHEET 01/01	BLOCK



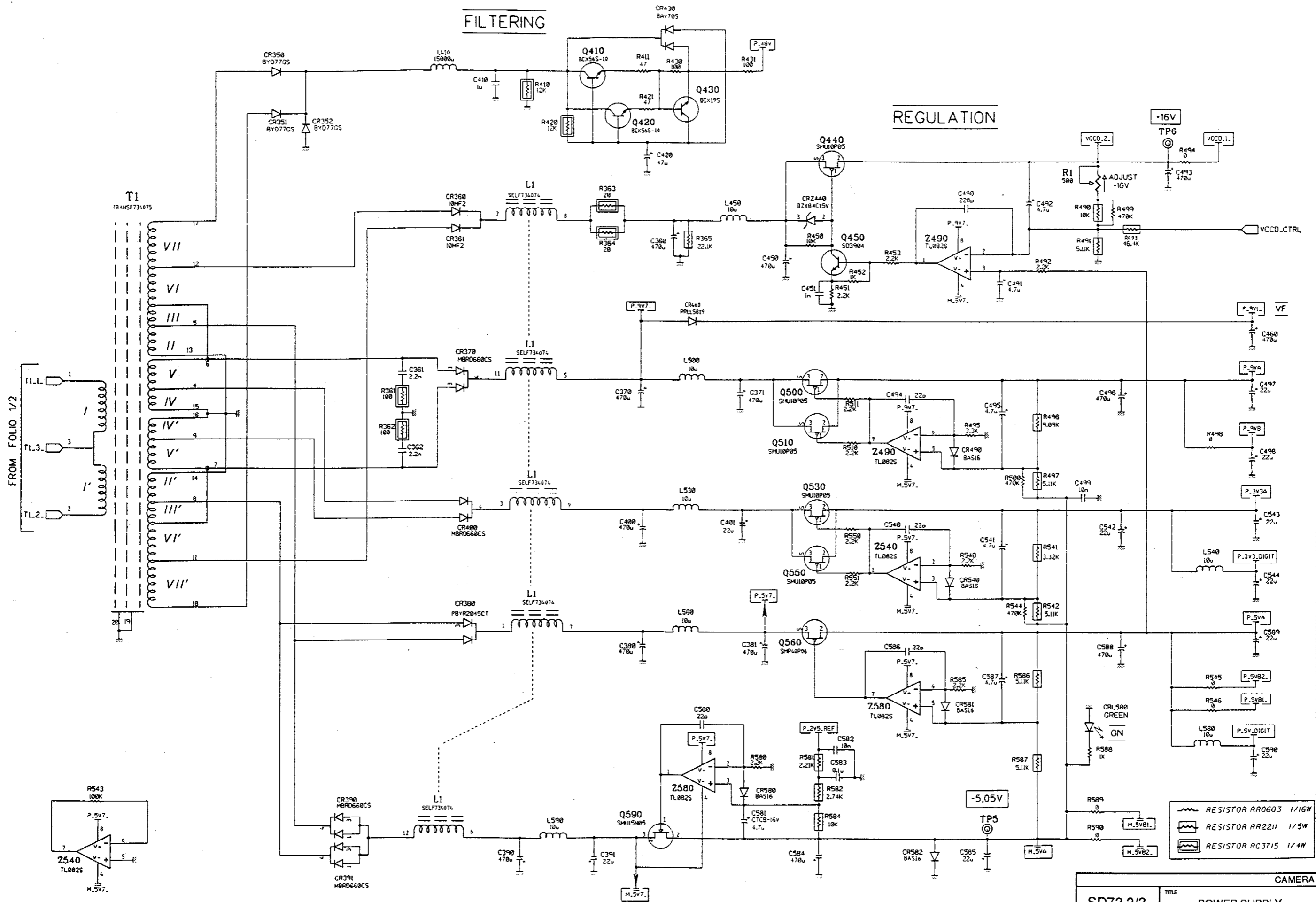
CAMERA				
LD71 1/1	TITLE REAR CONTROL			
THOMSON	DRAWING NO	REV	CODE	SHEET
	4A150412	046	01/01	BLOCK



- RESISTOR RR0603 1/16W
- RESISTOR RR2211 1/5W
- RESISTOR RC3715 1/4W

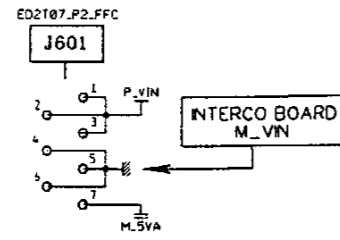
CAMERA				
SD72 1/3		POWER SUPPLY		
DRAWING NO	REV	CODE	SHEET	BLOCK
THOMSON	46150413	030	01/03	

TO TRANSFORMER T1
folio 2/3

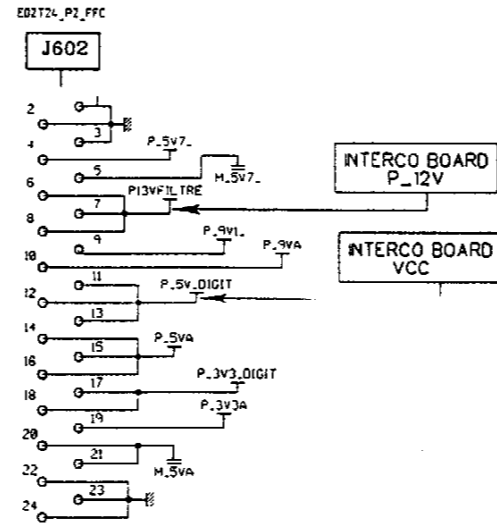


CAMERA				
SD72 2/3	TITLE POWER SUPPLY			
THOMSON	DRAWING NO 46150413	REV CODE 030	SHEET 02/03	BLOCK

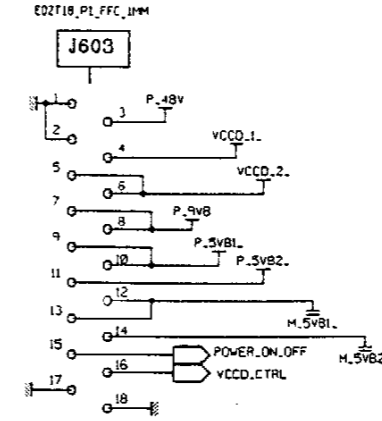
POWER 1



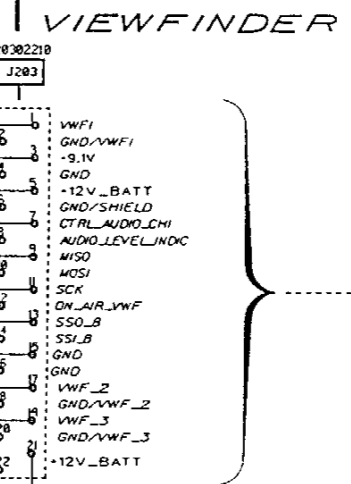
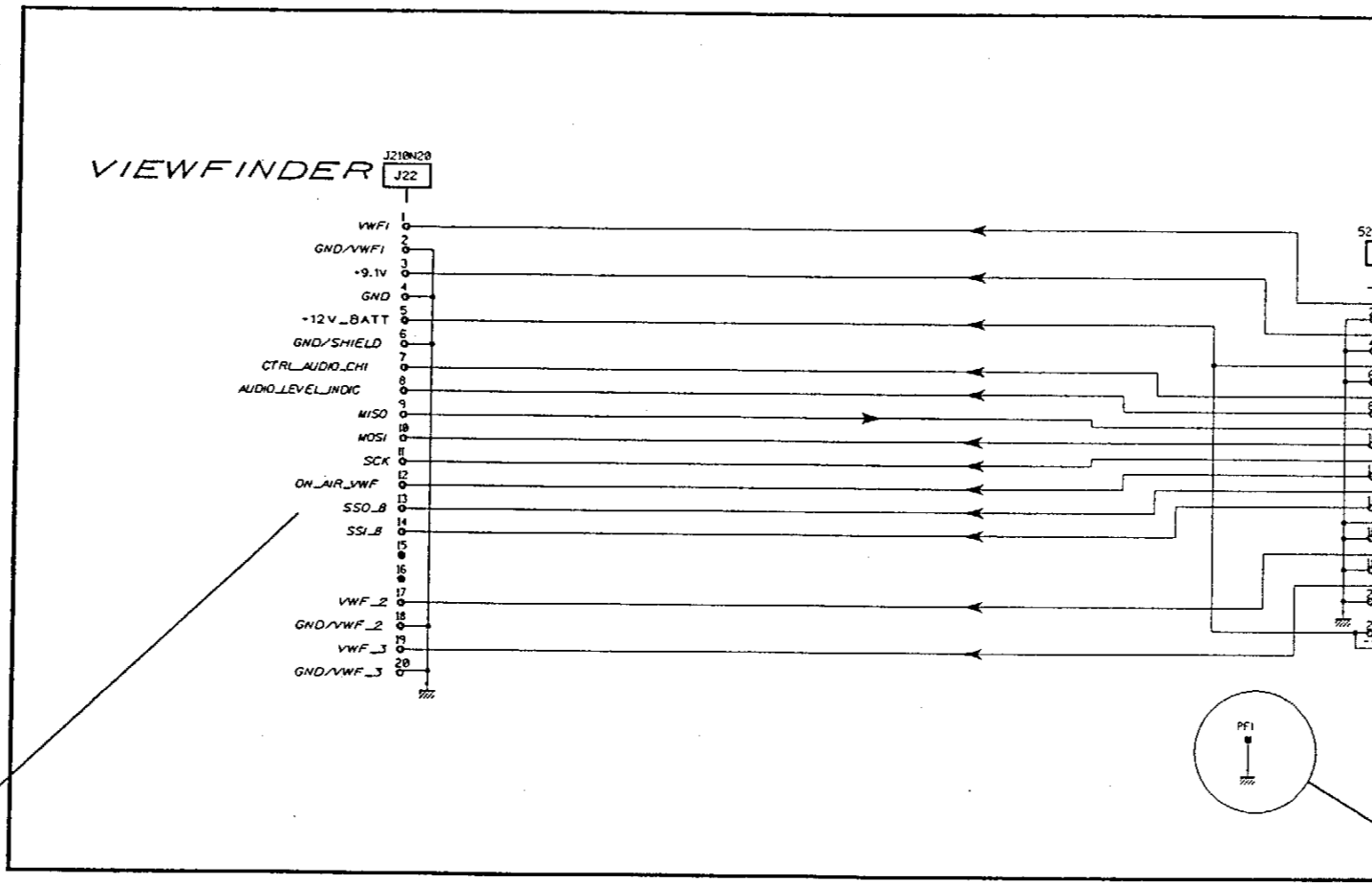
POWER 2



POWER 3

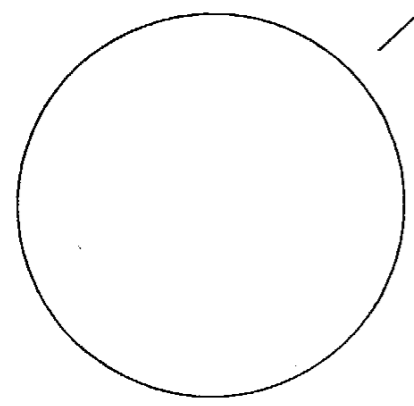


CAMERA					
SD72 2/3		TITLE POWER SUPPLY			
THOMSON		DRAWING NO	REV	CODE	SHEET
		46150413	030	02/03	BLOCK

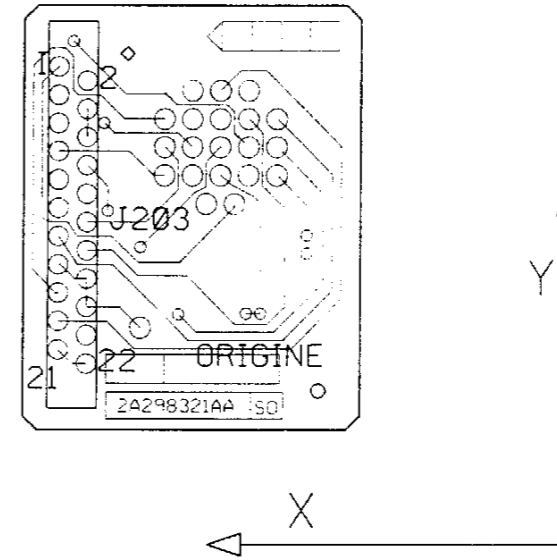
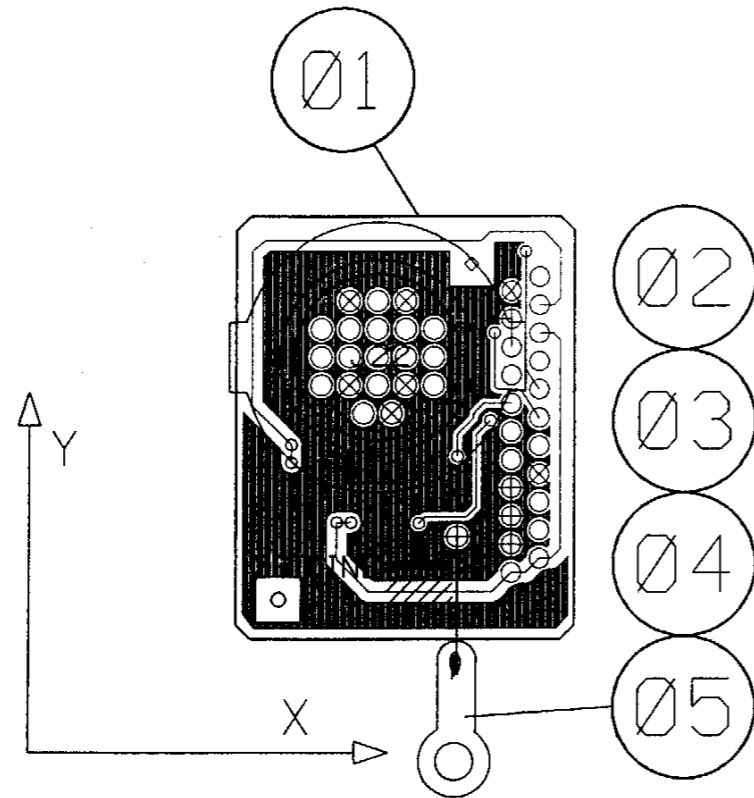
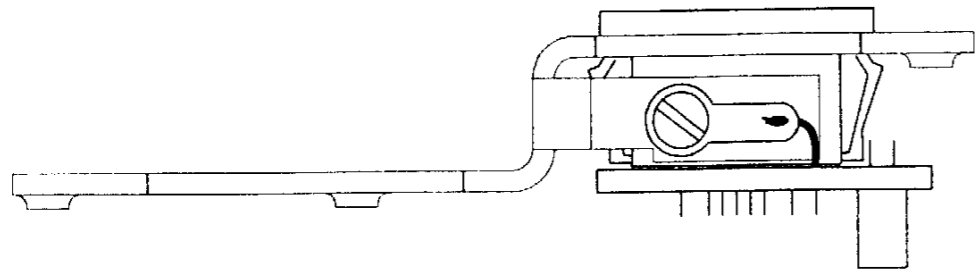


OVERALL INTERCONNECTION

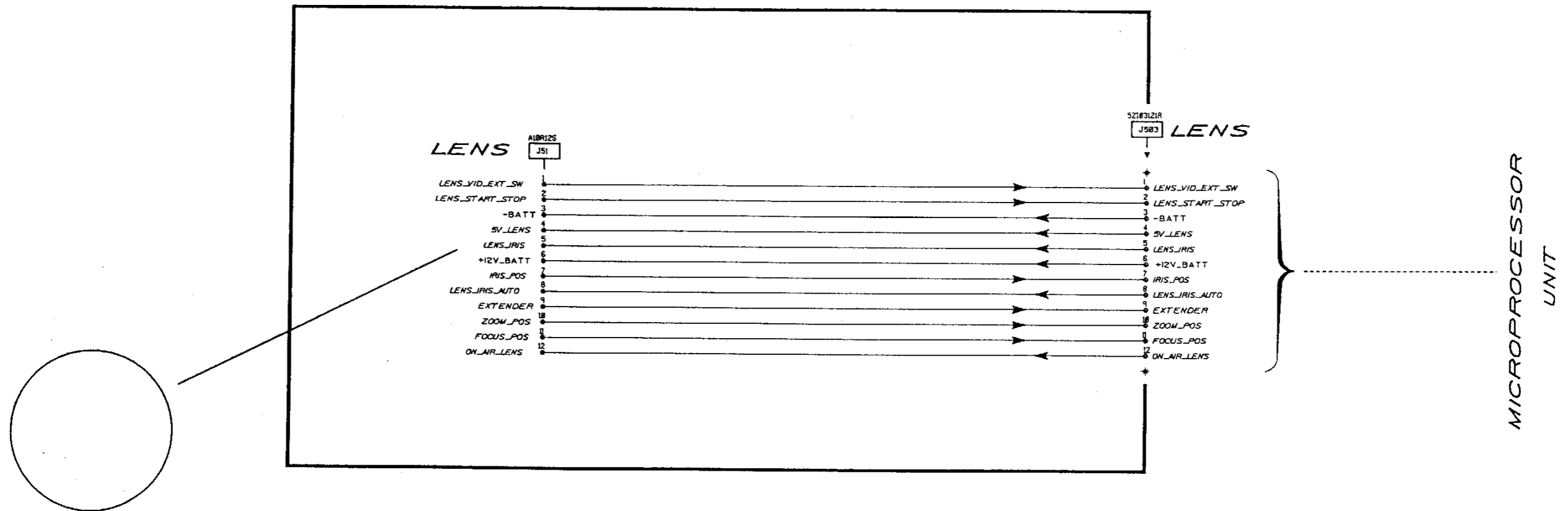
MASSE MECANIQUE



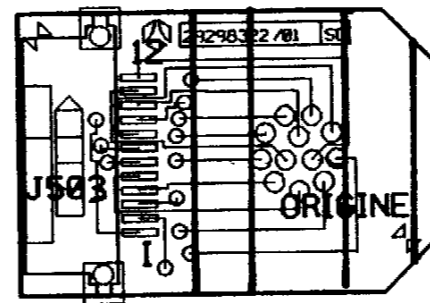
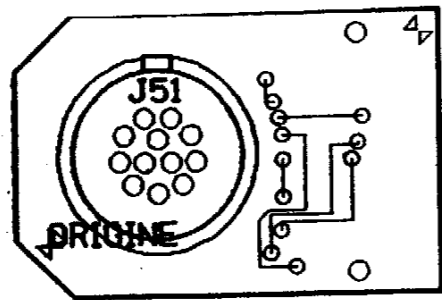
CAMERA				
SD73 1/1	TITLE VIEWFINDER			
THOMSON	DRAWING NO	REV	CODE	SHEET
	4A150051	030	01/01	BLOCK



CAMERA					
LD73 1/1		TITLE VIEWFINDER			
DRAWING NO		REV	CODE	SHEET	BLOCK
THOMSON		4A150051	046	01/01	



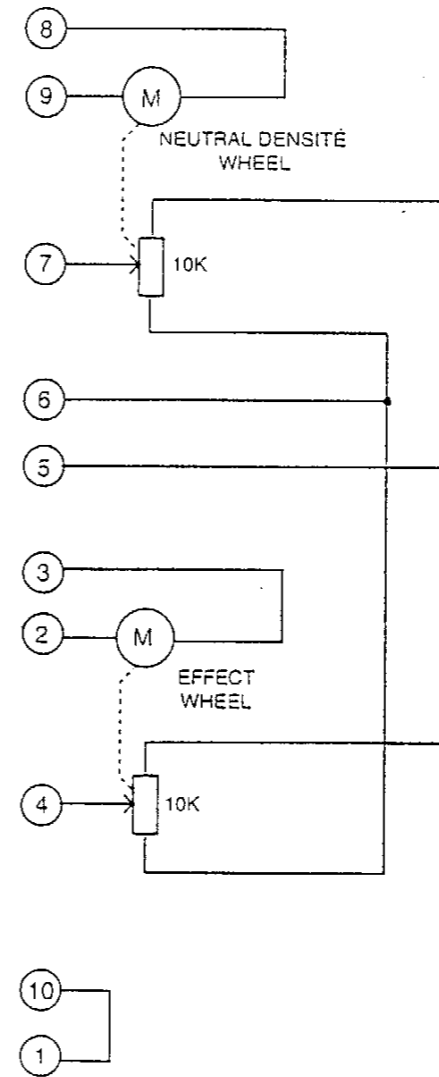
SD74 1/1		CAMERA			
TITLE		LENS			
THOMSON	DRAWING NO	REV	CODE	SHEET	BLOCK
	46150055		030	01/01	



CAMERA				
LD74 1/1	TITLE LENS			
THOMSON	DRAWING NO.	REV.	CODE	SHEET / BLOCK
	46150055		046	01/01

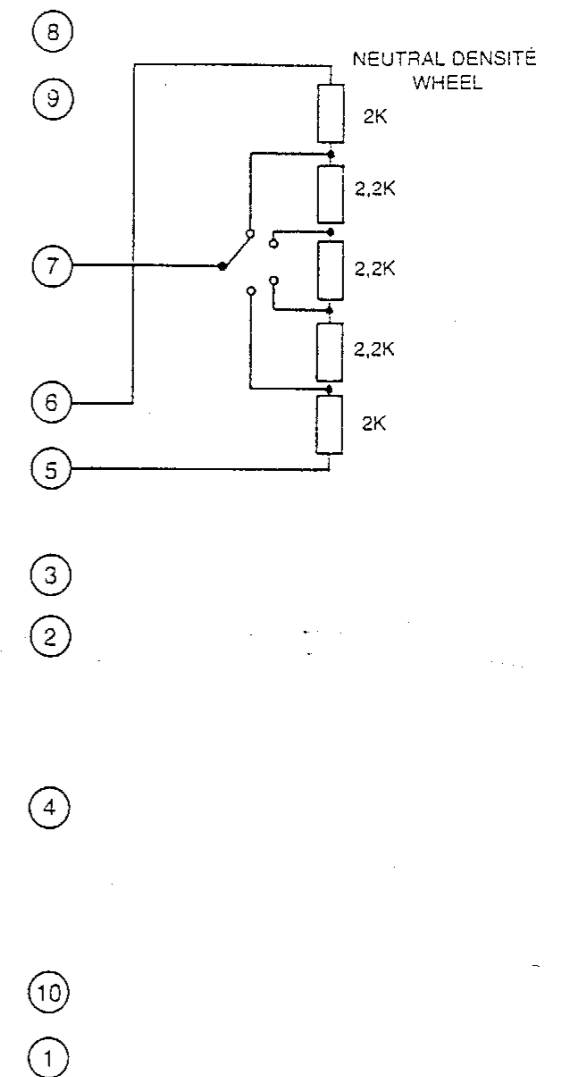
ELECTRIC WHEELS

FROM and TO
INTERCONNECTION P.C.B.(P201)

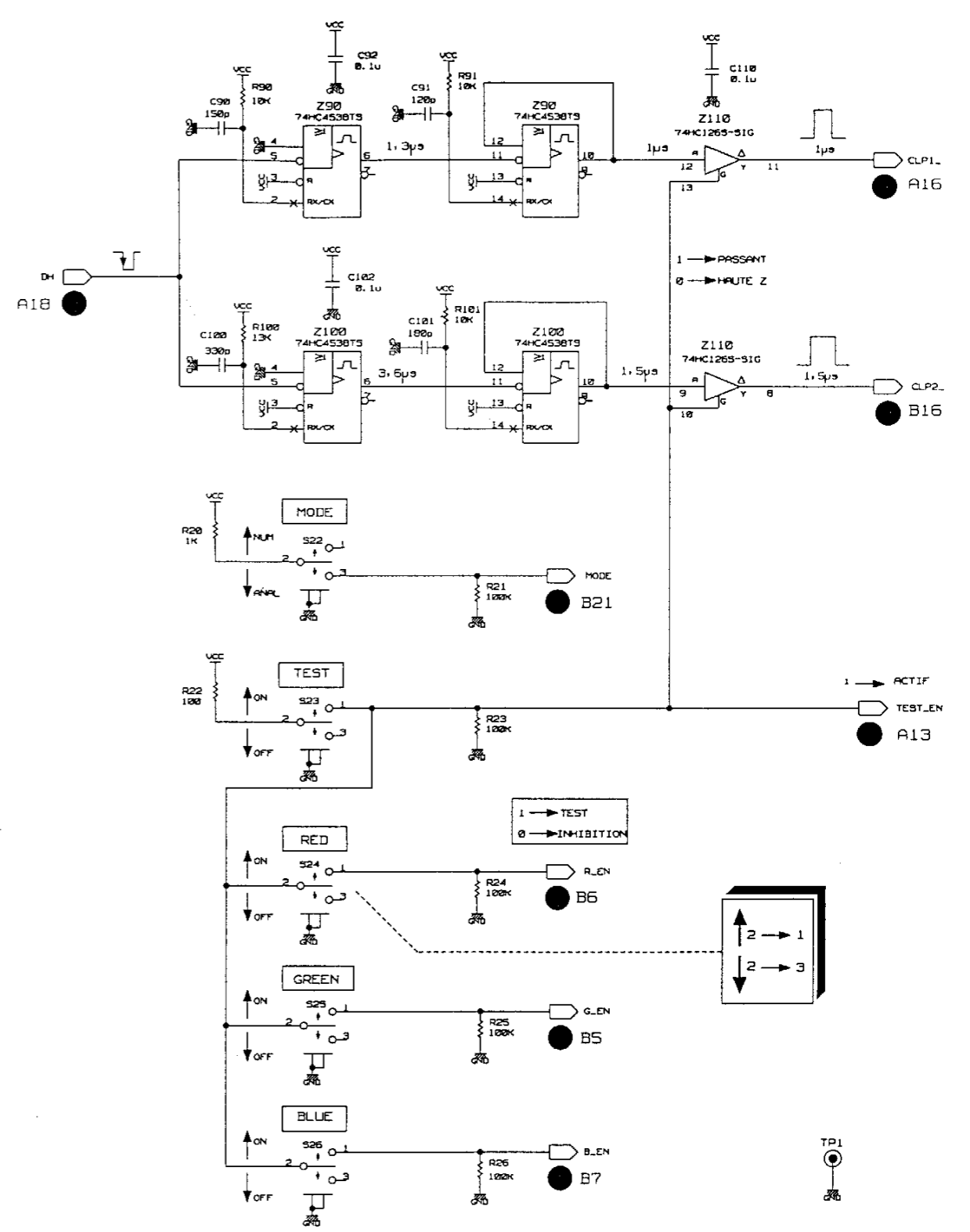
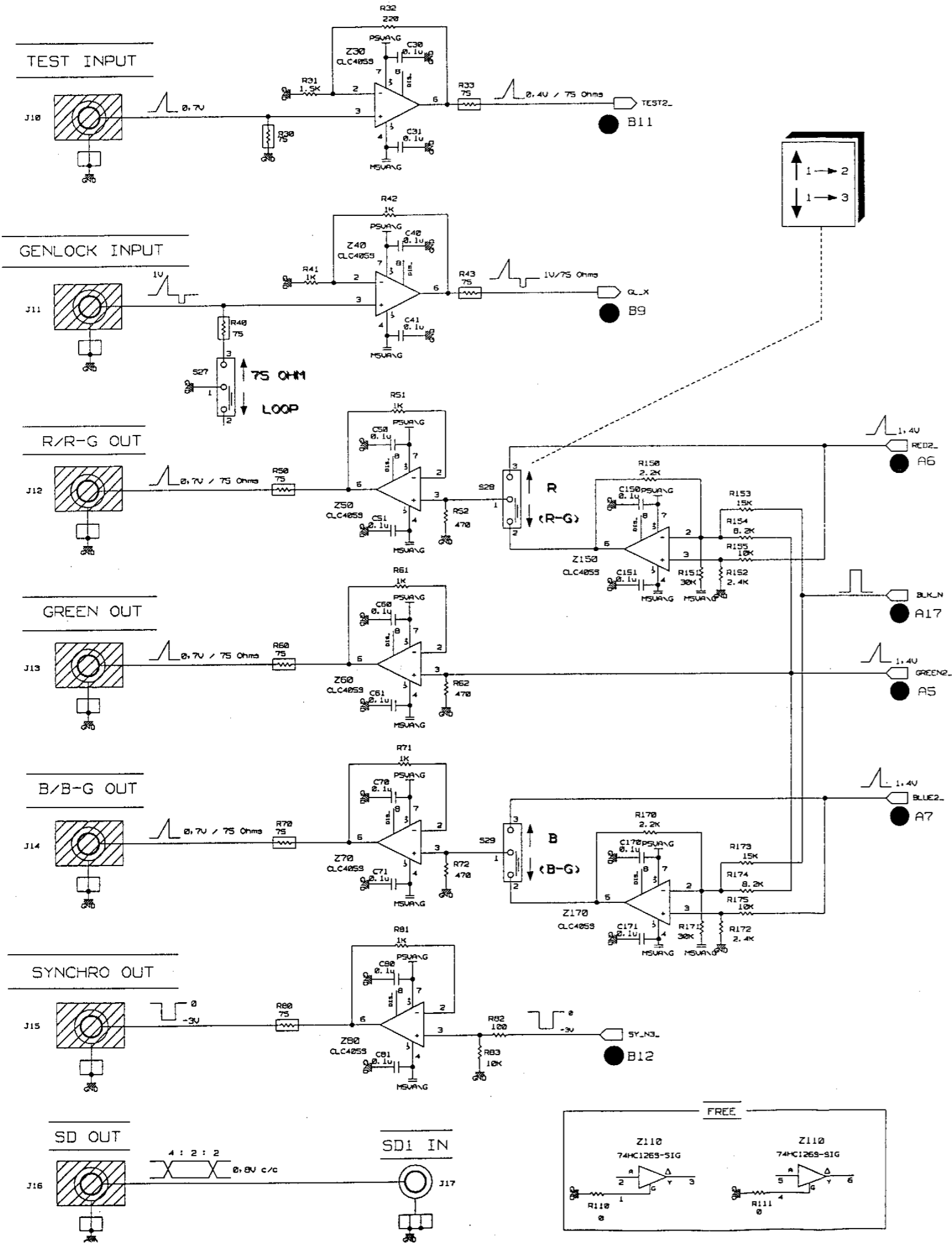


MANUAL WHEEL

FROM and TO
INTERCONNECTION P.C.B.(P201)

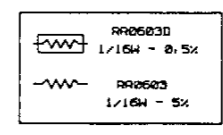
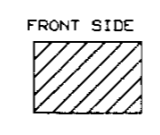


CAMERA				
TITLE				
SD75 1/1	FILTER WHEELS			
THOMSON	DRAWING NO	REV	CODE	SHEET
	46150055		030	01/01
				BLOCK

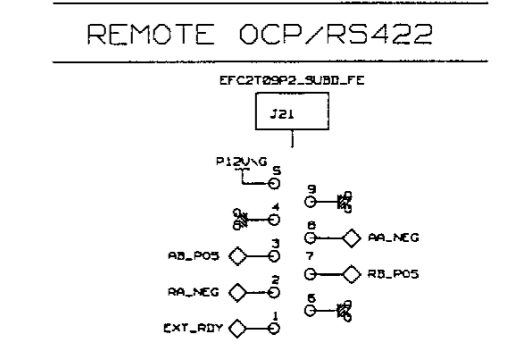
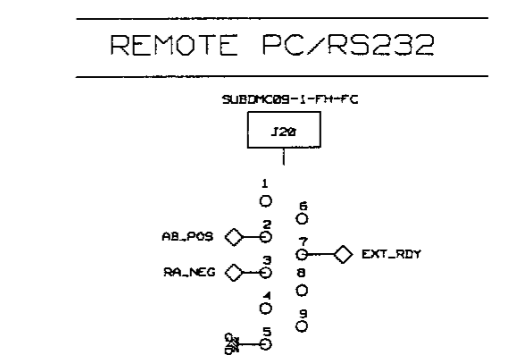
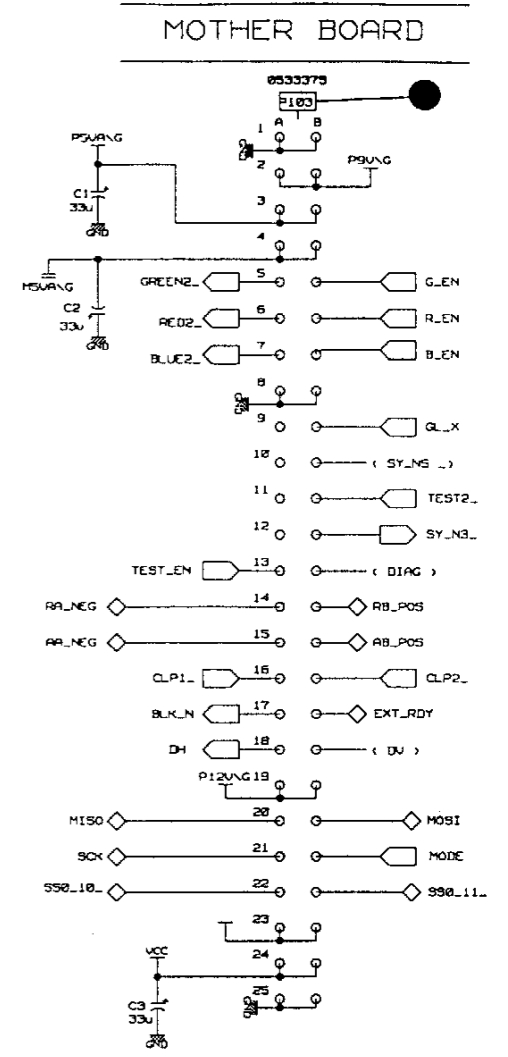
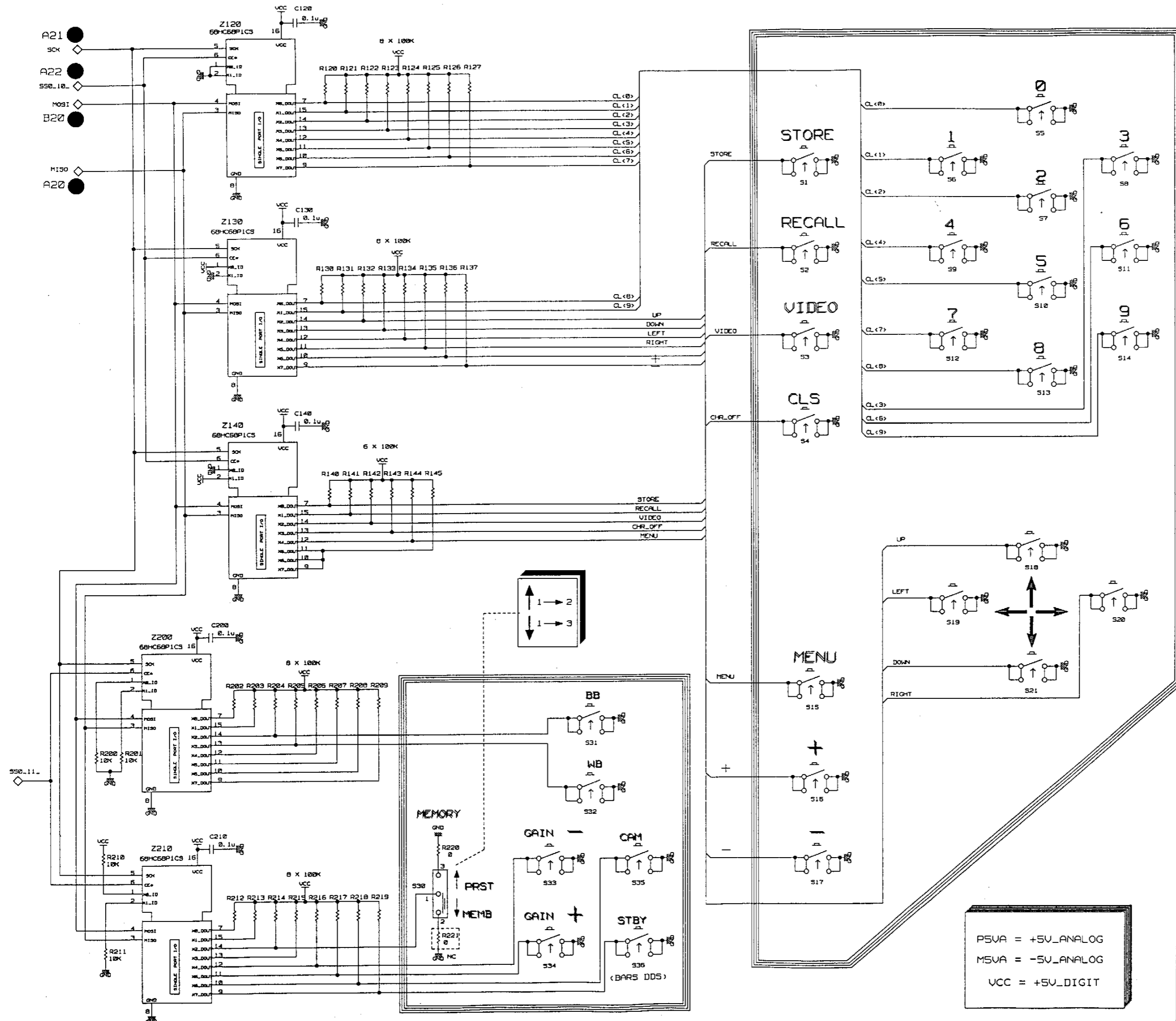


MODE	TEST_LEN	R_EN	G_EN	B_EN
NUM	0V	OFF	0V	OFF
		ON	0V	ON
ANFL	+5V	OFF	0V	OFF
		ON	+5V	ON

PSVA = ANALOG +5V
 MSVA = ANALOG -5V
 VCC = +5V DIGIT

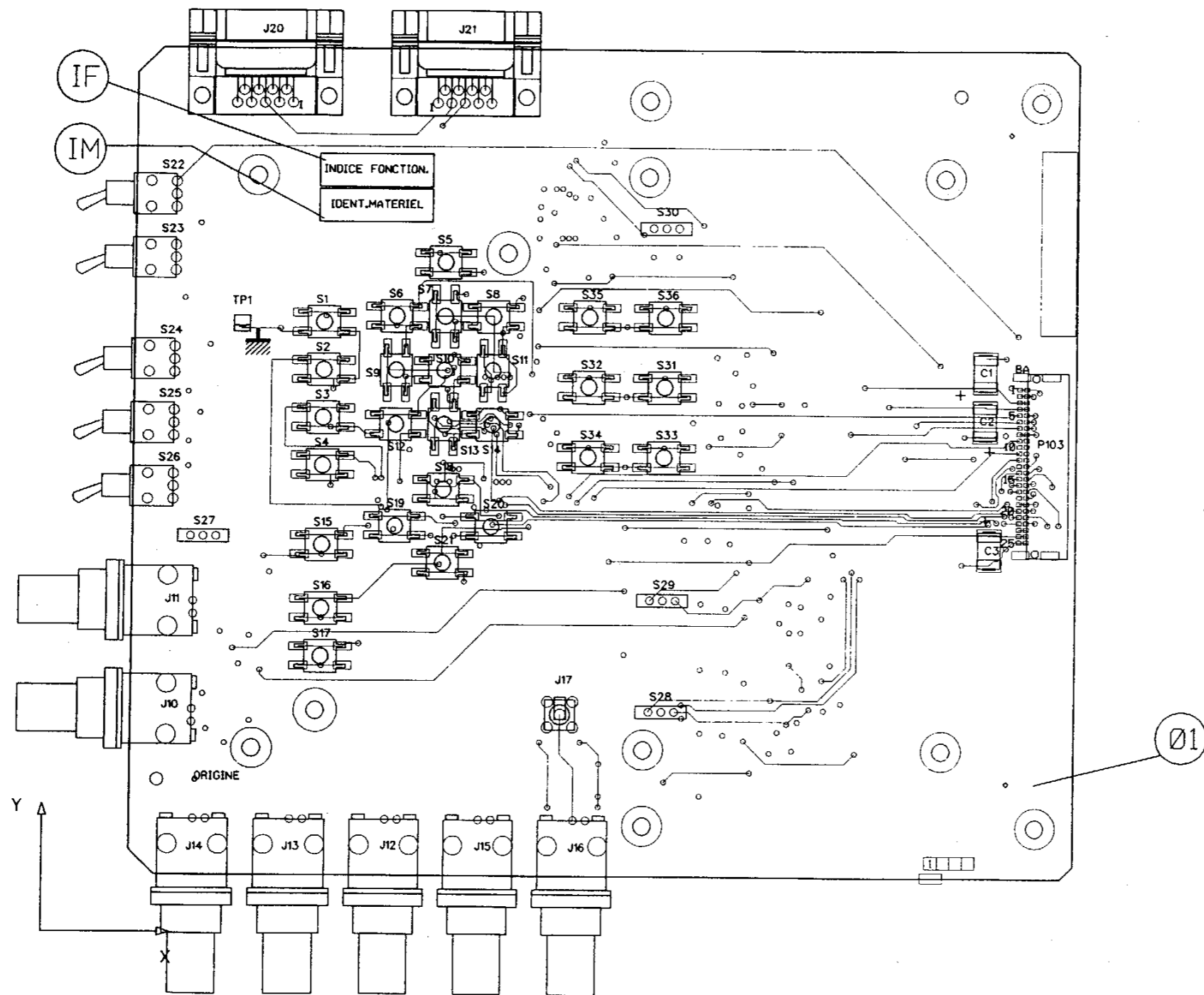


CAMERA		TOOLS			
SD76 1/2	TITLE	DRAWING NO	REV CODE	SHEET	BLOCK
THOMSON		4A150409	030	01/02	

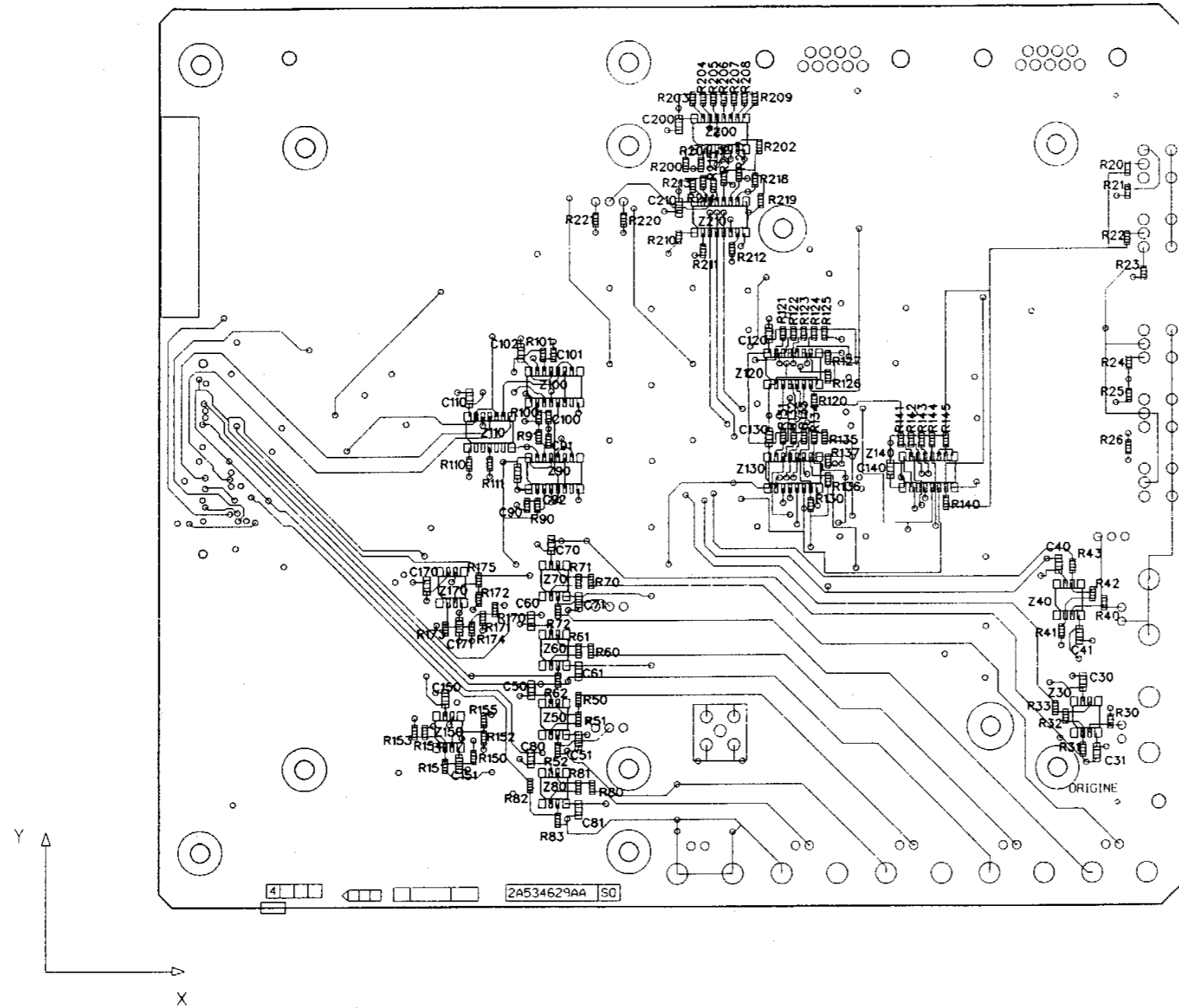


PSVA = +5V_ANALOG
 MSVA = -5V_ANALOG
 VCC = +5V_DIGIT

SD76 2/2		CAMERA			
THOMSON		TOOLS			
DRAWING NO	REV	CODE	SHEET	BLOCK	
4A150409		030	02/02		



CAMERA				
LD76 1/2	TOOLS			
	DRAWING NO	REV	CODE	SHEET
THOMSON	4A150409	046	01/02	BLOCK



CAMERA				
LD76 2/2	TITLE TOOLS			
THOMSON	DRAWING NO 4A150409	REV 046	CODE 02/02	SHEET BLOCK

47033303AA

SCHEMA

REF.	REFERENCE NUMBER	DESCRIPTION	VALUE	PART NO
CAPACITOR				
C	112	SURFACE MOUNTED CAPACITOR	CAC66 4.7 MF 20% 50V -40+105	T9000690
C	240 281	SURFACE MOUNTED CAPACITOR	CAC66 100 MF 20% 6.3V -40+105	T9000694
C	452	FIXED CAPACITOR	CTS49-2 47 MF +-10% 10V	T9000700
C	143 191 192 215	SURFACE MOUNTED CAPACITOR	CC0603-1CG-J 100 PF 5% 63V	T9000870
C	212 214 520	SURFACE MOUNTED CAPACITOR	CC0603-1CG-J 220 PF 5% 63V	T9000871
C	211 213	SURFACE MOUNTED CAPACITOR	CC0603-1CG-J 22 PF 5% 63V	T9000961
C	301	SURFACE MOUNTED CAPACITOR	CC0603-1CG-J 47 PF 5% 63V	T9000964
C	142	SURFACE MOUNTED CAPACITOR	CC0603-1CG-J 150 PF 5% 63V	T9000969
C	141	SURFACE MOUNTED CAPACITOR	CC0603-1CG-J 180 PF 5% 63V	T9000970
C	101 119	SURFACE MOUNTED CAPACITOR	CC0603-2C1 10NF 10% 63V	T9001016
C	113	SURFACE MOUNTED CAPACITOR	CAC46 10MF 20% 16V -55+105	T9001328
C	1	SURFACE MOUNTED CAPACITOR	CTC3D 22MF 20% 20V	T9003002
C	2 5 242 283 440 450	SURFACE MOUNTED CAPACITOR	CTC3D 33MF 20% 10V	T9003283
C	3 4 6 453	SURFACE MOUNTED CAPACITOR	CTC3D 68UF 20% 16V	T9003349
C	114 140 150 190 210 241 282 300 310 410 441 451	SURFACE MOUNTED CAPACITOR	CC0805B-X7R 100 NF 10% 50V	T9004666
C	510			
CONNECTOR (FIXED)				
J	30A 31A	NUT	ECROU H M1,6 U INOX.A4 PASSIVE	99059909
J	30B 31B	SCREW	C M1.6X4 U INOX A2.70 PASS	99084621
J	30 31	SURFACE MOUNTED CONNECTOR	004861 (EFD-50S)	T1001949
J	32 33	SURFACE MOUNTED CONNECTOR	52103-1617 (EFC-16S)	T1002412
INDUCTOR				
L	240 280	SURFACE MOUNTED INDUCTOR	LC1812 2.7 UH 10% -40+85	T9001005
L	1 2 3 4	SURFACE MOUNTED INDUCTOR	LC2220 4.7UH 10% (OR11)	T9001334
TRANSISTOR				
Q	520	SURFACE MOUNTED TRANSISTOR	S03904 NPN SOT23	99110321
RESISTOR				
R	113 243 245 248 249 251 261 262 263 264 307	SURFACE MOUNTED RESISTOR	RR0603 0 OHM 1/16W K250	T9000877
R	112	SURFACE MOUNTED RESISTOR	%%RR0603 10 OHMS 5%1/16W K250	T9000933
R	140	SURFACE MOUNTED RESISTOR	%%RR0603 13 KOHMS 5% 1/16W	T9001056
R	109	SURFACE MOUNTED RESISTOR	%%RR0603 180 KOHMS 5% 1/16W	T9001082
R	520	SURFACE MOUNTED RESISTOR	RR0603 1 KOHM 1% 1/10W K100	T9005114
R	141 190 191 247 250 522	SURFACE MOUNTED RESISTOR	RR0603 10 KOHM 1% 1/10W K100	T9005115
R	280 420 421 430 521	SURFACE MOUNTED RESISTOR	RR0603 100 KOHM 1% 1/10W K100	T9005116
R	281 282 283 301 305	SURFACE MOUNTED RESISTOR	RR0603 15 OHM 1% 1/10W K100	T9005118
R	114	SURFACE MOUNTED RESISTOR	RR0603 5.62KOHM 1% 1/10W K100	T9005147
R	142 212 257 258 259 260 269 270 300 440 441 442	SURFACE MOUNTED RESISTOR	RR0603 100 OHM 1% 1/10W K100	T9005153
R	443 445 446 447			
R	210 211 304	SURFACE MOUNTED RESISTOR	RR0603 221 OHM 1% 1/10W K100	T9005157
R	120 240 241 242	SURFACE MOUNTED RESISTOR	RR0603 475 KOHM 1% 1/10W K100	T9005208
TEST POINT				
TP	1 2 3 4 5 9 10 12 15	SURFACE MOUNTED TERMINAL PIN	RCT0000DC	T1002596
QUARTZ				
Y	2	CRISTAL OSCILLATOR	VCXO-104 29.000MHZ	T1002434
INTEGRATED CIRCUIT				
Z	140 190	SURFACE MOUNTED INTEGR.CIRCUIT	74HC221 S016P -40+85	365123
Z	300	SURFACE MOUNTED INTEGR.CIRCUIT	74HC32 S014P -40+85	99142000
Z	200 220	SURFACE MOUNTED INTEGR.CIRCUIT	74HC74 S014P -40+85	99142001
Z	110 420	SURFACE MOUNTED INTEGR.CIRCUIT	74HC00 S014P -40+85	99142253
Z	210 310	SURFACE MOUNTED INTEGR.CIRCUIT	74HC86 S014P -40+85	99142998
Z	280	SURFACE MOUNTED INTEGR.CIRCUIT	MN53003XCU	T1000874
Z	240	SURFACE MOUNTED INTEGR.CIRCUIT	MN53020XXG1	T1002982
Z	410 500	SURFACE MOUNTED MICROPROCESSOR	68HC68P1 S016P -40+85 8BIT	T9000419
Z	150	SURFACE MOUNTED INTEGR.CIRCUIT	74HC4046 S016P -40+85	T9000577
Z	510	SURFACE MOUNTED INTEGR.CIRCUIT	74HC40103 S016P -40+85	T9001460
Z	430	SURFACE MOUNTED EEPROM	128X8/64X16 1 MHZ S08P -40+85	T9004829

< last page >

4A150300

SCHEMA

REF.	REFERENCE NUMBER	DESCRIPTION	VALUE	PART NO
CAPACITOR				
C	280 720	FIXED CAPACITOR	599 1C 476 XL1 47MF +-10% 16V	91583528
C	100 101 111 121 130 134 141 150 151 170 180 190	SURFACE MOUNTED CAPACITOR	CTC3A 1MF 20% 16V	99142711
	401 430 480 530 700 701 702 703 704 705 706 707			
	708 709 710			
C	152 153	FIXED CAPACITOR	037-50-229 22MF 20% 35V	T1002725
C	140	SURFACE MOUNTED CAPACITOR	CAC66 10 MF 20% 50V -40+105	T9000691
C	102 131 132 133 171	SURFACE MOUNTED CAPACITOR	CAC66 22 MF 20% 35V -40+105	T9000692
C	112 122 154 160 209 210 211 212 213 242 243 281	SURFACE MOUNTED CAPACITOR	CAC66 47 MF 20% 16V -40+105	T9000693
C	1	SURFACE MOUNTED CAPACITOR	CAC66 100 MF 20% 6.3V -40+105	T9000694
C	380 390	SURFACE MOUNTED CAPACITOR	CC0603-1CG-J 56 PF 5% 63V	T9000965
C	400 423 431 481 531	SURFACE MOUNTED CAPACITOR	CAC46 10MF 20% 16V -55+105	T9001328
C	203 204 205 206 207 208 233 234 235 236 237 238	SURFACE MOUNTED CAPACITOR	CTC3B 6.8MF 20% 10V	T9001366
	250 450 460			
C	110 120	SURFACE MOUNTED CAPACITOR	CTC3B 4.7MF 20% 16V	T9001370
C	440 490 540	SURFACE MOUNTED CAPACITOR	CC0805B-X7R 100 NF 10% 50V	T9004666
DIODE				
CR	380 390 420	SURFACE MOUNTED DIODE	BAS16 SOT23	99110304
CR	700 701 702 703 704 705 706 707 708 709 710	SURFACE MOUNTED DIODE	BZX84C5V1 SOT23 [22]	99111196
CR	202 203 204 232 233 234	SURFACE MOUNTED DIODE	BAW56 SOT23 [A1]	99111266
CR	130 150	SURFACE MOUNTED DIODE	BAV99 SOT23	99116852
CONNECTOR (FIXED)				
J	41A	NUT	ECROU H M1.6 U INOX.A4 PASSIVE	99059909
J	41B	SCREW	C M1.6X4 U INOX A2.70 PASS	99084621
J	41	SURFACE MOUNTED CONNECTOR	004862 (FMC-50S)	T1001950
J	40 50 60	SURFACE MOUNTED CONNECTOR	52103-1617 (EFC-16S)	T1002412
TRANSISTOR				
Q	390	SURFACE MOUNTED TRANSISTOR	BFR92A NPN SOT23 [P2]	91557752
Q	430 480 530	SURFACE MOUNTED TRANSISTOR	SO3904 NPN SOT23	99110321
Q	410	SURFACE MOUNTED TRANSISTOR	SO2894 PNP SOT23	99110324
Q	400	SURFACE MOUNTED TRANSISTOR	*O*SO2369A NPN SOT23	99110325
Q	380	SURFACE MOUNTED TRANSISTOR	BFT92 PNP SOT23 [W1]	99116854
Q	110 120 140 170	SURFACE MOUNTED TRANSISTOR	BCX19 NPN SOT23 [U1]	99123949
Q	160	SURFACE MOUNTED TRANSISTOR	BCX17 PNP SOT23 [T1]	99123957
RESISTOR				
R	10 11 12 13	SURFACE MOUNTED POTENTIOMETER	ST-3A 50 KOHMS 20%	T1002025
R	200 210 220 383 441 444 491 494 541 544	SURFACE MOUNTED RESISTOR	RR0603 0 OHM 1/16W K250	T9000877
R	401 730	SURFACE MOUNTED RESISTOR	%%RR0603 10 OHMS 5% 1/16W K250	T9000933
R	400 410	SURFACE MOUNTED RESISTOR	%%RR0603 33 OHMS 5% 1/16W K250	T9000945
R	600 602 604	SURFACE MOUNTED RESISTOR	%%RR0603 39 OHMS 5% 1/16W K250	T9000947
R	424	SURFACE MOUNTED RESISTOR	%%RR0603 3.6 KOHMS 5% 1/16W K	T9000991
R	431 481 531	SURFACE MOUNTED RESISTOR	%%RR0603 560 OHMS 5% 1/16W	T9001048
R	114	SURFACE MOUNTED RESISTOR	%%RR0603 13 KOHMS 5% 1/16W	T9001056
R	152	SURFACE MOUNTED RESISTOR	%%RR0603 20 KOHMS 5% 1/16W	T9001060
R	115 125	SURFACE MOUNTED RESISTOR	%%RR0603 27 KOHMS 5% 1/16W	T9001063
R	171	SURFACE MOUNTED RESISTOR	%%RR0603 33 KOHMS 5% 1/16W	T9001065
R	110 111 112	SURFACE MOUNTED RESISTOR	RC2211 100 OHMS 0.5% 1/5W K50	T9001137
R	120 121 122	SURFACE MOUNTED RESISTOR	RC2211 10 OHMS 1% 1/5W K50	T9001158
R	202 205 206 209 212 215 232 235 236 239 240 243	SURFACE MOUNTED RESISTOR	RC2211 4.7 OHMS 2% 1/5W K50	T9001168
	601 603 605			
R	215 246	SURFACE MOUNTED RESISTOR	RC2211 4.87 KOHM 0.5% 1/5W K50	T9001221
R	217 247	SURFACE MOUNTED RESISTOR	RC2211 1.82 KOHM 0.5% 1/5W K50	T9001398
R	100 101 124 130 132 150 151 430 432 480 482 530	SURFACE MOUNTED RESISTOR	RR0603 10 KOHM 1% 1/10W K100	T9005115
	532			
R	203 204 207 208 213 214 233 234 237 238 241 242	SURFACE MOUNTED RESISTOR	RR0603 100 KOHM 1% 1/10W K100	T9005116
	422			
R	450 451 452 453 454 455 460 461 462 463 464 465	SURFACE MOUNTED RESISTOR	RR0603 15 OHM 1% 1/10W K100	T9005118
	470 471 472 473 474 475			
R	390	SURFACE MOUNTED RESISTOR	RR0603 47.5 OHM 1% 1/10W K100	T9005124
R	391	SURFACE MOUNTED RESISTOR	RR0603 2.21KOHM 1% 1/10W K100	T9005137
R	423	SURFACE MOUNTED RESISTOR	RR0603 5.62KOHM 1% 1/10W K100	T9005147
R	113 123 131 140 160 170	SURFACE MOUNTED RESISTOR	RR0603 100 OHM 1% 1/10W K100	T9005153
R	700 701 702 703 704 705 706 707 708 709 710	SURFACE MOUNTED RESISTOR	RR0603 15 KOHM 1% 1/10W K100	T9005176
R	141 172	SURFACE MOUNTED RESISTOR	RR0603 22.1KOHM 1% 1/10W K100	T9005180
TEST POINT				
TP	1 2 3 4 5 6 7 8 9 10 11 12 13 14 15	SURFACE MOUNTED TERMINAL PIN	RCT00000C	T1002596
INTEGRATED CIRCUIT				
Z	440 490 540	SURFACE MOUNTED INTEGR.CIRCUIT	74AC08 S014P -40+85	364081
Z	200 210 220 555	SURFACE MOUNTED INTEGR.CIRCUIT	CXD1268M S020P DRIVER CCD	T1002961
Z	450 460 470	SURFACE MOUNTED INTEGR.CIRCUIT	74ACT04 S014P -40+85	T9000059
Z	100 130 150	SURFACE MOUNTED INTEGR.CIRCUIT	082 S08P -40+85	T9000867
Z	180 190	SURFACE MOUNTED INTEGR.CIRCUIT	4426 O+70 S0P8(.15)	T9001665

46150619CA

SCHEMA

REF.	REFERENCE NUMBER	DESCRIPTION	VALUE	PART NO
CAPACITOR				
C	83 102 361 373 661 673	SURFACE MOUNTED ADJUST.CAPA	ECR-JA006A11 (2.5/6 PF 100V)	91612112
C	70 320 370 430 570	SURFACE MOUNTED CAPACITOR	CTC3A 1MF 20% 16V	99142711
C	40 80 100 340 380 400 440 450 640 680 700	SURFACE MOUNTED CAPACITOR	CC0603-1CG-J 22 PF 5% 63V	T9000961
C	190 191 490 491 790 791	SURFACE MOUNTED CAPACITOR	CC0603-1CG-J 68 PF 5% 63V	T9000966
C	101 372 672	SURFACE MOUNTED CAPACITOR	CC0603-1CG-J 1.5PF+-0.25PF 63V	T9000973
C	82 360 660	SURFACE MOUNTED CAPACITOR	CC0603-1CG-J 2.2PF+-0.25PF 63V	T9000974
C	41 341 641	SURFACE MOUNTED CAPACITOR	CC0603-1CG-J 8.2PF+-0.25PF 63V	T9000978
C	71 371 431 620 671	SURFACE MOUNTED CAPACITOR	CC0603-2C1 10NF 10% 63V	T9001016
C	200 310 600	SURFACE MOUNTED CAPACITOR	CTC3D 22MF 20% 16V	T9001718
C	1 2 3 4 5 6 90	SURFACE MOUNTED CAPACITOR	CTC3D 68UF 20% 16V	T9003349
C	500 501	SURFACE MOUNTED CAPACITOR	CTC3E 100UF 10% 16V TANTALE	T9004239
C	103 451 701	SURFACE MOUNTED ADJUST.CAPA	ECR-JA050M (8.5/50PF 100V)	T9004246
C	30 42 60 163 164 330 420 463 464 630 642 662 763	SURFACE MOUNTED CAPACITOR	CC0805B-X7R 100 NF 10% 50V	T9004666
	764 1000 1010 1020			
DIODE				
CR	70 320 370 430 570	SURFACE MOUNTED DIODE	BAS16 SOT23	99110304
CR	10 100 310 610 1310 1610	SURFACE MOUNTED DIODE	BAV99 SOT23	99116852
DELAY LINE				
DL	1 2 3	SURFACE MOUNTED DELAY LINE	DPI S14-GW 40NS 220 OHMS	T1002112
CONNECTOR (FIXED)				
J	31 32 33	SURFACE MOUNTED CONNECTOR	52103-0417 (EFC-4S)	T1002087
J	34	SURFACE MOUNTED CONNECTOR	52103-0817 (EFC-8S)	T1002088
INDUCTOR				
L	190 191 490 491 790 791	SURFACE MOUNTED INDUCTOR	LC1812 1.8 MICROHENRY 10%	T9001178
L	1 2	SURFACE MOUNTED INDUCTOR	LC2220 22 UH 10% (DRO9)	T9001335
CONNECTOR (MOBILE)				
P	35	SURFACE MOUNTED CONNECTOR	SMC-B-50-M-AB-CL-107	T1002997
TRANSISTOR				
Q	40 80 100 340 380 400 440 450 640 680 700	SURFACE MOUNTED TRANSISTOR	SST309 NPN SOT23	91688015
Q	50 350 390 410 650	SURFACE MOUNTED TRANSISTOR	S03904 NPN SOT23	99110321
Q	10 30 310 330 610 630	SURFACE MOUNTED TRANSISTOR	S03906 PNP SOT23	99110322
Q	20 60 70 320 360 370 420 430 620 660 670	SURFACE MOUNTED TRANSISTOR	BSD22 FET SOT143 [M32]	T1000318
RESISTOR				
R	6	SURFACE MOUNTED POTENTIOMETER	ST-4B 5 KOHMS 20%	91619672
R	3	SURFACE MOUNTED POTENTIOMETER	ST-4B 2 KOHMS 20%	91619677
R	9	SURFACE MOUNTED POTENTIOMETER	ST-4B 500 OHMS 20%	91620902
R	2 5 8	SURFACE MOUNTED POTENTIOMETER	ST-3A 20 KOHMS 20%	T1002026
R	1 4 7	SURFACE MOUNTED POTENTIOMETER	ST-3A 200 OHMS 20%	T1002049
R	14 101 170 316 452 470 614 701 770	SURFACE MOUNTED RESISTOR	RR0603 0 OHM 1/16W K250	T9000877
R	1000 1010 1020	SURFACE MOUNTED RESISTOR	***RR0603 10 OHMS 5%1/16W K250	T9000933
R	191 491 791 1002 1005 1006 1007 1012 1013 1016	SURFACE MOUNTED RESISTOR	***RR0603 33 OHMS 5%1/16W K250	T9000945
R	1017			
R	778	SURFACE MOUNTED RESISTOR	***RR0603 75 OHMS 5%1/16W K250	T9000954
R	161 461 761	SURFACE MOUNTED RESISTOR	***RR0603 1.2 KOHM 5%1/16WK250	T9000980
R	50 350 390 410 650	SURFACE MOUNTED RESISTOR	***RR0603 3 KOHMS 5% 1/16W K	T9000989
R	164 464 764	SURFACE MOUNTED RESISTOR	***RR0603 3.6 KOHMS 5% 1/16W K	T9000991
R	11 311 611	SURFACE MOUNTED RESISTOR	***RR0603 150 OHMS 5% 1/16W	T9001034
R	500 501	SURFACE MOUNTED RESISTOR	***RR0603 470 OHMS 5% 1/16W	T9001046
R	179 479	SURFACE MOUNTED RESISTOR	***RR0603 510 OHMS 5% 1/16W	T9001047
R	160 460 760	SURFACE MOUNTED RESISTOR	***RR0603 910 OHMS 5% 1/16W	T9001053
R	177 477 777	SURFACE MOUNTED RESISTOR	***RR0603 75 KOHMS 5% 1/16W	T9001074
R	315	SURFACE MOUNTED RESISTOR	***RR0603 120 KOHMS 5% 1/16W	T9001078
R	71 371 431 671	SURFACE MOUNTED RESISTOR	***RR0603 180 KOHMS 5% 1/16W	T9001082
R	73 320 373 433 673	SURFACE MOUNTED RESISTOR	***RR0603 390 KOHMS 5% 1/16W	T9001090
R	180 480 780	SURFACE MOUNTED RESISTOR	RC2211 75 OHMS 0.5% 1/5W K50	T9001105
R	163 190 463 490 763 779 790	SURFACE MOUNTED RESISTOR	RR0603 1 KOHM 1% 1/10W K100	T9005114
R	91 802 1004 1011 1014	SURFACE MOUNTED RESISTOR	RR0603 10 KOHM 1% 1/10W K100	T9005115
R	1001 1003 1015 1021	SURFACE MOUNTED RESISTOR	RR0603 100 KOHM 1% 1/10W K100	T9005116
R	81 103 441 453 681 703	SURFACE MOUNTED RESISTOR	RR0603 47.5 OHM 1% 1/10W K100	T9005124
R	165 465 765	SURFACE MOUNTED RESISTOR	RR0603 1.5 KOHM 1% 1/10W K100	T9005133
R	12 30 41 80 100 312 330 341 380 400 440 450 612	SURFACE MOUNTED RESISTOR	RR0603 2 KOHM 1% 1/10W K100	T9005136
	630 641 680 700			
R	13 31 40 313 331 340 381 401 613 631 640	SURFACE MOUNTED RESISTOR	RR0603 100 OHM 1% 1/10W K100	T9005153
R	166 174 178 466 474 478 766 774	SURFACE MOUNTED RESISTOR	RR0603 221 OHM 1% 1/10W K100	T9005157
R	10 310 610	SURFACE MOUNTED RESISTOR	RR0603 15 KOHM 1% 1/10W K100	T9005176
R	72 322 372 432 672	SURFACE MOUNTED RESISTOR	RR0603 47.5 KOHM 1% 1/10W K100	T9005188
R	200	SURFACE MOUNTED RESISTOR	RR0603 475 KOHM 1% 1/10W K100	T9005208
TEST POINT				
TP	1 2 3 4 5 6 7 8 9 10 11 12 13 14 15 16 17 18 19	SURFACE MOUNTED TERMINAL PIN	RCT00000C	T1002596
	20			
INTEGRATED CIRCUIT				
Z	1000 1010	SURFACE MOUNTED INTEGR.CIRCUIT	74AC08 S014P -40+85	364081
Z	200 400 600	SURFACE MOUNTED INTEGR.CIRCUIT	*M*74HC4053 S016P -40+85	99137357
Z	160 460 760	SURFACE MOUNTED INTEGR.CIRCUIT	LT1229CS8 S08P 0+70	T1001991
Z	1020	SURFACE MOUNTED INTEGR.CIRCUIT	74AC04 S014P -40+85	T9001464

< last page >

4A032649AA

SCHEMA

REF.	REFERENCE NUMBER	DESCRIPTION	VALUE	PART NO
CAPACITOR				
C	104 105	SURFACE MOUNTED CAPACITOR	CTC3B 2.2MF 20% 20V DOC.	96103241
C	1	SURFACE MOUNTED CAPACITOR	CTC3D 22MF 20% 20V	T9003002
C	2 110 111	SURFACE MOUNTED CAPACITOR	CTC3C 10UF 20% 16V POLARISE	T9003419
C	100 101 102 103 106	SURFACE MOUNTED CAPACITOR	CC0805B-X7R 100 NF 10% 50V	T9004666
CONNECTOR (FIXED)				
J	2	SURFACE MOUNTED CONNECTOR	52103-0417 (EFC-4S)	T1002087
J	1	SURFACE MOUNTED CONNECTOR	52103-1617 (EFC-16S)	T1002412
TRANSISTOR				
Q	110	SURFACE MOUNTED TRANSISTOR	S03904 NPN SOT23	99110321
Q	120	SURFACE MOUNTED TRANSISTOR	BF569 PNP [L6] [LH]	99123887
Q	130	SURFACE MOUNTED TRANSISTOR	BFS20 NPN SOT23 [G1]	99123959
RESISTOR				
R	105	SURFACE MOUNTED RESISTOR	***RR0603 8.2 KOHMS 5% 1/16W K	T9001000
R	130	SURFACE MOUNTED RESISTOR	**RR0603 390 OHMS 5% 1/16W	T9001044
R	121	SURFACE MOUNTED RESISTOR	***RR0603 470 OHMS 5% 1/16W	T9001046
R	106	SURFACE MOUNTED RESISTOR	***RR0603 12 KOHMS 5% 1/16W	T9001055
R	131	SURFACE MOUNTED RESISTOR	RC2211 4.7 OHMS 2% 1/5W K50	T9001168
R	108	SURFACE MOUNTED RESISTOR	RR0603 1 KOHM 1% 1/10W K100	T9005114
R	107	SURFACE MOUNTED RESISTOR	RR0603 10 KOHM 1% 1/10W K100	T9005115
R	100 101 102 103 120	SURFACE MOUNTED RESISTOR	RR0603 47.5 OHM 1% 1/10W K100	T9005124
R	132	SURFACE MOUNTED RESISTOR	RR0603 68.1 OHM 1% 1/10W K100	T9005127
R	110	SURFACE MOUNTED RESISTOR	RR0603 3.32KOHM 1% 1/10W K100	T9005141
R	113	SURFACE MOUNTED RESISTOR	RR0603 681 OHM 1% 1/10W K100	T9005169
R	104 111	SURFACE MOUNTED RESISTOR	RR0603 47.5KOHM 1% 1/10W K100	T9005188
INTEGRATED CIRCUIT				
Z	100A 100B	IC SOCKET	SC2S64Y1B {BARRETTE FEMELLE}	T9000353 < last page >

4A032304AA

SCHEMA

REF.	REFERENCE NUMBER	DESCRIPTION	VALUE	PART NO
CAPACITOR				
C	104 105	SURFACE MOUNTED CAPACITOR	CTC3B 2.2MF 20% 20V DOC.	96103241
C	1	SURFACE MOUNTED CAPACITOR	CTC3D 22MF 20% 20V	T9003002
C	2 110 111	SURFACE MOUNTED CAPACITOR	CTC3C 10UF 20% 16V POLARISE	T9003419
C	100 101 102 103 106	SURFACE MOUNTED CAPACITOR	CC0805B-K7R 100 NF 10% 50V	T9004666
CONNECTOR (FIXED)				
J	2	SURFACE MOUNTED CONNECTOR	52103-0417 (EFC-4S)	T1002087
J	1	SURFACE MOUNTED CONNECTOR	52103-1617 (EFC-16S)	T1002412
TRANSISTOR				
Q	110	SURFACE MOUNTED TRANSISTOR	S03904 NPN SOT23	99110321
Q	120	SURFACE MOUNTED TRANSISTOR	BFS69 PNP [L6] [LH]	99123887
Q	130	SURFACE MOUNTED TRANSISTOR	BFS20 NPN SOT23 [G1]	99123959
RESISTOR				
R	105	SURFACE MOUNTED RESISTOR	***RR0603 8,2 KOHMS 5% 1/16W K	T9001000
R	121	SURFACE MOUNTED RESISTOR	***RR0603 470 OHMS 5% 1/16W	T9001046
R	106	SURFACE MOUNTED RESISTOR	***RR0603 12 KOHMS 5% 1/16W	T9001055
R	131	SURFACE MOUNTED RESISTOR	RC2211 4,7 OHMS 2% 1/5W K50	T9001168
R	108	SURFACE MOUNTED RESISTOR	RR0603 1 KOHM 1% 1/10W K100	T9005114
R	107	SURFACE MOUNTED RESISTOR	RR0603 10 KOHM 1% 1/10W K100	T9005115
R	100 101 102 103 120	SURFACE MOUNTED RESISTOR	RR0603 47,5 OHM 1% 1/10W K100	T9005124
R	132	SURFACE MOUNTED RESISTOR	RR0603 68,1 OHM 1% 1/10W K100	T9005127
R	110	SURFACE MOUNTED RESISTOR	RR0603 3,32KOHM 1% 1/10W K100	T9005141
R	113 130	SURFACE MOUNTED RESISTOR	RR0603 681 OHM 1% 1/10W K100	T9005169
R	104 111	SURFACE MOUNTED RESISTOR	RR0603 47,5KOHM 1% 1/10W K100	T9005188
INTEGRATED CIRCUIT				
Z	100A 100B	IC SOCKET	SC2S64Y1B (BARRETTE FEMELLE)	T9000353

< last page >

REF.	REFERENCE NUMBER	DESCRIPTION	VALUE	PART NO
CAPACITOR				
C	112	SURFACE MOUNTED CAPACITOR	CAC66 4.7 MF 20% 50V -40+105	T9000690
C	240 281	SURFACE MOUNTED CAPACITOR	CAC66 100 MF 20% 6.3V -40+105	T9000694
C	452	FIXED CAPACITOR	CTS49-2 47 MF +-10% 10V	T9000700
C	143 191 192 215	SURFACE MOUNTED CAPACITOR	CC0603-1CG-J 100 PF 5% 63V	T9000870
C	212 214 520	SURFACE MOUNTED CAPACITOR	CC0603-1CG-J 220 PF 5% 63V	T9000871
C	211 213	SURFACE MOUNTED CAPACITOR	CC0603-1CG-J 22 PF 5% 63V	T9000961
C	301	SURFACE MOUNTED CAPACITOR	CC0603-1CG-J 47 PF 5% 63V	T9000964
C	141 142	SURFACE MOUNTED CAPACITOR	CC0603-1CG-J 150 PF 5% 63V	T9000969
C	101 119	SURFACE MOUNTED CAPACITOR	CC0603-2C1 10NF 10% 63V	T9001016
C	113	SURFACE MOUNTED CAPACITOR	CAC46 10MF 20% 16V -55+105	T9001328
C	1	SURFACE MOUNTED CAPACITOR	CTC3D 22MF 20% 20V	T9003002
C	2 5 242 283 440 450	SURFACE MOUNTED CAPACITOR	CTC3D 33MF 20% 10V	T9003283
C	3 4 6 453	SURFACE MOUNTED CAPACITOR	CTC3D 68UF 20% 16V	T9003349
C	114 140 150 190 210 241 282 300 310 410 441 451	SURFACE MOUNTED CAPACITOR	CC0805B-X7R 100 NF 10% 50V	T9004666
	510			
CONNECTOR (FIXED)				
J	30A 31A	NUT	ECROU H M1.6 U INOX.A4 PASSIVE	99059909
J	30B 31B	SCREW	C M1.6X4 U INOX A2.70 PASS	99084621
J	30 31	SURFACE MOUNTED CONNECTOR	004861 (EFD-50S)	T1001949
J	32 33	SURFACE MOUNTED CONNECTOR	52103-1617 (EFC-16S)	T1002412
INDUCTOR				
L	240 280	SURFACE MOUNTED INDUCTOR	LC1812 2.7 UH 10% -40+85	T9001005
L	1 2 3 4	SURFACE MOUNTED INDUCTOR	LC2220 4.7UH 10% (0R11)	T9001334
TRANSISTOR				
Q	520	SURFACE MOUNTED TRANSISTOR	S03904 NPN SOT23	99110321
RESISTOR				
R	113 244 245 248 249 251 261 262 263 264 307	SURFACE MOUNTED RESISTOR	RR0603 0 OHM 1/16W K250	T9000877
R	112	SURFACE MOUNTED RESISTOR	%%RR0603 10 OHMS 5% 1/16W K250	T9000933
R	140	SURFACE MOUNTED RESISTOR	%%RR0603 13 KOHMS 5% 1/16W	T9001056
R	109	SURFACE MOUNTED RESISTOR	%%RR0603 180 KOHMS 5% 1/16W	T9001082
R	520	SURFACE MOUNTED RESISTOR	RR0603 1 KOHM 1% 1/10W K100	T9005114
R	141 190 191 247 250 522	SURFACE MOUNTED RESISTOR	RR0603 10 KOHM 1% 1/10W K100	T9005115
R	280 420 421 430 521	SURFACE MOUNTED RESISTOR	RR0603 100 KOHM 1% 1/10W K100	T9005116
R	281 282 283 301 305	SURFACE MOUNTED RESISTOR	RR0603 15 OHM 1% 1/10W K100	T9005118
R	114	SURFACE MOUNTED RESISTOR	RR0603 5.62KOHM 1% 1/10W K100	T9005147
R	142 212 257 258 259 260 269 270 300 440 441 442	SURFACE MOUNTED RESISTOR	RR0603 100 OHM 1% 1/10W K100	T9005153
	443 445 446 447			
R	210 211 304	SURFACE MOUNTED RESISTOR	RR0603 221 OHM 1% 1/10W K100	T9005157
R	120 240 241 242	SURFACE MOUNTED RESISTOR	RR0603 475 KOHM 1% 1/10W K100	T9005208
TEST POINT				
TP	1 2 3 4 5 9 10 12 15	SURFACE MOUNTED TERMINAL PIN	RCT00000C	T1002596
QUARTZ				
Y	2	CRISTAL OSCILLATOR	VCXO 28.63636MHZ -40+85 50PPM	T9003364
INTEGRATED CIRCUIT				
Z	140 190	SURFACE MOUNTED INTEGR.CIRCUIT	74HC221 SO16P -40+85	365123
Z	300	SURFACE MOUNTED INTEGR.CIRCUIT	74HC32 SO14P -40+85	99142000
Z	200 220	SURFACE MOUNTED INTEGR.CIRCUIT	74HC74 SO14P -40+85	99142001
Z	110 420	SURFACE MOUNTED INTEGR.CIRCUIT	74HC00 SO14P -40+85	99142253
Z	210 310	SURFACE MOUNTED INTEGR.CIRCUIT	74HC86 SO14P -40+85	99142998
Z	280	SURFACE MOUNTED INTEGR.CIRCUIT	MN53003XCU	T1000874
Z	240	SURFACE MOUNTED INTEGR.CIRCUIT	MN53020XXG1	T1002982
Z	410 500	SURFACE MOUNTED MICROPROCESSOR	68HC68P1 SO16P -40+85 8BIT	T9000419
Z	150	SURFACE MOUNTED INTEGR.CIRCUIT	74HC4046 SO16P -40+85	T9000577
Z	510	SURFACE MOUNTED INTEGR.CIRCUIT	74HC40103 SO16P -40+85	T9001460
Z	430	SURFACE MOUNTED EEPROM	128X8/64X16 1 MHZ S08P -40+85	T9004829

47032975

SCHEMA

REF.	REFERENCE NUMBER	DESCRIPTION	VALUE	PART NO
CAPACITOR				
C	280 720	FIXED CAPACITOR	S99 1C 476 K11 47MF +-10% 16V	91583528
C	100 101 111 121 130 134 141 150 151 170 180 190	SURFACE MOUNTED CAPACITOR	CTC3A 1MF 20% 16V	99142711
	401 430 480 530 700 701 702 703 704 705 706 707			
	708 709 710			
C	152 153	FIXED CAPACITOR	037-50-229 22MF 20% 35V	T1002725
C	140	SURFACE MOUNTED CAPACITOR	CAC66 10 MF 20% 50V -40+105	T9000691
C	102 131 132 133 171	SURFACE MOUNTED CAPACITOR	CAC66 22 MF 20% 35V -40+105	T9000692
C	112 122 154 160 209 210 211 212 213 242 243 281	SURFACE MOUNTED CAPACITOR	CAC66 47 MF 20% 16V -40+105	T9000693
C	1	SURFACE MOUNTED CAPACITOR	CAC66 100 MF 20% 6.3V -40+105	T9000694
C	380 390	SURFACE MOUNTED CAPACITOR	CC0603-1CG-J 56 PF 5% 63V	T9000965
C	400 423 431 481 531	SURFACE MOUNTED CAPACITOR	CAC46 10MF 20% 16V -55+105	T9001328
C	203 204 205 206 207 208 233 234 235 236 237 238	SURFACE MOUNTED CAPACITOR	CTC3B 6.8MF 20% 10V	T9001366
	250 450 460			
C	110 120	SURFACE MOUNTED CAPACITOR	CTC3B 4.7MF 20% 16V	T9001370
C	440 490 540	SURFACE MOUNTED CAPACITOR	CC0805B-X7R 100 NF 10% 50V	T9004666
DIODE				
CR	380 390 420	SURFACE MOUNTED DIODE	BAS16 SOT23	99110304
CR	700 701 702 703 704 705 706 707 708 709 710	SURFACE MOUNTED DIODE	BZX84C5V1 SOT23 [22]	99111196
CR	202 203 204 232 233 234	SURFACE MOUNTED DIODE	BAW56 SOT23 [A1]	99111266
CR	130 150	SURFACE MOUNTED DIODE	BAV99 SOT23	99116852
CONNECTOR (FIXED)				
J	41A	NUT	ECROU H M1.6 U INOX.A4 PASSIVE	99059909
J	41B	SCREW	C M1.6X4 U INOX A2.70 PASS	99084621
J	41	SURFACE MOUNTED CONNECTOR	004862 (FMC-50S)	T1001950
J	40 50 60	SURFACE MOUNTED CONNECTOR	52103-1617 (EFC-16S)	T1002412
TRANSISTOR				
Q	390	SURFACE MOUNTED TRANSISTOR	BFR92A NPN SOT23 [P2]	91557752
Q	430 480 530	SURFACE MOUNTED TRANSISTOR	SO3904 NPN SOT23	99110321
Q	410	SURFACE MOUNTED TRANSISTOR	SO2894 PNP SOT23	99110324
Q	400	SURFACE MOUNTED TRANSISTOR	*O*SO2369A NPNSOT23	99110325
Q	380	SURFACE MOUNTED TRANSISTOR	BFT92 PNP SOT23 [W1]	99116854
Q	110 120 140 170	SURFACE MOUNTED TRANSISTOR	BCX19 NPN SOT23 [U1]	99123949
Q	160	SURFACE MOUNTED TRANSISTOR	BCX17 PNP SOT23 [T1]	99123957
RESISTOR				
R	10 11 12 13	SURFACE MOUNTED POTENTIOMETER	ST-3A 50 KOHMS 20%	T1002025
R	201 211 221 383 441 444 491 494 541 544	SURFACE MOUNTED RESISTOR	RR0603 0 OHM	T9000877
R	401 730	SURFACE MOUNTED RESISTOR	%%RR0603 10 OHMS 5%1/16W K250	T9000933
R	400 410	SURFACE MOUNTED RESISTOR	%%RR0603 33 OHMS 5%1/16W K250	T9000945
R	600 602 604	SURFACE MOUNTED RESISTOR	%%RR0603 39 OHMS 5%1/16W K250	T9000947
R	424	SURFACE MOUNTED RESISTOR	%%RR0603 3.6 KOHMS 5% 1/16W K	T9000991
R	124	SURFACE MOUNTED RESISTOR	%%RR0603 6.2 KOHMS 5% 1/16W K	T9000997
R	431 481 531	SURFACE MOUNTED RESISTOR	%%RR0603 560 OHMS 5% 1/16W	T9001048
R	114	SURFACE MOUNTED RESISTOR	%%RR0603 13 KOHMS 5% 1/16W	T9001056
R	152	SURFACE MOUNTED RESISTOR	%%RR0603 20 KOHMS 5% 1/16W	T9001060
R	115 125	SURFACE MOUNTED RESISTOR	%%RR0603 27 KOHMS 5% 1/16W	T9001063
R	171	SURFACE MOUNTED RESISTOR	%%RR0603 33 KOHMS 5% 1/16W	T9001065
R	110 111 112	SURFACE MOUNTED RESISTOR	RC2211 100 OHMS 0.5% 1/5W K50	T9001137
R	120 121 122	SURFACE MOUNTED RESISTOR	RC2211 10 OHMS 1% 1/5W K50	T9001158
R	202 205 206 209 212 215 232 235 236 239 240 243	SURFACE MOUNTED RESISTOR	RC2211 4.7 OHMS 2% 1/5W K50	T9001168
	601 603 605			
R	216 246	SURFACE MOUNTED RESISTOR	RC2211 4.87 KOHM 0.5% 1/5W K50	T9001221
R	217 247	SURFACE MOUNTED RESISTOR	RC2211 1.82 KOHM 0.5% 1/5W K50	T9001398
R	100 101 130 132 150 151 430 432 480 482 530 532	SURFACE MOUNTED RESISTOR	RR0603 10 KOHM 1% 1/10W K100	T9005115
R	203 204 207 208 213 214 233 234 237 238 241 242	SURFACE MOUNTED RESISTOR	RR0603 100 KOHM 1% 1/10W K100	T9005116
	422			
R	450 451 452 453 454 455 460 461 462 463 464 465	SURFACE MOUNTED RESISTOR	RR0603 15 OHM 1% 1/10W K100	T9005118
	470 471 472 473 474 475			
R	390	SURFACE MOUNTED RESISTOR	RR0603 47.5 OHM 1% 1/10W K100	T9005124
R	391	SURFACE MOUNTED RESISTOR	RR0603 2.21KOHM 1% 1/10W K100	T9005137
R	423	SURFACE MOUNTED RESISTOR	RR0603 5.62KOHM 1% 1/10W K100	T9005147
R	113 123 131 140 160 170	SURFACE MOUNTED RESISTOR	RR0603 100 OHM 1% 1/10W K100	T9005153
R	700 701 702 703 704 705 706 707 708 709 710	SURFACE MOUNTED RESISTOR	RR0603 15 KOHM 1% 1/10W K100	T9005176
R	141 172	SURFACE MOUNTED RESISTOR	RR0603 22.1KOHM 1% 1/10W K100	T9005180
TEST POINT				
TP	1 2 3 4 5 6 7 8 9 10 11 12 13 14 15	SURFACE MOUNTED TERMINAL PIN	RCT00000C	T1002596
INTEGRATED CIRCUIT				
Z	440 490 540	SURFACE MOUNTED INTEGR.CIRCUIT	74AC08 S014P -40+85	364081
Z	200 210 220 555	SURFACE MOUNTED INTEGR.CIRCUIT	CXD1268M S020P DRIVER CCD	T1002961
Z	450 460 470	SURFACE MOUNTED INTEGR.CIRCUIT	74ACT04 S014P -40+85	T9000059
Z	100 130 150	SURFACE MOUNTED INTEGR.CIRCUIT	082 S08P -40+85	T9000867
Z	180 190	SURFACE MOUNTED INTEGR.CIRCUIT	4426 0+70 S0P8(.15)	T9001665

4B033255AA

SCHEMA

REF.	REFERENCE NUMBER	DESCRIPTION	VALUE	PART NO
CAPACITOR				
C	100	SURFACE MOUNTED CAPACITOR	CTC3B 4.7MF 20% 10V DOC.	96103240
C	151 453	SURFACE MOUNTED CAPACITOR	CTC3A 1MF 20% 16V	99142711
C	454	SURFACE MOUNTED CAPACITOR	CC0805B-1CG 220 PF 5% 100V	99187396
C	211	SURFACE MOUNTED CAPACITOR	CAC66 10 MF 20% 50V -40+105	T9000691
C	420 430	SURFACE MOUNTED CAPACITOR	CAC66 22 MF 20% 35V -40+105	T9000692
C	15 18 19 24 212 213 280	SURFACE MOUNTED CAPACITOR	CAC66 47 MF 20% 16V -40+105	T9000693
C	20 21	SURFACE MOUNTED CAPACITOR	CAC66 100 MF 20% 6.3V -40+105	T9000694
C	103 110	SURFACE MOUNTED CAPACITOR	CC0603-1CG-J 10 PF 5% 63V	T9000869
C	452 600	SURFACE MOUNTED CAPACITOR	CC0603-1CG-J 100 PF 5% 63V	T9000870
C	202 203 205 206	SURFACE MOUNTED CAPACITOR	CC0603-1CG-J 220 PF 5% 63V	T9000871
C	111	SURFACE MOUNTED CAPACITOR	CC0603-1CG-J 15 PF 5% 63V	T9000959
C	215	SURFACE MOUNTED CAPACITOR	CC0603-1CG-J 18 PF 5% 63V	T9000960
C	201 204	SURFACE MOUNTED CAPACITOR	CC0603-1CG-J 22 PF 5% 63V	T9000961
C	602	SURFACE MOUNTED CAPACITOR	CC0603-1CG-J 39 PF 5% 63V	T9000963
C	451	SURFACE MOUNTED CAPACITOR	CC0603-1CG-J 150 PF 5% 63V	T9000969
C	112	SURFACE MOUNTED CAPACITOR	CC0603-1CG-J 390 PF 5% 63V	T9000971
C	105 106	SURFACE MOUNTED CAPACITOR	CC0603-1CG-J 8.2PF+-0.25PF 63V	T9000978
C	214 217 218 219 220 221	SURFACE MOUNTED CAPACITOR	CC0603-1CG-J 27 PF 5% 63V	T9001179
C	210	SURFACE MOUNTED CAPACITOR	CTC3B 6.8MF 20% 10V	T9001366
C	101 102 104 120 150 200 300 410 421 431 450 470 500 510	SURFACE MOUNTED CAPACITOR	CC0805B-X7R 100 NF 10% 50V	T9004666
DIODE				
CR	450	SURFACE MOUNTED DIODE	BAS16 SOT23	99110304
CR	600	SURFACE MOUNTED DIODE	BAR18 SOT23 [D76]	99123948
CR	100 101	SURFACE MOUNTED DIODE	BBY31 SOT23 [S1]	T1001594
CONNECTOR (FIXED)				
J	30A 31A	NUT	ECROU H M1.6 U INOX A4 PASSIVE	99059909
J	30B 31B	SCREW	C M1.6X4 U INOX A2.70 PASS	99084621
J	30 31	SURFACE MOUNTED CONNECTOR	004861 (EPD-50S)	T1001949
J	32 33	SURFACE MOUNTED CONNECTOR	52103-1617 (EFC-16S)	T1002412
INDUCTOR				
L	102	SURFACE MOUNTED INDUCTOR	E558CNA-100036 (79NH)	T1002677
L	100 101 110	INDUCTOR	TR021 3.3 MICROHENRYS 2%	T9000502
L	120 150 210	SURFACE MOUNTED INDUCTOR	LC1812 2.7 UH 10% -40+85	T9001005
L	16 17 18	SURFACE MOUNTED INDUCTOR	LC2220 4.7UH 10% (OR11)	T9001334
TRANSISTOR				
Q	110	SURFACE MOUNTED TRANSISTOR	SST309 NFET SOT23	91688015
RESISTOR				
R	16	SURFACE MOUNTED POTENTIOMETER	ST-3A 5 KOHMS 20%	T1002027
R	12 13	SURFACE MOUNTED POTENTIOMETER	ST-3A 500 OHMS 20%	T1002085
R	210 212 213 215 219 222 228 230 236 243 405 480	SURFACE MOUNTED RESISTOR	RR0603 0 OHM 1/16W K250	T9000877
R	102	SURFACE MOUNTED RESISTOR	%%RR0603 10 OHMS 5% 1/16W K250	T9000933
R	101	SURFACE MOUNTED RESISTOR	%%RR0603 2.7 KOHMS 5% 1/16W K	T9000988
R	110	SURFACE MOUNTED RESISTOR	%%RR0603 300 OHMS 5% 1/16W	T9001041
R	240 241 242	SURFACE MOUNTED RESISTOR	%%RR0603 470 OHMS 5% 1/16W	T9001046
R	451	SURFACE MOUNTED RESISTOR	%%RR0603 12 KOHMS 5% 1/16W	T9001055
R	120	SURFACE MOUNTED RESISTOR	%%RR0603 20 KOHMS 5% 1/16W	T9001060
R	452	SURFACE MOUNTED RESISTOR	RR0603 1 KOHM 1% 1/10W K100	T9005114
R	601 602	SURFACE MOUNTED RESISTOR	RR0603 10 KOHM 1% 1/10W K100	T9005115
R	150 411 412 430 431 432 433 454	SURFACE MOUNTED RESISTOR	RR0603 100 KOHM 1% 1/10W K100	T9005116
R	123 267 268 269 270 271 272	SURFACE MOUNTED RESISTOR	RR0603 47.5 OHM 1% 1/10W K100	T9005124
R	201 203	SURFACE MOUNTED RESISTOR	RR0603 2 KOHM 1% 1/10W K100	T9005136
R	160 217 223 224 225 226 227 233 234 235 251 252 253 254 255 256 257 258 259 260 261 262 265 266 273 300 420 421 422 423 425 426 427 453 600	SURFACE MOUNTED RESISTOR	RR0603 100 OHM 1% 1/10W K100	T9005153
R	200 202	SURFACE MOUNTED RESISTOR	RR0603 221 OHM 1% 1/10W K100	T9005157
R	455	SURFACE MOUNTED RESISTOR	RR0603 47.5KOHM 1% 1/10W K100	T9005188
TEST POINT				
TP	1 2 3 4 5 6 7 8 9 10 11 12 13 17	SURFACE MOUNTED TERMINAL PIN	RCT00000C	T1002596
INTEGRATED CIRCUIT				
Z	200 450	SURFACE MOUNTED INTEGR. CIRCUIT	74HC221 S016P -40+85	365123
Z	300 410 470 510	SURFACE MOUNTED INTEGR. CIRCUIT	74HC74 S014P -40+85	99142001
Z	500	SURFACE MOUNTED INTEGR. CIRCUIT	74HC86 S014P -40+85	99142998
Z	210	SURFACE MOUNTED INTEGR. CIRCUIT	MN5218 QF128	T1002923
Z	600	SURFACE MOUNTED INTEGR. CIRCUIT	SN74HC08D S014P -40+85	T1005659
Z	120 480	SURFACE MOUNTED INTEGR. CIRCUIT	74AC04 S014P -40+85	T9001464
Z	150	SURFACE MOUNTED INTEGR. CIRCUIT	74AC109 S016P -40+85	T9001535
Z	400	SURFACE MOUNTED EEPROM	1KX16/2KX8 1MHZ 3MA S08P-40+85	T9001604

4A150394

SCHEMA

REF.	REFERENCE NUMBER	DESCRIPTION	VALUE	PART NO
CAPACITOR				
C	402	SURFACE MOUNTED CAPACITOR	CTC3B 2.2MF 20% 20V DOC.	96103241
C	100 101 111 121 130 134 141 150 151 170 430 480	SURFACE MOUNTED CAPACITOR	CTC3A 1MF 20% 16V	99142711
	530 700 701 702 703 704 705 706 707 708 709 710			
	711 712			
C	140	SURFACE MOUNTED CAPACITOR	CAC66 10 MF 20% 50V -40+105	T9000691
C	102 131 132 133 152 153 171 482	SURFACE MOUNTED CAPACITOR	CAC66 22 MF 20% 35V -40+105	T9000692
C	3 112 122 154 160 190 200 201 212 222 242 291	SURFACE MOUNTED CAPACITOR	CAC66 47 MF 20% 16V -40+105	T9000693
C	1 2	SURFACE MOUNTED CAPACITOR	CAC66 100 MF 20% 6.3V -40+105	T9000694
C	380 390	SURFACE MOUNTED CAPACITOR	CC0603-1CG-J 56 PF 5% 63V	T9000965
C	400 431 481 531	SURFACE MOUNTED CAPACITOR	CAC46 10MF 20% 16V -55+105	T9001328
C	203 204 205 206 207 208 233 234 235 236 237 238	SURFACE MOUNTED CAPACITOR	CTC3B 6.8MF 20% 10V	T9001366
	250 263 264 265 266 267 268 293 294 295 296 297			
	298 423 450 460 555 556			
C	110 120	SURFACE MOUNTED CAPACITOR	CTC3B 4.7MF 20% 16V	T9001370
C	221 290	SURFACE MOUNTED CAPACITOR	CTC3D 22MF 20% 16V	T9001718
C	440 490 540	SURFACE MOUNTED CAPACITOR	CC0805B-X7R 100 NF 10% 50V	T9004666
DIODE				
CR	390 390 420	SURFACE MOUNTED DIODE	BAS16 SOT23	99110304
CR	202 203 204 232 233 234 262 263 264 292 293 294	SURFACE MOUNTED DIODE	BAW56 SOT23 [A1]	99111266
	555			
CR	130 150	SURFACE MOUNTED DIODE	BAV99 SOT23	99116852
CR	700 701 702 703 704 705 706 707 708 709 710 711	SURFACE MOUNTED DIODE	BZX84C5V6 SOT23 [Z3]	99123960
	712			
CONNECTOR {FIXED}				
J	40 50 60	SURFACE MOUNTED CONNECTOR	52103-1817 (EFC-18S)	T1002545
J	41	SURFACE MOUNTED CONNECTOR	SMC-B-50-M-AB-CL-107	T1002997
TRANSISTOR				
Q	390	SURFACE MOUNTED TRANSISTOR	BFR92A NPN SOT23 [P2]	91557752
Q	430 480 530	SURFACE MOUNTED TRANSISTOR	S03904 NPN SOT23	99110321
Q	410	SURFACE MOUNTED TRANSISTOR	S02894 PNP SOT23	99110324
Q	400	SURFACE MOUNTED TRANSISTOR	*O*S02369A NPNSOT23	99110325
Q	380	SURFACE MOUNTED TRANSISTOR	BFT92 PNP SOT23 [W1]	99116854
Q	110 120 140 170	SURFACE MOUNTED TRANSISTOR	BCX19 NPN SOT23 [U1]	99123949
Q	160	SURFACE MOUNTED TRANSISTOR	BCX17 PNP SOT23 [T1]	99123957
RESISTOR				
R	800	SURFACE MOUNTED RESISTOR	RR1206 0 OHM	99124320
R	10 11 12 13	SURFACE MOUNTED POTENTIOMETER	ST-3A 50 KOHMS 20%	T1002025
R	200 381 441 444 491 494 541 544 551 552	SURFACE MOUNTED RESISTOR	RR0603 0 OHM 1/16W K250	T9000877
R	217 247	SURFACE MOUNTED RESISTOR	RC2211 1 KOHM 0.5% 1/5W K50	T9000924
R	113 119 133 153 160 401 433 483 533	SURFACE MOUNTED RESISTOR	***RR0603 10 OHMS 5% 1/16W K250	T9000933
R	400 410	SURFACE MOUNTED RESISTOR	***RR0603 33 OHMS 5% 1/16W K250	T9000945
R	600 602 604	SURFACE MOUNTED RESISTOR	***RR0603 39 OHMS 5% 1/16W K250	T9000947
R	123	SURFACE MOUNTED RESISTOR	***RR0603 6.2 KOHMS 5% 1/16W K	T9000997
R	431 481 531	SURFACE MOUNTED RESISTOR	***RR0603 560 OHMS 5% 1/16W	T9001048
R	114	SURFACE MOUNTED RESISTOR	***RR0603 12 KOHMS 5% 1/16W	T9001055
R	152 432 482 532	SURFACE MOUNTED RESISTOR	***RR0603 20 KOHMS 5% 1/16W	T9001060
R	115 124	SURFACE MOUNTED RESISTOR	***RR0603 27 KOHMS 5% 1/16W	T9001063
R	110 111 112 120 121 122	SURFACE MOUNTED RESISTOR	RC2211 10 OHMS 1% 1/5W K50	T9001158
R	202 205 206 209 212 215 232 235 236 239 240 243	SURFACE MOUNTED RESISTOR	RC2211 4.7 OHMS 2% 1/5W K50	T9001168
	262 265 266 269 270 273 292 295 296 299 300 303			
	555 558			
R	216 246	SURFACE MOUNTED RESISTOR	RC2211 8.25 KOHM 0.5% 1/5W K50	T9001343
R	100 101 130 132 150 151 430 480 530	SURFACE MOUNTED RESISTOR	RR0603 10 KOHM 1% 1/10W K100	T9005115
R	203 204 207 208 213 214 233 234 237 238 241 242	SURFACE MOUNTED RESISTOR	RR0603 100 KOHM 1% 1/10W K100	T9005116
	263 264 267 268 271 272 293 294 297 298 301 302			
	422 556 557			
R	450 451 452 453 454 455 460 461 462 463 464 465	SURFACE MOUNTED RESISTOR	RR0603 15 OHM 1% 1/10W K100	T9005118
	470 471 472 473 474 475			
R	390	SURFACE MOUNTED RESISTOR	RR0603 47.5 OHM 1% 1/10W K100	T9005124
R	391 801	SURFACE MOUNTED RESISTOR	RR0603 2.21KOHM 1% 1/10W K100	T9005137
R	423 424	SURFACE MOUNTED RESISTOR	RR0603 4.75KOHM 1% 1/10W K100	T9005145
R	131 140 170	SURFACE MOUNTED RESISTOR	RR0603 100 OHM 1% 1/10W K100	T9005153
R	700 701 702 703 704 705 706 707 708 709 710 711	SURFACE MOUNTED RESISTOR	RR0603 15 KOHM 1% 1/10W K100	T9005176
	712			
R	141 172	SURFACE MOUNTED RESISTOR	RR0603 22.1KOHM 1% 1/10W K100	T9005180
R	171	SURFACE MOUNTED RESISTOR	RR0603 47.5KOHM 1% 1/10W K100	T9005188
SWITH				
S	1	SURFACE MOUNTED SWITCH	INVERSEUR 1POLE 2POS.CMS ROT	T9004800
TEST POINT				
TP	1 2 3 4 5 6 7 8 9 10 11 12 13 14 15	SURFACE MOUNTED TERMINAL PIN	RCT00000C	T1002596
INTEGRATED CIRCUIT				
Z	440 490 540	SURFACE MOUNTED INTEGR.CIRCUIT	74AC08 5014P -40-85	364081
Z	200 210 220 260 270 290 550	SURFACE MOUNTED INTEGR.CIRCUIT	CXD1268M S020P DRIVER CCD	T1002961
Z	450 460 470	SURFACE MOUNTED INTEGR.CIRCUIT	74ACT04 5014P -40-85	T9000059
Z	100 130 150	SURFACE MOUNTED INTEGR.CIRCUIT	082 S08P -40-85	T9000867
Z	180 190	SURFACE MOUNTED INTEGR.CIRCUIT	4426 0+70 SOP8(.15)	T9001665

REF.	REFERENCE NUMBER	DESCRIPTION	VALUE	PART NO
CAPACITOR				
C	83 102 361 373 661 673	SURFACE MOUNTED ADJUST.CAPA	ECR-JA006A11 {2.5/6 PF 100V}	91612112
C	103 701	SURFACE MOUNTED ADJUST.CAPA	ECR-JA010A11 3.5/10PF 100V	91621499
C	70 320 370 430 670	SURFACE MOUNTED CAPACITOR	CTC3A 1MF 20% 16V	99142711
C	40 80 100 340 380 400 440 450 640 680 700	SURFACE MOUNTED CAPACITOR	CC0603-1CG-J 22 PF 5% 63V	T9000961
C	190 191 490 491 790 791	SURFACE MOUNTED CAPACITOR	CC0603-1CG-J 47 PF 5% 63V	T9000964
C	101 372 672	SURFACE MOUNTED CAPACITOR	CC0603-1CG-J 1.5PF+-0.25PF 63V	T9000973
C	82 360 660	SURFACE MOUNTED CAPACITOR	CC0603-1CG-J 2.2PF+-0.25PF 63V	T9000974
C	41 341 641	SURFACE MOUNTED CAPACITOR	CC0603-1CG-J 8.2PF+-0.25PF 63V	T9000978
C	71 371 431 620 671	SURFACE MOUNTED CAPACITOR	CC0603-2C1 10NF 10% 63V	T9001016
C	200 310 600	SURFACE MOUNTED CAPACITOR	CTC3D 22MF 20% 16V	T9001718
C	1 2 3 4 5 6 90	SURFACE MOUNTED CAPACITOR	CTC3D 68UF 20% 16V	T9003349
C	500 501	SURFACE MOUNTED CAPACITOR	CTC3E 100UF 10% 16V TANTALE	T9004239
C	451	SURFACE MOUNTED ADJUST.CAPA	ECR-JA050M (8.5/50PF 100V)	T9004246
C	30 42 60 163 164 330 420 463 464 630 642 662 763	SURFACE MOUNTED CAPACITOR	CC0805B-X7R 100 NF 10% 50V	T9004666
C	764 1000 1010 1020			
DIODE				
CR	70 320 370 430 670	SURFACE MOUNTED DIODE	BAS16 SOT23	99110304
CR	10 100 310 610 1310 1610	SURFACE MOUNTED DIODE	BAV99 SOT23	99116852
DELAY LINE				
DL	1 2 3	SURFACE MOUNTED DELAY LINE	DPI S14-GW 40NS 220 OHMS	T1002112
CONNECTOR (FIXED)				
J	31 32 33	SURFACE MOUNTED CONNECTOR	52103-0417 (EFC-4S)	T1002087
J	34	SURFACE MOUNTED CONNECTOR	52103-0817 (EFC-8S)	T1002088
INDUCTOR				
L	190 191 490 491 790 791	SURFACE MOUNTED INDUCTOR	LC1812 1.8 MICROHENRY 10%	T9001178
L	1 2	SURFACE MOUNTED INDUCTOR	LC2220 22 UH 10% (0R09)	T9001335
CONNECTOR (MOBILE)				
P	35	SURFACE MOUNTED CONNECTOR	SMC-B-50-M-AB-CL-107	T1002997
TRANSISTOR				
Q	40 80 100 340 380 400 440 450 640 680 700	SURFACE MOUNTED TRANSISTOR	SST309 NFEF SOT23	91688015
Q	50 350 390 410 650	SURFACE MOUNTED TRANSISTOR	S03904 NPN SOT23	99110321
Q	10 30 310 330 610 630	SURFACE MOUNTED TRANSISTOR	S03906 PNP SOT23	99110322
Q	20 60 70 320 360 370 420 430 620 660 670	SURFACE MOUNTED TRANSISTOR	BSD22 FET SOT143 [M32]	T1000318
RESISTOR				
R	6	SURFACE MOUNTED POTENTIOMETER	ST-4B 5 KOHMS 20%	91619672
R	3	SURFACE MOUNTED POTENTIOMETER	ST-4B 2 KOHMS 20%	91619677
R	9	SURFACE MOUNTED POTENTIOMETER	ST-4B 500 OHMS 20%	91620902
R	2 5 8	SURFACE MOUNTED POTENTIOMETER	ST-3A 20 KOHMS 20%	T1002026
R	1 4 7	SURFACE MOUNTED POTENTIOMETER	ST-3A 200 OHMS 20%	T1002049
R	14 101 170 316 451 470 614 701 770	SURFACE MOUNTED RESISTOR	RR0603 0 OHM 1/16W K250	T9000877
R	1000 1010 1020	SURFACE MOUNTED RESISTOR	%%RR0603 10 OHMS 5%1/16W K250	T9000933
R	191 491 791 1002 1005 1006 1007 1012 1013 1016 1017	SURFACE MOUNTED RESISTOR	%%RR0603 33 OHMS 5%1/16W K250	T9000945
R	778			
R	161 461 761	SURFACE MOUNTED RESISTOR	%%RR0603 75 OHMS 5%1/16W K250	T9000954
R	50 350 390 410 650	SURFACE MOUNTED RESISTOR	%%RR0603 1.2 KOHM 5%1/16WK250	T9000980
R	164 464 764	SURFACE MOUNTED RESISTOR	%%RR0603 3 KOHMS 5% 1/16W K	T9000989
R	11 311 611	SURFACE MOUNTED RESISTOR	%%RR0603 3.6 KOHMS 5% 1/16W K	T9000991
R	178 478 500 501	SURFACE MOUNTED RESISTOR	%%RR0603 150 OHMS 5% 1/16W	T9001034
R	160 460 760	SURFACE MOUNTED RESISTOR	%%RR0603 470 OHMS 5% 1/16W	T9001046
R	177 477 777	SURFACE MOUNTED RESISTOR	%%RR0603 910 OHMS 5% 1/16W	T9001053
R	315	SURFACE MOUNTED RESISTOR	%%RR0603 75 KOHMS 5% 1/16W	T9001074
R	71 371 431 671	SURFACE MOUNTED RESISTOR	%%RR0603 120 KOHMS 5% 1/16W	T9001078
R	73 320 373 433 673	SURFACE MOUNTED RESISTOR	%%RR0603 180 KOHMS 5% 1/16W	T9001082
R	180 480 780	SURFACE MOUNTED RESISTOR	%%RR0603 390 KOHMS 5% 1/16W	T9001090
R	163 179 190 463 479 490 763 779 790	SURFACE MOUNTED RESISTOR	RC2211 75 OHMS 0.5% 1/5W K50	T9001105
R	91 802 1004 1011 1014	SURFACE MOUNTED RESISTOR	RR0603 1 KOHM 1% 1/10W K100	T9005114
R	1001 1003 1015 1021	SURFACE MOUNTED RESISTOR	RR0603 10 KOHM 1% 1/10W K100	T9005115
R	81 103 441 453 681 703	SURFACE MOUNTED RESISTOR	RR0603 100 KOHM 1% 1/10W K100	T9005116
R	165 465 765	SURFACE MOUNTED RESISTOR	RR0603 47.5 OHM 1% 1/10W K100	T9005124
R	12 30 41 80 100 312 330 341 380 400 440 450 612 630 641 680 700	SURFACE MOUNTED RESISTOR	RR0603 1.5 KOHM 1% 1/10W K100	T9005133
R	13 31 40 313 331 340 381 401 613 631 640	SURFACE MOUNTED RESISTOR	RR0603 2 KOHM 1% 1/10W K100	T9005136
R	174 474 766 774	SURFACE MOUNTED RESISTOR	RR0603 100 OHM 1% 1/10W K100	T9005153
R	166 466	SURFACE MOUNTED RESISTOR	RR0603 221 OHM 1% 1/10W K100	T9005157
R	1166 1466	SURFACE MOUNTED RESISTOR	RR0603 301 OHM 1% 1/10W K100	T9005160
R	10 310 610	SURFACE MOUNTED RESISTOR	RR0603 825 OHM 1% 1/10W K100	T9005171
R	72 322 372 432 672	SURFACE MOUNTED RESISTOR	RR0603 15 KOHM 1% 1/10W K100	T9005176
R	200	SURFACE MOUNTED RESISTOR	RR0603 47.5KOHM 1% 1/10W K100	T9005188
R		SURFACE MOUNTED RESISTOR	RR0603 475 KOHM 1% 1/10W K100	T9005208
TEST POINT				
TP	1 2 3 4 5 6 7 8 9 10 11 12 13 14 15 16 17 18 19 20	SURFACE MOUNTED TERMINAL PIN	RCT00000C	T1002596
INTEGRATED CIRCUIT				
Z	1000 1010	SURFACE MOUNTED INTEGR.CIRCUIT	74AC08 S014P -40+85	364081
Z	200 400 600	SURFACE MOUNTED INTEGR.CIRCUIT	*M*74HC4053 S016P -40+85	99137357
Z	160 460 760	SURFACE MOUNTED INTEGR.CIRCUIT	LT1229CS8 S08P 0+70	T1001991
Z	1020	SURFACE MOUNTED INTEGR.CIRCUIT	74AC04 S014P -40+85	T9001464

47032487

SCHEMA

REF.	REFERENCE NUMBER	DESCRIPTION	VALUE	PART NO
CAPACITOR				
C 104	105	SURFACE MOUNTED CAPACITOR	CTC3B 2.2MF 20% 20V DOC.	96103241
C 1	110 111	SURFACE MOUNTED CAPACITOR	CAC46 10MF 20% 16V -55+105	T9001328
C 100	101 102 103	SURFACE MOUNTED CAPACITOR	CCO805B-X7R 100 NF 10% 50V	T9004666
CONNECTOR (FIXED)				
J 2		SURFACE MOUNTED CONNECTOR	52103-0417 (EFC-4S)	T1002087
J 1		SURFACE MOUNTED CONNECTOR	52103-1817 (EFC-18S)	T1002545
TRANSISTOR				
Q 110		SURFACE MOUNTED TRANSISTOR	SO3904 NPN SOT23	99110321
Q 120		SURFACE MOUNTED TRANSISTOR	BF569 PNP [L6] [LH]	99123887
Q 130		SURFACE MOUNTED TRANSISTOR	BFS20 NPN SOT23 [G1]	99123959
RESISTOR				
R 106		SURFACE MOUNTED RESISTOR	***RR0603 6.8 KOHMS 5% 1/16W K	T9000998
R 130		SURFACE MOUNTED RESISTOR	***RR0603 150 OHMS 5% 1/16W	T9001034
R 121		SURFACE MOUNTED RESISTOR	***RR0603 240 OHMS 5% 1/16W	T9001039
R 131		SURFACE MOUNTED RESISTOR	RC2211 4.7 OHMS 2% 1/5W K50	T9001168
R 110		SURFACE MOUNTED RESISTOR	RR0603 10 KOHM 1% 1/10W K100	T9005115
R 100 101 102 103 120		SURFACE MOUNTED RESISTOR	RR0603 47.5 OHM 1% 1/10W K100	T9005124
R 132		SURFACE MOUNTED RESISTOR	RR0603 68.1 OHM 1% 1/10W K100	T9005127
R 105		SURFACE MOUNTED RESISTOR	RR0603 3.32KOHM 1% 1/10W K100	T9005141
R 112		SURFACE MOUNTED RESISTOR	RR0603 681 OHM 1% 1/10W K100	T9005169
R 104 111		SURFACE MOUNTED RESISTOR	RR0603 47.5KOHM 1% 1/10W K100	T9005188
INTEGRATED CIRCUIT				
Z 100A		TERMINAL STRIP	1-16-D-F-127-Y1	T9001445

< last page >

4A150066

SCHEMA

REF.	REFERENCE NUMBER	DESCRIPTION	VALUE	PART NO
CAPACITOR				
C	104 105	SURFACE MOUNTED CAPACITOR	CTC3B 2.2MF 20% 20V DOC.	96103241
C	1 110 111	SURFACE MOUNTED CAPACITOR	CAC46 10MF 20% 16V -55+105	T9001328
C	100 101 102 103	SURFACE MOUNTED CAPACITOR	CC0805B-X7R 100 NF 10% 50V	T9004666
CONNECTOR (FIXED)				
J	2	SURFACE MOUNTED CONNECTOR	52103-0417 (EFC-4S)	T1002087
J	1	SURFACE MOUNTED CONNECTOR	52103-1817 (EFC-18S)	T1002545
TRANSISTOR				
Q	110	SURFACE MOUNTED TRANSISTOR	S03904 NPN SOT23	99110321
Q	120	SURFACE MOUNTED TRANSISTOR	BF569 PNP [L6] [LH]	99123887
Q	130	SURFACE MOUNTED TRANSISTOR	BFS20 NPN SOT23 [G1]	99123959
RESISTOR				
R	106	SURFACE MOUNTED RESISTOR	***RRO603 6.8 KOHMS 5% 1/16W K	T9000998
R	121	SURFACE MOUNTED RESISTOR	***RRO603 240 OHMS 5% 1/16W	T9001039
R	131	SURFACE MOUNTED RESISTOR	RC2211 4.7 OHMS 2% 1/5W K50	T9001168
R	110	SURFACE MOUNTED RESISTOR	RR0603 10 KOHM 1% 1/10W K100	T9005115
R	100 101 102 103 120	SURFACE MOUNTED RESISTOR	RR0603 47.5 OHM 1% 1/10W K100	T9005124
R	132	SURFACE MOUNTED RESISTOR	RR0603 68.1 OHM 1% 1/10W K100	T9005127
R	105	SURFACE MOUNTED RESISTOR	RR0603 3.32KOHM 1% 1/10W K100	T9005141
R	112 130	SURFACE MOUNTED RESISTOR	RR0603 681 OHM 1% 1/10W K100	T9005169
R	104 111	SURFACE MOUNTED RESISTOR	RR0603 47.5KOHM 1% 1/10W K100	T9005188
INTEGRATED CIRCUIT				
Z	100A	TERMINAL STRIP	1-16-D-F-127-Y1	T9001445

< last page >

47033338AA

SCHEMA

REF.	REFERENCE NUMBER	DESCRIPTION	VALUE	PART NO
CAPACITOR				
C	100	SURFACE MOUNTED CAPACITOR	CTC3B 4.7MF 20% 10V DOC.	96103240
C	151 453	SURFACE MOUNTED CAPACITOR	CTC3A 1MF 20% 16V	99142711
C	454	SURFACE MOUNTED CAPACITOR	CC0805B-1CG 220 PF 5% 100V	99187396
C	211	SURFACE MOUNTED CAPACITOR	CAC66 10 MF 20% 50V -40+105	T9000691
C	420 430	SURFACE MOUNTED CAPACITOR	CAC66 22 MF 20% 35V -40+105	T9000692
C	15 18 19 24 212 213 280	SURFACE MOUNTED CAPACITOR	CAC66 47 MF 20% 16V -40+105	T9000693
C	20 21	SURFACE MOUNTED CAPACITOR	CAC66 100 MF 20% 8.3V -40+105	T9000694
C	103 110	SURFACE MOUNTED CAPACITOR	CC0603-1CG-J 10 PF 5% 63V	T9000869
C	452 600	SURFACE MOUNTED CAPACITOR	CC0603-1CG-J 100 PF 5% 63V	T9000870
C	202 203 205 206	SURFACE MOUNTED CAPACITOR	CC0603-1CG-J 220 PF 5% 63V	T9000871
C	111	SURFACE MOUNTED CAPACITOR	CC0603-1CG-J 15 PF 5% 63V	T9000959
C	215	SURFACE MOUNTED CAPACITOR	CC0603-1CG-J 18 PF 5% 63V	T9000960
C	201 204	SURFACE MOUNTED CAPACITOR	CC0603-1CG-J 22 PF 5% 63V	T9000961
C	502	SURFACE MOUNTED CAPACITOR	CC0603-1CG-J 39 PF 5% 63V	T9000969
C	451	SURFACE MOUNTED CAPACITOR	CC0603-1CG-J 150 PF 5% 63V	T9000971
C	112	SURFACE MOUNTED CAPACITOR	CC0603-1CG-J 390 PF 5% 63V	T9000978
C	105 106	SURFACE MOUNTED CAPACITOR	CC0603-1CG-J 8.2PF--0.25PF 63V	T9001179
C	214 217 218 219 220 221	SURFACE MOUNTED CAPACITOR	CTC3B 6.8MF 20% 10V	T9001366
C	210	SURFACE MOUNTED CAPACITOR	CC0805B-X7R 100 NF 10% 50V	T9004666
C	101 102 104 120 150 200 300 410 421 431 450 470	SURFACE MOUNTED CAPACITOR		
C	500 510			
DIODE				
CR	450	SURFACE MOUNTED DIODE	BAS16 SOT23	99110304
CR	600	SURFACE MOUNTED DIODE	BAR18 SOT23 [D76]	99123948
CR	100 101	SURFACE MOUNTED DIODE	BBY31 SOT23 [S1]	T1001594
CONNECTOR (FIXED)				
J	30A 31A	NUT	ECROU H M1.6 U INOX.A4 PASSIVE	99059909
J	30B 31B	SCREW	C M1.6X4 U INOX A2.70 PASS	99084621
J	30 31	SURFACE MOUNTED CONNECTOR	004861 (EFD-50S)	T1001949
J	32 33	SURFACE MOUNTED CONNECTOR	52103-1617 (EFC-16S)	T1002412
INDUCTOR				
L	102	SURFACE MOUNTED INDUCTOR	E558CNA-100036 (79NH)	T1002577
L	100 101 110	INDUCTOR	TRO21 3.3 MICROHENRYS 2%	T9000502
L	120 150 210	SURFACE MOUNTED INDUCTOR	LC1812 2.7 UH 10% -40+85	T9001005
L	16 17 18	SURFACE MOUNTED INDUCTOR	LC2220 4.7UH 10% (OR11)	T9001334
TRANSISTOR				
Q	110	SURFACE MOUNTED TRANSISTOR	SST309 NFET SOT23	91688015
RESISTOR				
R	16	SURFACE MOUNTED POTENTIOMETER	ST-3A 5 KOHMS 20%	T1002027
R	12 13	SURFACE MOUNTED POTENTIOMETER	ST-3A 500 OHMS 20%	T1002085
R	210 212 213 215 219 222 229 230 236 243 405 480	SURFACE MOUNTED RESISTOR	RR0603 0 OHM 1/16W K250	T9000877
R	102	SURFACE MOUNTED RESISTOR	%%RR0603 10 OHMS 5x1/16W K250	T9000933
R	101	SURFACE MOUNTED RESISTOR	%%RR0603 2.7 KOHMS 5% 1/16W K	T9000988
R	110	SURFACE MOUNTED RESISTOR	%%RR0603 300 OHMS 5% 1/16W	T9001041
R	240 241 242	SURFACE MOUNTED RESISTOR	%%RR0603 470 OHMS 5% 1/16W	T9001046
R	451	SURFACE MOUNTED RESISTOR	%%RR0603 12 KOHMS 5% 1/16W	T9001055
R	120	SURFACE MOUNTED RESISTOR	%%RR0603 20 KOHMS 5% 1/16W	T9001060
R	452	SURFACE MOUNTED RESISTOR	RR0603 1 KOHM 1% 1/10W K100	T9005114
R	601 602	SURFACE MOUNTED RESISTOR	RR0603 10 KOHM 1% 1/10W K100	T9005115
R	150 411 412 430 431 432 433 454	SURFACE MOUNTED RESISTOR	RR0603 100 KOHM 1% 1/10W K100	T9005116
R	123 267 268 269 270 271 272	SURFACE MOUNTED RESISTOR	RR0603 47.5 OHM 1% 1/10W K100	T9005124
R	201 203	SURFACE MOUNTED RESISTOR	RR0603 2 KOHM 1% 1/10W K100	T9005136
R	160 217 223 224 225 226 227 233 234 235 251 252	SURFACE MOUNTED RESISTOR	RR0603 100 OHM 1% 1/10W K100	T9005153
R	253 254 255 256 257 258 259 260 261 262 265 266			
R	273 300 420 421 422 423 425 426 427 453 600			
R	200 202	SURFACE MOUNTED RESISTOR	RR0603 221 OHM 1% 1/10W K100	T9005157
R	455	SURFACE MOUNTED RESISTOR	RR0603 47.5KOHM 1% 1/10W K100	T9005188
TEST POINT				
TP	1 2 3 4 5 6 7 8 9 10 11 12 13 17	SURFACE MOUNTED TERMINAL PIN	RCT00000C	T1002596
INTEGRATED CIRCUIT				
Z	200 450	SURFACE MOUNTED INTEGR.CIRCUIT	74HC221 S016P -40+85	365123
Z	300 410 470 510	SURFACE MOUNTED INTEGR.CIRCUIT	74HC74 S014P -40+85	99142001
Z	500	SURFACE MOUNTED INTEGR.CIRCUIT	74HC86 S014P -40+85	99142998
Z	210	SURFACE MOUNTED INTEGR.CIRCUIT	MN5218 QF128	T1002923
Z	600	SURFACE MOUNTED INTEGR.CIRCUIT	SN74HC08D S014P -40+85	T1005659
Z	120 480	SURFACE MOUNTED INTEGR.CIRCUIT	74AC04 S014P -40+85	T9001464
Z	150	SURFACE MOUNTED INTEGR.CIRCUIT	74AC109 S016P -40+85	T9001535
Z	400	SURFACE MOUNTED EEPROM	1KX16/2KX8 1MHZ 3MA S08P-40+85	T9001604

4A150641AA

SCHEMA

REF.	REFERENCE NUMBER	DESCRIPTION	VALUE	PART NO
CAPACITOR				
C 100		SURFACE MOUNTED CAPACITOR	CTC3B 4.7MF 20% 10V DOC.	96103240
C 151 453		SURFACE MOUNTED CAPACITOR	CTC3A 1MF 20% 16V	99142711
C 454		SURFACE MOUNTED CAPACITOR	CC0805B-1CG 220 PF 5% 100V	99187396
C 19 24 212 213		SURFACE MOUNTED CAPACITOR	CTC3D 47MF 20% 16V	T1006086
C 103 110		SURFACE MOUNTED CAPACITOR	CC0603-1CG-J 10 PF 5% 63V	T9000869
C 452 600		SURFACE MOUNTED CAPACITOR	CC0603-1CG-J 100 PF 5% 63V	T9000870
C 202 203 205 206		SURFACE MOUNTED CAPACITOR	CC0603-1CG-J 220 PF 5% 63V	T9000871
C 111		SURFACE MOUNTED CAPACITOR	CC0603-1CG-J 15 PF 5% 63V	T9000959
C 215		SURFACE MOUNTED CAPACITOR	CC0603-1CG-J 18 PF 5% 63V	T9000960
C 201 204		SURFACE MOUNTED CAPACITOR	CC0603-1CG-J 22 PF 5% 63V	T9000961
C 602		SURFACE MOUNTED CAPACITOR	CC0603-1CG-J 39 PF 5% 63V	T9000963
C 451		SURFACE MOUNTED CAPACITOR	CC0603-1CG-J 150 PF 5% 63V	T9000969
C 112		SURFACE MOUNTED CAPACITOR	CC0603-1CG-J 390 PF 5% 63V	T9000971
C 105 106		SURFACE MOUNTED CAPACITOR	CC0603-1CG-J 8.2PF+-0.25PF 63V	T9000978
C 214 217 218 219 220 221		SURFACE MOUNTED CAPACITOR	CC0603-1CG-J 27 PF 5% 63V	T9001179
C 210		SURFACE MOUNTED CAPACITOR	CTC3B 6.8MF 20% 10V	T9001366
C 15		SURFACE MOUNTED CAPACITOR	CTC3D 22MF 20% 20V	T9003002
C 430		SURFACE MOUNTED CAPACITOR	CTC3D 33MF 20% 10V	T9003283
C 18 20 21		SURFACE MOUNTED CAPACITOR	CTC3D 68UF 20% 16V	T9003349
C 211		SURFACE MOUNTED CAPACITOR	CTC3C 10UF 20% 16V POLARISE	T9003419
C 171		SURFACE MOUNTED CAPACITOR	CC0603-2C1 820 PF 10% 63V	T9003519
C 101 102 104 120 150 170 200 300 410 450 500 510		SURFACE MOUNTED CAPACITOR	CC0805B-X7R 100 NF 10% 50V	T9004666
DIODE				
CR 450		SURFACE MOUNTED DIODE	BAS16 SOT23	99110304
CR 600		SURFACE MOUNTED DIODE	BAR18 SOT23 [D76]	99123948
CR 100 101		SURFACE MOUNTED DIODE	BBY31 SOT23 [S1]	T1001594
CONNECTOR (FIXED)				
J 30 31		SURFACE MOUNTED CONNECTOR	004861 (EFD-50S)	T1001949
J 32 33		SURFACE MOUNTED CONNECTOR	52103-1617 (EFC-16S)	T1002412
INDUCTOR				
L 102		SURFACE MOUNTED INDUCTOR	E558CNA-100036 (79NH)	T1002677
L 100 101 110		INDUCTOR	TRO21 3.3 MICROHENRYS 2%	T9000502
L 120 150 210		SURFACE MOUNTED INDUCTOR	LC1812 2.7 UH 10% -40+85	T9001005
L 16 17 18		SURFACE MOUNTED INDUCTOR	LC2220 4.7UH 10% (OR11)	T9001334
TRANSISTOR				
Q 110		SURFACE MOUNTED TRANSISTOR	SST309 NFEET SOT23	91588015
RESISTOR				
R 16		SURFACE MOUNTED POTENTIOMETER	ST-3A 5 KOHMS 20%	T1002027
R 12 13		SURFACE MOUNTED POTENTIOMETER	ST-3A 500 OHMS 20%	T1002085
R 212 228 230 236 243 405 480		SURFACE MOUNTED RESISTOR	RR0603 0 OHM 1/16W K250	T9000877
R 102		SURFACE MOUNTED RESISTOR	%%RR0603 10 OHMS 5% 1/16W K250	T9000933
R 101		SURFACE MOUNTED RESISTOR	%%RR0603 2.7 KOHMS 5% 1/16W K	T9000988
R 110		SURFACE MOUNTED RESISTOR	%%RR0603 300 OHMS 5% 1/16W	T9001041
R 240 241 242		SURFACE MOUNTED RESISTOR	%%RR0603 470 OHMS 5% 1/16W	T9001046
R 451		SURFACE MOUNTED RESISTOR	%%RR0603 12 KOHMS 5% 1/16W	T9001055
R 120		SURFACE MOUNTED RESISTOR	%%RR0603 20 KOHMS 5% 1/16W	T9001060
R 452		SURFACE MOUNTED RESISTOR	RR0603 1 KOHM 1% 1/10W K100	T9005114
R 601 602		SURFACE MOUNTED RESISTOR	RR0603 10 KOHM 1% 1/10W K100	T9005115
R 150 170 411 412 430 431 432 433 454		SURFACE MOUNTED RESISTOR	RR0603 100 KOHM 1% 1/10W K100	T9005116
R 123 267 268 269 270 271 272		SURFACE MOUNTED RESISTOR	RR0603 47.5 OHM 1% 1/10W K100	T9005124
R 201 203		SURFACE MOUNTED RESISTOR	RR0603 2 KOHM 1% 1/10W K100	T9005136
R 160 210 214 216 218 220 224 225 226 227 233 234		SURFACE MOUNTED RESISTOR	RR0603 100 OHM 1% 1/10W K100	T9005153
R 235 251 252 253 254 255 256 257 258 261 262 265				
R 273 453 600 611 613				
R 200 202		SURFACE MOUNTED RESISTOR	RR0603 221 OHM 1% 1/10W K100	T9005157
R 455		SURFACE MOUNTED RESISTOR	RR0603 47.5KOHM 1% 1/10W K100	T9005188
TEST POINT				
TP 1 2 3 4 5 6 7 8 9 10 11 12 13 17 18 19		SURFACE MOUNTED TERMINAL PIN	RCT00000C	T1002596
INTEGRATED CIRCUIT				
Z 200 450		SURFACE MOUNTED INTEGR. CIRCUIT	74HC221 S016P -40+85	365123
Z 600		SURFACE MOUNTED INTEGR. CIRCUIT	74HC08 S014P -40+85	99137356
Z 170		SURFACE MOUNTED INTEGR. CIRCUIT	74HC123 S016P -40+85	99138868
Z 300 410 510		SURFACE MOUNTED INTEGR. CIRCUIT	74HC74 S014P -40+85	99142001
Z 500		SURFACE MOUNTED INTEGR. CIRCUIT	74HC86 S014P -40+85	99142998
Z 610		SURFACE MOUNTED INTEGR. CIRCUIT	74HCT164 S014P -40+85	T9000898
Z 120		SURFACE MOUNTED INTEGR. CIRCUIT	74AC04 S014P -40+85	T9001464
Z 150		SURFACE MOUNTED INTEGR. CIRCUIT	74AC109 S016P -40+85	T9001535
Z 400		SURFACE MOUNTED EEPROM	1KX16/2KX8 1MHZ 3MA S08P-40+85	T9001604
Z 210		SURFACE MOUNTED INTEGR. CIRCUIT	MNS280 QF128	T9004588

< last page >

4A150637AA

SCHEMA

REF.	REFERENCE NUMBER	DESCRIPTION	VALUE	PART NO
CAPACITOR				
C 402		SURFACE MOUNTED CAPACITOR	CTC3B 2.2MF 20% 20V DOC.	96103241
C 100 101 111 121 130 134 141 150 151 170 401 430		SURFACE MOUNTED CAPACITOR	CTC3A 1MF 20% 16V	99142711
480 530 700 701 702 703 704 705 706 707 708 709				
710				
C 112 122 160 200 212 213 242 243 270 291		SURFACE MOUNTED CAPACITOR	CTC3D 47MF 20% 16V	T1006086
C 140		SURFACE MOUNTED CAPACITOR	CAC66 10 MF 20% 50V -40+105	T9000691
C 132 133 152 153 171		SURFACE MOUNTED CAPACITOR	CAC66 22 MF 20% 35V -40+105	T9000692
C 380 390		SURFACE MOUNTED CAPACITOR	CC0603-1CG-J 56 PF 5% 63V	T9000965
C 203 204 205 206 207 208 233 234 235 236 237 238		SURFACE MOUNTED CAPACITOR	CTC3B 6.8MF 20% 10V	T9001366
250 263 264 265 266 267 268 293 294 295 296 297				
298 450 460				
C 110 120 180 190		SURFACE MOUNTED CAPACITOR	CTC3B 4.7MF 20% 16V	T9001370
C 210 280 281		SURFACE MOUNTED CAPACITOR	CTC3D 22MF 20% 16V	T9001718
C 102 131		SURFACE MOUNTED CAPACITOR	CTC3D 22MF 20% 20V	T9003002
C 1 154 209 290		SURFACE MOUNTED CAPACITOR	CTC3D 68UF 20% 16V	T9003349
C 400 431 481 531		SURFACE MOUNTED CAPACITOR	CTC3C 10UF 20% 16V POLARISE	T9003419
C 440 490 540		SURFACE MOUNTED CAPACITOR	CC0805B-X7R 100 NF 10% 50V	T9004666
DIODE				
CR 380 390 420		SURFACE MOUNTED DIODE	BAS16 SOT23	99110304
CR 700 701 702 703 704 705 706 707 708 709 710		SURFACE MOUNTED DIODE	BZX84C5V1 SOT23 [22]	99111196
CR 202 203 204 232 233 234 262 263 264 292 293 294		SURFACE MOUNTED DIODE	BAW56 SOT23 [A1]	99111266
CR 130 150		SURFACE MOUNTED DIODE	BAV99 SOT23	99116852
CONNECTOR (FIXED)				
J 40 50 60		SURFACE MOUNTED CONNECTOR	52103-1617 (EFC-16S)	T1002412
J 41		SURFACE MOUNTED CONNECTOR	SMC-B-50-M-AB-CL-107	T1002997
TRANSISTOR				
Q 380		SURFACE MOUNTED TRANSISTOR	BFT93 PNP SOT23	342016
Q 430 480 530		SURFACE MOUNTED TRANSISTOR	SO3904 NPN SOT23	99110321
Q 410		SURFACE MOUNTED TRANSISTOR	SO2894 PNP SOT23	99110324
Q 400		SURFACE MOUNTED TRANSISTOR	*O*SO2369A NPNSOT23	99110325
Q 110 120 140 170		SURFACE MOUNTED TRANSISTOR	BCX19 NPN SOT23 [U1]	99123949
Q 160		SURFACE MOUNTED TRANSISTOR	BCX17 PNP SOT23 [T1]	99123957
Q 390		SURFACE MOUNTED TRANSISTOR	BFR93A NPN SOT23	T9001765
RESISTOR				
R 10 11 12 13		SURFACE MOUNTED POTENTIOMETER	ST-3A 50 KOHMS 20%	T1002025
R 201 260 381 408 441 444 491 494 541 544 556		SURFACE MOUNTED RESISTOR	RR0603 0 OHM 1/16W K250	T9000877
R 217 247		SURFACE MOUNTED RESISTOR	RC2211 1 KOHM 0.5% 1/5W K50	T9000924
R 133 153 401		SURFACE MOUNTED RESISTOR	***RR0603 10 OHMS 5% 1/16W K250	T9000933
R 400 410		SURFACE MOUNTED RESISTOR	***RR0603 33 OHMS 5% 1/16W K250	T9000945
R 600 602 604		SURFACE MOUNTED RESISTOR	***RR0603 39 OHMS 5% 1/16W K250	T9000947
R 431 481 531		SURFACE MOUNTED RESISTOR	***RR0603 560 OHMS 5% 1/16W	T9001048
R 114		SURFACE MOUNTED RESISTOR	***RR0603 13 KOHMS 5% 1/16W	T9001056
R 152		SURFACE MOUNTED RESISTOR	***RR0603 20 KOHMS 5% 1/16W	T9001060
R 115 125		SURFACE MOUNTED RESISTOR	***RR0603 27 KOHMS 5% 1/16W	T9001063
R 171		SURFACE MOUNTED RESISTOR	***RR0603 39 KOHMS 5% 1/16W	T9001067
R 216 246		SURFACE MOUNTED RESISTOR	RC2211 3.32 KOHM 0.5% 1/5W K50	T9001115
R 110 111 112 120 121 122		SURFACE MOUNTED RESISTOR	RC2211 10 OHMS 1% 1/5W K50	T9001158
R 202 205 206 209 212 215 232 235 236 239 240 243		SURFACE MOUNTED RESISTOR	RC2211 4.7 OHMS 2% 1/5W K50	T9001168
262 265 266 269 270 273 292 295 296 299 300 303				
601 603 605				
R 100 101 124 130 132 150 151 430 432 480 482 530		SURFACE MOUNTED RESISTOR	RR0603 10 KOHM 1% 1/10W K100	T9005115
532				
R 203 204 207 208 213 214 233 234 237 238 241 242		SURFACE MOUNTED RESISTOR	RR0603 100 KOHM 1% 1/10W K100	T9005116
263 264 267 268 271 272 293 294 297 298 301 302				
422				
R 450 451 452 453 454 455 460 461 462 463 464 465		SURFACE MOUNTED RESISTOR	RR0603 15 OHM 1% 1/10W K100	T9005118
470 471 472 473 474 475				
R 390		SURFACE MOUNTED RESISTOR	RR0603 47.5 OHM 1% 1/10W K100	T9005124
R 403 405 407 409 412		SURFACE MOUNTED RESISTOR	RR0603 2 KOHM 1% 1/10W K100	T9005136
R 391		SURFACE MOUNTED RESISTOR	RR0603 2.21KOHM 1% 1/10W K100	T9005137
R 113 123 131 140 160 170		SURFACE MOUNTED RESISTOR	RR0603 100 OHM 1% 1/10W K100	T9005153
R 700 701 702 703 704 705 706 707 708 709 710		SURFACE MOUNTED RESISTOR	RR0603 15 KOHM 1% 1/10W K100	T9005176
R 141 172		SURFACE MOUNTED RESISTOR	RR0603 22.1KOHM 1% 1/10W K100	T9005180
TEST POINT				
TP 1 2 3 4 5 6 7 8 9 10 11 12 13 14 15		SURFACE MOUNTED TERMINAL PIN	RCT00000C	T1002596
INTEGRATED CIRCUIT				
Z 440 490 540		SURFACE MOUNTED INTEGR. CIRCUIT	74AC08 S014P -40+85	364081
Z 200 210 220 260 270 290 555		SURFACE MOUNTED INTEGR. CIRCUIT	CXD1268M S020P DRIVER CCD	T1002961
Z 450 460 470		SURFACE MOUNTED INTEGR. CIRCUIT	74ACT04 S014P -40+85	T9000059
Z 100 130 150		SURFACE MOUNTED INTEGR. CIRCUIT	082 S08P -40+85	T9000867
Z 180 190		SURFACE MOUNTED INTEGR. CIRCUIT	4426 0+70 S0P8(.15)	T9001665

4A150634AA

SCHEMA

REF.	REFERENCE NUMBER	DESCRIPTION	VALUE	PART NO
CAPACITOR				
C	103 104	SURFACE MOUNTED CAPACITOR	CTC3B 2.2MF 20% 20V DOC.	96103241
C	140	SURFACE MOUNTED CAPACITOR	CC0603-1CG-J 3.3PF+-0.25PF 63V	T9000975
C	130	SURFACE MOUNTED CAPACITOR	CTC3D 22MF 20% 16V	T9001718
C	1	SURFACE MOUNTED CAPACITOR	CTC3D 22MF 20% 20V	T9003002
C	2	SURFACE MOUNTED CAPACITOR	CTC3C 10UF 20% 16V POLARISE	T9003419
C	100 101 102	SURFACE MOUNTED CAPACITOR	CC0805B-K7R 100 NF 10% 50V	T9004666
CONNECTOR (FIXED)				
J	2	SURFACE MOUNTED CONNECTOR	52103-0417 (EFC-4S)	T1002087
J	1	SURFACE MOUNTED CONNECTOR	52103-1617 (EFC-16S)	T1002412
TRANSISTOR				
Q	140	SURFACE MOUNTED TRANSISTOR	BFT93 PNP SOT23	342016
Q	130	SURFACE MOUNTED TRANSISTOR	BFR93A NPN SOT23	T9001765
RESISTOR				
R	108 133	SURFACE MOUNTED RESISTOR	RR0603 0 OHM 1/16W K250	T9000877
R	132	SURFACE MOUNTED RESISTOR	%%RR0603 1,8 KOHM 5x1/16WK250	T9000984
R	105 107 109 111 112	SURFACE MOUNTED RESISTOR	%%RR0603 3,9 KOHMS 5x 1/16W K	T9000992
R	131	SURFACE MOUNTED RESISTOR	%%RR0603 360 OHMS 5x 1/16W	T9001043
R	140	SURFACE MOUNTED RESISTOR	RC2211 4,7 OHMS 2x 1/5W K50	T9001168
R	114	SURFACE MOUNTED RESISTOR	RR0603 1 KOHM 1x 1/10W K100	T9005114
R	100 101 130	SURFACE MOUNTED RESISTOR	RR0603 47,5 OHM 1x 1/10W K100	T9005124
R	141	SURFACE MOUNTED RESISTOR	RR0603 68,1 OHM 1x 1/10W K100	T9005127
R	103	SURFACE MOUNTED RESISTOR	RR0603 47,5KOHM 1x 1/10W K100	T9005188
INTEGRATED CIRCUIT				
Z	1000A 1000B	IC SOCKET	SC2S64Y1B (BARRETTE FEMELLE)	T9000353

< last page >

4A150641BA

SCHEMA

REF.	REFERENCE NUMBER	DESCRIPTION	VALUE	PART NO
CAPACITOR				
C 100		SURFACE MOUNTED CAPACITOR	CTC3B 4.7MF 20% 10V DOC.	96103240
C 151 453		SURFACE MOUNTED CAPACITOR	CTC3A 1MF 20% 16V	99142711
C 454		SURFACE MOUNTED CAPACITOR	CC0805B-1CG 220 PF 5% 100V	99187396
C 19 24 212 213		SURFACE MOUNTED CAPACITOR	CTC3D 47MF 20%	T1006086
C 103 110		SURFACE MOUNTED CAPACITOR	CC0603-1CG-J 10 PF 5% 63V	T9000869
C 452 600		SURFACE MOUNTED CAPACITOR	CC0603-1CG-J 100 PF 5% 63V	T9000870
C 202 203 205 206		SURFACE MOUNTED CAPACITOR	CC0603-1CG-J 220 PF 5% 63V	T9000871
C 111		SURFACE MOUNTED CAPACITOR	CC0603-1CG-J 15 PF 5% 63V	T9000959
C 215		SURFACE MOUNTED CAPACITOR	CC0603-1CG-J 18 PF 5% 63V	T9000960
C 201 204		SURFACE MOUNTED CAPACITOR	CC0603-1CG-J 22 PF 5% 63V	T9000961
C 602		SURFACE MOUNTED CAPACITOR	CC0603-1CG-J 39 PF 5% 63V	T9000963
C 451		SURFACE MOUNTED CAPACITOR	CC0603-1CG-J 150 PF 5% 63V	T9000969
C 112		SURFACE MOUNTED CAPACITOR	CC0603-1CG-J 390 PF 5% 63V	T9000971
C 105 106		SURFACE MOUNTED CAPACITOR	CC0603-1CG-J 8.2PF+-0.25PF 63V	T9000978
C 214 217 218 219 220 221		SURFACE MOUNTED CAPACITOR	CC0603-1CG-J 27 PF 5% 63V	T9001179
C 210		SURFACE MOUNTED CAPACITOR	CTC3B 6.8MF 20% 10V	T9001366
C 15		SURFACE MOUNTED CAPACITOR	CTC3D 22MF 20% 20V	T9003002
C 430		SURFACE MOUNTED CAPACITOR	CTC3D 33MF 20%	T9003283
C 18 20 21		SURFACE MOUNTED CAPACITOR	CTC3D 68UF 20% 16V	T9003349
C 211		SURFACE MOUNTED CAPACITOR	CTC3C 10UF 20% 16V POLARISE	T9003419
C 171		SURFACE MOUNTED CAPACITOR	CC0603-2C1 820 PF 10% 63V	T9003519
C 101 102 104 120 150 170 200 300 410 450 500 510 610		SURFACE MOUNTED CAPACITOR	CC0805B-X7R 100 NF 10% 50V	T9004666
DIODE				
CR 450		SURFACE MOUNTED DIODE	BA515 SOT23	99110304
CR 600		SURFACE MOUNTED DIODE	BAR18 SOT23 [D76]	99123948
CR 100 101		SURFACE MOUNTED DIODE	BBY31 SOT23 [S1]	T1001594
CONNECTOR (FIXED)				
J 30 31		SURFACE MOUNTED CONNECTOR	004861 (EFD-50S)	T1001949
J 32 33		SURFACE MOUNTED CONNECTOR	52103-1617 (EFC-16S)	T1002412
INDUCTOR				
L 102		SURFACE MOUNTED INDUCTOR	E558CNA-100036 (79NH)	T1002677
L 100 101 110		INDUCTOR	TRO21 3.3 MICROHENRYS 2%	T9000502
L 120 150 210		SURFACE MOUNTED INDUCTOR	LC1812 2.7 UH 10% -40+85	T9001005
L 16 17 18		SURFACE MOUNTED INDUCTOR	LC2220 4.7UH 10% (OR11)	T9001334
TRANSISTOR				
Q 110		SURFACE MOUNTED TRANSISTOR	SST309 NFEET SOT23	91688015
RESISTOR				
R 15		SURFACE MOUNTED POTENTIOMETER	ST-3A 5 KOHMS 20%	T1002027
R 12 13		SURFACE MOUNTED POTENTIOMETER	ST-3A 500 OHMS 20%	T1002085
R 211 229 230 236 243 405 480		SURFACE MOUNTED RESISTOR	RR0603 0 OHM 1/16W K250	T9000877
R 102		SURFACE MOUNTED RESISTOR	***RR0603 10 OHMS 5% 1/16W K250	T9000933
R 101		SURFACE MOUNTED RESISTOR	***RR0603 2.7 KOHMS 5% 1/16W K	T9000988
R 110		SURFACE MOUNTED RESISTOR	***RR0603 300 OHMS 5% 1/16W	T9001041
R 240 241 242		SURFACE MOUNTED RESISTOR	***RR0603 470 OHMS 5% 1/16W	T9001046
R 451		SURFACE MOUNTED RESISTOR	***RR0603 12 KOHMS 5% 1/16W	T9001055
R 120		SURFACE MOUNTED RESISTOR	***RR0603 20 KOHMS 5% 1/16W	T9001060
R 452		SURFACE MOUNTED RESISTOR	RR0603 1 KOHM 1% 1/10W K100	T9005114
R 601 602		SURFACE MOUNTED RESISTOR	RR0603 10 KOHM 1% 1/10W K100	T9005115
R 150 170 411 412 430 431 432 433 454		SURFACE MOUNTED RESISTOR	RR0603 100 KOHM 1% 1/10W K100	T9005116
R 123 267 268 269 270 271 272		SURFACE MOUNTED RESISTOR	RR0603 47.5 OHM 1% 1/10W K100	T9005124
R 201 203		SURFACE MOUNTED RESISTOR	RR0603 2 KOHM 1% 1/10W K100	T9005136
R 160 210 214 216 218 220 224 225 226 227 233 234 235 251 252 253 254 255 256 257 258 261 262 265 273 453 600 611 613		SURFACE MOUNTED RESISTOR	RR0603 100 OHM 1% 1/10W K100	T9005153
R 200 202		SURFACE MOUNTED RESISTOR	RR0603 221 OHM 1% 1/10W K100	T9005157
R 455		SURFACE MOUNTED RESISTOR	RR0603 47.5KOHM 1% 1/10W K100	T9005188
TEST POINT				
TP 1 2 3 4 5 6 7 8 9 10 11 12 13 17 18 19		SURFACE MOUNTED TERMINAL PIN	RCT00000C	T1002596
INTEGRATED CIRCUIT				
Z 200 450		SURFACE MOUNTED INTEGR.CIRCUIT	74HC221 S016P -40+85	365123
Z 600		SURFACE MOUNTED INTEGR.CIRCUIT	74HC08 S014P -40+85	99137356
Z 170		SURFACE MOUNTED INTEGR.CIRCUIT	74HC123 S016P -40+85	99138868
Z 300 410 510		SURFACE MOUNTED INTEGR.CIRCUIT	74HC74 S014P -40+85	99142001
Z 500		SURFACE MOUNTED INTEGR.CIRCUIT	74HC86 S014P -40+85	99142998
Z 610		SURFACE MOUNTED INTEGR.CIRCUIT	74HCT164 S014P -40+85	T9000898
Z 120 480		SURFACE MOUNTED INTEGR.CIRCUIT	74AC04 S014P -40+85	T9001464
Z 150		SURFACE MOUNTED INTEGR.CIRCUIT	74AC109 S016P -40+85	T9001535
Z 400		SURFACE MOUNTED EEPROM	1KX16/2KX8 1MHZ 3MA S08P-40+85	T9001604
Z 210		SURFACE MOUNTED INTEGR.CIRCUIT	MN5280 QF128	T9004588

46150605AA

SCHEMA

REF.	REFERENCE NUMBER	DESCRIPTION	VALUE	PART NO
CAPACITOR				
C	151 453	SURFACE MOUNTED CAPACITOR	CTC3A 1MF 20% 16V	99142711
C	19 24 212	SURFACE MOUNTED CAPACITOR	CTC3B 47MF 20% 16V	T1006086
C	160	SURFACE MOUNTED CAPACITOR	CC0805B-2C1 4.7 NF 10% 100V	T9000333
C	213 280	SURFACE MOUNTED CAPACITOR	CAC66 47 MF 20% 16V -40+105	T9000693
C	103 110	SURFACE MOUNTED CAPACITOR	CC0603-1CG-J 10 PF 5% 63V	T9000869
C	452 600	SURFACE MOUNTED CAPACITOR	CC0603-1CG-J 100 PF 5% 63V	T9000870
C	202 203 205 206 451 454	SURFACE MOUNTED CAPACITOR	CC0603-1CG-J 220 PF 5% 63V	T9000871
C	105 106	SURFACE MOUNTED CAPACITOR	CC0603-1CG-J 12 PF 5% 63V	T9000958
C	111	SURFACE MOUNTED CAPACITOR	CC0603-1CG-J 15 PF 5% 63V	T9000959
C	215	SURFACE MOUNTED CAPACITOR	CC0603-1CG-J 18 PF 5% 63V	T9000960
C	201 204	SURFACE MOUNTED CAPACITOR	CC0603-1CG-J 22 PF 5% 63V	T9000961
C	602	SURFACE MOUNTED CAPACITOR	CC0603-1CG-J 39 PF 5% 63V	T9000963
C	112	SURFACE MOUNTED CAPACITOR	CC0603-1CG-J 390 PF 5% 63V	T9000971
C	214 217 218 219 220 221	SURFACE MOUNTED CAPACITOR	CC0603-1CG-J 27 PF 5% 63V	T9001179
C	211	SURFACE MOUNTED CAPACITOR	CAC46 10MF 20% 16V -55+105	T9001328
C	210	SURFACE MOUNTED CAPACITOR	CTC3B 6.8MF 20% 10V	T9001366
C	100	SURFACE MOUNTED CAPACITOR	CTC3B 4.7MF 20% 16V	T9001370
C	15	SURFACE MOUNTED CAPACITOR	CTC3D 22MF 20% 20V	T9003002
C	420 430	SURFACE MOUNTED CAPACITOR	CTC3D 33MF 20% 10V	T9003283
C	18 20 21	SURFACE MOUNTED CAPACITOR	CTC3D 68UF 20% 16V	T9003349
C	101 102 104 120 150 200 300 421 431 450 500 510	SURFACE MOUNTED CAPACITOR	CC0805B-X7R 100 NF 10% 50V	T9004666
DIODE				
CR	450	SURFACE MOUNTED DIODE	BA516 SOT23	99110304
CR	600	SURFACE MOUNTED DIODE	BAR18 SOT23 [D76]	99123948
CR	100 101	SURFACE MOUNTED DIODE	BBY31 SOT23 [S1]	T1001594
CONNECTOR (FIXED)				
J	30 31	SURFACE MOUNTED CONNECTOR	004861 (EFD-50S)	T1001949
J	32 33	SURFACE MOUNTED CONNECTOR	52103-1617 (EFC-16S)	T1002412
INDUCTOR				
L	102	SURFACE MOUNTED INDUCTOR	E558CNA-100037 (94NH)	T1002832
L	100 101 110	INDUCTOR	TRO21 3.3 MICROHENRYS 2%	T9000502
L	120 150 210	SURFACE MOUNTED INDUCTOR	LC1812 2.7 UH 10% -40+85	T9001005
L	16 17 18	SURFACE MOUNTED INDUCTOR	LC2220 4.7UH 10% (OR11)	T9001334
TRANSISTOR				
Q	110	SURFACE MOUNTED TRANSISTOR	SST309 NPEF SOT23	91688015
RESISTOR				
R	16	SURFACE MOUNTED POTENTIOMETER	ST-3A 5 KOHMS 20%	T1002027
R	12 13	SURFACE MOUNTED POTENTIOMETER	ST-3A 500 OHMS 20%	T1002085
R	210 212 213 215 219 222 228 230 243 405 456 457	SURFACE MOUNTED RESISTOR	RR0603 0 OHM 1/16W K250	T9000877
R	480	SURFACE MOUNTED RESISTOR	44RR0603 10 OHMS 5% 1/16W K250	T9000933
R	102	SURFACE MOUNTED RESISTOR	44RR0603 2.7 KOHMS 5% 1/16W K	T9000988
R	101	SURFACE MOUNTED RESISTOR	44RR0603 300 OHMS 5% 1/16W	T9001041
R	110	SURFACE MOUNTED RESISTOR	44RR0603 470 OHMS 5% 1/16W	T9001046
R	240 241 242	SURFACE MOUNTED RESISTOR	44RR0603 12 KOHMS 5% 1/16W	T9001055
R	451	SURFACE MOUNTED RESISTOR	44RR0603 20 KOHMS 5% 1/16W	T9001060
R	120	SURFACE MOUNTED RESISTOR	RR0603 1 KOHM 1% 1/10W K100	T9005114
R	452	SURFACE MOUNTED RESISTOR	RR0603 10 KOHM 1% 1/10W K100	T9005115
R	601 602	SURFACE MOUNTED RESISTOR	RR0603 100 KOHM 1% 1/10W K100	T9005116
R	150 430 431 432 433 454	SURFACE MOUNTED RESISTOR	RR0603 47.5 OHM 1% 1/10W K100	T9005124
R	123 267 268 269 270 271 272	SURFACE MOUNTED RESISTOR	RR0603 2 KOHM 1% 1/10W K100	T9005136
R	201 203	SURFACE MOUNTED RESISTOR	RR0603 100 OHM 1% 1/10W K100	T9005153
R	10 160 217 223 224 225 226 227 233 234 235 236			
R	251 252 253 254 255 256 257 258 259 260 261 262			
R	265 266 302 420 421 422 423 424 425 426 427 453			
R	600			
R	200 202	SURFACE MOUNTED RESISTOR	RR0603 221 OHM 1% 1/10W K100	T9005157
R	161 455	SURFACE MOUNTED RESISTOR	RR0603 47.5KOHM 1% 1/10W K100	T9005188
TEST POINT				
TP	1 2 3 4 5 6 7 8 9 10 11 12 13 17 50	SURFACE MOUNTED TERMINAL PIN	RCT00000C	T1002596
INTEGRATED CIRCUIT				
Z	220	SURFACE MOUNTED INTEGR. CIRCUIT	74AC08 S014P -40+85	364081
Z	200 450	SURFACE MOUNTED INTEGR. CIRCUIT	74HC221 S016P -40+85	365123
Z	160	SURFACE MOUNTED INTEGR. CIRCUIT	74HC123 S016P -40+85	99138868
Z	300 510	SURFACE MOUNTED INTEGR. CIRCUIT	74HC74 S014P -40+85	99142001
Z	500	SURFACE MOUNTED INTEGR. CIRCUIT	74HC86 S014P -40+85	99142998
Z	120 480	SURFACE MOUNTED INTEGR. CIRCUIT	74AC04 S014P -40+85	T9001464
Z	150	SURFACE MOUNTED INTEGR. CIRCUIT	74AC109 S016P -40+85	T9001535
Z	400	SURFACE MOUNTED EEPROM	1KX16/2KX8 1MHZ 3MA S08P-40+85	T9001604
Z	210	SURFACE MOUNTED INTEGR. CIRCUIT	MNS239 QF128	T9004287

46150606AA

SCHEMA

REF.	REFERENCE NUMBER	DESCRIPTION	VALUE	PART NO
CAPACITOR				
C	402	SURFACE MOUNTED CAPACITOR	CTC3B 2.2MF 20%	20V DOC. 96103241
C	100 101 111 121 130 134 141 150 151 170 430 480	SURFACE MOUNTED CAPACITOR	CTC3A 1MF 20%	16V 99142711
	530 700 701 702 703 704 705 706 707 708 709 710			
	711 712			
C	3 190 200 201 221	SURFACE MOUNTED CAPACITOR	CTC3D 47MF 20%	16V T1006086
C	140	SURFACE MOUNTED CAPACITOR	CAC66 10 MF 20%	50V -40+105 T9000691
C	132 133 153 171	SURFACE MOUNTED CAPACITOR	CAC66 22 MF 20%	35V -40+105 T9000692
C	112 122 160	SURFACE MOUNTED CAPACITOR	CAC66 47 MF 20%	16V -40+105 T9000693
C	380 390	SURFACE MOUNTED CAPACITOR	CC0603-1CG-J 56 PF	5% 6.3V T9000965
C	431 481 531	SURFACE MOUNTED CAPACITOR	CAC46 10MF 20%	16V -55+105 T9001328
C	203 204 205 206 207 208 233 234 235 236 237 238	SURFACE MOUNTED CAPACITOR	CTC3B 6.8MF 20%	10V T9001366
	250 263 264 265 266 267 268 293 294 295 296 297			
	298 423 450 460 555 556			
C	110 120	SURFACE MOUNTED CAPACITOR	CTC3B 4.7MF 20%	16V T9001370
C	102 131 152 290 482	SURFACE MOUNTED CAPACITOR	CTC3D 22MF 20%	20V T9003002
C	1 2 154 212 222 242 291	SURFACE MOUNTED CAPACITOR	CTC3D 68UF 20%	16V T9003349
C	400	SURFACE MOUNTED CAPACITOR	CTC3C 10UF 20%	16V POLARISE T9003419
C	440 490 540	SURFACE MOUNTED CAPACITOR	CC0805B-X7R 100 NF	10% 50V T9004666
DIODE				
CR	380 390 420	SURFACE MOUNTED DIODE	BA516 SOT23	99110304
CR	202 203 204 232 233 234 262 263 264 292 293 294	SURFACE MOUNTED DIODE	BAW56 SOT23 [A1]	99111266
	555			
CR	130 150	SURFACE MOUNTED DIODE	BAV99 SOT23	99116852
DIODE				
CR2700	701 702 703 704 705 706 707 708 709 710 711	SURFACE MOUNTED DIODE	BZX84C5V6 SOT23 [23]	99123960
	712			
CONNECTOR (FIXED)				
J	40 50 60	SURFACE MOUNTED CONNECTOR	52103-1817 (EFC-18S)	T1002545
J	41	SURFACE MOUNTED CONNECTOR	SMC-B-50-M-AB-CL-107	T1002997
TRANSISTOR				
Q	390	SURFACE MOUNTED TRANSISTOR	BFR92A NPN SOT23	342011
Q	430 480 530	SURFACE MOUNTED TRANSISTOR	SO3904 NPN SOT23	99110321
Q	410	SURFACE MOUNTED TRANSISTOR	SO2894 PNP SOT23	99110324
Q	400	SURFACE MOUNTED TRANSISTOR	*O*SO2369A NPN SOT23	99110325
Q	380	SURFACE MOUNTED TRANSISTOR	BFT92 PNP SOT23 [W1]	99116854
Q	110 120 140 170	SURFACE MOUNTED TRANSISTOR	BCX19 NPN SOT23 [U1]	99123949
Q	160	SURFACE MOUNTED TRANSISTOR	BCX17 PNP SOT23 [T1]	99123957
RESISTOR				
R	10 11 12 13	SURFACE MOUNTED POTENTIOMETER	ST-3A 50 KOHMS 20%	T1002025
R	173 200 382 441 444 491 494 541 544 551 552	SURFACE MOUNTED RESISTOR	RR0603 0 OHM	1/16W K250 T9000877
R	217 247	SURFACE MOUNTED RESISTOR	RC2211 1 KOHM	0.5% 1/5W K50 T9000924
R	113 119 133 153 160 401 433 483 533	SURFACE MOUNTED RESISTOR	***RR0603 10 OHMS	5% 1/16W K250 T9000933
R	400 410	SURFACE MOUNTED RESISTOR	***RR0603 33 OHMS	5% 1/16W K250 T9000945
R	500 602 604	SURFACE MOUNTED RESISTOR	***RR0603 39 OHMS	5% 1/16W K250 T9000947
R	123	SURFACE MOUNTED RESISTOR	***RR0603 6.2 KOHMS	5% 1/16W K T9000997
R	431 481 531	SURFACE MOUNTED RESISTOR	***RR0603 560 OHMS	5% 1/16W T9001048
R	114	SURFACE MOUNTED RESISTOR	***RR0603 12 KOHMS	5% 1/16W T9001055
R	152 432 482 532	SURFACE MOUNTED RESISTOR	***RR0603 20 KOHMS	5% 1/16W T9001060
R	115 124	SURFACE MOUNTED RESISTOR	***RR0603 27 KOHMS	5% 1/16W T9001063
R	171	SURFACE MOUNTED RESISTOR	***RR0603 43 KOHMS	5% 1/16W T9001068
R	174	SURFACE MOUNTED RESISTOR	RR0603 430 KOHMS	5% 1/16W K250 T9001091
R	216 246	SURFACE MOUNTED RESISTOR	RC2211 3.32 KOHM	0.5% 1/5W K50 T9001115
R	110 111 112 120 121 122	SURFACE MOUNTED RESISTOR	RC2211 10 OHMS	1% 1/5W K50 T9001158
R	202 205 206 209 212 215 232 235 236 239 240 243	SURFACE MOUNTED RESISTOR	RC2211 4.7 OHMS	2% 1/5W K50 T9001168
	262 265 266 269 270 273 292 295 296 299 300 303			
	555 558			
R	100 101 130 132 150 151 423 430 480 530	SURFACE MOUNTED RESISTOR	RR0603 10 KOHM	1% 1/10W K100 T9005115
R	203 204 207 208 213 214 233 234 237 238 241 242	SURFACE MOUNTED RESISTOR	RR0603 100 KOHM	1% 1/10W K100 T9005116
	263 264 267 268 271 272 293 294 297 298 301 302			
	422 556 557			
R	450 451 452 453 454 455 460 461 462 463 464 465	SURFACE MOUNTED RESISTOR	RR0603 15 OHM	1% 1/10W K100 T9005118
	470 471 472 473 474 475			
R	390	SURFACE MOUNTED RESISTOR	RR0603 47.5 OHM	1% 1/10W K100 T9005124
R	391	SURFACE MOUNTED RESISTOR	RR0603 2.21KOHM	1% 1/10W K100 T9005137
R	424	SURFACE MOUNTED RESISTOR	RR0603 4.75KOHM	1% 1/10W K100 T9005145
R	131 140 170	SURFACE MOUNTED RESISTOR	RR0603 100 OHM	1% 1/10W K100 T9005153
R	700 701 702 703 704 705 706 707 708 709 710 711	SURFACE MOUNTED RESISTOR	RR0603 15 KOHM	1% 1/10W K100 T9005176
	712			
R	141 172	SURFACE MOUNTED RESISTOR	RR0603 22.1KOHM	1% 1/10W K100 T9005180
TEST POINT				
TP	1 2 4 5 6 7 8 9 10 11 12 13 14 15	SURFACE MOUNTED TERMINAL PIN	RCT00000C	T1002596
INTEGRATED CIRCUIT				
Z	440 490 540	SURFACE MOUNTED INTEGR. CIRCUIT	74AC08 S014P -40+85	364081
Z	200 210 220 260 270 290 550	SURFACE MOUNTED INTEGR. CIRCUIT	CXD1268M S020P DRIVER CCD	T1002961
Z	450 460 470	SURFACE MOUNTED INTEGR. CIRCUIT	74ACT04 S014P -40+85	T9000059
Z	100 130 150	SURFACE MOUNTED INTEGR. CIRCUIT	082 S08P -40+85	T9000867
Z	180 190	SURFACE MOUNTED INTEGR. CIRCUIT	4426 0+70 S0P8 (.15)	T9001665

46150619AA

SCHEMA

REF.	REFERENCE NUMBER	DESCRIPTION	VALUE	PART NO
CAPACITOR				
C	83 102 361 373 661 673	SURFACE MOUNTED ADJUST. CAPA	ECR-JA006A11 (2.5/6 PF 100V)	91612112
C	103 701	SURFACE MOUNTED ADJUST. CAPA	ECR-JA010A11 3.5/10PF 100V	91621499
C	70 320 370 430 670	SURFACE MOUNTED CAPACITOR	CTC3A 1MF 20% 16V	99142711
C	40 80 100 340 380 400 440 450 640 680 700	SURFACE MOUNTED CAPACITOR	CC0603-1CG-J 22 PF 5% 63V	T9000961
C	101 372 672	SURFACE MOUNTED CAPACITOR	CC0603-1CG-J 1.5PF+-0.25PF 63V	T9000973
C	82 360 660	SURFACE MOUNTED CAPACITOR	CC0603-1CG-J 2.2PF+-0.25PF 63V	T9000974
C	41 341 641	SURFACE MOUNTED CAPACITOR	CC0603-1CG-J 8.2PF+-0.25PF 63V	T9000978
C	71 371 431 620 671	SURFACE MOUNTED CAPACITOR	CC0603-2C1 10NF 10% 63V	T9001016
C	190 191 490 491 790 791	SURFACE MOUNTED CAPACITOR	CC0603-1CG-J 27 PF 5% 63V	T9001179
C	165 465 765	SURFACE MOUNTED CAPACITOR	CC0603-1CG-J 5.6PF+-0.25PF 63V	T9001194
C	200 310 600	SURFACE MOUNTED CAPACITOR	CTC3D 22MF 20% 16V	T9001718
C	1 2 3 4 5 6 90	SURFACE MOUNTED CAPACITOR	CTC3D 68UF 20% 16V	T9003349
C	500 501	SURFACE MOUNTED CAPACITOR	CTC3E 100UF 10% 16V TANTALE	T9004239
C	451	SURFACE MOUNTED ADJUST. CAPA	ECR-JA050M (8.5/50PF 100V)	T9004246
C	30 42 60 163 164 330 420 463 464 630 642 662 763 764 1000 1010 1020	SURFACE MOUNTED CAPACITOR	CC0805B-K7R 100 NF 10% 50V	T9004666
DIODE				
CR	70 320 370 430 670	SURFACE MOUNTED DIODE	BAS16 SOT23	99110304
CR	10 100 310 610 1310 1610	SURFACE MOUNTED DIODE	BAV99 SOT23	99116852
DELAY LINE				
DL	1 2 3	SURFACE MOUNTED DELAY LINE	DPI S14-GW 40NS 220 OHMS	T1002112
CONNECTOR (FIXED)				
J	31 32 33	SURFACE MOUNTED CONNECTOR	52103-0417 (EFC-4S)	T1002087
J	34	SURFACE MOUNTED CONNECTOR	52103-0817 (EFC-8S)	T1002088
INDUCTOR				
L	190 191 490 491 790 791	SURFACE MOUNTED INDUCTOR	LC1812 1.8 MICROHENRY 10%	T9001178
L	1 2	SURFACE MOUNTED INDUCTOR	LC2220 22 UH 10% (OR09)	T9001335
CONNECTOR (MOBILE)				
P	35	SURFACE MOUNTED CONNECTOR	SMC-B-50-M-AB-CL-107	T1002997
TRANSISTOR				
Q	40 80 100 340 380 400 440 450 640 680 700	SURFACE MOUNTED TRANSISTOR	SST309 NFET SOT23	91689015
Q	50 350 390 410 650	SURFACE MOUNTED TRANSISTOR	S03904 NPN SOT23	99110321
Q	10 30 310 330 610 630	SURFACE MOUNTED TRANSISTOR	S03906 PNP SOT23	99110322
Q	20 60 70 320 360 370 420 430 620 660 670	SURFACE MOUNTED TRANSISTOR	BS222 FET SOT143 [M32]	T1000318
RESISTOR				
R	6	SURFACE MOUNTED POTENTIOMETER	ST-4B 5 KOHMS 20%	91619672
R	3	SURFACE MOUNTED POTENTIOMETER	ST-4B 2 KOHMS 20%	91619677
R	9	SURFACE MOUNTED POTENTIOMETER	ST-4B 500 OHMS 20%	91620902
R	2 5 8	SURFACE MOUNTED POTENTIOMETER	ST-3A 20 KOHMS 20%	T1002026
R	1 4 7	SURFACE MOUNTED POTENTIOMETER	ST-3A 200 OHMS 20%	T1002049
R	14 101 170 316 451 470 614 701 770	SURFACE MOUNTED RESISTOR	RR0603 0 OHM 1/16W K250	T9000877
R	1000 1010 1020	SURFACE MOUNTED RESISTOR	%%RR0603 10 OHMS 5% 1/16W K250	T9000933
R	191 491 791 1002 1005 1006 1007 1012 1013 1015 1017	SURFACE MOUNTED RESISTOR	%%RR0603 33 OHMS 5% 1/16W K250	T9000945
R	778	SURFACE MOUNTED RESISTOR	%%RR0603 75 OHMS 5% 1/16W K250	T9000954
R	161 461 761	SURFACE MOUNTED RESISTOR	%%RR0603 1.2 KOHM 5% 1/16W K250	T9000980
R	50 350 390 410 650	SURFACE MOUNTED RESISTOR	%%RR0603 3 KOHMS 5% 1/16W K	T9000989
R	164 464 764	SURFACE MOUNTED RESISTOR	%%RR0603 3.6 KOHMS 5% 1/16W K	T9000991
R	11 311 611	SURFACE MOUNTED RESISTOR	%%RR0603 150 OHMS 5% 1/16W	T9001034
R	178 478 500 501	SURFACE MOUNTED RESISTOR	%%RR0603 470 OHMS 5% 1/16W	T9001046
R	160 460 760	SURFACE MOUNTED RESISTOR	%%RR0603 910 OHMS 5% 1/16W	T9001053
R	177 477 777	SURFACE MOUNTED RESISTOR	%%RR0603 75 KOHMS 5% 1/16W	T9001074
R	315	SURFACE MOUNTED RESISTOR	%%RR0603 120 KOHMS 5% 1/16W	T9001078
R	71 371 431 671	SURFACE MOUNTED RESISTOR	%%RR0603 180 KOHMS 5% 1/16W	T9001082
R	73 320 373 433 673	SURFACE MOUNTED RESISTOR	%%RR0603 390 KOHMS 5% 1/16W	T9001090
R	180 480 780	SURFACE MOUNTED RESISTOR	RC2211 75 OHMS 0.5% 1/5W K50	T9001105
R	163 179 190 463 479 490 763 779 790	SURFACE MOUNTED RESISTOR	RR0603 1 KOHM 1% 1/10W K100	T9005114
R	91 802 1004 1011 1014	SURFACE MOUNTED RESISTOR	RR0603 10 KOHM 1% 1/10W K100	T9005115
R	1001 1003 1015 1021	SURFACE MOUNTED RESISTOR	RR0603 100 KOHM 1% 1/10W K100	T9005116
R	81 103 441 453 681 703	SURFACE MOUNTED RESISTOR	RR0603 47.5 OHM 1% 1/10W K100	T9005124
R	165 465 765	SURFACE MOUNTED RESISTOR	RR0603 1.5 KOHM 1% 1/10W K100	T9005133
R	12 30 41 80 100 312 330 341 380 400 440 450 612 630 641 680 700	SURFACE MOUNTED RESISTOR	RR0603 2 KOHM 1% 1/10W K100	T9005136
R	13 31 40 313 331 340 381 401 613 631 640	SURFACE MOUNTED RESISTOR	RR0603 100 OHM 1% 1/10W K100	T9005153
R	166 174 466 474 766 774	SURFACE MOUNTED RESISTOR	RR0603 221 OHM 1% 1/10W K100	T9005157
R	10 310 610	SURFACE MOUNTED RESISTOR	RR0603 15 KOHM 1% 1/10W K100	T9005176
R	72 322 372 432 672	SURFACE MOUNTED RESISTOR	RR0603 47.5 KOHM 1% 1/10W K100	T9005188
R	200	SURFACE MOUNTED RESISTOR	RR0603 475 KOHM 1% 1/10W K100	T9005208
TEST POINT				
TP	1 2 3 4 5 6 7 8 9 10 11 12 13 14 15 16 17 18 19 20	SURFACE MOUNTED TERMINAL PIN	RCT00000C	T1002596
WIRE				
W	21	WIRE	WF 108 GAINÉ BLANCHE	91308918
INTEGRATED CIRCUIT				
Z	1000 1010	SURFACE MOUNTED INTEGR. CIRCUIT	74AC08 S014P -40+85	364081
Z	200 400 600	SURFACE MOUNTED INTEGR. CIRCUIT	*M*74HC4053 S016P -40+85	99137357
Z	160 460 760	SURFACE MOUNTED INTEGR. CIRCUIT	LT1229CS8 S08P 0+70	T1001991
Z	1020	SURFACE MOUNTED INTEGR. CIRCUIT	74AC04 S014P -40+85	T9001464

46150607AA

SCHEMA

REF.	REFERENCE NUMBER	DESCRIPTION	VALUE	PART NO
CAPACITOR				
C	104 105	SURFACE MOUNTED CAPACITOR	CTC3B 2.2MF 20% 20V DOC.	96103241
C	1 110 111	SURFACE MOUNTED CAPACITOR	CTC3D 22MF 20% 20V	T9003002
C	100 101 102 103	SURFACE MOUNTED CAPACITOR	CC0805B-X7R 100 NF 10% 50V	T9004666
CONNECTOR (FIXED)				
J	2	SURFACE MOUNTED CONNECTOR	52103-0417 (EFC-4S)	T1002087
J	1	SURFACE MOUNTED CONNECTOR	52103-1817 (EFC-18S)	T1002546
TRANSISTOR				
Q	110	SURFACE MOUNTED TRANSISTOR	SO3904 NPN SOT23	99110321
Q	120	SURFACE MOUNTED TRANSISTOR	BF569 PNP [L6] [LH]	99123887
Q	130	SURFACE MOUNTED TRANSISTOR	BFS20 NPN SOT23 [G1]	99123959
RESISTOR				
R	121	SURFACE MOUNTED RESISTOR	***RR0603 240 OHMS 5% 1/16W	T9001039
R	130	SURFACE MOUNTED RESISTOR	***RR0603 300 OHMS 5% 1/16W	T9001041
R	112	SURFACE MOUNTED RESISTOR	***RR0603 560 OHMS 5% 1/16W	T9001048
R	131	SURFACE MOUNTED RESISTOR	RC2211 4.7 OHMS 2% 1/5W R50	T9001168
R	100 101 102 103 120	SURFACE MOUNTED RESISTOR	RR0603 47.5 OHM 1% 1/10W K100	T9005124
R	132	SURFACE MOUNTED RESISTOR	RR0603 68.1 OHM 1% 1/10W K100	T9005127
R	105 106 110	SURFACE MOUNTED RESISTOR	RR0603 3.32KOHM 1% 1/10W K100	T9005141
R	104 111	SURFACE MOUNTED RESISTOR	RR0603 47.5KOHM 1% 1/10W K100	T9005188
TEST POINT				
TP	1	SURFACE MOUNTED TERMINAL PIN	RCT00000C	T1002596
INTEGRATED CIRCUIT				
Z	1000A 1000B	TERMINAL STRIP	1-16-D-F-127-Y1	T9001445

< last page >

46150617AA

SCHEMA

REF.	REFERENCE NUMBER	DESCRIPTION	VALUE	PART NO
CAPACITOR				
C	104 105	SURFACE MOUNTED CAPACITOR	CTC3B 2.2MF 20% 20V DOC.	96103241
C	1 110 111	SURFACE MOUNTED CAPACITOR	CTC3D 22MF 20% 20V	T9003002
C	100 101 102 103	SURFACE MOUNTED CAPACITOR	CC0805B-K7R 100 NF 10% 50V	T9004666
CONNECTOR (FIXED)				
J	2	SURFACE MOUNTED CONNECTOR	52103-0417 (EFC-4S)	T1002087
J	1	SURFACE MOUNTED CONNECTOR	52103-1817 (EFC-18S)	T1002545
TRANSISTOR				
Q	110	SURFACE MOUNTED TRANSISTOR	S03904 NPN SOT23	99110321
Q	120	SURFACE MOUNTED TRANSISTOR	BF569 PNP [L6] [LH]	99123887
Q	130	SURFACE MOUNTED TRANSISTOR	BFS20 NPN SOT23 [G1]	99123959
RESISTOR				
R	121	SURFACE MOUNTED RESISTOR	***RRO603 240 OHMS 5% 1/16W	T9001039
R	112 130	SURFACE MOUNTED RESISTOR	***RRO603 560 OHMS 5% 1/16W	T9001048
R	131	SURFACE MOUNTED RESISTOR	RC2211 4.7 OHMS 2% 1/5W K50	T9001168
R	100 101 102 103 120	SURFACE MOUNTED RESISTOR	RRO603 47.5 OHM 1% 1/10W K100	T9005124
R	132	SURFACE MOUNTED RESISTOR	RRO603 68.1 OHM 1% 1/10W K100	T9005127
R	105 106 110	SURFACE MOUNTED RESISTOR	RRO603 3.32KOHM 1% 1/10W K100	T9005141
R	104 111	SURFACE MOUNTED RESISTOR	RRO603 47.5KOHM 1% 1/10W K100	T9005188
INTEGRATED CIRCUIT				
Z	1000A 1000B	TERMINAL STRIP	1-16-D-F-127-Y1	T9001445

< last page >

REF.	REFERENCE NUMBER	DESCRIPTION	VALUE	PART NO
CAPACITOR				
C	1 2 3 4 5 6 7 8 9	CONDENSATEUR CHIPS	CTC3B 47NF 20%	16V T1006086
C	932 933	CONDENSATEUR CHIPS	CC0605B-2C1 2,2 NF 10% 100V	T9000442
C	351 352	CONDENSATEUR CHIPS	CC0603-1CG-J 100 PF 5% 63V	T9000870
C	210 622	CONDENSATEUR CHIPS	CC0603-1CG-J 330 PF 5% 63V	T9000872
C	100 200 220 230 231 290 300 310 320 330 350 400	CONDENSATEUR CHIPS	CC0605B-X7R 0,1MF 10% 25V	T9000957
	410 420 421 430 431 500 501 510 511 520 521 530			
	580 581 600 601 610 611 620 621 680 681 690 720			
	721 730 731 800 801 810 811 820 821 900 910 911			
	930 931 940 950 1010 1011 1040 1050			
C	582 682	CONDENSATEUR CHIPS	CC0603-1CG-J 3,3PF+-0,25PF 63V	T9000975
C	211	CONDENSATEUR CHIPS	CTC3B 4,7NF 20% 16V	T9001370
DIODE				
CR	220	DIODE CMS	BAS1G SOT23 [A6]	99110304
CONNECTOR (FIXED)				
J	703	CONNECTEUR	LX-4P-D4T1-P1	T1000098
J	203	CONNECTEUR CMS	52103-2217 (EFC-22S)	T1001953
J	201 502	CONNECTEUR CMS	52103-1017 (EFC-10S)	T1002086
J	301 701	CONNECTEUR CMS	52103-0817 (EFC-8S)	T1002088
J	302 303	CONNECTEUR CMS	52103-1617 (EFC-16S)	T1002412
J	401 402 603 702	CONNECTEUR CMS	52103-1817 (EFC-18S)	T1002545
J	101 102 103 104 105 106 107 152	CONNECTEUR CMS	EPD2X25+##S#-SMCB#-M1,27D4-D##	T9003131
J	602	CONNECTEUR	E#C2T24+##P2-FFC#-M1,25E2-##	T9003620
TRANSISTOR				
Q	270 340 540	TRANSISTOR CMS	2N7002 SOT23 [702] [72AB]	91685632
Q	260 550	TRANSISTOR CMS	BCW70 PNP SOT23 [H2]	99110309
Q	940 1040	TRANSISTOR CMS	BCX19 NPN SOT23 [U1]	99123949
Q	280 950 1050	TRANSISTOR CMS	BCX17 PNP SOT23 [T1]	99123957
RESISTOR				
R	238 291 292 330 430 501 511 521 624 625 734 801	RESISTANCE CHIPSE	RRO603 1 KOHM 5% 1/16W K250	T9000696
	811 821			
R	271 272 340 351 352 930 931 934 935	RESISTANCE CHIPSE	RRO603 10 KOHMS 5% 1/16W K250	T9000697
R	100 200 201 202 203 204 205 206 220 221 240 241	RESISTANCE CHIPSE	RRO603 100 KOHMS 5% 1/16W K250	T9000698
	242 243 244 245 246 247 270 290 300 320 391 400			
	540 900 901 902 903			
R	10 107 108 109 321 536 735 910 918 943 953 1042	RESISTANCE CHIPSE	RRO603 0 OHM 1/16W K250	T9000877
	1053			
R	580 622 680 732	RESISTANCE CHIPSE	RC2211 1 KOHM 0,5% 1/5W K50	T9000924
R	942 952 1050 1052	RESISTANCE CHIPSE	RRO603 10 OHMS 5% 1/16W K250	T9000933
R	940 1040	RESISTANCE CHIPSE	RRO603 1,5 KOHM 5% 1/16W K250	T9000982
R	612 722	RESISTANCE CHIPSE	RRO603 2,2 KOHMS 5% 1/16W K250	T9000986
R	230 800 810 820	RESISTANCE CHIPSE	RRO603 2,7 KOHMS 5% 1/16W K250	T9000988
R	611 721	RESISTANCE CHIPSE	RRO603 4,3 KOHMS 5% 1/16W K250	T9000993
R	261 335 434	RESISTANCE CHIPSE	RRO603 4,7 KOHMS 5% 1/16W K250	T9000994
R	610 720	RESISTANCE CHIPSE	RRO603 5,6 KOHMS 5% 1/16W K250	T9000996
R	237	RESISTANCE CHIPSE	RRO603 8,2 KOHMS 5% 1/16W K250	T9001000
R	40 41 110 111	RESISTANCE CHIPSE	RRO603 100 OHMS 5% 1/16W K250	T9001030
R	582 682	RESISTANCE CHIPSE	RRO603 330 OHMS 5% 1/16W K250	T9001042
R	262 512 522	RESISTANCE CHIPSE	RRO603 470 OHMS 5% 1/16W K250	T9001046
R	234	RESISTANCE CHIPSE	RRO603 13 KOHMS 5% 1/16W K250	T9001056
R	541 542 550	RESISTANCE CHIPSE	RRO603 15 KOHMS 5% 1/16W K250	T9001057
R	236	RESISTANCE CHIPSE	RRO603 18 KOHMS 5% 1/16W K250	T9001059
R	231 911 916 1011 1016	RESISTANCE CHIPSE	RRO603 20 KOHMS 5% 1/16W K250	T9001060
R	232 233	RESISTANCE CHIPSE	RRO603 43 KOHMS 5% 1/16W K250	T9001068
R	260 500 510 520	RESISTANCE CHIPSE	RRO603 47 KOHMS 5% 1/16W K250	T9001069
R	235	RESISTANCE CHIPSE	RRO603 82 KOHMS 5% 1/16W K250	T9001075
R	436	RESISTANCE CHIPSE	RRO603 130 KOHMS 5% 1/16W K250	T9001079
R	210	RESISTANCE CHIPSE	RRO603 150 KOHMS 5% 1/16W K250	T9001080
R	422 423	RESISTANCE CHIPSE	RRO603 270 KOHMS 5% 1/16W K250	T9001086
R	420 421	RESISTANCE CHIPSE	RRO603 390 KOHMS 5% 1/16W K250	T9001090
R	211	RESISTANCE CHIPSE	RRO603 680 KOHMS 5% 1/16W K250	T9001096
R	932 933 936 937	RESISTANCE CHIPSE	RRO603 3,3 MEGOHM 5% 1/16W	T9001103
R	513 523 623 733 799 802 812 822	RESISTANCE CHIPSE	RC2211 75 OHMS 0,5% 1/5W K50	T9001105
R	912 913 914 915 917 1012 1013 1014 1015 1017	RESISTANCE CHIPSE	RC2211 2,21 KOHM 0,5% 1/5W K50	T9001117
R	581 681	RESISTANCE CHIPSE	RC2211 2 KOHMS 0,5% 1/5W K50	T9001150
R	280 281 941 951 1041 1051	RESISTANCE CHIPSE	RC2211 24 OHMS 1% 1/5W K50	T9001154
R	431 433 435	RESISTANCE CHIPSE	RC2211 4,7 KOHMS 0,5% 1/5W K50	T9001218
R	620 730	RESISTANCE CHIPSE	RC2211 1,91 KOHM 0,5% 1/5W K50	T9001263
R	432	RESISTANCE CHIPSE	RC2211 6,81 KOHM 0,5% 1/5W K50	T9001344
TEST POINT				
TP	1 2 3 4 10 11 12 13 14 15 20 21 22 30 31 32 33	PLOT CMS	RCT000GOC	T1002596
	200 201 202			
INTEGRATED CIRCUIT				
Z	210 350	CIRCUIT INTEGRE CMS	*M*PC74HC4538T S016P -40+85	91680869
Z	100 690	CIRCUIT INTEGRE CMS	74HC08 S014P -40+85	99137356
Z	600	CIRCUIT INTEGRE CMS	*M*74HC4053 S016P -40+85	99137357
Z	410	CIRCUIT INTEGRE CMS	*M*74HC138 S016P -40+85	99142171
Z	230 420	CIRCUIT INTEGRE CMS	*M*74HC4051 S016P -40+85	99165327
Z	430	CIRCUIT INTEGRE CMS	LMC6492AIM S08P -40+85	T1002656
Z	500 510 520 610 620 720 730 800 810 820	CIRCUIT INTEGRE CMS	CLC405AJE S08 -40+85	T1005343
Z	200 220 400 530 900	MICROPROCESSEUR CMS	68HC68P1 S016P -40+85 881T	T9000419
Z	580 680 910 1010	CIRCUIT INTEGRE CMS	74HC4052 S016P -40+85	T9000721
Z	930	CIRCUIT INTEGRE CMS	082 S08P -40+85	T9000867
Z	290	CIRCUIT INTEGRE CMS	*M*74HC4515 S024P -40+85	T9001318
Z	300	CIRCUIT INTEGRE CMS	74HC4514 S024P -40+85	T9001319
Z	320 330	CIRCUIT INTEGRE CMS	74HC125 S014P -40+85	T9001569
Z	310	MEMOIRE EEPROM CMS	1KX16/2KX8 1MHZ 3MA S08P-40+85	T9001604

REF.	REFERENCE NUMBER	DESCRIPTION	VALUE	PART NO
2	2A	RONDELLE	DOUILLE FOUR DOUILLE A SERTIR	39965351 47018101
BT 210		FILE	345-0 (3V 45MAH)	T1002993
CAPACITOR		CONDENSATEUR CHIPS	CTC3A 0,47NF 20% 25V DOC.	96103224
C 582 583 684		CONDENSATEUR CHIPS	CTC3A 1MF 20% 16V	99142711
C 585 586 682 683 764 765		CONDENSATEUR CHIPS	CC0605B-1CG 100 PF 5% 100V	99187412
C 171		CONDENSATEUR CHIPS	CTC3D 47NF 20% 16V	T1006086
C 551 553 701 783		CONDENSATEUR CHIPS	CC0603-1CG-J 220 PF 5% 63V	T9000871
C 832		CONDENSATEUR CHIPS	CC0603-1CG-J 330 PF 5% 63V	T9000872
C 282 1005		CONDENSATEUR CHIPS	CC0805B-X7R 0,1MF 10% 25V	T9000957
C 100 110 111 112 113 140 170 190 210 211 220 230				
C 240 250 280 281 300 301 302 310 311 312 320 340				
C 400 410 420 450 460 461 462 463 550 552 580 581				
C 610 611 630 631 650 651 653 654 655 680 681 700				
C 701 710 711 760 761 763 780 782 830 831 880 910				
C 930 931 940 941 942 950 951 1000 1001 1002 1003				
C 1004 1006 1007 1030 1040 1041 1050 1070 1071 1080				
C 1081 1200 1210 1240 1250 1260 1280 1380 1400 1420				
C 1421 1430				
C 762 932		CONDENSATEUR CHIPS	CC0603-1CG-J 15 PF 5% 63V	T9000959
C 634		CONDENSATEUR CHIPS	CC0603-1CG-J 22 PF 5% 63V	T9000961
C 114 115 150 151		CONDENSATEUR CHIPS	CC0603-1CG-J 33 PF 5% 63V	T9000962
C 321		CONDENSATEUR CHIPS	CC0603-1CG-J 150 PF 5% 63V	T9000969
C 800		CONDENSATEUR CHIPS	CC0603-1CG-J 390 PF 5% 63V	T9000971
C 584 587 933 954 1220 1221		CONDENSATEUR CHIPS	CC0603-2C1 10NF 10% 63V	T9001016
C 600 784		CONDENSATEUR CHIPS	CC1210B-1CG 10NF 10% 50/63V	T9001368
C 785		CONDENSATEUR CHIPS	CC0805-1CG-J 1 NF 5% 50/63V	T9001368
C 221 231 652		CONDENSATEUR CHIPS	CTC3B 4,7NF 20% 16V	T9001370
C 1251 1252 1253 1254		CONDENSATEUR CHIPS	CAC46 1MF 20% 50V -55+105	T9001770
C 5 1082 1100		CONDENSATEUR CHIPS	CTC3D 22NF 20% 20V	T9003002
C 1 2 3 4 109 464 1201 1255		CONDENSATEUR CHIPS	CTC3B 68UF 20% 16V	T9003349
DIODE		DIODE CMS	BAR435 SOT23 [DA5]	91605873
CR 1400		DIODE CMS	BAS16 SOT23 [A6]	99110304
CR 830		DIODE CMS	BAV99 SOT23	99116852
CR 680				
LED		DIODE ELECTROLUMINESCENTE CMS	L5S260-DO SOT23 ROUGE	306024
CRL140		DIODE ELECTROLUMINESCENTE CMS	L6S260-DO VERTE	91613459
CRL110 1220				
BIODE		BIODE CMS	BZX84C15 SOT23 [Y4]	99111201
CRZ1240 1241 1242 1243				
FUSE		FUSIBLE CMS	SHD125-2 1,25A IT-2,5A	T1007028
F 1				
CONNECTOR (FIXED)		CONNECTEUR CMS	52103-1017 (EFC-10S)	T1002086
J 502		CONNECTEUR CMS	52103-1217 (EFC-12S)	T1002118
J 503		CONNECTEUR CMS	52103-1817 (EFC-18S)	T1002545
J 401 402				
INDUCTOR		INDUCTANCE CMS	LC1812 6,8 MICROHENRYS 10%	T9001193
L 460 461 462 463		INDUCTANCE CMS	LC2220 4,7UH 10% (OR11)	T9001334
L 1 2 3 4				
TRANSISTOR		TRANSISTOR CMS	2N7002 SOT23 [702] [72AB]	91685632
Q 1440		TRANSISTOR CMS	BCV62A PNP SOT143	T9001248
Q 560 790 800 820		TRANSISTOR CMS	BCV61B NPN SOT143	T9001555
Q 600				
RESISTOR		POTENTIOMETRE CMS	ST-3A 10 KOHMS 20%	T1001973
R 664		POTENTIOMETRE CMS	ST-3A 50 KOHMS 20%	T1002025
R 649 687		POTENTIOMETRE CMS	ST-3A 5 KOHMS 20%	T1002027
R 764		RESISTANCE CHIPSE	RR0603 4,32KOHM 0,5% 1/16W K25	T1005980
R 791		RESISTANCE CHIPSE	RC603 249KOHMS 0,5% 1/16W K50	T1005981
R 1102		RESISTANCE CHIPSE	RC603 220KOHMS 0,5% 1/16W K50	T1005984
R 1104		RESISTANCE CHIPSE	RR0603 1 KOHM 5% 1/16W K250	T9000696
R 121 142 151 280 283 311 321 460 580 581 600 610				
R 832 935 1100 1220 1261				
R 149 250 450 451 452 453 685 780 934 951 1018 1045		RESISTANCE CHIPSE	RR0603 10 KOHMS 5% 1/16W K250	T9000697
R 1401 1402 1405				
R 122 123 124 125 126 143 144 145 146 152 153 154		RESISTANCE CHIPSE	RR0603 100 KOHMS 5% 1/16W K250	T9000698
R 155 170 171 172 180 181 190 200 240 282 350 351				
R 400 401 402 403 404 405 406 407 410 411 412 413				
R 414 415 416 417 420 421 422 423 424 425 426 633				
R 634 635 681 880 881 882 883 884 885 910 940 941				
R 942 1040 1070 1071 1072 1073 1074 1075 1112 1113				
R 1200 1201 1211 1214 1215 1216 1222 1223 1400 1431				
R 1404 1408 1410 1411 1420 1421 1430 1431				
R 1 101 110 115 129 184 461 462 631		RESISTANCE CHIPSE	RR0603 0 OHM 5% 1/16W K250	T9000877
R 820		RESISTANCE CHIPSE	RR0603 1,1 KOHM 5% 1/16W K250	T9000979
R 821		RESISTANCE CHIPSE	RR0603 1,2 KOHM 5% 1/16W K250	T9000980
R 562		RESISTANCE CHIPSE	RR0603 1,5 KOHM 5% 1/16W K250	T9000982
R 583 932		RESISTANCE CHIPSE	RR0603 2 KOHMS 5% 1/16W K250	T9000985
R 127 931 1272 1273		RESISTANCE CHIPSE	RR0603 2,2 KOHMS 5% 1/16W K250	T9000986
R 831		RESISTANCE CHIPSE	RR0603 2,4 KOHMS 5% 1/16W K250	T9000987
R 601		RESISTANCE CHIPSE	RR0603 2,7 KOHMS 5% 1/16W K250	T9000988
R 760		RESISTANCE CHIPSE	RR0603 3 KOHMS 5% 1/16W K250	T9000989
R 561 822		RESISTANCE CHIPSE	RR0603 3,3 KOHMS 5% 1/16W K250	T9000990
R 763		RESISTANCE CHIPSE	RR0603 3,9 KOHMS 5% 1/16W K250	T9000992
R 112 113 116 117 118 119 120 128 141 1107 1260		RESISTANCE CHIPSE	RR0603 4,7 KOHMS 5% 1/16W K250	T9000994
R 1262				
R 710 830 930		RESISTANCE CHIPSE	RR0603 5,1 KOHMS 5% 1/16W K250	T9000995
R 650 653 761		RESISTANCE CHIPSE	RR0603 7,5 KOHMS 5% 1/16W K250	T9000999
R 582		RESISTANCE CHIPSE	RR0603 8,2 KOHMS 5% 1/16W K250	T9001000
R 550 630 792 933 1240 1241 1263 1264 1271 1407		RESISTANCE CHIPSE	RR0603 100 OHMS 5% 1/16W K250	T9001030
R 1409				
R 130 131 132 133 134 135 156 157 943 1202 1203		RESISTANCE CHIPSE	RR0603 220 OHMS 5% 1/16W K250	T9001038
R 1204				
R 322		RESISTANCE CHIPSE	RR0603 270 OHMS 5% 1/16W K250	T9001040
R 560		RESISTANCE CHIPSE	RR0603 910 OHMS 5% 1/16W K250	T9001053
R 612 1001 1003 1005		RESISTANCE CHIPSE	RR0603 12 KOHMS 5% 1/16W K250	T9001055
R 210		RESISTANCE CHIPSE	RR0603 13 KOHMS 5% 1/16W K250	T9001056
R 558 762		RESISTANCE CHIPSE	RR0603 15 KOHMS 5% 1/16W K250	T9001057
R 656		RESISTANCE CHIPSE	RR0603 18 KOHMS 5% 1/16W K250	T9001059
R 684 781 1002 1004 1006 1406		RESISTANCE CHIPSE	RR0603 20 KOHMS 5% 1/16W K250	T9001060
R 251 680 682 683 950		RESISTANCE CHIPSE	RR0603 22 KOHMS 5% 1/16W K250	T9001061
R 613		RESISTANCE CHIPSE	RR0603 24 KOHMS 5% 1/16W K250	T9001062
R 611 800		RESISTANCE CHIPSE	RR0603 27 KOHMS 5% 1/16W K250	T9001063
R 100 114 323 1212 1217 1250 1422		RESISTANCE CHIPSE	RR0603 47 KOHMS 5% 1/16W K250	T9001069
R 652		RESISTANCE CHIPSE	RR0603 51 KOHMS 5% 1/16W K250	T9001070
R 614		RESISTANCE CHIPSE	RR0603 56 KOHMS 5% 1/16W K250	T9001071
R 657		RESISTANCE CHIPSE	RR0603 62 KOHMS 5% 1/16W K250	T9001072
R 211		RESISTANCE CHIPSE	RR0603 75 KOHMS 5% 1/16W K250	T9001074
R 1085		RESISTANCE CHIPSE	RR0603 82 KOHMS 5% 1/16W K250	T9001075
R 655		RESISTANCE CHIPSE	RR0603 110 KOHMS 5% 1/16W K250	T9001077

REF.	REFERENCE NUMBER	DESCRIPTION	VALUE	PART NO
R 654		RESISTANCE CHIPSE	RRO603 120 KOHMS 5% 1/16W K250	T9001078
R 1213		RESISTANCE CHIPSE	RRO603 200 KOHMS 5% 1/16W K250	T9001083
R 686		RESISTANCE CHIPSE	RRO603 220 KOHMS 5% 1/16W K250	T9001084
R 651 1041		RESISTANCE CHIPSE	RRO603 300 KOHMS 5% 1/16W K250	T9001087
R 1210		RESISTANCE CHIPSE	RRO603 390 KOHMS 5% 1/16W K250	T9001090
R 310		RESISTANCE CHIPSE	RRO603 470 KOHMS 5% 1/16W K250	T9001092
R 300		RESISTANCE CHIPSE	RRO603 680 KOHMS 5% 1/16W K250	T9001096
R 111 150 1083 1224		RESISTANCE CHIPSE	RRO603 1 MEGOHM 5% 1/16W K250	T9001100
R 660		RESISTANCE CHIPSE	RC2211 9,09 KOHM 0,5% 1/5W K50	T9001298
R 659		RESISTANCE CHIPSE	RC2211 16,2 KOHM 0,5% 1/5W K50	T9001406
R 662		RESISTANCE CHIPSE	RC2211 90,9 KOHM 0,5% 1/5W K50	T9001420
R 790		RESISTANCE CHIPSE	RC603 2KOHMS 0,5% 1/16W 50K	T9001795
R 1042		RESISTANCE CHIPSE	RC603 2,21KOHMS 0,5% 1/16W 50K	T9001798
R 663		RESISTANCE CHIPSE	RC603 75KOHMS 0,5% 1/16W 50K	T9001814
R 1105		RESISTANCE CHIPSE	RC603 19,1KOHMS 0,5% 1/16W 50K	T9001821
R 1043 1044 1080 1081 1103 1106		RESISTANCE CHIPSE	RC603 100KOHMS 0,5% 1/16W 50K	T9001826
R 1101		RESISTANCE CHIPSE	RC603 13,3 KOHMS 0,5% 1/16W 50	T9003527
R 661		RESISTANCE CHIPSE	RC603 261K 0,5% 1/16W K50	T9003629
SWITH				
S 880		COMPUTATEUR CMS	KSC271G	T1002532
TEST POINT				
TP 1 2 3 4 6 310 311 610 680 700 780 830 880 881 882		PLQ1 CMS	RC700000C	T1002596
883 930 940 941 1040				
QUARTZ				
Y 110		OSCILLATEUR CERAMIQUE CMS	CSACS8MT RESONATEUR MOS 8MHZ	T1002473
Y 150		QUARTZ	IC49/S 7,3728 MHZ SERIE 50PPM	T9000410
INTEGRATED CIRCUIT				
Z 450		CIRCUIT INTEGRE PROGRAMME	Z 450	47017008
Z 1210		CIRCUIT INTEGRE CMS	393 508P 0*70 (LM393)	99126288
Z 710 830		CIRCUIT INTEGRE CMS	311 508P 0*70 (LM311)	99129838
Z 150 350 1220		CIRCUIT INTEGRE CMS	74HC04 5014P -40*85	99137355
Z 180 910 1280		CIRCUIT INTEGRE CMS	74HC08 5014P -40*85	99137356
Z 310 940 1070 1420		CIRCUIT INTEGRE CMS	74HC03 5014P -40*85	99137357
Z 1430		CIRCUIT INTEGRE CMS	74HC32 5014P -40*85	99142000
Z 170		CIRCUIT INTEGRE CMS	74HC13 5016P -40*85	99142171
Z 650		CIRCUIT INTEGRE CMS	74HC13 5016P -40*85	99165458
Z 580 680		CIRCUIT INTEGRE CMS	064 5014P 0*70 (TL064)	99175378
Z 210		CIRCUIT INTEGRE CMS	062 508P 0*70 (TL062)	T1002423
Z 1030		MICROPROCESSEUR CMS	MAX695ENE 5016P -40*85	T1002466
Z 320		CIRCUIT INTEGRE CMS	MAX695ENE 5016P -40*85	T1002469
Z 280 930 1040 1080 1100		CIRCUIT INTEGRE CMS	MAX695ENE 5016P -40*85	T1002556
Z 300		CIRCUIT INTEGRE CMS	MAX695ENE 5016P -40*85	T1005134
Z 110		CIRCUIT INTEGRE CMS	MAX695ENE 5016P -40*85	T1005164
Z 450		MICROPROCESSEUR CMS	MAX695ENE 5016P -40*85	T1005271
Z 1250		MEMOIRE EPROM CMS	MAX695ENE 5016P -40*85	T1005322
Z 1060		CIRCUIT INTEGRE CMS	MAX695ENE 5016P -40*85	T1005776
Z 200		CIRCUIT INTEGRE CMS	MAX695ENE 5016P -40*85	T9000055
Z 190 240		CIRCUIT INTEGRE CMS	MAX695ENE 5016P -40*85	T9000079
Z 400 410 420 880 1400		CIRCUIT INTEGRE CMS	MAX695ENE 5016P -40*85	T9000419
Z 1000		MICROPROCESSEUR CMS	MAX695ENE 5016P -40*85	T9000710
Z 700		CIRCUIT INTEGRE CMS	MAX695ENE 5016P -40*85	T9000721
Z 610 760		CIRCUIT INTEGRE CMS	MAX695ENE 5016P -40*85	T9000867
Z 550 630 780 950		CIRCUIT INTEGRE CMS	MAX695ENE 5016P -40*85	T9000911
Z 100A		CIRCUIT INTEGRE CMS	MAX695ENE 5016P -40*85	T9001122
Z 1200		SUPPORT DE CIRCUIT INTEGRE CMS	MAX695ENE 5016P -40*85	T9001349
Z 1380		CIRCUIT INTEGRE CMS	MAX695ENE 5016P -40*85	T9001421
Z 1240 1260		CIRCUIT INTEGRE CMS	MAX695ENE 5016P -40*85	T9001556
Z 140		CIRCUIT INTEGRE CMS	MAX695ENE 5016P -40*85	T9001569
Z 250		CIRCUIT INTEGRE CMS	MAX695ENE 5016P -40*85	T9001604
Z 450A		MEMOIRE EPROM CMS	MAX695ENE 5016P -40*85	T9001723
Z 450		SUPPORT DE CIRCUIT INTEGRE CMS	MAX695ENE 5016P -40*85	T9004021
Z 220 230		MEMOIRE RAM STATIQUE CMS	MAX695ENE 5016P -40*85	T9004787

REF.	REFERENCE NUMBER	DESCRIPTION	VALUE	PART NO
	2			
	2A			
	BT 210			
	CAPACITOR			
C	582 583 684	CONDENSATEUR CHIPS	CTC3A 0.47NF 20% 25V DOC.	96103224
C	585 586 682 683 764 765	CONDENSATEUR CHIPS	CTC3A 1NF 20% 16V	99142711
C	282	CONDENSATEUR CHIPS	CC0805B-1CG 330 PF 5% 100V	99187385
C	171	CONDENSATEUR CHIPS	CC0805B-1CG 100 PF 5% 100V	99187412
C	221 231	CONDENSATEUR CHIPS	CAC66 4.7 NF 20% 50V -40+105	T9000690
C	1082	CONDENSATEUR CHIPS	CAC66 22 NF 20% 35V -40+105	T9000692
C	1 2 3 4 551 553 781 783 1100	CONDENSATEUR CHIPS	CAC66 47 NF 20% 16V -40+105	T9000693
C	832	CONDENSATEUR CHIPS	CC0603-1CG-J 220 PF 5% 63V	T9000871
C	1005	CONDENSATEUR CHIPS	CC0603-1CG-J 330 PF 5% 63V	T9000872
C	100 110 111 112 113 140 170 190 210 211 220 230	CONDENSATEUR CHIPS	CC0805B-X7R 0.1NF 10% 25V	T9000957
C	240 250 280 281 300 301 302 310 311 312 320 340			
C	400 410 420 450 460 461 462 463 550 552 580 581			
C	610 611 630 631 650 651 653 654 655 680 681 700			
C	701 710 711 760 761 763 780 782 830 831 880 910			
C	930 931 940 941 942 950 951 1000 1001 1002 1003			
C	1004 1006 1007 1030 1040 1041 1060 1070 1071 1080			
C	1081 1200 1210 1240 1250 1260 1280 1380 1400 1420			
C	1421 1430			
C	762 932	CONDENSATEUR CHIPS	CC0603-1CG-J 15 PF 5% 63V	T9000959
C	634	CONDENSATEUR CHIPS	CC0603-1CG-J 22 PF 5% 63V	T9000961
C	114 115 150 151	CONDENSATEUR CHIPS	CC0603-1CG-J 33 PF 5% 63V	T9000962
C	321	CONDENSATEUR CHIPS	CC0603-1CG-J 150 PF 5% 63V	T9000969
C	800	CONDENSATEUR CHIPS	CC0603-1CG-J 390 PF 5% 63V	T9000971
C	584 587 933 954 1220 1221	CONDENSATEUR CHIPS	CC0603-2C1 10NF 10% 63V	T9001016
C	600 784	CONDENSATEUR CHIPS	CC121GB-1CG 10NF 10% 50/63V	T9001368
C	785	CONDENSATEUR CHIPS	CC0805-1CG-J 1 NF 5% 50/63V	T9001369
C	652	CONDENSATEUR CHIPS	CTC3B 4.7NF 20% 16V	T9001370
C	1251 1252 1253 1254	CONDENSATEUR CHIPS	CAC66 1NF 20% 50V -55+105	T9001770
C	503	CONDENSATEUR CHIPS	CTC3D 22NF 20% 20V	T9003002
C	109 464 1201 1255	CONDENSATEUR CHIPS	CTC3D 680F 20% 16V	T9003349
	DIODE			
CR	1400	DIODE CMS	BAR43S SOT23 [DA5]	91605873
CR	830	DIODE CMS	BAS16 SOT23 [A6]	99110304
CR	680	DIODE CMS	BAV99 SOT23	99116852
	LED			
CRL	140	DIODE ELECTROLUMINESCENTE CMS	LSS260-DO SOT23 ROUCE	306024
CRL	110 1220	DIODE ELECTROLUMINESCENTE CMS	LGS260-DO VERTE	91613459
	DIODE			
CR2	1240 1241 1242 1243	DIODE CMS	BZX84C15 SOT23 [Y4]	99111201
	FUSE			
F	1	FUSIBLE CMS	SMD125-2 1.25A IT+2.5A	T1007028
	CONNECTOR (FIXED)			
J	502	CONNECTEUR CMS	52103-1017 (EFC-10S)	T1002086
J	503	CONNECTEUR CMS	52103-1217 (EFC-12S)	T1002118
J	401 402	CONNECTEUR CMS	52103-1817 (EFC-18S)	T1002545
	INDUCTOR			
L	460 461 462 463	INDUCTANCE CMS	LC1812 6.8 MICROHENRYS 10%	T9001193
L	1 2 3 4	INDUCTANCE CMS	LC2220 4.7UH 10% (OR11)	T9001334
	TRANSISTOR			
Q	1440	TRANSISTOR CMS	2AV002 SOT23 [702] [72AB]	91685632
Q	560 790 800 820	TRANSISTOR CMS	BCV62A PNP SOT143	T9001248
Q	600	TRANSISTOR CMS	BCV61B APX SOT143	T9001555
	RESISTOR			
R	649 687	POTENTIOMETRE CMS	ST-3A 50 KOHMS 20%	T1002025
R	764	POTENTIOMETRE CMS	ST-3A 5 KOHMS 20%	T1002027
R	791	RESISTANCE CHIPSE	RR0603 4.32KOHM 0.5% 1/16W K25	T1005980
R	1102	RESISTANCE CHIPSE	RC603 249KOHMS 0.5% 1/16W K50	T1005981
R	1104	RESISTANCE CHIPSE	RC603 220KOHMS 0.5% 1/16W K50	T1005984
R	121 142 151 280 283 311 321 460 580 581 600 610	RESISTANCE CHIPSE	RR0603 1 KOHM 5% 1/16W K250	T9000696
R	632 935 1100 1220 1261			
R	149 250 450 451 452 453 685 780 934 951 1018 1045	RESISTANCE CHIPSE	RR0603 10 KOHMS 5% 1/16W K250	T9000697
R	1401 1402 1405			
R	122 123 124 125 126 143 144 145 146 152 153 154	RESISTANCE CHIPSE	RR0603 100 KOHMS 5% 1/16W K250	T9000698
R	155 170 171 172 180 181 190 200 210 240 282 350			
R	351 400 401 402 403 404 405 406 407 410 411 412			
R	413 414 415 416 417 420 421 422 423 424 425 426			
R	633 634 635 662 681 880 881 882 883 884 885 910			
R	940 941 942 1040 1070 1071 1072 1073 1074 1075			
R	1112 1113 1200 1201 1211 1214 1215 1216 1221 1222			
R	1223 1400 1403 1404 1408 1410 1411 1420 1421 1430			
R	1431			
R	101 110 115 129 184 461 462 631	RESISTANCE CHIPSE	RR0603 0 OHM 1/16W K250	T9000877
R	820	RESISTANCE CHIPSE	RR0603 1.1 KOHM 5% 1/16W K250	T9000979
R	821	RESISTANCE CHIPSE	RR0603 1.2 KOHM 5% 1/16W K250	T9000980
R	562	RESISTANCE CHIPSE	RR0603 1.5 KOHM 5% 1/16W K250	T9000982
R	583 932	RESISTANCE CHIPSE	RR0603 2 KOHMS 5% 1/16W K250	T9000985
R	127 931 1272 1273	RESISTANCE CHIPSE	RR0603 2.2 KOHMS 5% 1/16W K250	T9000986
R	831	RESISTANCE CHIPSE	RR0603 2.4 KOHMS 5% 1/16W K250	T9000987
R	601	RESISTANCE CHIPSE	RR0603 2.7 KOHMS 5% 1/16W K250	T9000988
R	760	RESISTANCE CHIPSE	RR0603 3 KOHMS 5% 1/16W K250	T9000989
R	561 822	RESISTANCE CHIPSE	RR0603 3.3 KOHMS 5% 1/16W K250	T9000990
R	763	RESISTANCE CHIPSE	RR0603 3.9 KOHMS 5% 1/16W K250	T9000992
R	112 113 116 117 118 119 120 120 141 1107 1260	RESISTANCE CHIPSE	RR0603 4.7 KOHMS 5% 1/16W K250	T9000994
R	1262			
R	710 830 930	RESISTANCE CHIPSE	RR0603 5.1 KOHMS 5% 1/16W K250	T9000995
R	650 653 761	RESISTANCE CHIPSE	RR0603 7.5 KOHMS 5% 1/16W K250	T9000999
R	582	RESISTANCE CHIPSE	RR0603 8.2 KOHMS 5% 1/16W K250	T9001000
R	660	RESISTANCE CHIPSE	RR0603 9.1 KOHMS 5% 1/16W K250	T9001001
R	550 630 792 933 1203 1240 1241 1263 1264 1271	RESISTANCE CHIPSE	RR0603 100 OHMS 5% 1/16W K250	T9001030
R	1407 1409			
R	130 131 132 133 134 135 156 157 943 1202 1204	RESISTANCE CHIPSE	RR0603 220 OHMS 5% 1/16W K250	T9001038
R	322	RESISTANCE CHIPSE	RR0603 270 OHMS 5% 1/16W K250	T9001040
R	560	RESISTANCE CHIPSE	RR0603 910 OHMS 5% 1/16W K250	T9001053
R	612 1001 1003 1005	RESISTANCE CHIPSE	RR0603 12 KOHMS 5% 1/16W K250	T9001055
R	658 659 762	RESISTANCE CHIPSE	RR0603 15 KOHMS 5% 1/16W K250	T9001057
R	656	RESISTANCE CHIPSE	RR0603 18 KOHMS 5% 1/16W K250	T9001059
R	684 781 1002 1004 1006 1406	RESISTANCE CHIPSE	RR0603 20 KOHMS 5% 1/16W K250	T9001060
R	251 680 682 683 950	RESISTANCE CHIPSE	RR0603 22 KOHMS 5% 1/16W K250	T9001061
R	613	RESISTANCE CHIPSE	RR0603 24 KOHMS 5% 1/16W K250	T9001062
R	611 800	RESISTANCE CHIPSE	RR0603 27 KOHMS 5% 1/16W K250	T9001063
R	100 114 1212 1217 1250 1422	RESISTANCE CHIPSE	RR0603 37 KOHMS 5% 1/16W K250	T9001069
R	652	RESISTANCE CHIPSE	RR0603 51 KOHMS 5% 1/16W K250	T9001070
R	614	RESISTANCE CHIPSE	RR0603 56 KOHMS 5% 1/16W K250	T9001071
R	657	RESISTANCE CHIPSE	RR0603 62 KOHMS 5% 1/16W K250	T9001072
R	1085	RESISTANCE CHIPSE	RR0603 82 KOHMS 5% 1/16W K250	T9001075

REF.	REFERENCE NUMBER	DESCRIPTION	VALUE	PART NO
R 655		RESISTANCE CHIPSE	RR0603 110 KOHMS 5% 1/16W K250	T9001077
R 654		RESISTANCE CHIPSE	RR0603 120 KOHMS 5% 1/16W K250	T9001078
R 1213		RESISTANCE CHIPSE	RR0603 200 KOHMS 5% 1/16W K250	T9001083
R 686		RESISTANCE CHIPSE	RR0603 220 KOHMS 5% 1/16W K250	T9001084
R 651 661 1041		RESISTANCE CHIPSE	RR0603 300 KOHMS 5% 1/16W K250	T9001087
R 1210		RESISTANCE CHIPSE	RR0603 390 KOHMS 5% 1/16W K250	T9001090
R 310		RESISTANCE CHIPSE	RR0603 470 KOHMS 5% 1/16W K250	T9001092
R 300		RESISTANCE CHIPSE	RR0603 600 KOHMS 5% 1/16W K250	T9001096
R 111 150 1083 1224		RESISTANCE CHIPSE	RR0603 1 MEGOHM 5% 1/16W K250	T9001100
R 790		RESISTANCE CHIPSE	RC603 2 KOHMS 0.5% 1/16W 50K	T9001795
R 1042		RESISTANCE CHIPSE	RC603 2.2 KOHMS 0.5% 1/16W 50K	T9001798
R 1105		RESISTANCE CHIPSE	RC603 19.1 KOHMS 0.5% 1/16W 50K	T9001821
R 1043 1044 1080 1081 1103 1106		RESISTANCE CHIPSE	RC603 100 KOHMS 0.5% 1/16W 50K	T9001826
R 1101		RESISTANCE CHIPSE	RC603 14.7 KOHMS 0.5% 1/16W 50K	T9004485
SWITH				
S 880		COMPLUTER CMS	KSC221G	T1002532
TEST POINT				
TP 1 2 3 4 6 310 311 610 680 700 780 830 880 881 882		PLOT CMS	RCT0000CC	T1002596
883 930 940 941 1040				
QUARTZ				
Y 110		OSCILLATEUR CERAMIQUE CMS	CSACS8MT RESONATEUR MOS 8MHZ	T1002473
Y 150		QUARTZ	HC49/S 7.3728 MHZ SERIE 50PPM	T9000410
INTEGRATED CIRCUIT				
Z 450		CIRCUIT INTEGRE PROGRAMME	2450	47033349AA
Z 1210		CIRCUIT INTEGRE CMS	393 S08P 0.70 (LM393)	99126288
Z 710 830		CIRCUIT INTEGRE CMS	311 S08P 0.70 (LM311)	99129838
Z 150 350 1220		CIRCUIT INTEGRE CMS	74HC04 S014P -40+85	99137355
Z 180 910 1280		CIRCUIT INTEGRE CMS	74HC08 S014P -40+85	99137357
Z 310 940 1070 1420		CIRCUIT INTEGRE CMS	*M*74HC053 S016P -40+85	99142000
Z 1430		CIRCUIT INTEGRE CMS	74HC32 S014P -40+85	99142171
Z 170		CIRCUIT INTEGRE CMS	*M*74HC138 S016P -40+85	99165468
Z 650		CIRCUIT INTEGRE CMS	064 S014P 0.70 (TL064)	99175378
Z 580 680		CIRCUIT INTEGRE CMS	062 S08P 0.70 (TL062)	T1002423
Z 210		MICROPROCESSEUR CMS	MAX6959E S016P -40+85	T1002466
Z 1030		CIRCUIT INTEGRE CMS	LM358N S08P 0+100	T1002469
Z 320		CIRCUIT INTEGRE CMS	MB88321PF DF24P -30+70	T1002656
Z 280 930 1040 1080 1100		CIRCUIT INTEGRE CMS	LMC6482AIB S08P -40+85	T1005134
Z 300		CIRCUIT INTEGRE CMS	CS4881-1KA -20+85 (S08P)	T1005164
Z 110		MICROPROCESSEUR CMS	MC6802FC25C QFP132P 0.70	T1005271
Z 450		MEMOIRE EPROM CMS	EP61213LC-20 PLCC20 0.70	T1005322
Z 1250		CIRCUIT INTEGRE CMS	MAX242CXX 0.70 S018P	T1005776
Z 1060		CIRCUIT INTEGRE CMS	MAX 50AESD	T9000055
Z 200		CIRCUIT INTEGRE CMS	74ACT00 S014P -40+85	T9000079
Z 190 240		CIRCUIT INTEGRE CMS	74ACT32 S014P -40+85	T90000419
Z 400 410 420 880 1400		MICROPROCESSEUR CMS	68HC68P1 S016P -40+85 8BIT	T90000710
Z 1000		CIRCUIT INTEGRE CMS	S020 CDP68HC68A2 10BIT ADC 14U	T9000721
Z 700		CIRCUIT INTEGRE CMS	74HC4052 S016P -40+85	T9000867
Z 610 760		CIRCUIT INTEGRE CMS	062 S08P -40+85	T9000911
Z 550 630 780 950		CIRCUIT INTEGRE CMS	74HC4316 S016P -40+85	T9001122
Z 100A		SUPPORT DE CIRCUIT INTEGRE CMS	MS5PLCC44-BP-0P-S ENCOCHE	T9001349
Z 1200		CIRCUIT INTEGRE CMS	74HC367 S016P -40+85	T9001421
Z 1380		CIRCUIT INTEGRE CMS	74HC4075 S014P -40+85	T9001556
Z 1240 1260		CIRCUIT INTEGRE CMS	*M*485CS S08P 0+70	T9001569
Z 140		CIRCUIT INTEGRE CMS	74HC125 S014P -40+85	T9001604
Z 250		MEMOIRE EPROM CMS	1KX16/2KX8 1MHZ 3MA S08P-40+85	T9001723
Z 450A		SUPPORT DE CIRCUIT INTEGRE CMS	MS5PLCC20-BP-0P-S	T9004021
Z 460			EPF8452AOC-4 QFP160P 0.70	T9004787
Z 220 230		MEMOIRE RAM STATIQUE CMS	32KX8 70NS 70/0.25MA S028P -25	< last page >

REF.	REFERENCE NUMBER	DESCRIPTION	VALUE	PART NO
	25		LANGUETTE	39964910
	10	FACE AVANT	*S50**ANALOGIQUE PROCESS	46152325
	30		BLINDAGE CARTE 2 CONNECTEURS	46152416AA
	20	RONDELLE	520201-80	91280717
	35	RUBAN	PP11710 LARG.70 ADHESIF	91536712
	15	VIS	C M2X5 U 22CND17-12 PASSIVE	99071508
CAPACITOR				
C	520 1520 2520	CONDENSATEUR FIXE	S99 1C 475 KC1 4.7MF +-10% 16V	91552510
C	482 1482 2482	CONDENSATEUR VARIABLE CMS	ECR-JA006A11 (2,5/6 PF 100V)	91612112
C	483 486 1483 1486 2483 2486	CONDENSATEUR CHIPS	CTC3D 47MF 20% 16V	T1006086
C	3052 3053	CONDENSATEUR CHIPS	CC0805B-2C1 1 NF 10% 100V	T9000332
C	126	CONDENSATEUR CHIPS	CAC66 4,7 MF 20% 50V -40+105	T9000690
C	250 260 392 485 1392 1485 2392 2485	CONDENSATEUR CHIPS	CAC66 10 MF 20% 50V -40+105	T9000691
C	1 2 3 4 124 431 432 1432 1433 1434 2431 2432 3020	CONDENSATEUR CHIPS	CAC66 47 MF 20% 16V -40+105	T9000693
C	3030 3040 3064 3084 4004			
C	370 1370 2370	CONDENSATEUR CHIPS	CAC66 100 MF 20% 6,3V -40+105	T9000694
C	590 1590 2590	CONDENSATEUR CHIPS	CC0503-1CG-J 10 PF 5% 63V	T9000869
C	320 1320 2320	CONDENSATEUR CHIPS	CC0603-1CG-J 220 PF 5% 63V	T9000871
C	120 121 122 123 210 211 251 261 290 291 302 322	CONDENSATEUR CHIPS	CC0805B-X7R 0,1MF 10% 25V	T9000957
C	350 352 380 382 390 391 400 402 420 421 434 481			
C	490 570 700 701 702 710 711 712 1290 1291 1293			
C	1294 1302 1322 1350 1352 1380 1382 1390 1391 1400			
C	1402 1420 1421 1436 1437 1481 1490 1491 1492 1570			
C	1710 1711 1712 2290 2291 2302 2322 2350 2352 2380			
C	2382 2390 2391 2400 2402 2420 2421 2434 2435 2436			
C	2481 2490 2491 2492 2570 2700 2701 2702 2710 2711			
C	2712 3000 3010 3050 3051 3060 3061 3080 3081 4000			
C	4001 4020			
C	480 1480 2480 3062 3082 4002	CONDENSATEUR CHIPS	CC0603-1CG-J 22 PF 5% 63V	T9000961
C	358 1358 2358 3063 3083 4003 5000	CONDENSATEUR CHIPS	CC0603-1CG-J 39 PF 5% 63V	T9000963
C	303 430 1303 1430 2303 2430	CONDENSATEUR CHIPS	CC0603-1CG-J 56 PF 5% 63V	T9000965
C	354 357 1354 1357 2354 2357	CONDENSATEUR CHIPS	CC0603-1CG-J 120 PF 5% 63V	T9000968
C	5025	CONDENSATEUR CHIPS	CC0603-1CG-1 150 PF 5% 63V	T9000969
C	355 2355	CONDENSATEUR CHIPS	CC0603-1CG-J 390 PF 5% 63V	T9000971
C	101 125 160 161	CONDENSATEUR CHIPS	CC0603-2C1 1NF 10% 63V	T9001015
C	100 180 433 484 600 1330 1331 1431 1460 1484 2433	CONDENSATEUR CHIPS	CC0603-2C1 10NF 10% 63V	T9001016
C	2484 2600			
C	1435 1630	CONDENSATEUR CHIPS	CAC46 10NF 20% 16V -55+105	T9001328
C	201 393 394 1292 1393 1394 2393 2394	CONDENSATEUR CHIPS	CTC3B 6,8MF 20% 10V	T9001366
C	1355	CONDENSATEUR CHIPS	CC0603-1CG-C 390 PF 2% 63V	T9001586
C	181	CONDENSATEUR CHIPS	CC0805B-2C1 47NF 10% 50/63V	T9001702
C	200 362 1362 2362	CONDENSATEUR CHIPS	CC0503-2C1-J 470PF 5% 63V	T9001781
CONNECTOR (FIXED)				
J	102	CONNECTEUR	1X-GP-DLT1-P1	T1001245
INDUCTOR				
L	200 222	INDUCTANCE CMS	LC1812 47 MICROHENRYS 10%	T9001008
L	350 351 1350 1351 2350 2351	INDUCTANCE CMS	LC1812 1,8 MICROHENRY 10%	T9001178
L	1 2 3 4	INDUCTANCE CMS	LC2220 22 UH 10% (OR09)	T9001335
CONNECTOR (MOBILE)				
P	101A	CONNECTEUR CMS	433620 10 CLAVETTES SUR PEIGNE	T1002726
P	101		SAC-B-50-N-AB-CL-107	T1002997
TRANSISTOR				
Q	520 1520 2520	TRANSISTOR CMS	BCW70 PNP SOT23 [H2]	99110309
Q	200 540 580 650 1460 1540 1580 2540 2580	TRANSISTOR CMS	S03904 NPN SOT23	99110321
Q	470 590 700 1470 1590 1700 2470 2590 2610	TRANSISTOR CMS	S03906 PNP SOT23	99110322
Q	510 550 600 1510 1550 1600 2510 2550 2600	TRANSISTOR CMS	BFS17 NPN SOT23 [F1]	99113627
Q	560 570 1560 1570 2560 2570	TRANSISTOR CMS	B5565 PNP [L6] [LH]	99123887
Q	500 1500 2500 3020 3030 3040	TRANSISTOR CMS	BC847C NPN SOT23 [1C]	99181285
Q	3070 3090 4010	TRANSISTOR CMS	B5583 NPN SOT143	T9001425
RESISTOR				
R	322 1322 2322	RESISTANCE CHIPSE	RRO605 0 OHM	99180514
R	31 41 51	POTENTIOMETRE CMS	S1-3A 20 KOHMS 20%	T1002026
R	32 42 52	POTENTIOMETRE CMS	ST-3A 5 KOHMS 20%	T1002027
R	34 35 54 55	POTENTIOMETRE CMS	ST-3A 1 KOHM 20%	T1002028
R	36 46 56	POTENTIOMETRE CMS	ST-4B 5 KOHMS 20%	T1002045
R	21	POTENTIOMETRE CMS	S1-3A 100 KOHMS 20%	T1002181
R	160 500 510 1500 1510 2500 2510 4020 5024	RESISTANCE CHIPSE	RRO603 1 KOHM 5% 1/16W K250	T9000696
R	181 250 260 651 1450 1461 3063 3064 3083 3084	RESISTANCE CHIPSE	RRO603 10 KOHMS 5% 1/16W K250	T9000697
R	4003 4004			
R	100 291 321 438 1291 1321 1332 2291 2321 2438	RESISTANCE CHIPSE	RRO603 100 KOHMS 5% 1/16W K250	T9000698
R	3050 3053			
R	201 489 1489 2489 3062 3082 4002	RESISTANCE CHIPSE	RRO603 47 OHMS 5% 1/16W K250	T9000949
R	1630	RESISTANCE CHIPSE	RRO603 1,3 KOHM 5% 1/16W K250	T9000981
R	1550	RESISTANCE CHIPSE	RRO603 1,5 KOHM 5% 1/16W K250	T9000982
R	540 1540 2540	RESISTANCE CHIPSE	RRO603 1,8 KOHM 5% 1/16W K250	T9000984
R	551 1551 2251	RESISTANCE CHIPSE	RRO603 2 KOHMS 5% 1/16W K250	T9000985
R	202 212 570 590 652 1462 1570 1590 2570 2590	RESISTANCE CHIPSE	RRO603 2,2 KOHMS 5% 1/16W K250	T9000986
R	600 1601 2600	RESISTANCE CHIPSE	RRO603 2,4 KOHMS 5% 1/16W K250	T9000987
R	161	RESISTANCE CHIPSE	RRO603 2,7 KOHMS 5% 1/16W K250	T9000988
R	580 1580 2580	RESISTANCE CHIPSE	RRO603 3,3 KOHMS 5% 1/16W K250	T9000990
R	1435	RESISTANCE CHIPSE	RRO603 3,6 KOHMS 5% 1/16W K250	T9000991
R	1531	RESISTANCE CHIPSE	RRO603 3,9 KOHMS 5% 1/16W K250	T9000992
R	313 365 434 483 571 1313 1365 1434 1483 1571 2313	RESISTANCE CHIPSE	RRO603 4,7 KOHMS 5% 1/16W K250	T9000994
R	2365 2434 2483 2571 3020 3030 3040			
R	19 314 511 1314 1511 2314 2511 3060 3061 3080	RESISTANCE CHIPSE	RRO603 5,6 KOHMS 5% 1/16W K250	T9000996
R	3081 4000 4001			
R	501 1501 2501	RESISTANCE CHIPSE	RRO2503 7,5 KOHMS 5% 1/16W K250	T9000999
R	370 1370 2370 5000	RESISTANCE CHIPSE	RRO503 100 OHMS 5% 1/16W K250	T9001030
R	480 481 1480 1481 2480 2481	RESISTANCE CHIPSE	RRO503 150 OHMS 5% 1/16W K250	T9001034
R	551 1561 2561	RESISTANCE CHIPSE	RRO503 180 OHMS 5% 1/16W K250	T9001036
R	320 502 572 601 1320 1502 1572 2320 2502 2572	RESISTANCE CHIPSE	RRO603 220 OHMS 5% 1/16W K250	T9001038
R	2601			
R	355 400 451 485 1355 1400 1451 1485 2355 2400	RESISTANCE CHIPSE	RRO603 470 OHMS 5% 1/16W K250	T9001046
R	2451 2485			
R	560 1560 2560	RESISTANCE CHIPSE	RRO603 630 OHMS 5% 1/16W K250	T9001050
R	550 1600 2250	RESISTANCE CHIPSE	RRO603 820 OHMS 5% 1/16W K250	T9001052
R	200 290 1290 2290	RESISTANCE CHIPSE	RRO603 15 KOHMS 5% 1/16W K250	T9001057
R	650 1460	RESISTANCE CHIPSE	RRO603 18 KOHMS 5% 1/16W K250	T9001059
R	312 430 431 432 433 1312 1430 1431 1432 1433 2312	RESISTANCE CHIPSE	RRO603 22 KOHMS 5% 1/16W K250	T9001061
R	2430 2431 2432 2433			
R	310 1310 2310	RESISTANCE CHIPSE	RRO603 27 KOHMS 5% 1/16W K250	T9001063
R	292 1292 2292	RESISTANCE CHIPSE	RRO603 30 KOHMS 5% 1/16W K250	T9001064
R	350 1350 2350	RESISTANCE CHIPSE	RRO603 47 KOHMS 5% 1/16W K250	T9001069
R	309 1309 2309	RESISTANCE CHIPSE	RRO603 51 KOHMS 5% 1/16W K250	T9001070
R	482 1482 2482	RESISTANCE CHIPSE	RRO603 68 KOHMS 5% 1/16W K250	T9001073
R	180 308 1308 1330 1331 2308	RESISTANCE CHIPSE	RRO603 82 KOHMS 5% 1/16W K250	T9001075
R	101	RESISTANCE CHIPSE	RRO603 150 KOHMS 5% 1/16W K250	T9001080
R	3052 3055	RESISTANCE CHIPSE	RRO603 200 KOHMS 5% 1/16W K250	T9001083
R	121	RESISTANCE CHIPSE	RRO603 240 KOHMS 5% 1/16W K250	T9001085
R	311 1311 2311	RESISTANCE CHIPSE	RRO603 270 KOHMS 5% 1/16W K250	T9001086

4A150400

SCHEMA SD63

REF.	REFERENCE NUMBER	DESCRIPTION	VALUE	PART NO
R	352 401 1352 1401 2352 2401	RESISTANCE CHIPSE	RC603 300 KOHMS 5% 1/16W K250	T9001087
R	120	RESISTANCE CHIPSE	RC603 360 KOHMS 5% 1/16W K250	T9001089
R	3054	RESISTANCE CHIPSE	RC603 680 KOHMS 5% 1/16W K250	T9001096
R	3051	RESISTANCE CHIPSE	RC603 1 MEGOHM 5% 1/16W K250	T9001100
R	712 1713 2712	RESISTANCE CHIPSE	RC3715 5.05 KOHM 0.5% 1/5W K50	T9001223
R	211	RESISTANCE CHIPSE	RC3715 110 OHMS 0.25% 1/4W K25	T9001279
R	210	RESISTANCE CHIPSE	RC3715 1.6 KOHM 0.25% 1/4W K25	T9001608
R	353 592 1353 1592 2353 2592	RESISTANCE CHIPSE	RC603 75 OHMS 0.5% 1/16W K50	T9001760
R	354 484 486 1354 1484 1486 2354 2484 2486	RESISTANCE CHIPSE	RC603 1 KOHMS 0.5% 1/16W K50	T9001763
R	381 1381 2381	RESISTANCE CHIPSE	RC603 330 OHMS 0.5% 1/16W K50	T9001764
R	701 2701	RESISTANCE CHIPSE	RC603 454 OHMS 0.5% 1/16W 50K	T9001790
R	711 1711 2711	RESISTANCE CHIPSE	RC603 509 OHMS 0.5% 1/16W 50K	T9001792
R	1714	RESISTANCE CHIPSE	RC603 1.6 KOHMS 0.5% 1/16W 50	T9001793
R	380 1294 1380 2380	RESISTANCE CHIPSE	RC603 2 KOHMS 0.5% 1/16W 50K	T9001795
R	581 1581 2581	RESISTANCE CHIPSE	RC603 2.05KOHMS 0.5% 1/16W 50K	T9001796
R	487 488 704 1487 1488 2487 2488 2704	RESISTANCE CHIPSE	RC603 2.15KOHMS 0.5% 1/16W 50K	T9001797
R	403 1403 2403	RESISTANCE CHIPSE	RC603 3.32KOHMS 0.5% 1/16W 50K	T9001801
R	366 1366 2366	RESISTANCE CHIPSE	RC603 3.65KOHMS 0.5% 1/16W 50K	T9001802
R	1293	RESISTANCE CHIPSE	RC603 4.64KOHMS 0.5% 1/16W 50K	T9001803
R	583 1583 2583	RESISTANCE CHIPSE	RC603 4.22KOHMS 0.5% 1/16W 50K	T9001808
R	700 705 706 2700 2705 2706	RESISTANCE CHIPSE	RC603 51.1KOHMS 0.5% 1/16W 50K	T9001810
R	436 437 1437 1438 2436 2437	RESISTANCE CHIPSE	RC603 100 OHMS 0.5% 1/16W K50	T9001812
R	293 404 1404 2293 3234	RESISTANCE CHIPSE	RC603 1.8 KOHMS 0.5% 1/16W 50	T9001817
R	702 703 1490 1491 2420 2421 2702 2703	RESISTANCE CHIPSE	RC603 10KOHMS 0.5% 1/16W 50K	T9001817
R	402 1402 2402	RESISTANCE CHIPSE	RC603 12.1KOHMS 0.5% 1/16W 50K	T9001819
R	351 1351 2351	RESISTANCE CHIPSE	RC603 17.4KOHMS 0.5% 1/16W 50K	T9001824
R	710 1710 2710	RESISTANCE CHIPSE	RC603 24.9KOHMS 0.5% 1/16W 50K	T9001825
R	1712	RESISTANCE CHIPSE	RC603 46.4KOHMS 0.5% 1/16W 50K	T9001826
R	2490 2491	RESISTANCE CHIPSE	RC603 100KOHMS 0.5% 1/16W 50K	T9001830
R	203 205	RESISTANCE CHIPSE	RC3715 470 OHMS 0.25% 1/4W K25	T9003239
R	582 1582 2582	RESISTANCE CHIPSE	RC603 665 OHMS 0.5% 1/16W 50K	T9003239
TEST POINT				
TP	1 2 3 4 5 6 7 8 9 10 11 12 13 14 16 18 20 21 22	PLOT CMS	RC100000C	T1002596
	23 24 25 28 30 31 32 33 34 38			
INTEGRATED CIRCUIT				
Z	100 160 180 1330	CIRCUIT INTEGRE CMS	*MPC74HC453BT S016P -40+85	91680869
Z	110 370 1370 2370	CIRCUIT INTEGRE CMS	*M74HC4053 S016P -40+85	99137357
Z	4020	CIRCUIT INTEGRE CMS	*M74HC4051 S016P -40+85	99165327
Z	120 290 430 490 1290 1430 1490 2290 2430 2490	CIRCUIT INTEGRE CMS	062 S08P 0+70 (TL062)	99175378
Z	1630	CIRCUIT INTEGRE CMS	AD647JR S08P 0+70	T1000607
Z	3050	CIRCUIT INTEGRE CMS	14C6482A14 S08P -40+85	T1002656
Z	210 380 1380 2380	CIRCUIT INTEGRE CMS	CIC405A1E S08 -40 +85	T1005343
Z	350 400 1350 1400 2350 2400	CIRCUIT INTEGRE CMS	CIC205A1E S08 -40 +85	T1005344
Z	390 1390 2390	CIRCUIT INTEGRE CMS	AD653AR S08 -40 +85	T1005345
Z	3010	MICROPROCESSEUR CMS	68HC68P1 S016P -40+85 BBIT	T9000419
Z	300 420 700 710 1300 1420 1710 2300 2420 2700	CIRCUIT INTEGRE CMS	0R2 S08P -40+85	T9000867
	2710 3060 3080 4000			
Z	320 450 1320 1450 2320 2450	CIRCUIT INTEGRE CMS	74HC4316 S016P -40+85	T9000911
Z	410 1410 2410	CIRCUIT INTEGRE CMS	0C541 S016P -40+85	T9000913
Z	3000	CIRCUIT INTEGRE CMS	*0*DAC08X12 R-2R DF20P -20+85	T9001104
Z	1720	CIRCUIT INTEGRE CMS	LF1009 S08P 0+70	T9001265
Z	480 1480 2480	CIRCUIT INTEGRE CMS	1496 S014P 0+70	T9001554

REF.	REFERENCE NUMBER	DESCRIPTION	VALUE	PART NO
25			LANGUETTE	39964910
30			BLINDAGE CARTE 2 CONNECTEURS	46152416AA
10			PAGE AV ANALOG PROCESS 1	46153348AA
20		RONDELLE	520201-80	91280717
35		RUBAN	PP11710 LARG.70 ADHESIF	91536712
15		VIS	C M2X5 U Z2CND17-12 PASSIVE	99071508
2360		RESISTANCE CHIPSE	RRO603 620 OHMS 5% 1/16W K250	T9001049
CAPACITOR				
C 581 1561 2581		CONDENSATEUR VARIABLE CMS	ECH-JA006A11 (2,5/6 PF 100V)	91612112
C 1 2 4 33 3064 3084 4004		CONDENSATEUR CHIPS	CTC3D 47MF 20% 16V	T1006086
C 3052 3053		CONDENSATEUR CHIPS	CC0605B-2C1 1 NF 10% 100V	T9000332
C 320 1320 2320		CONDENSATEUR CHIPS	CC0603-1CC-J 220 PF 5% 63V	T9000871
C 210 211 290 291 302 350 352 380 382 390 391 400		CONDENSATEUR CHIPS	CC0605B-K7R 0,1MF 10% 25V	T9000957
402 403 570 700 701 702 710 711 712 1290 1291				
1293 1294 1302 1350 1352 1380 1382 1390 1391 1400				
1402 1403 1436 1437 1491 1492 1570 1710 1711 1712				
2290 2291 2302 2350 2352 2380 2382 2390 2391 2400				
2402 2403 2570 2700 2701 2702 2710 2711 2712 3000				
3010 3050 3051 3060 3061 3080 3081 4000 4001 4020				
C 3062 3082 4002		CONDENSATEUR CHIPS	CC0603-1CC-J 22 PF 5% 63V	T9000961
C 358 1358 2358 2358 3063 3083 4003 5000		CONDENSATEUR CHIPS	CC0603-1CC-J 39 PF 5% 63V	T9000963
C 303 1303 2303		CONDENSATEUR CHIPS	CC0603-1CC-J 56 PF 5% 63V	T9000965
C 354 357 1354 1357 2354 2357		CONDENSATEUR CHIPS	CC0603-1CC-J 120 PF 5% 63V	T9000968
C 5025		CONDENSATEUR CHIPS	CC0603-1CC-J 150 PF 5% 63V	T9000969
C 355 1355 2355		CONDENSATEUR CHIPS	CC0603-1CC-J 390 PF 5% 63V	T9000971
C 590 1590 2590		CONDENSATEUR CHIPS	CC0603-1CC-J 3,3PF+-0,25PF 63V	T9000975
C 580 1580 2580		CONDENSATEUR CHIPS	CC0603-1CC-J 4,7PF+-0,25PF 63V	T9000976
C 180 600 2600		CONDENSATEUR CHIPS	CC0603-2C1 10NF 10% 63V	T9001016
C 1435		CONDENSATEUR CHIPS	CAC46 10MP 20% 16V -55+105	T9001328
C 393 394 1292 1393 1394 2393 2394		CONDENSATEUR CHIPS	CTC3B 6,8MF 20% 10V	T9001366
C 520 1520 2520		CONDENSATEUR CHIPS	CTC3B 4,7MF 20% 16V	T9001370
C 181		CONDENSATEUR CHIPS	CC0805B-2C1 47NF 10% 50/63V	T9001702
C 200		CONDENSATEUR CHIPS	CC0603-2C1-J 470PF 5% 63V	T9001781
C 2420		CONDENSATEUR CHIPS	CTC3C 33MF 20% 10V	T9001931
INDUCTOR				
L 200 222		INDUCTANCE CMS	LC1812 47 MICROHENRYS 10%	T9001008
L 350 351 1350 1351 2350 2351		INDUCTANCE CMS	LC1812 1,8 MICROHENRY 10%	T9001178
L 1 2 3 4		INDUCTANCE CMS	LC2220 22 OH 10% (OH09)	T9001335
CONNECTOR (MOBILE)				
P 101		CONNECTEUR CMS	SMC-B-50-N-AB-CL-107	T1002997
TRANSISTOR				
Q 200 540 580 1540 1580 2540 2580		TRANSISTOR CMS	S03904 NPN SOT23	99110321
Q 590 1590 2590		TRANSISTOR CMS	S03906 PNP SOT23	99110322
Q 550 600 1550 1600 2550 2600		TRANSISTOR CMS	BF517 NPN SOT23 [E1]	99113627
Q 560 570 1560 1570 2560 2570		TRANSISTOR CMS	BF560 PNP [L6] [LH]	99123887
Q 3070 3090 4010		TRANSISTOR CMS	BSS83 NPN SOT143	T9001425
RESISTOR				
R 34 35 54 55		POTENTIOMETRE CMS	ST-3A 1 KOHM 20%	T1002028
R 36 46 56		POTENTIOMETRE CMS	ST-4H 5 KOHMS 20%	T1002045
R 21		POTENTIOMETRE CMS	ST-3A 100 KOHMS 20%	T1002181
R 211		RESISTANCE CHIPSE	RC3715 180 OHMS 1% 1/4W K50	T9000209
R 300 590 1300 1500 1590 2300 2590 4020 5024		RESISTANCE CHIPSE	RRO603 1 KOHM 5% 1/16W K250	T9000696
R 111 181 3063 3064 3083 3084 4003 4004		RESISTANCE CHIPSE	RRO603 10 KOHMS 5% 1/16W K250	T9000697
R 291 1291 2291 3050 3053		RESISTANCE CHIPSE	RRO603 100 KOHMS 5% 1/16W K250	T9000698
R 349 356 512 1349 1356 1512 2349 2356 2512		RESISTANCE CHIPSE	RRO603 0 OHM	T9000877
R 201 3062 3082 4002		RESISTANCE CHIPSE	RRO603 47 OHMS 5% 1/16W K250	T9000949
R 1550		RESISTANCE CHIPSE	RRO603 1,5 KOHM 5% 1/16W K250	T9000982
R 540 1540 2540		RESISTANCE CHIPSE	RRO603 1,8 KOHM 5% 1/16W K250	T9000984
R 551 1551 2551		RESISTANCE CHIPSE	RRO603 2 KOHMS 5% 1/16W K250	T9000985
R 202 212 570 1435 1570 2570		RESISTANCE CHIPSE	RRO603 2,2 KOHMS 5% 1/16W K250	T9000986
R 600 1601 2600		RESISTANCE CHIPSE	RRO603 2,4 KOHMS 5% 1/16W K250	T9000987
R 580 2580		RESISTANCE CHIPSE	RRO603 3,3 KOHMS 5% 1/16W K250	T9000990
R 313 571 1313 1571 2313 2571		RESISTANCE CHIPSE	RRO603 4,7 KOHMS 5% 1/16W K250	T9000994
R 314 1314 2314 3060 3061 3080 3081 4000 4001		RESISTANCE CHIPSE	RRO603 5,6 KOHMS 5% 1/16W K250	T9000996
R 370 1370 2370 5000		RESISTANCE CHIPSE	RRO603 100 OHMS 5% 1/16W K250	T9001030
R 561 1561 2561		RESISTANCE CHIPSE	RRO603 150 OHMS 5% 1/16W K250	T9001035
R 320 572 601 1320 1572 2320 2572 2601		RESISTANCE CHIPSE	RRO603 220 OHMS 5% 1/16W K250	T9001038
R 355 1355 2355		RESISTANCE CHIPSE	RRO603 470 OHMS 5% 1/16W K250	T9001046
R 560 1560		RESISTANCE CHIPSE	RRO603 620 OHMS 5% 1/16W K250	T9001049
R 550 1600 2550		RESISTANCE CHIPSE	RRO603 820 OHMS 5% 1/16W K250	T9001052
R 290 1290 2290		RESISTANCE CHIPSE	RRO603 15 KOHMS 5% 1/16W K250	T9001057
R 312 1312 2312		RESISTANCE CHIPSE	RRO603 22 KOHMS 5% 1/16W K250	T9001061
R 310 1310 2310		RESISTANCE CHIPSE	RRO603 27 KOHMS 5% 1/16W K250	T9001063
R 292 1292 2292		RESISTANCE CHIPSE	RRO603 30 KOHMS 5% 1/16W K250	T9001064
R 110		RESISTANCE CHIPSE	RRO603 39 KOHMS 5% 1/16W K250	T9001067
R 350 1350 2350		RESISTANCE CHIPSE	RRO603 47 KOHMS 5% 1/16W K250	T9001069
R 309 1309 2309		RESISTANCE CHIPSE	RRO603 51 KOHMS 5% 1/16W K250	T9001070
R 180 308 1308 2308		RESISTANCE CHIPSE	RRO603 82 KOHMS 5% 1/16W K250	T9001075
R 3052 3055		RESISTANCE CHIPSE	RRO603 200 KOHMS 5% 1/16W K250	T9001083
R 311 1311 2311		RESISTANCE CHIPSE	RRO603 270 KOHMS 5% 1/16W K250	T9001086
R 352 401 1352 1401 2352 2401		RESISTANCE CHIPSE	RRO603 300 KOHMS 5% 1/16W K250	T9001087
R 3054		RESISTANCE CHIPSE	RRO603 680 KOHMS 5% 1/16W K250	T9001096
R 3051		RESISTANCE CHIPSE	RRO603 1 MEGOHM 5% 1/16W K250	T9001100
R 210		RESISTANCE CHIPSE	RC3715 1,5 KOHM 0,25% 1/4W K25	T9001625
R 353 592 1353 1592 2353 2592		RESISTANCE CHIPSE	RC603 75 OHMS 0,5% 1/16W K50	T9001760
R 354 403 1354 1403 2354 2403		RESISTANCE CHIPSE	RC603 1 KOHMS 0,5% 1/16W K50	T9001763
R 381 1381 2381		RESISTANCE CHIPSE	RC603 330 OHMS 0,5% 1/16W K50	T9001764
R 390 1390 2390		RESISTANCE CHIPSE	RRO603 332 OHMS 0,5% 1/16W K25	T9001789
R 391 701 1391 2391 2701		RESISTANCE CHIPSE	RC603 464 OHMS 0,5% 1/16W 50K	T9001790
R 711 1711 2711		RESISTANCE CHIPSE	RC603 605 OHMS 0,5% 1/16W 50K	T9001792
R 1714		RESISTANCE CHIPSE	RC603 1,6 KOHMS 0,5% 1/16W 50	T9001793
R 380 1294 1380 2380		RESISTANCE CHIPSE	RC603 2KOHMS 0,5% 1/16W 50K	T9001795
R 581 1581 2581		RESISTANCE CHIPSE	RC603 2,05KOHMS 0,5% 1/16W 50K	T9001796
R 704 2704		RESISTANCE CHIPSE	RC603 2,15KOHMS 0,5% 1/16W 50K	T9001797
R 356 1366 2366		RESISTANCE CHIPSE	RC603 3,65KOHMS 0,5% 1/16W 50K	T9001802
R 1293		RESISTANCE CHIPSE	RC603 4,64KOHMS 0,5% 1/16W 50K	T9001803
R 712 1713 2712		RESISTANCE CHIPSE	RC603 5,11KOHMS 0,5% 1/16W 50K	T9001804
R 700 705 1712 2700 2705		RESISTANCE CHIPSE	RC603 51,1KOHMS 0,5% 1/16W 50K	T9001810
R 702 703 1490 1491 2420 2421 2702 2703		RESISTANCE CHIPSE	RC603 10KOHMS 0,5% 1/16W 50K	T9001817
R 351 1351 2351		RESISTANCE CHIPSE	RC603 17,4KOHMS 0,5% 1/16W 50K	T9001819
R 710 1710 2710		RESISTANCE CHIPSE	RC603 24,9KOHMS 0,5% 1/16W 50K	T9001824
R 2490 2491		RESISTANCE CHIPSE	RC603 100KOHMS 0,5% 1/16W 50K	T9001826
R 203 205		RESISTANCE CHIPSE	RC3715 470 OHMS 0,25% 1/4W K25	T9001830
R 582 1582 2582		RESISTANCE CHIPSE	RC603 665 OHMS 0,5% 1/16W 50K	T9003239
R 706 2706		RESISTANCE CHIPSE	RC603 48,7KOHMS 0,5% 1/16W 50K	T9003489
TEST POINT				
TP 3 6 7 8 9 10 11 12 13 14 16 18 20 21 22 23 24 28		POINT CMS	RT0000000	T1002596
INTEGRATED CIRCUIT				
Z 180		CIRCUIT INTEGR. CMS	*NAFC74HC453BT S016P -40+85	91680869

4C150400BA

SCHEMA 63V2

REF.	REFERENCE NUMBER	DESCRIPTION	VALUE	PART NO
Z	110 370 1370 2370	CIRCUIT INTEGRE CMS	4N*74HC4053 SO16P -40+85	99137357
Z	4020	CIRCUIT INTEGRE CMS	4N*74HC4051 SO16P -40+85	99165327
Z	290 1290 1430 1490 2290	CIRCUIT INTEGRE CMS	062 SO8P 0+70 (TL062)	99175378
Z	3050	CIRCUIT INTEGRE CMS	LMC6482A1N SO8P -40+85	T1002656
Z	210 380 1380 2380	CIRCUIT INTEGRE CMS	CLC405AJE SO8 -40 +85	T1005343
Z	350 400 1350 1400 2350 2400	CIRCUIT INTEGRE CMS	CLC505AJE SO8 -40 +85	T1005344
Z	390 1390 2390	CIRCUIT INTEGRE CMS	ADG03AR SO8 -40 +85	T1005345
Z	3010	MICROPROCESSEUR CMS	68HC68P1 SO16P -40+85 8BIT	T9000419
Z	300 700 710 1300 1710 2300 2420 2700 2710 3060	CIRCUIT INTEGRE CMS	082 SO8P -40+85	T9000867
Z	3080 4000			
Z	320 450 1320 1450 2320 2450	CIRCUIT INTEGRE CMS	74HC4316 SO16P -40+85	T9000911
Z	3000	CIRCUIT INTEGRE CMS	*0*DAC08X1Z R-2R DF20P -20+85	T9001104
Z	1720	CIRCUIT INTEGRE CMS	LT1009 SO8P 0+70	T9001265

< last page >

REF.	REFERENCE NUMBER	DESCRIPTION	VALUE	PART NO
13		FACE AVANT	LANGUETTE	39964910
30		RONDELLE	BLINDAGE CARTE 2 CONNECTEURS	46152416AA
10		ENTRETOISE LISSE	SERIGRAPHIE DPI	46153292AA
12		RUBAN	520201-80	91280717
16		ECHOU	ENLIS2 LG.2	91296531
35		VIS	PPL1710 LARG.70 ADHESIF	91536712
17			H M2 U INOX A4 PASSIVE	99059910
15			C M2X8/8 U INOX.A4 PASS.	99060917
11			C M2X5 U ZCND17-12 PASSIVE	99071508
CAPACITOR				
C	243 275 313	CONDENSATEUR VARIABLE CMS	ECR-JAO20E (4,5/20PF 100V)	91612109
C	246 276 316	CONDENSATEUR CHIPS	CC0603-1CC-J 100 PF 5% 63V	T9000870
C	912 1072 1082	CONDENSATEUR CHIPS	CC0603-1CC-J 220 PF 5% 63V	T9000871
C	2 4 6 10 13 14 15 16 30 40 100 110 130 131 132	CONDENSATEUR CHIPS	CC0805B-X7R 0.1MF 10% 25V	T9000957
	133 134 135 136 137 138 140 141 142 143 144 145			
	146 147 148 153 160 161 190 191 192 193 194 195			
	200 201 202 203 204 230 231 244 245 250 251 273			
	274 280 281 300 301 314 315 320 321 402 403 404			
	405 406 407 408 409 412 413 414 415 416 417 418			
	419 420 421 422 430 431 432 433 434 435 438 439			
	440 600 801 820 821 830 831 832 840 900 916 917			
	923 924 943 944 963 964 1010 1011 1020 1021 1030			
	1031 1040 1041 1050 1051 1060 1061 1070 1071 1080			
	1081 1090 1091 1092 1093 1100 1101 1102 1103 1200			
	1201 1202 1203 1214 1215			
C	920 922 940 942 960 962	CONDENSATEUR CHIPS	CC0603-1CC-J 15 PF 5% 63V	T9000959
C	926 946 966	CONDENSATEUR CHIPS	CC0603-1CC-J 47 PF 5% 63V	T9000964
C	240 242 270 272 310 312 1210 1211	CONDENSATEUR CHIPS	CC0603-1CC-J 120 PF 5% 63V	T9000968
C	1212	CONDENSATEUR CHIPS	CC0603-1CC-J 390 PF 5% 63V	T9000971
C	17 18 19 20	CONDENSATEUR CHIPS	CC0603-2C1 10NF 10% 63V	T9001016
C	1 3	CONDENSATEUR CHIPS	CFE30 68UF 20% 16V	T9003349
C	5 9 152 400 401 410 411 436 437 1220 1221	CONDENSATEUR CHIPS	CFC3C 100PF 20% 16V POLARISE	T9003419
C	1213	CONDENSATEUR CHIPS	CC0603-2C1 820 PF 10% 63V	T9003519
C	241 271 311	CONDENSATEUR CHIPS	CC0603-1CC-J 270 PF 5% 63V	T9003536
CONNECTOR (FIXED)				
J	102 152	CONNECTEUR CMS	SNC-B-50-M-AR-CL-107	T1002997
INDUCTOR				
L	240 241 270 271 310 311	INDUCTANCE CMS	NL252018T-18RJ 1.8UH 5%	T1005388
L	100 110	INDUCTANCE CMS	NL252018T-220J 22UH 5%	T1005470
L	1 2 3 5	INDUCTANCE CMS	LC2220 22 UH 10% (OR09)	T9001335
L	920 921 940 941 960 961	INDUCTANCE CMS	NL252018T-390J 39UH 5%	T9003521
CONNECTOR (MOBILE)				
P	1 3	CONNECTEUR CMS	EPD2X07-#5#-CLP##-M1.27D2-###	T9004425
P	2	CONNECTEUR CMS	EPD2X30-#5#-CLP##-M1.27D2-###	T9004426
TRANSISTOR				
Q	50	TRANSISTOR CMS	S03904 NPN SOT23	99110321
RESISTOR				
R	833 925 945 965	POTENTIOMETRE CMS	ST-4E 500 OHMS 20%	91620902
R	257	RESISTANCE CHIPSE	RR0603 4.3KOHM 0.5% 1/16W K25	T1005787
R	303	RESISTANCE CHIPSE	RR0603 8.66KOHM 0.5% 1/16W K25	T1005793
R	258	RESISTANCE CHIPSE	RR0603 187 OHM 0.5% 1/16W K25	T1005941
R	1050	RESISTANCE CHIPSE	RR0603 2.80 OHM 0.5% 1/16W K25	T1005955
R	1040 1041 1051 1052	RESISTANCE CHIPSE	RR0603 1.91KOHM 0.5% 1/16W K25	T1005956
R	281	RESISTANCE CHIPSE	RR0603 6.2KOHM 0.5% 1/16W K25	T1005982
R	51 191 192 193 194 230	RESISTANCE CHIPSE	RR0603 1 KOHM 5% 1/16W K250	T9000696
R	40 130 131 132 140 141 142 150 163 190 1090 1100	RESISTANCE CHIPSE	RR0603 10 KOHMS 5% 1/16W K250	T9000697
	1200			
R	1091 1101 1201	RESISTANCE CHIPSE	RR0603 100 KOHMS 5% 1/16W K250	T9000698
R	160 161 255 261 328 331	RESISTANCE CHIPSE	RR0603 0 OHM 1/16W K250	T9000877
R	831	RESISTANCE CHIPSE	RR0603 1.2 KOHM 5% 1/16W K250	T9000980
R	1210 1211 1221	RESISTANCE CHIPSE	RR0603 1.5 KOHM 5% 1/16W K250	T9000982
R	834	RESISTANCE CHIPSE	RR0603 1.6 KOHM 5% 1/16W K250	T9000983
R	921 941 961	RESISTANCE CHIPSE	RR0603 2 KOHMS 5% 1/16W K250	T9000985
R	1220	RESISTANCE CHIPSE	RR0603 2.7 KOHMS 5% 1/16W K250	T9000988
R	50	RESISTANCE CHIPSE	RR0603 4.7 KOHMS 5% 1/16W K250	T9000994
R	143 144 145 146 147 148 162 400 401 402 403 404	RESISTANCE CHIPSE	RR0603 5.6 KOHMS 5% 1/16W K250	T9000996
	405 406 408 430 431 432			
R	411 412 433	RESISTANCE CHIPSE	RR0603 8.2 KOHMS 5% 1/16W K250	T9001000
R	1223	RESISTANCE CHIPSE	RR0603 100 OHMS 5% 1/16W K250	T9001030
R	1222	RESISTANCE CHIPSE	RR0603 150 OHMS 5% 1/16W K250	T9001034
R	910 1070 1080	RESISTANCE CHIPSE	RR0603 220 OHMS 5% 1/16W K250	T9001038
R	922 942 962	RESISTANCE CHIPSE	RR0603 330 OHMS 5% 1/16W K250	T9001042
R	900	RESISTANCE CHIPSE	RR0603 470 OHMS 5% 1/16W K250	T9001046
H	1213 1214	RESISTANCE CHIPSE	RR0603 510 OHMS 5% 1/16W K250	T9001047
R	244 274 314	RESISTANCE CHIPSE	RR0603 620 OHMS 5% 1/16W K250	T9001049
R	840	RESISTANCE CHIPSE	RR0603 750 OHMS 5% 1/16W K250	T9001051
R	835	RESISTANCE CHIPSE	RR0603 910 OHMS 5% 1/16W K250	T9001053
R	1092 1102 1202	RESISTANCE CHIPSE	RR0603 15 KOHMS 5% 1/16W K250	T9001057
R	240 242 270 272 310 312 603 812 823 832	RESISTANCE CHIPSE	RC603 75 OHMS 0.5% 1/16W K50	T9001760
R	287	RESISTANCE CHIPSE	RC603 13 OHMS 0.5% 1/16W K50	T9001761
R	243 259 273 289 290 313 330 800 802 810 811 821	RESISTANCE CHIPSE	RC603 1 KOHMS 0.5% 1/16W K50	T9001763
	822 830 911 924 926 944 946 964 966 1010 1011			
	1020 1021 1030 1031 1048 1054 1081			
R	262 332	RESISTANCE CHIPSE	RR0603 332 OHMS 0.5% 1/16W K25	T9001789
R	280	RESISTANCE CHIPSE	RC603 464 OHMS 0.5% 1/16W 50K	T9001790
R	1044 1049 1057 1058	RESISTANCE CHIPSE	RC603 2KOHMS 0.5% 1/16W 50K	T9001795
R	923 943 963	RESISTANCE CHIPSE	RC603 2.21KOHMS 0.5% 1/16W 50K	T9001798
R	1047	RESISTANCE CHIPSE	RC603 2.74KOHMS 0.5% 1/16W 50K	T9001799
R	300	RESISTANCE CHIPSE	RC603 3.32KOHMS 0.5% 1/16W 50K	T9001801
R	1042 1045 1055	RESISTANCE CHIPSE	RC603 5.11KOHMS 0.5% 1/16W 50K	T9001804
R	320	RESISTANCE CHIPSE	RC603 5.62KOHMS 0.5% 1/16W 50K	T9001805
R	200 201 203	RESISTANCE CHIPSE	RC603 7.5KOHMS 0.5% 1/16W 50K	T9001806
R	1212	RESISTANCE CHIPSE	RC603 4.22KOHMS 0.5% 1/16W 50K	T9001808
R	333	RESISTANCE CHIPSE	RC603 100 OHMS 0.5% 1/16W K50	T9001812
R	1053	RESISTANCE CHIPSE	RC603 1.8 KOHMS 0.5% 1/16W 50	T9001813
R	301	RESISTANCE CHIPSE	RC603 75KOHMS 0.5% 1/16W 50K	T9001814
R	316	RESISTANCE CHIPSE	RC603 10KOHMS 0.5% 1/16W 50K	T9001817
R	285	RESISTANCE CHIPSE	RC603 17.4KOHMS 0.5% 1/16W 50K	T9001819
R	250	RESISTANCE CHIPSE	RC603 22.1KOHMS 0.5% 1/16W 50K	T9001823
R	251 1046	POTENTIOMETRE CMS	ST-4H 200 OHMS 20%	T9003516
R	245 275 315	RESISTANCE CHIPSE	RC603 560 OHMS 0.5% 1/16W 50K	T9003522
R	202	RESISTANCE CHIPSE	RC603 3.4 KOHMS 0.5% 1/16W 50K	T9003526
R	282	RESISTANCE CHIPSE	RC603 2.49KOHMS 0.5% 1/16W 50	T9003531
R	286	RESISTANCE CHIPSE	RC603 150 OHMS 0.5% 1/16W 50K	T9004467
R	263 306 327	RESISTANCE CHIPSE	RC603 200 OHMS 0.5% 1/16W 50K	T9004479
R	291	RESISTANCE CHIPSE	RC603 121 OHMS 0.5% 1/16W 50K	T9004480
R	256 329	RESISTANCE CHIPSE	RC603 16.5 KOHMS 0.5% 1/16W 50	T9004482
R	304	RESISTANCE CHIPSE	RC603 1.74 KOHMS 0.5% 1/16W 50	T9004483
R	1043 1056	RESISTANCE CHIPSE	RC603 14.7KOHMS 0.5% 1/16W 50	T9004485
R	288	RESISTANCE CHIPSE		

4D150401AA

SCHEMA 64M

REF.	REFERENCE NUMBER	DESCRIPTION	VALUE	PART NO
R	252 325	RESISTANCE CHIPSE	RR0603 1.37 KOHMS 0,5% 1/16W	T9004589
R	260 264 321	RESISTANCE CHIPSE	RR0603 10 OHMS 0,5% 1/16W K50	T9004590
R	253 305 326	RESISTANCE CHIPSE	RR0603 221 OHMS 0,5% 1/16W K50	T9004591
R	322	RESISTANCE CHIPSE	RR0603 11 KOHMS 0,5% 1/16W K50	T9004592
TEST POINT				
TP	1 2 3 4 5 6 7 8			
INTEGRATED CIRCUIT				
Z	230 1060	PLOT CMS	RCT00000C	T1002596
Z	800 820	CIRCUIT INTEGRE CMS	*M*74HC4051 S016P -40+85	99165327
Z	1210	CIRCUIT INTEGRE CMS	052 S08P 0+70 (TLD62)	99175378
Z	430	CIRCUIT INTEGRE CMS	LMG361 S08P	T1000260
Z	240 250 270 280 310 320 830 920 940 960 1010 1020	CIRCUIT INTEGRE ASIC CMS	*0*ASIC-B TRAITEMENT VIDEO NUM	T1005105
	1030 1040 1050	CIRCUIT INTEGRE CMS	CLC405AJE S08 -40 +85	T1005343
Z	400			
Z	100	CIRCUIT INTEGRE ASIC CMS	*0*ASIC TRAITEMENT VIDEO CAMER	T1005385
Z	30 40	CIRCUIT INTEGRE CMS	AV9170-01-CS8 S08P 0+70	T1005395
Z	440	MICROPROCESSEUR CMS	68HC68P1 S016P -40+85 8BIT	T9000419
Z	1090 1100 1200	CIRCUIT INTEGRE CMS	74F125 S014P 0+70	T9000682
Z	300 910 1070 1080	CIRCUIT INTEGRE CMS	082 S08P -40+85	T9000687
Z	840 900	CIRCUIT INTEGRE CMS	74HC4316 S016P -40+85	T9000911
Z	150	CIRCUIT INTEGRE CMS	LT1009 S08P 0+70	T9001265
Z	1220	CIRCUIT INTEGRE CMS	74AC04 S014P -40+85	T9001464
Z	110	RESEAU DE TRANSISTORS CMS	3046 S014P -40+85	T9001547
Z	210	CIRCUIT INTEGRE CMS	AV9170-04-CS8 S08P 0+70	T9003492
Z	160	CIRCUIT INTEGRE CMS	LM285 1.235V -40+85 1% S08P	T9003515
Z	130		1SP1S12064V QF44P 0+70 80MHZ	T9004393
Z	190	MEMOIRE EPROM CMS	2048K36 20MS CMS TQFP120 0+70	T9004411
Z	200	CIRCUIT INTEGRE CMS	EP78282AV-4 TQFP100 0+70 3,3V	T9004419
			ADV7122KST 50MHZ TQFP48 0+70	T9004692

< last page >

4A150615AA

SCHEMA 64D

REF.	REFERENCE NUMBER	DESCRIPTION	VALUE	PART NO
CAPACITOR				
C	150	CONDENSATEUR CHIPS	CTC3B 2,2MF 20% 20V DOC.	96103241
C	120 121 220 221 320 321	CONDENSATEUR CHIPS	CTC3A 1MF 20% 16V	99142711
C	107 108 110 111 122 123 125 130 131 140 141 162	CONDENSATEUR CHIPS	CCG805B-X7R 0,1MF 10% 25V	T9000957
	163 167 168 170 171 207 208 222 223 225 230 231			
	240 241 262 263 267 268 270 271 307 308 322 323			
	325 330 331 340 341 362 363 367 368 370 371			
C	112 212 312	CONDENSATEUR CHIPS	CC0603-1CC-J 18 PF 5% 63V	T9000960
C	160 161 260 261 360 361	CONDENSATEUR CHIPS	CC0603-1CC-J 47 PF 5% 63V	T9000964
C	1 2 3 109 209 309	CONDENSATEUR CHIPS	CTC3C 10UF 20% 16V POLARISE	T9003419
FL	100 200 300			
CONNECTOR (FIXED)				
J	1			
J	2			
INDUCTOR				
L	1			
RESISTOR				
R	103 203 303	POTENTIOMETRE CMS	ST-4B 100 OHMS 20%	91685743
R	108 208 308	RESISTANCE CHIPSE	RR0603 6,8KOHM 0,5% 1/16W K25	T1005957
R	107 207 307	RESISTANCE CHIPSE	RR0603 390 OHMS 0,5% 1/16W K50	T1005983
R	160 260 360	RESISTANCE CHIPSE	RR0603 10 KOHMS 5% 1/16W K250	T9000697
R	161 261 361	RESISTANCE CHIPSE	RR0603 0 OHM 1/16W K250	T9000877
R	122 132 145 222 232 245 322 332 345	RESISTANCE CHIPSE	RR0603 51 OHMS 5% 1/16W K250	T9000950
R	150	RESISTANCE CHIPSE	RR0603 470 OHMS 5% 1/16W K250	T9001046
R	121 221 321	RESISTANCE CHIPSE	RR0603 47 KOHMS 5% 1/16W K250	T9001069
R	111 211 311	RESISTANCE CHIPSE	RR0603 51 KOHMS 5% 1/16W K250	T9001070
R	110 120 210 220 310 320	RESISTANCE CHIPSE	RR0603 91 KOHMS 5% 1/16W K250	T9001076
R	106 109 126 130 131 133 140 141 142 143 144 170	RESISTANCE CHIPSE	RC603 1 KOHMS 0,5% 1/16W K50	T9001763
	206 209 226 230 231 233 240 241 242 243 244 270			
	306 309 326 330 331 333 340 341 342 343 344 370			
R	104 204 304	RESISTANCE CHIPSE	RC603 2KOHMS 0,5% 1/16W 50K	T9001795
R	123 223 323	RESISTANCE CHIPSE	RC603 4,22KOHMS 0,5% 1/16W 50K	T9001808
R	102 202 302	RESISTANCE CHIPSE	RC603 100 OHMS 0,5% 1/16W K50	T9001812
R	105 205 305	RESISTANCE CHIPSE	RC603 715 OHMS 0,5% 1/16W 50K	T9004463
R	101 201 301	RESISTANCE CHIPSE	RC603 226 OHMS 0,5% 1/16W 50K	T9004465
R	100 200 300	RESISTANCE CHIPSE	RC603 330 OHMS 0,5% 1/16W 50K	T9004466
TEST POINT				
TP	100 200 300			
INTEGRATED CIRCUIT				
Z	120 220 320	PLOT CMS	RC700000C	T1002596
Z	100 130 140 170 200 230 240 270 300 330 340 370	CIRCUIT INTEGRE CMS	062 SOBP 0+70 (TL062)	99175378
Z	160 260 360	CIRCUIT INTEGRE CMS	CLC405AJE SO8 -40 +85	T1005343
Z	150	CIRCUIT INTEGRE CMS	ADS801U SQ2BP(0,3) 0+70	T1005995
Z	110	CIRCUIT INTEGRE CMS	LT1009 SOBP 0+70	T9001265
		CIRCUIT INTEGRE CMS	*M*741C14053 SO16P -40+85	T9001499

< last page >

47033346AA

SCHEMA 64N

REF.	REFERENCE NUMBER	DESCRIPTION	VALUE	PART NO
13		FACE AVANT	LANGUETTE	39964910
10			**S50*DIGITAL PROCESS	46152324
30			BLINDAGE CARTE 2 CONNECTEURS	46152416AA
12		RONDELL	520201-80	91280717
35		RUBAN	FP11710 LANG.70 ADHESIF	91536712
11		VIS	C N2X5 U 22CND17-12 PASSIVE	99071508
CAPACITOR				
C	732 752 772	CONDENSATEUR VARIABLE CMS	BCR-JAO20E (4,5/20PF 100V)	91612109
C	80	CONDENSATEUR CHIPS	CTC3B 2,2NF 20% 20V DOC.	96103241
C	14 18 23	CONDENSATEUR CHIPS	CAC66 100 NF 20% 6,3V -40+105	T9000694
C	7010	CONDENSATEUR CHIPS	CC0603-1CG-J 10 PF 5% 63V	T9000869
C	622 623 624 912 1072 1082	CONDENSATEUR CHIPS	CC0603-1CG-J 220 PF 5% 63V	T9000871
C	13 17 20 22 24 30 40 60 107 108 110 111 122 123	CONDENSATEUR CHIPS	CC0805B-X2R 0,1MF 10% 25V	T9000957
C	125 130 131 140 141 151 162 163 167 168 170 171			
C	207 208 222 223 225 230 231 240 241 262 263 267			
C	268 270 271 307 308 322 323 325 330 331 340 341			
C	362 363 367 368 370 371 402 403 404 405 406 407			
C	408 409 412 413 414 415 416 417 418 419 420 421			
C	422 430 431 432 433 434 435 438 439 500 510 520			
C	540 600 601 602 603 610 611 612 613 614 615 620			
C	621 633 634 663 664 670 671 672 673 693 694 703			
C	704 730 731 740 741 750 751 760 761 770 771 780			
C	781 790 791 795 796 797 798 799 800 801 820 821			
C	830 831 832 840 900 916 917 923 924 943 944 963			
C	964 1010 1011 1020 1021 1030 1031 1040 1041 1050			
C	1051 1060 1061 1070 1071 1080 1081 1090 1091 1092			
C	1093 1100 1101 1102 1103 1200 1201 1202 1203			
C	920 922 940 942 950 962	CONDENSATEUR CHIPS	CC0603-1CG-J 15 PF 5% 63V	T9000959
C	160 161 260 261 360 361 926 946 966	CONDENSATEUR CHIPS	CC0603-1CG-J 47 PF 5% 63V	T9000964
C	21 25 31 109 150 209 309 400 401 410 411 436 437	CONDENSATEUR CHIPS	CAC46 10NF 20% 16V -55+105	T9001328
C	705 706 710 711 720 721			
C	702			
C	707			
C	100 103 200 203 300 303	CONDENSATEUR CHIPS	CC0603-1CG-G 390 PF 2% 63V	T9001586
C	101 201 301	CONDENSATEUR CHIPS	CC0603-1CG-G 220 PF 2% 63V	T9001587
C	102 202 302 631 661 691	CONDENSATEUR CHIPS	CC0603-1CG-G 180 PF 2% 63V	T9001588
C	635 665 695	CONDENSATEUR CHIPS	CC0603-1CG-G 330 PF 2% 63V	T9001754
C	630 632 660 662 690 692 701	CONDENSATEUR CHIPS	CC0603-1CG-G 270 PF 2% 63V	T9001755
C	120 121 220 221 320 321	CONDENSATEUR CHIPS	CC0603-1CG-G 100 PF 2% 63V	T9001756
C	120 121 220 221 320 321	CONDENSATEUR CHIPS	CC0603-1CG-G 120 PF 2% 63V	T9001759
CONNECTEUR (FIXED)			CAC46 1NF 20% 50V -55+105	T9001770
J	102 152	CONNECTEUR CMS	SNC-B-50-M-AB-CL-107	T1002997
INDUCTEUR				
L	100 101 200 201 300 301	INDUCTANCE CMS	NL252018T-2R7J 2,7UH 5%	T1005386
L	630 631 660 661 690 691	INDUCTANCE CMS	NL252018T-1R8J 1,8UH 5%	T1005388
L	500 520	INDUCTANCE CMS	NL252018T-220J 22UH 5%	T1005470
L	16 17 19 22 24 30	INDUCTANCE CMS	LC2220 22 UH 10% (OR09)	T9001335
L	920 921 940 941 960 961	INDUCTANCE CMS	NL252018T-390J 39UH 5%	T9003521
TRANSISTEUR				
O	700 710 720	RESEAU DE TRANSISTEURS CMS	3046 S014P -40485	T9001547
RESISTEUR				
R	833 925 945 965	POTENTIOMETRE CMS	ST-4B 500 OHMS 20%	91620902
R	103 203 303	POTENTIOMETRE CMS	ST-4B 100 OHMS 20%	91685743
R	1 2 3 4	RESISTANCE CHIPSE	RR0603 0 OHM	99180514
R	1050	RESISTANCE CHIPSE	RR0603 2,80 OHM 0,5% 1/16W K25	T1005955
R	1040 1041 1051 1052	RESISTANCE CHIPSE	RR0603 1,91KOHM 0,5% 1/16W K25	T1005956
R	102 107 202 207 302 307	RESISTANCE CHIPSE	RR0603 390 OHMS 0,5% 1/16W K50	T1005983
R	123 123 323 623 624 708 710 720 790 791 795 796	RESISTANCE CHIPSE	RR0603 1 KOHM 5% 1/16W K250	T9000696
R	911 1081			
R	150 160 260 360 404 405 406 500 610 613 670 1090	RESISTANCE CHIPSE	RR0603 10 KOHMS 5% 1/16W K250	T9000697
R	1100 1200			
R	611 614 671 1091 1101 1201	RESISTANCE CHIPSE	RR0603 100 KOHMS 5% 1/16W K250	T9000698
R	510 511 512 513 514 540	RESISTANCE CHIPSE	RR0603 22 OHMS 5% 1/16W K250	T9000941
R	122 132 145 222 232 245 322 332 345	RESISTANCE CHIPSE	RR0603 51 OHMS 5% 1/16W K250	T9000950
R	831	RESISTANCE CHIPSE	RR0603 1,2 KOHM 5% 1/16W K250	T9000980
R	705 711 721	RESISTANCE CHIPSE	RR0603 1,5 KOHM 5% 1/16W K250	T9000982
R	834	RESISTANCE CHIPSE	RR0603 1,6 KOHM 5% 1/16W K250	T9000983
R	921 941 961	RESISTANCE CHIPSE	RR0603 2 KOHMS 5% 1/16W K250	T9000985
R	923 943 963	RESISTANCE CHIPSE	RR0603 2,4 KOHMS 5% 1/16W K250	T9000987
R	702 706 712 722	RESISTANCE CHIPSE	RR0603 2,7 KOHMS 5% 1/16W K250	T9000988
R	1800	RESISTANCE CHIPSE	RR0603 4,7 KOHMS 5% 1/16W K250	T9000994
R	400 401 402 403 408 430 431 432 603	RESISTANCE CHIPSE	RR0603 5,6 KOHMS 5% 1/16W K250	T9000996
R	411 412 433	RESISTANCE CHIPSE	RR0603 8,2 KOHMS 5% 1/16W K250	T9001000
R	707 713 723	RESISTANCE CHIPSE	RR0603 150 OHMS 5% 1/16W K250	T9001034
R	620 621 622 910 1070 1080	RESISTANCE CHIPSE	RR0603 220 OHMS 5% 1/16W K250	T9001038
R	922 942 962	RESISTANCE CHIPSE	RR0603 330 OHMS 5% 1/16W K250	T9001042
R	80 900	RESISTANCE CHIPSE	RR0603 470 OHMS 5% 1/16W K250	T9001046
R	703 704	RESISTANCE CHIPSE	RR0603 510 OHMS 5% 1/16W K250	T9001047
R	840	RESISTANCE CHIPSE	RR0603 750 OHMS 5% 1/16W K250	T9001051
R	700 701	RESISTANCE CHIPSE	RR0603 820 OHMS 5% 1/16W K250	T9001052
R	835	RESISTANCE CHIPSE	RR0603 910 OHMS 5% 1/16W K250	T9001053
R	612 615 672 1092 1102 1202	RESISTANCE CHIPSE	RR0603 15 KOHMS 5% 1/16W K250	T9001057
R	121 221 321 1720	RESISTANCE CHIPSE	RR0603 47 KOHMS 5% 1/16W K250	T9001069
R	110 120 210 220 310 320	RESISTANCE CHIPSE	RR0603 91 KOHMS 5% 1/16W K250	T9001076
R	744	RESISTANCE CHIPSE	RC2211 825 OHMS 0,5% 1/5W K50	T9001112
R	783	RESISTANCE CHIPSE	RC2211 100 OHMS 0,5% 1/5W K50	T9001137
R	605 633 663 693	RESISTANCE CHIPSE	RC2211 560 OHMS 0,5% 1/5W K50	T9001142
R	745 787	RESISTANCE CHIPSE	RC2211 150 OHMS 0,5% 1/5W K50	T9001147
R	799	RESISTANCE CHIPSE	RC2211 390 OHMS 0,5% 1/5W K50	T9001149
R	762	RESISTANCE CHIPSE	RC2211 330 OHMS 0,5% 1/5W K50	T9001151
R	784	RESISTANCE CHIPSE	RC2211 170 OHMS 0,5% 1/5W K50	T9001153
R	747	RESISTANCE CHIPSE	RC2211 10 OHMS 1% 1/5W K50	T9001158
R	746	RESISTANCE CHIPSE	RC2211 182 OHMS 0,5% 1/5W K50	T9001197
R	1043 1056	RESISTANCE CHIPSE	RC2211 1,74 KOHM 0,5% 1/5W K50	T9001199
R	764	RESISTANCE CHIPSE	RC2211 13,3 KOHM 0,5% 1/5W K50	T9001200
R	769	RESISTANCE CHIPSE	RC2211 17,4 KOHM 0,5% 1/5W K50	T9001202
R	760	RESISTANCE CHIPSE	RC2211 215 KOHMS 0,5% 1/5W K50	T9001213
R	798	RESISTANCE CHIPSE	RC2211 46,4 KOHM 0,5% 1/5W K50	T9001219
R	741	RESISTANCE CHIPSE	RC2211 4,3 KOHMS 0,5% 1/5W K50	T9001235
R	768	RESISTANCE CHIPSE	RC2211 3,65 KOHM 0,5% 1/5W K50	T9001296
R	740	RESISTANCE CHIPSE	RC2211 22,1 KOHM 0,5% 1/5W K50	T9001301
R	749 789	RESISTANCE CHIPSE	RC2211 121 OHMS 0,5% 1/5W K50	T9001303
R	734 785	RESISTANCE CHIPSE	RC2211 221 OHMS 0,5% 1/5W K50	T9001386
R	753 793	RESISTANCE CHIPSE	RC2211 332 OHMS 0,5% 1/5W K50	T9001390
R	781	RESISTANCE CHIPSE	RC2211 11 KOHMS 0,5% 1/5W K50	T9001404
R	794	RESISTANCE CHIPSE	RC2211 43,2 KOHM 0,5% 1/5W K50	T9001414
R	761	RESISTANCE CHIPSE	RC2211 61,9 KOHM 0,5% 1/5W K50	T9001416
R	743 780	RESISTANCE CHIPSE	RC2211 1,38 KOHM 0,5% 1/5W K50	T9001486
R	767	RESISTANCE CHIPSE	RC2211 6,98 KOHM 0,5% 1/5W K50	T9001487
R	786	RESISTANCE CHIPSE	RC2211 5,49 KOHM 0,5% 1/5W K50	T9001642
R	100 200 300 600 601 602 630 660 690 803 812 823	RESISTANCE CHIPSE	RC0603 75 OHMS 0,5% 1/16W K50	T9001760

47033346AA

SCHEMA 64N

REF.	REFERENCE NUMBER	DESCRIPTION	VALUE	PART NO
RESISTOR				
R	832	RESISTANCE CHIPSE	RC603 75 OHMS 0.5% 1/16W K50	T9001760
R	101 201 301	RESISTANCE CHIPSE	RC603 13 OHMS 0.5% 1/16W K50	T9001761
R	105 106 126 130 131 133 140 141 142 143 144 170	RESISTANCE CHIPSE	RC603 1 KOHMS 0.5% 1/16W K50	T9001763
	205 206 226 230 231 233 240 241 242 243 244 270			
	305 306 326 330 331 333 340 341 342 343 344 370			
	631 661 691 730 731 742 750 751 765 770 771 782			
	797 800 802 810 811 821 822 830 924 926 944 946			
	964 966 1010 1011 1020 1021 1030 1031 1048 1054			
R	104 204 304 1044 1049 1057 1058	RESISTANCE CHIPSE	RC603 2KOHMS 0.5% 1/16W 50K	T9001795
R	763 1047	RESISTANCE CHIPSE	RC603 2.74KOHMS 0.5% 1/16W 50K	T9001799
R	1042 1045 1055	RESISTANCE CHIPSE	RC603 5.11KOHMS 0.5% 1/16W 50K	T9001804
R	1053	RESISTANCE CHIPSE	RC603 1.8 KOHMS 0.5% 1/16W 50	T9001813
R	766	RESISTANCE CHIPSE	RC603 10KOHMS 0.5% 1/16W 50K	T9001817
R	772	RESISTANCE CHIPSE	RC603 12.1KOHMS 0.5% 1/16W 50K	T9001818
R	1046	RESISTANCE CHIPSE	RC603 820 OHMS 0.5% 1/16W 50K	T9003354
R	632 662 692	POTENTIOMETRE CMS	ST-4H 200 OHMS 20%	T9003516
R	1700 1710	RESISTANCE CHIPSE	RR0805 47.5KOHM 1% 1/10W K100	T9004023
TEST POINT				
TP	1 2 3 4 5 6 7 9 112 130 140 212 230 240 312 330	PLAT CMS	RC1000000	T1002596
	340 700 710 720			
INTEGRATED CIRCUIT				
Z	796 1060	CIRCUIT INTEGRE CMS	*M*74HC4051 5016P -40+85	99165327
Z	120 220 320 610 670 800 820	CIRCUIT INTEGRE CMS	052 S08P 0.70 (T1062)	99175378
Z	700	CIRCUIT INTEGRE CMS	1R6361 S08P	T1000260
Z	430	CIRCUIT INTEGRE ASIC CMS	*0*ASIC-B TRAITEMENT VIDEO NUM	T1005105
Z	100 130 140 170 200 230 240 270 300 330 340 370	CIRCUIT INTEGRE CMS	C1C405AJE S08 -40 +85	T1005343
	630 660 690 730 740 750 760 770 780 830 920 940			
	960 1010 1020 1030 1040 1050			
Z	400	CIRCUIT INTEGRE ASIC CMS	*0*ASIC TRAITEMENT VIDEO CAMER	T1005385
Z	500	CIRCUIT INTEGRE CMS	AV9170-01-CS8 S08P 0.70	T1005395
Z	600	CIRCUIT INTEGRE CMS	ADV7122KP50 50MHZ PLCC44 0.70	T1005429
Z	160 260 360	CIRCUIT INTEGRE CMS	AD5801U S028P(0.3) 0.70	T1005995
Z	50	CIRCUIT INTEGRE CMS	74ACT02 S014P -40-85	T9000057
Z	60	MICROPROCESSEUR CMS	68HC68P1 S016P -40+85 8BIT	T9000419
Z	540	CIRCUIT INTEGRE CMS	74F125 S014P 0.70	T9000682
Z	1090 1100 1200	CIRCUIT INTEGRE CMS	082 S08P -40+85	T9000867
Z	620 790 795 910 1070 1080	CIRCUIT INTEGRE CMS	74HC4316 S016P -40+85	T9000911
Z	600A	SUPPORT DE CIRCUIT INTEGRE CMS	PLCC44-BP-OP-S ENCOCHE	T9001122
Z	80 840 900	CIRCUIT INTEGRE CMS	LT1009 S08P 0.70	T9001265
Z	510	CIRCUIT INTEGRE CMS	74AC244 S020P -40-85	T9001276
Z	40	CIRCUIT INTEGRE CMS	74F821 S024P 0.70	T9001292
Z	150	CIRCUIT INTEGRE CMS	74AC04 S014P -40+85	T9001464
Z	110	CIRCUIT INTEGRE CMS	*M*74HC4053 S016P -40-85	T9001499
Z	520	CIRCUIT INTEGRE CMS	AV9170-04-CS8 S08P 0.70	T9003492
Z	797	CIRCUIT INTEGRE CMS	1M285 1.235V -40+85 1% S08P	T9003515

< last page >

REF.	REFERENCE NUMBER	DESCRIPTION	VALUE	PART NO
13			LANGUETTE	39964910
30			BLINDAGE CARTE 2 CONNECTEURS	46152416AA
10			PERCEE	46152948
12		FACE AVANT	S20201-80	91280717
35		RONDILLE	TRANSFERT REF.950 LARG.19MM	91554602
11		ROBAN	C 2X25 U 22CND17-12 PASSIVE	99071508
11		VIS		
CAPACITOR				
C	611 633 731	CONDENSATEUR CHIPS	CTC3A 1NF 20% 16V	99142711
C	1 130 140 422 424 912 913 1000 1001	CONDENSATEUR CHIPS	CTC3D 47NF 20% 16V	T1006086
C	311 312 323 330	CONDENSATEUR CHIPS	CC0805B-2C1 10 NF 10% 50/63V	T9000152
C	2 3 4	CONDENSATEUR CHIPS	CAC66 100 MF 20% 6.3V -40+105	T9000694
C	541 631 732 783 865 866 943 951 982 983	CONDENSATEUR CHIPS	CC0603-1CG-J 100 PF 5% 63V	T9000870
C	867	CONDENSATEUR CHIPS	CC0603-1CG-J 220 PF 5% 63V	T9000871
C	784 944	CONDENSATEUR CHIPS	CC0603-1CG-J 330 PF 5% 63V	T9000872
C	90 103 104 110 122 131 141 150 160 170 180 181	CONDENSATEUR CHIPS	CC0805B-X7R 0.1MF 10% 25V	T9000957
C	182 183 190 191 192 193 200 210 220 221 230 231			
C	240 241 270 300 320 321 322 324 332 340 341 400			
C	403 500 501 502 520 540 550 572 580 610 630 634			
C	650 660 700 701 703 704 733 781 782 790 791 860			
C	861 862 863 910 911 920 921 941 942 980 981 984			
C	1010 1011 1050 1060 1070 1071			
C	225 235	CONDENSATEUR CHIPS	CC0603-1CG-J 12 PF 5% 63V	T9000958
C	331 805	CONDENSATEUR CHIPS	CC0603-1CG-J 15 PF 5% 63V	T9000959
C	1020	CONDENSATEUR CHIPS	CC0603-1CG-J 18 PF 5% 63V	T9000960
C	223 233 632	CONDENSATEUR CHIPS	CC0603-1CG-J 22 PF 5% 63V	T9000961
C	222 232 864	CONDENSATEUR CHIPS	CC0603-1CG-J 47 PF 5% 63V	T9000964
C	600	CONDENSATEUR CHIPS	CC0603-1CG-J 68 PF 5% 63V	T9000966
C	635 801	CONDENSATEUR CHIPS	CC0603-1CG-J 120 PF 5% 63V	T9000968
C	401	CONDENSATEUR CHIPS	CC0603-1CG-J 180 PF 5% 63V	T9000970
C	402	CONDENSATEUR CHIPS	CC0603-1CG-J 390 PF 5% 63V	T9000971
C	800	CONDENSATEUR CHIPS	CC0603-1CG-J 2.2PF+-0.25PF 63V	T9000974
C	868 952	CONDENSATEUR CHIPS	CC0603-1CG-J 4.7PF+-0.25PF 63V	T9000976
C	224 234 310	CONDENSATEUR CHIPS	CC0603-1CG-J 8.2PF+-0.25PF 63V	T9000978
C	705	CONDENSATEUR CHIPS	CC0603-2C1 1NF 10% 63V	T9001015
C	105 120 571 702 730 950	CONDENSATEUR CHIPS	CC0603-2C1 10NF 10% 63V	T9001016
C	915	CONDENSATEUR CHIPS	CC0603-1CG-J 27 PF 5% 63V	T9001179
C	570	CONDENSATEUR CHIPS	CC0805-1CG-J 1 NF 5% 50/63V	T9001369
C	100 101 831 961	CONDENSATEUR CHIPS	CTC3B 4.7NF 20% 16V	T9001370
C	420 421	CONDENSATEUR CHIPS	CTC3D 22NF 20% 16V	T9001718
DIODE				
CR	420 540 550 600 660 701	DIODE GNS	BA516 SOT23 [A6]	99110304
CR	601 602	DIODE GNS	BA556 SOT23 [A1]	99111266
CR	100 240 241 700 730 800	DIODE GNS	BAV99 SOT23	99116852
DELAY LINE				
DL	1010	LIGNE A RETARD	DL5107 336 NS 500 OHMS	91675760
CONNECTOR (FIXED)				
J	114	CONNECTEUR	LX-6P-DUT1-P1	T1001245
INDUCTOR				
L	1020	INDUCTANCE GNS	GL4AN-91012 (100UH)	T1002140
L	950	INDUCTANCE GNS	GL4AN-92202 (22UH)	T1002142
L	600 861	INDUCTANCE GNS	LC1812 22 MICROHENRYS 10%	T9001007
L	130 140	INDUCTANCE GNS	LC1812 47 MICROHENRYS 10%	T9001008
L	780 940	INDUCTANCE GNS	LC1812 68 MICROHENRYS 10%	T9001010
L	1 2 3 4	INDUCTANCE GNS	LC2220 22 UH 10% (OR09)	T9001335
L	860	INDUCTANCE GNS	LC1812 10 MICROHENRYS 10%	T9001639
CONNECTOR (MOBILE)				
P	104	CONNECTEUR GNS	SHC-B-50-N-AB-CL-107	T1002997
TRANSISTOR				
Q	420 610 790 890 1000	TRANSISTOR GNS	S03904 NPN SOT23	99110321
Q	300 310 900 1010	TRANSISTOR GNS	S03906 PNP SOT23	99110322
RESISTOR				
R	11 12 13	POTENTIOMETRE GNS	ST-3A 10 KOHMS 20%	T1001973
R	14 15 23	POTENTIOMETRE GNS	ST-3A 5 KOHMS 20%	T1002027
R	19 21	POTENTIOMETRE GNS	ST-3A 1 KOHM 20%	T1002028
R	18	POTENTIOMETRE GNS	ST-3A 500 OHMS 20%	T1002085
R	10	POTENTIOMETRE GNS	ST-5W 10 KOHMS 10% (11 TOURS)	T1002157
R	16 20	POTENTIOMETRE GNS	ST-3A 100 KOHMS 20%	T1002181
R	220 230 271 420 520 540 600 881 882 910 913 1064	RESISTANCE CHIPSE	RR0603 1 KOHM 5% 1/16W K250	T9000696
R	106 244 320 323 633 713 737 738 793 805 830 950	RESISTANCE CHIPSE	RR0603 10 KOHMS 5% 1/16W K250	T9000697
R	1000 1060 1061			
R	242 243 270 330 340 421 541 550 680 1062 1063	RESISTANCE CHIPSE	RR0603 100 KOHMS 5% 1/16W K250	T9000698
R	9410			
R	603	RESISTANCE CHIPSE	RR0603 10 OHMS 5% 1/16W K250	T9000933
R	150 201 202 203 210 211 212 213 214 215	RESISTANCE CHIPSE	RR0603 22 OHMS 5% 1/16W K250	T9000941
R	200	RESISTANCE CHIPSE	RR0603 33 OHMS 5% 1/16W K250	T9000945
R	813	RESISTANCE CHIPSE	RR0603 39 OHMS 5% 1/16W K250	T9000947
R	787 865 1001 1010	RESISTANCE CHIPSE	RR0603 47 OHMS 5% 1/16W K250	T9000949
R	632 950 951	RESISTANCE CHIPSE	RR0603 1.5 KOHM 5% 1/16W K250	T9000982
R	602 831 866 961 984 1002 1011	RESISTANCE CHIPSE	RR0603 2.2 KOHMS 5% 1/16W K250	T9000986
R	423 601 610 911	RESISTANCE CHIPSE	RR0603 2.7 KOHMS 5% 1/16W K250	T9000988
R	124 400 890 900	RESISTANCE CHIPSE	RR0603 3.3 KOHMS 5% 1/16W K250	T9000990
R	110 180 300 301 333 607 791 792 900 953 954	RESISTANCE CHIPSE	RR0603 4.7 KOHMS 5% 1/16W K250	T9000994
R	952	RESISTANCE CHIPSE	RR0603 5.6 KOHMS 5% 1/16W K250	T9000996
R	100	RESISTANCE CHIPSE	RR0603 6.8 KOHMS 5% 1/16W K250	T9000998
R	604 631	RESISTANCE CHIPSE	RR0603 8.2 KOHMS 5% 1/16W K250	T9001000
R	310 332 422 581 790 861 870 981	RESISTANCE CHIPSE	RR0603 100 OHMS 5% 1/16W K250	T9001030
R	730	RESISTANCE CHIPSE	RR0603 220 OHMS 5% 1/16W K250	T9001038
R	788	RESISTANCE CHIPSE	RR0603 336 OHMS 5% 1/16W K250	T9001042
R	1021	RESISTANCE CHIPSE	RR0603 390 OHMS 5% 1/16W K250	T9001044
R	786 946	RESISTANCE CHIPSE	RR0603 430 OHMS 5% 1/16W K250	T9001045
R	871 880 1012	RESISTANCE CHIPSE	RR0603 470 OHMS 5% 1/16W K250	T9001046
R	912	RESISTANCE CHIPSE	RR0603 510 OHMS 5% 1/16W K250	T9001047
R	864 869 982 983	RESISTANCE CHIPSE	RR0603 560 OHMS 5% 1/16W K250	T9001048
R	862	RESISTANCE CHIPSE	RR0603 670 OHMS 5% 1/16W K250	T9001049
R	605 986 1003	RESISTANCE CHIPSE	RR0603 680 OHMS 5% 1/16W K250	T9001050
R	867	RESISTANCE CHIPSE	RR0603 820 OHMS 5% 1/16W K250	T9001052
R	860 980	RESISTANCE CHIPSE	RR0603 12 KOHMS 5% 1/16W K250	T9001055
R	872	RESISTANCE CHIPSE	RR0603 15 KOHMS 5% 1/16W K250	T9001057
R	571 944	RESISTANCE CHIPSE	RR0603 16 KOHMS 5% 1/16W K250	T9001058
R	101 821	RESISTANCE CHIPSE	RR0603 22 KOHMS 5% 1/16W K250	T9001061
R	784	RESISTANCE CHIPSE	RR0603 24 KOHMS 5% 1/16W K250	T9001062
R	401	RESISTANCE CHIPSE	RR0603 27 KOHMS 5% 1/16W K250	T9001063
R	812	RESISTANCE CHIPSE	RR0603 36 KOHMS 5% 1/16W K250	T9001066
R	630 634	RESISTANCE CHIPSE	RR0603 47 KOHMS 5% 1/16W K250	T9001069
R	711	RESISTANCE CHIPSE	RR0603 62 KOHMS 5% 1/16W K250	T9001072
R	247 706	RESISTANCE CHIPSE	RR0603 82 KOHMS 5% 1/16W K250	T9001075
R	605	RESISTANCE CHIPSE	RR0603 150 KOHMS 5% 1/16W K250	T9001080
R	241	RESISTANCE CHIPSE	RR0603 200 KOHMS 5% 1/16W K250	T9001083
R	705 735	RESISTANCE CHIPSE	RR0603 220 KOHMS 5% 1/16W K250	T9001084
R	500	RESISTANCE CHIPSE	RR0603 240 KOHMS 5% 1/16W K250	T9001085

REF.	REFERENCE NUMBER	DESCRIPTION	VALUE	PART NO
R 240	344	RESISTANCE CHIPSE	RR0603 330 KOHMS 5% 1/16W K250	T9001088
R 660		RESISTANCE CHIPSE	RR0603 470 KOHMS 5% 1/16W K250	T9001092
R 8540		RESISTANCE CHIPSE	RR0603 680 KOHMS 5% 1/16W K250	T9001096
R 345	925	RESISTANCE CHIPSE	RR0603 820 KOHMS 5% 1/16W K250	T9001098
R 712	736 1020	RESISTANCE CHIPSE	RR0603 1 MEGOHM 5% 1/16W K250	T9001100
R 703		RESISTANCE CHIPSE	RR0603 1.5 MEGOHM 5% 1/16W	T9001101
R 707		RESISTANCE CHIPSE	RR0603 2.2 MEGOHM 5% 1/16W	T9001102
R 782		RESISTANCE CHIPSE	RC2211 3.32 KOHM 0.5% 1/5W K50	T9001115
R 780		RESISTANCE CHIPSE	RC2211 4.87 KOHM 0.5% 1/5W K50	T9001221
R 923		RESISTANCE CHIPSE	RC2211 100 KOHMS 0.5% 1/5W K50	T9001304
R 822		RESISTANCE CHIPSE	RC2211 3.01 KOHM 0.5% 1/5W K50	T9001400
R 927		RESISTANCE CHIPSE	RC2211 39.2 KOHM 0.5% 1/5W K50	T9001413
R 914		RESISTANCE CHIPSE	RC603 75 OHMS 0.5% 1/16W K50	T9001760
R 311	814	RESISTANCE CHIPSE	RC603 1 KOHMS 0.5% 1/16W K50	T9001763
R 945		RESISTANCE CHIPSE	RC603 1.6 KOHMS 0.5% 1/16W 50	T9001793
R 783	815 853 855 856 920 921 924 943	RESISTANCE CHIPSE	RC603 2KOHMS 0.5% 1/16W 50K	T9001795
R 810	820	RESISTANCE CHIPSE	RC603 2.21KOHMS 0.5% 1/16W 50K	T9001798
R 223	224 233 234 570 823	RESISTANCE CHIPSE	RC603 3.32KOHMS 0.5% 1/16W 50K	T9001801
R 811		RESISTANCE CHIPSE	RC603 4.64KOHMS 0.5% 1/16W 50K	T9001803
R 221	231 940	RESISTANCE CHIPSE	RC603 5.11KOHMS 0.5% 1/16W 50K	T9001804
R 222	232 922	RESISTANCE CHIPSE	RC603 5.62KOHMS 0.5% 1/16W 50K	T9001805
R 246	942	RESISTANCE CHIPSE	RC603 7.5KOHMS 0.5% 1/16W 50K	T9001806
R 941		RESISTANCE CHIPSE	RC603 4.22KOHMS 0.5% 1/16W 50K	T9001808
R 702	705 708	RESISTANCE CHIPSE	RC603 12.1KOHMS 0.5% 1/16W 50K	T9001817
R 731	733	RESISTANCE CHIPSE	RC603 19.1KOHMS 0.5% 1/16W 50K	T9001818
R 245		RESISTANCE CHIPSE	RC603 22.1KOHMS 0.5% 1/16W 50K	T9001821
R 120	121 122 321 322 700 734	RESISTANCE CHIPSE	RC603 27.1KOHMS 0.5% 1/16W 50K	T9001823
R 710		RESISTANCE CHIPSE	RC603 29.1KOHMS 0.5% 1/16W 50K	T9001824
R 248	342	RESISTANCE CHIPSE	RC603 40.4KOHMS 0.5% 1/16W 50K	T9001825
R 249	343 701 704 732	RESISTANCE CHIPSE	RC603 100KOHMS 0.5% 1/16W 50K	T9001826
R 851		RESISTANCE CHIPSE	RC603 9.53K 0.5% 1/16W K50	T9001845
R 852		RESISTANCE CHIPSE	RC603 10.7K 0.5% 1/16W K50	T9001846
R 854		RESISTANCE CHIPSE	RC603 29.7K 0.5% 1/16W K50	T9001847
R 123		RESISTANCE CHIPSE	RC603 20.7KOHMS 0.5% 1/16W 50K	T9003353
R 850		RESISTANCE CHIPSE	RC603 40.7KOHMS 0.5% 1/16W 50K	T9003489
R 857		RESISTANCE CHIPSE	RC603 604 OHMS 0.5% 1/16W 50K	T9003490
R 781		RESISTANCE CHIPSE	RC603 5.76K 0.5% 1/16W K50	T9003828
R 858	926	RESISTANCE CHIPSE	RC603 261K 0.5% 1/16W K50	T9003829
R 785		RESISTANCE CHIPSE	RC603 1.54KOHMS 0.5% 1/16W K50	T9004373
SWITH				
S	1 2 3	COMMUTEUR CMS	%%INVERSEUR ROTAT.2POS+N 1POL	T9001347
TEST POINT				
TP	1 2 3 4 5 6 8 9 10 17 18 19 20 21 22 23	PLOT CMS	RC100000C	T1002596
QUARTZ				
Y	130	OSCILLATEUR A QUARTZ	VCXO-104 14.31618 MHZ	91686253
Y	140	OSCILLATEUR A QUARTZ	VC-TCXO-43C1 27MHZ +-1PPM	T1005597
INTEGRATED CIRCUIT				
Z	170	CIRCUIT INTEGRE PROGRAMME	Z 170	47016994
Z	190	CIRCUIT INTEGRE PROGRAMME	Z 190	47016995
Z	400 570 630	CIRCUIT INTEGRE CMS	%%PC74HC453BT 5016P -40+85	91680869
Z	170A	SUPPORT EN CIRCUIT INTEGRE	SG188-Y1-A-B	91165590
Z	200 210 800	CIRCUIT INTEGRE CMS	74HC04 5014P -40+85	99137355
Z	930	CIRCUIT INTEGRE CMS	74HC08 5014P -40+85	99137356
Z	250 270 340 580 790 880 1020	CIRCUIT INTEGRE CMS	%%74HC4053 5016P -40+85	99137357
Z	660	CIRCUIT INTEGRE CMS	74HC02 5014P -40+85	99137358
Z	330	CIRCUIT INTEGRE CMS	74HC123 5016P -40+85	99138868
Z	160 540 680	CIRCUIT INTEGRE CMS	74HC74 5014P -40+85	99142001
Z	520 550	CIRCUIT INTEGRE CMS	74HC00 5014P -40+85	99142253
Z	650	CIRCUIT INTEGRE CMS	%%74HC4017 5016P -40+85	99142989
Z	150	CIRCUIT INTEGRE CMS	74HC104 5014P -40+85	99143772
Z	100 240 320 700 710 730	CIRCUIT INTEGRE CMS	062 508P 0+70 (T1062)	99175378
Z	950	CIRCUIT INTEGRE CMS	LN6361 508P	T1000260
Z	220 230	CIRCUIT INTEGRE CMS	AD847JR 508P 0+70	T1000607
Z	910	CIRCUIT INTEGRE CMS	LT1229CSB 508P 0+70	T1001991
Z	170	MEMOIRE PROM	XC1765-PUBC 88P 0+70	T1002597
Z	780 810 820 830 850 920 940 960	CIRCUIT INTEGRE CMS	CIC405A1E 508 -40 +85	T1005343
Z	190	RESIAU LOGIQUE PROGRAM. CMS	%%E%970321C94-10 PLCC44 0+70	T1005488
Z	500	CIRCUIT INTEGRE CMS	CS4982-CKA 508P 0+70	T1005547
Z	1060	MICROPROCESSEUR CMS	68HC68P1 5016P -40+85 8BIT	T9000419
Z	90	CIRCUIT INTEGRE CMS	74HC4046 5016P -40+85	T9000577
Z	600	RESEAU DE TRANSISTEURS CMS	3086 5014P -40+85	T9000628
Z	120	CIRCUIT INTEGRE CMS	74HC4052 5016P -40+85	T9000721
Z	1050	CIRCUIT INTEGRE CMS	*0-DAC08 R-2R 60US DF16P -20+8	T9000728
Z	1070	CIRCUIT INTEGRE CMS	74HC4316 5016P -40+85	T9000911
Z	190A	SUPPORT DE CIRCUIT INTEGRE CMS	%%S%PLCC44-BI-0P-S ENCOCHE	T9001122
Z	860 980	CIRCUIT INTEGRE CMS	1456 5014P 0+70	T9001554
Z	180		XC4003E-4-PQ100C QF100P 0+70	T9003863

REF.	REFERENCE NUMBER	DESCRIPTION	VALUE	PART NO
	13		LANGUETTE	39964910
	30		BLINDAGE CARTE 2 CONNECTEURS	46152416AA
	10		NTSC1 MARQUEE	46153383AA
	12	FACE AVANT	520201-80	91280717
	35	HONDELLE	TKANSFERT REF.950 LARG.19MM	91554602
	11	RUBAN	C M2X5 U 22CND17-12 PASSIVE	99071508
	11	VLS		
CAPACITOR				
C	611 633 731	CONDENSATEUR CHIPS	CTC3A 1NF 20%	16V 99142711
C	1 130 140 422 424 912 913 1000 1001	CONDENSATEUR CHIPS	CTC3D 47NF 20%	16V T1006086
C	311 312 323 330	CONDENSATEUR CHIPS	CC0805B-2C1 10 NF 10% 50/63V	T9000152
C	2 3 4	CONDENSATEUR CHIPS	CAC56 100 MF 20% 6.3V -40+105	T9000694
C	541 631 732 783 865 866 943 951 982 983	CONDENSATEUR CHIPS	CC0603-1CC-J 100 PF 5% 63V	T9000870
C	867	CONDENSATEUR CHIPS	CC0603-1CC-J 220 PF 5% 63V	T9000871
C	784 944	CONDENSATEUR CHIPS	CC0603-1CC-J 330 PF 5% 63V	T9000872
C	90 103 104 110 122 131 141 150 160 170 180 181	CONDENSATEUR CHIPS	CC0805B-X7R 0.1MF 10% 25V	T9000957
	182 183 190 191 192 193 200 210 220 221 230 231			
	240 241 270 300 320 321 322 324 332 340 341 400			
	403 500 501 502 520 540 550 572 580 610 630 634			
	650 660 700 701 703 704 733 781 782 790 791 860			
	861 862 863 910 911 920 921 941 942 960 981 984			
	1010 1011 1050 1060 1070 1071			
C	225 235	CONDENSATEUR CHIPS	CC0603-1CC-J 12 PF 5% 63V	T9000958
C	331 805	CONDENSATEUR CHIPS	CC0603-1CC-J 15 PF 5% 63V	T9000959
C	1020	CONDENSATEUR CHIPS	CC0603-1CC-J 18 PF 5% 63V	T9000960
C	223 233 632	CONDENSATEUR CHIPS	CC0603-1CC-J 22 PF 5% 63V	T9000961
C	222 232 864	CONDENSATEUR CHIPS	CC0603-1CC-J 47 PF 5% 63V	T9000964
C	600	CONDENSATEUR CHIPS	CC0603-1CC-J 68 PF 5% 63V	T9000966
C	635 801	CONDENSATEUR CHIPS	CC0603-1CC-J 120 PF 5% 63V	T9000968
C	401	CONDENSATEUR CHIPS	CC0603-1CC-J 180 PF 5% 63V	T9000970
C	402	CONDENSATEUR CHIPS	CC0603-1CC-J 390 PF 5% 63V	T9000971
C	800	CONDENSATEUR CHIPS	CC0603-1CC-J 2.2PF+-0.25PF 63V	T9000974
C	858 952	CONDENSATEUR CHIPS	CC0603-1CC-J 4.7PF+-0.25PF 63V	T9000976
C	224 234 310	CONDENSATEUR CHIPS	CC0603-1CC-J 8.2PF+-0.25PF 63V	T9000978
C	705	CONDENSATEUR CHIPS	CC0603-2C1 1NF 10% 63V	T9001015
C	105 120 571 702 730 950	CONDENSATEUR CHIPS	CC0603-1CC-J 27 PF 5% 63V	T9001016
C	915	CONDENSATEUR CHIPS	CC0805-1CC-J 1 NF 5% 50/63V	T9001179
C	570	CONDENSATEUR CHIPS	CTC3B 4.7NF 20%	16V T9001369
C	100 101 831 961	CONDENSATEUR CHIPS	CTC3D 22NF 20%	16V T9001370
C	420 421	CONDENSATEUR CHIPS		T9001718
DIODE				
CR	420 540 550 600 660 701	DIODE CMS	BA516 SOT23 [A6]	99110304
CR	601 602	DIODE CMS	BAW56 SOT23 [A1]	99111266
CR	100 240 241 700 730 800	DIODE CMS	BAV99 SOT23	99116852
DELAY LINE				
DL	1010	LIGNE A RETARD	DL5107 338 NS 500 OHMS	91675760
CONNECTOR (FIXED)				
J	114	CONNECTEUR	IX-5P-ELT1-P1	T1001245
INDUCTOR				
L	1020	INDUCTANCE CMS	614AN-91C12 (100UH)	T1002140
L	950	INDUCTANCE CMS	614BN-922C2 (22UH)	T1002142
L	600 861	INDUCTANCE CMS	IC1812 22 MICROHENRYS 10%	T9001007
L	130 140	INDUCTANCE CMS	IC1812 47 MICROHENRYS 10%	T9001008
L	780 940	INDUCTANCE CMS	IC1812 68 MICROHENRYS 10%	T9001010
L	1 2 3 4	INDUCTANCE CMS	IC2220 22 OH 10% (R09)	T9001335
L	860	INDUCTANCE CMS	IC1812 10 MICROHENRYS 10%	T9001639
CONNECTOR (MOBILE)				
P	104	CONNECTEUR CMS	SAC-B-50-M-AB-CL-107	T1002997
TRANSISTOR				
Q	420 610 790 890 1000	TRANSISTOR CMS	SO3904 NPN SOT23	99110321
Q	300 310 900 1010	TRANSISTOR CMS	SO3906 PNP SOT23	99110322
RESISTOR				
R	11 12 13	POTENTIOMETRE CMS	ST-3A 10 KOHMS 20%	T1001973
R	14 15 23	POTENTIOMETRE CMS	ST-3A 5 KOHMS 20%	T1002027
R	19 21	POTENTIOMETRE CMS	ST-3A 1 KOHM 20%	T1002028
R	18	POTENTIOMETRE CMS	ST-3A 500 OHMS 20%	T1002085
R	10	POTENTIOMETRE CMS	ST-5W 10 KOHMS 10% (11 TOURS)	T1002157
R	16 20	POTENTIOMETRE CMS	ST-3A 100 KOHMS 20%	T1002181
R	220 230 271 420 520 540 600 881 882 910 913 1064	RESISTANCE CHIPSE	RRO603 1 KOHM 5% 1/16W K250	T9000696
R	106 244 320 323 633 713 737 738 793 805 830 960	RESISTANCE CHIPSE	RRO603 10 KOHMS 5% 1/16W K250	T9000697
	1000 1060 1061			
R	242 243 270 330 340 421 541 550 680 1062 1063	RESISTANCE CHIPSE	RRO603 100 KOHMS 5% 1/16W K250	T9000698
	9410			
R	603	RESISTANCE CHIPSE	RRO603 10 OHMS 5% 1/16W K250	T9000933
R	150 201 202 203 210 211 212 213 214 215	RESISTANCE CHIPSE	RRO603 22 OHMS 5% 1/16W K250	T9000941
R	200	RESISTANCE CHIPSE	RRO603 33 OHMS 5% 1/16W K250	T9000945
R	813	RESISTANCE CHIPSE	RRO603 39 OHMS 5% 1/16W K250	T9000947
R	787 865 1001 1010	RESISTANCE CHIPSE	RRO603 47 OHMS 5% 1/16W K250	T9000949
R	632 950 951	RESISTANCE CHIPSE	RRO603 1.5 KOHM 5% 1/16W K250	T9000982
R	602 831 866 961 984 1002 1011	RESISTANCE CHIPSE	RRO603 2.2 KOHMS 5% 1/16W K250	T9000986
R	423 601 610 911	RESISTANCE CHIPSE	RRO603 2.7 KOHMS 5% 1/16W K250	T9000988
R	124 400 890 900	RESISTANCE CHIPSE	RRO603 3.3 KOHMS 5% 1/16W K250	T9000990
R	110 180 300 301 333 607 791 792 800 953 954	RESISTANCE CHIPSE	RRO603 4.7 KOHMS 5% 1/16W K250	T9000994
R	952	RESISTANCE CHIPSE	RRO603 5.6 KOHMS 5% 1/16W K250	T9000996
R	100	RESISTANCE CHIPSE	RRO603 6.8 KOHMS 5% 1/16W K250	T9000998
R	604 631	RESISTANCE CHIPSE	RRO603 8.2 KOHMS 5% 1/16W K250	T9001000
R	310 332 422 581 790 861 870 981	RESISTANCE CHIPSE	RRO603 100 OHMS 5% 1/16W K250	T9001030
R	730	RESISTANCE CHIPSE	RRO603 220 OHMS 5% 1/16W K250	T9001038
R	788	RESISTANCE CHIPSE	RRO603 330 OHMS 5% 1/16W K250	T9001042
R	1021	RESISTANCE CHIPSE	RRO603 390 OHMS 5% 1/16W K250	T9001044
R	786 946	RESISTANCE CHIPSE	RRO603 430 OHMS 5% 1/16W K250	T9001045
R	871 880 1012	RESISTANCE CHIPSE	RRO603 470 OHMS 5% 1/16W K250	T9001046
R	912	RESISTANCE CHIPSE	RRO603 510 OHMS 5% 1/16W K250	T9001047
R	864 869 982 983	RESISTANCE CHIPSE	RRO603 560 OHMS 5% 1/16W K250	T9001048
R	862	RESISTANCE CHIPSE	RRO603 620 OHMS 5% 1/16W K250	T9001049
R	606 986 1003	RESISTANCE CHIPSE	RRO603 680 OHMS 5% 1/16W K250	T9001050
R	867	RESISTANCE CHIPSE	RRO603 820 OHMS 5% 1/16W K250	T9001052
R	860 980	RESISTANCE CHIPSE	RRO603 12 KOHMS 5% 1/16W K250	T9001055
R	872	RESISTANCE CHIPSE	RRO603 15 KOHMS 5% 1/16W K250	T9001057
R	571 944	RESISTANCE CHIPSE	RRO603 16 KOHMS 5% 1/16W K250	T9001058
R	101 821	RESISTANCE CHIPSE	RRO603 22 KOHMS 5% 1/16W K250	T9001061
R	784	RESISTANCE CHIPSE	RRO603 24 KOHMS 5% 1/16W K250	T9001062
R	401	RESISTANCE CHIPSE	RRO603 27 KOHMS 5% 1/16W K250	T9001063
R	812	RESISTANCE CHIPSE	RRO603 36 KOHMS 5% 1/16W K250	T9001066
R	630 634	RESISTANCE CHIPSE	RRO603 47 KOHMS 5% 1/16W K250	T9001069
R	711	RESISTANCE CHIPSE	RRO603 62 KOHMS 5% 1/16W K250	T9001072
R	247 706	RESISTANCE CHIPSE	RRO603 82 KOHMS 5% 1/16W K250	T9001075
R	605	RESISTANCE CHIPSE	RRO603 150 KOHMS 5% 1/16W K250	T9001080
R	241	RESISTANCE CHIPSE	RRO603 200 KOHMS 5% 1/16W K250	T9001083
R	709 735	RESISTANCE CHIPSE	RRO603 220 KOHMS 5% 1/16W K250	T9001084
R	500	RESISTANCE CHIPSE	RRO603 240 KOHMS 5% 1/16W K250	T9001085

REF.	REFERENCE NUMBER	DESCRIPTION	VALUE	PART NO
R 240 344		RESISTANCE CHIPSE	RC0503 330 KOHMS 5% 1/16W K250	T9001088
R 660		RESISTANCE CHIPSE	RC0503 470 KOHMS 5% 1/16W K250	T9001092
R 8540		RESISTANCE CHIPSE	RC0503 680 KOHMS 5% 1/16W K250	T9001096
R 345 925		RESISTANCE CHIPSE	RC0503 820 KOHMS 5% 1/16W K250	T9001098
R 712 736 1020		RESISTANCE CHIPSE	RC0603 1 MEGOHM 5% 1/16W K250	T9001100
R 703		RESISTANCE CHIPSE	RC0603 1,5 MEGOHM 5% 1/16W	T9001101
R 707		RESISTANCE CHIPSE	RC0603 2,2 MEGOHM 5% 1/16W	T9001102
R 782		RESISTANCE CHIPSE	RC2211 3,32 KOHM 0,5% 1/5W K50	T9001115
R 780		RESISTANCE CHIPSE	RC2211 4,87 KOHM 0,5% 1/5W K50	T9001221
R 923		RESISTANCE CHIPSE	RC2211 100 KOHMS 0,5% 1/5W K50	T9001304
R 822		RESISTANCE CHIPSE	RC2211 3,01 KOHM 0,5% 1/5W K50	T9001400
R 927		RESISTANCE CHIPSE	RC2211 39,2 KOHM 0,5% 1/5W K50	T9001413
R 914		RESISTANCE CHIPSE	RC603 75 OHMS 0,5% 1/16W K50	T9001760
R 311 814		RESISTANCE CHIPSE	RC603 1 KOHMS 0,5% 1/16W K50	T9001763
R 945		RESISTANCE CHIPSE	RC603 1,6 KOHMS 0,5% 1/16W 50	T9001793
R 783 815 853 855 856 920 921 924 943		RESISTANCE CHIPSE	RC603 2 KOHMS 0,5% 1/16W 50K	T9001795
R 810 820		RESISTANCE CHIPSE	RC603 2,21 KOHMS 0,5% 1/16W 50K	T9001798
R 223 224 233 234 570 823		RESISTANCE CHIPSE	RC603 3,32 KOHMS 0,5% 1/16W 50K	T9001801
R 811		RESISTANCE CHIPSE	RC603 4,64 KOHMS 0,5% 1/16W 50K	T9001803
R 221 231 940		RESISTANCE CHIPSE	RC603 5,11 KOHMS 0,5% 1/16W 50K	T9001804
R 222 232 922		RESISTANCE CHIPSE	RC603 5,62 KOHMS 0,5% 1/16W 50K	T9001805
R 246 942		RESISTANCE CHIPSE	RC603 7,5 KOHMS 0,5% 1/16W 50K	T9001806
R 941		RESISTANCE CHIPSE	RC603 4,22 KOHMS 0,5% 1/16W 50K	T9001808
R 702 705 708		RESISTANCE CHIPSE	RC603 10 KOHMS 0,5% 1/16W 50K	T9001817
R 731 733		RESISTANCE CHIPSE	RC603 12,1 KOHMS 0,5% 1/16W 50K	T9001818
R 245		RESISTANCE CHIPSE	RC603 19,1 KOHMS 0,5% 1/16W 50K	T9001821
R 120 121 122 321 322 700 734		RESISTANCE CHIPSE	RC603 22,1 KOHMS 0,5% 1/16W 50K	T9001823
R 710		RESISTANCE CHIPSE	RC603 24,9 KOHMS 0,5% 1/16W 50K	T9001824
R 248 342		RESISTANCE CHIPSE	RC603 46,4 KOHMS 0,5% 1/16W 50K	T9001825
R 249 343 701 704 732		RESISTANCE CHIPSE	RC603 100 KOHMS 0,5% 1/16W 50K	T9001826
R 851		RESISTANCE CHIPSE	RC603 9,53K 0,5% 1/16W K50	T9001845
R 852		RESISTANCE CHIPSE	RC603 18,7K 0,5% 1/16W K50	T9001846
R 854		RESISTANCE CHIPSE	RC603 29,4K 0,5% 1/16W K50	T9001847
R 123		RESISTANCE CHIPSE	RC603 26,7 KOHMS 0,5% 1/16W 50K	T9003353
R 850		RESISTANCE CHIPSE	RC603 48,7 KOHMS 0,5% 1/16W 50K	T9003489
R 857		RESISTANCE CHIPSE	RC603 604 OHMS 0,5% 1/16W 50K	T9003490
R 781		RESISTANCE CHIPSE	RC603 5,76K 0,5% 1/16W K50	T9003828
R 858 926		RESISTANCE CHIPSE	RC603 261K 0,5% 1/16W K50	T9003829
R 785		RESISTANCE CHIPSE	RC603 1,54 KOHMS 0,5% 1/16W K50	T9004373
SWITH				
S 1 2 3		COMMUTEUR CMS	*15 INVERSEUR ROTAT. 2 POS *N 1 POL	T9001347
TEST POINT				
TP 1 2 3 4 5 6 8 9 10 17 18 19 20 21 22 23		PLOT CMS	RCT000000	T1002596
QUARTZ				
Y 130		OSCILLATEUR A QUARTZ	VCXO-104 14,31818 MHZ	91686253
Y 140		OSCILLATEUR A QUARTZ	VC-TCXO-43C1 27MHZ +-1PPM	T1005597
INTEGRATED CIRCUIT				
Z 170		CIRCUIT INTEGRE PROGRAMME	Z 170	47016994
Z 190		CIRCUIT INTEGRE PROGRAMME	Z 190	47016995AA
Z 400 570 630		CIRCUIT INTEGRE CMS	*MPC74HC453BT 5016P -40+85	91680869
Z 170A		SUPPORT DE CIRCUIT INTEGRE	SCC10B-Y1-A-B	99116590
Z 200 210 800		CIRCUIT INTEGRE CMS	74HC04 5014P -40+85	99137355
Z 930		CIRCUIT INTEGRE CMS	74HC08 5014P -40+85	99137356
Z 250 270 340 580 790 880 1020		CIRCUIT INTEGRE CMS	*M74HC4053 5016P -40+85	99137357
Z 660		CIRCUIT INTEGRE CMS	74HC02 5014P -40+85	99137358
Z 330		CIRCUIT INTEGRE CMS	74HC123 5016P -40+85	99138868
Z 160 540 680		CIRCUIT INTEGRE CMS	74HC74 5014P -40+85	99142001
Z 520 550		CIRCUIT INTEGRE CMS	74HC00 5014P -40+85	99142253
Z 650		CIRCUIT INTEGRE CMS	*M74HC4017 5016P -40+85	99142989
Z 150		CIRCUIT INTEGRE CMS	74HC04 5014P -40+85	99143772
Z 100 240 320 700 710 730		CIRCUIT INTEGRE CMS	062 SOBP 0+70 (TL062)	99175378
Z 950		CIRCUIT INTEGRE CMS	LM6361 SOBP	T1000260
Z 220 230		CIRCUIT INTEGRE CMS	ADB47JR SOBP 0+70	T1000607
Z 910		CIRCUIT INTEGRE CMS	LT1229CS8 SOBP 0+70	T1001991
Z 170		MEMOIRE PROM	XC1765-PB0C DBP 0+70	T1002597
Z 780 810 820 830 850 920 940 960		CIRCUIT INTEGRE CMS	CLC405AJE SO8 -40 +85	T1005343
Z 190		RESEAU LOGIQUE PROGRAM. CMS	*M4EPM7032LC44-10 PLCC44 0+70	T1005488
Z 500		CIRCUIT INTEGRE CMS	CS49B2-CRA SOBP 0 +70	T1005547
Z 1060		MICROPROCESSEUR CMS	68HC68P1 5016P -40+85 8BIT	T9000419
Z 90		CIRCUIT INTEGRE CMS	74HC4046 5016P -40+85	T9000577
Z 600		RESPAL DE TRANSISTORS CMS	3086 5014P -40+85	T9000628
Z 120		CIRCUIT INTEGRE CMS	74HC4052 5016P -40+85	T9000721
Z 1050		CIRCUIT INTEGRE CMS	*Q*BA008 R-2R 60US BF16P -20+8	T9000728
Z 1070		CIRCUIT INTEGRE CMS	74HC4316 5016P -40+85	T9000911
Z 190A		SUPPORT DE CIRCUIT INTEGRE CMS	PLCC44-BP-OP-S ENCOCHE	T9001122
Z 860 980		CIRCUIT INTEGRE CMS	1496 5014P 0+70	T9001554
Z 180			XC4003E-4-PQ100C QF100P 0+70	T9003863

REF.	REFERENCE NUMBER	DESCRIPTION	VALUE	PART NO
13			LANGUETTE	39964910
30			BLINDAGE CARTE 2 CONNECTEURS	46152416AA
10			FACE AVANT DIGITAL AUDIO	46152718AA
12			520201-80	91280717
35			PF11710 LARG.70 ADHESIF	91536712
11			C MZX5 U 220ND17-12 PASSIVE	99071508
CAPACITOR				
C	104 105 107 108	CONDENSATEUR CHIPS	CTC3B 2.2MF 20% 20V DOC.	96103241
C	100 102 129 229 523 531 532	CONDENSATEUR CHIPS	CTC3A 1MF 20% 16V	99142711
C	524	CONDENSATEUR CHIPS	***CTC3D 10UF 20% 35V -55+85	T1005380
C	106 109 321 322	CONDENSATEUR CHIPS	CC0805B-2C1 2.2 NF 10% 100V	T9000442
C	413	CONDENSATEUR CHIPS	CC0603-1CG-J 10 PF 5% 63V	T9000869
C	521 522	CONDENSATEUR CHIPS	CC0603-1CG-J 100 PF 5% 63V	T9000870
C	122 126 128 300 301 302 303 304 305 306 307 310	CONDENSATEUR CHIPS	CC0805B-X7K 0.1MF 10% 25V	T9000957
	320 400 412 415 418 420 421 422 423 424 425 440			
	451 452 454 500 510 511 512 513 514 515 516 517			
	525 530			
C	414	CONDENSATEUR CHIPS	CC0603-1CG-J 47 PF 5% 63V	T9000964
C	453 455	CONDENSATEUR CHIPS	CC0603-1CG-J 1.5PF+-0.25PF 63V	T9000973
C	101 103	CONDENSATEUR CHIPS	CC0603-2C1 10NF 10% 63V	T9001016
C	123 501	CONDENSATEUR CHIPS	CTC3B 4.7MF 20% 16V	T9001370
C	402 405 410 450 526	CONDENSATEUR CHIPS	CTC3D 68UF 20% 16V	T9003349
C	120 121 124 125	CONDENSATEUR CHIPS	CC0603-2C1 470 PF 10% 63V	T9003491
DIODE				
CR	500	DIODE CMS	BAS16 SOT23 [A6]	99110304
LED				
CRL410		DIODE ELECTROLUMINESCENTE CMS	L5S260-20 SOT23 ROUGE	306024
CONNECTOR (FIXED)				
J	1	CONNECTEUR COAXIAL	EMBASE COAXIALE COUDEE MCX	T9003329
INDUCTOR				
L	410 450	INDUCTANCE CMS	L008CS-272XKB 2.7UH 10%	T1005624
L	404 407 408	INDUCTANCE CMS	LC220 22 UH 10% (OR09)	T9001335
CONNECTOR (MOBILE)				
P	105	CONNECTEUR CMS	S4C-B-50-M-AB-CL-107	T1002997
RESISTOR				
R	420 421 432 433	RESISTANCE CHIPSE	RRO603 1 KOHM 5% 1/16W K250	T9000696
R	431 531	RESISTANCE CHIPSE	RRO603 10 KOHMS 5% 1/16W K250	T9000697
R	300	RESISTANCE CHIPSE	RRO603 100 KOHMS 5% 1/16W K250	T9000698
R	436 501 510 530	RESISTANCE CHIPSE	RRO603 0 OHM 1/16W K250	T9000877
R	105	RESISTANCE CHIPSE	RRO603 2.2 KOHMS 5% 1/16W K250	T9000986
R	104 435	RESISTANCE CHIPSE	RRO603 2.7 KOHMS 5% 1/16W K250	T9000988
R	424	RESISTANCE CHIPSE	RRO603 3.9 KOHMS 5% 1/16W K250	T9000992
R	532	RESISTANCE CHIPSE	RRO603 4.7 KOHMS 5% 1/16W K250	T9000994
R	520	RESISTANCE CHIPSE	RRO603 7.5 KOHMS 5% 1/16W K250	T9000999
R	438	RESISTANCE CHIPSE	RRO603 8.2 KOHMS 5% 1/16W K250	T9001000
R	533	RESISTANCE CHIPSE	RRC603 820 OHMS 5% 1/16W K250	T9001052
R	321	RESISTANCE CHIPSE	RRC603 15 KOHMS 5% 1/16W K250	T9001057
R	320	RESISTANCE CHIPSE	RRC603 24 KOHMS 5% 1/16W K250	T9001062
R	503	RESISTANCE CHIPSE	RRC603 36 KOHMS 5% 1/16W K250	T9001066
R	423	RESISTANCE CHIPSE	RRO603 330 KOHMS 5% 1/16W K250	T9001088
R	454	RESISTANCE CHIPSE	RRO603 1 MEGOHM 5% 1/16W K250	T9001100
R	522	RESISTANCE CHIPSE	RC2211 75 OHMS 0.5% 1/5W K50	T9001105
R	101 103	RESISTANCE CHIPSE	RC2211 3.32 KOHM 0.5% 1/5W K50	T9001115
R	452 453	RESISTANCE CHIPSE	RC2211 620 OHMS 0.5% 1/5W K50	T9001129
R	100 102	RESISTANCE CHIPSE	RC2211 68 OHMS 0.5% 1/5W K50	T9001130
R	410 411 412 413 414 415 416 417 418 419 422 427	RESISTANCE CHIPSE	RC2211 470 OHMS 0.5% 1/5W K50	T9001133
	428	RESISTANCE CHIPSE	RC2211 100 OHMS 0.5% 1/5W K50	T9001137
R	523	RESISTANCE CHIPSE	RC2211 270 OHMS 0.5% 1/5W K50	T9001144
R	450 451	RESISTANCE CHIPSE	RC2211 150 OHMS 0.5% 1/5W K50	T9001147
R	502 504	RESISTANCE CHIPSE	RC2211 39 OHMS 1% 1/5W K50	T9001156
R	310 524	RESISTANCE CHIPSE	RC2211 10 OHMS 1% 1/5W K50	T9001158
R	425 426 429 430	RESISTANCE CHIPSE	RC2211 392 OHMS 0.5% 1/5W K50	T9001392
TEST POINT				
TP	1 2 300 301 302 303 310 311 320 321 324 410 411	PILOT CMS	RCT00000C	T1002596
	500 510 511 520 521 522 523 530			
INTEGRATED CIRCUIT				
Z	320 530	CIRCUIT INTEGRE CMS	74HC221 S016P -40+85	365123
Z	300	CIRCUIT INTEGRE PROGRAMME	Z 300	47017002
Z	510	CIRCUIT INTEGRE PROGRAMME	Z 510	47017003
Z	500	CIRCUIT INTEGRE CMS	74HC86 S014P -40+85	99142998
Z	520	CIRCUIT INTEGRE CMS	**M74HC4046A S016P -40+125	T1001672
Z	410	CIRCUIT INTEGRE CMS	GS9002 PLCC44 0+70	T1002571
Z	450	CIRCUIT INTEGRE CMS	GS9009-CRA S08P 0+70	T1002682
Z	300 510	RESPAU LOGIQUE PROGRAMMABLE	**M74V0961C68-15 PLCC68 0+70	T1002822
Z	100	CIRCUIT INTEGRE CMS	AD1877JS S028P	T1007030
Z	300A 510A	SUPPORT DE CIRCUIT INTEGRE CMS	SSPIC68-BP-0P-S	T9001124
Z	310	MEMOIRE EPROM CMS	*02KXB 28NS 90MA DF28P 0+70	T9001249
Z	440	CIRCUIT INTEGRE CMS	74F821 S024P 0+70	T9001292
Z	400	CIRCUIT INTEGRE CMS	74F827 S024P 0+70	T9001350

REF.	REFERENCE NUMBER	DESCRIPTION	VALUE	PART NO
13		FACE AVANT	LANGUETTE	39964910
10			FILTER/DEMOD	46152719AA
40			ISOLANT	46152723AA
31			BLINDAGE FILTRE	46152746AA
32			BLINDAGE AMPLI. 4:2:2	46153127AA
12		RODILLE	520201-80	91280717
50		FIL RE CABLAGE	WF 108 GAINE BLANCHE	91308918
51		TRESSIE	TP88(CU. ETAME)	91319703
35		REBAN	PP11710 LARG. 70 ADHESIF	91536712
11		VIS	C M2X5 U Z2CN17-12 PASSIVE	99071508
CAPACITOR				
C 101		CONDENSATEUR CHIPS	CC0805B-1CG 33 PF 5% 100V	251330
C 204		CONDENSATEUR CHIPS	CTC3A 0.47MF 20% 25V DOC.	96103224
C 304		CONDENSATEUR CHIPS	CTC3B 2.2NF 20% 20V DOC.	96103241
C 300		CONDENSATEUR CHIPS	***CTC3D 10UF 20% 35V -55+85	T1005380
C 302 303		CONDENSATEUR CHIPS	CC0805 2.2UF -20+80% 16V (Y5V)	T1005744
C 142 186		CONDENSATEUR CHIPS	C2012Y5V1C474ZT 470 NF +80-20%	T1005760
C 20 42		CONDENSATEUR CHIPS	C2012Y5V1C105ZT 1 MF +80-20%	T1005761
C 41 67 130 131 144 145		CONDENSATEUR CHIPS	CTC3D 47NF 20% 16V	T1006086
C 184		CONDENSATEUR CHIPS	CC0805B-X7R 22 NF 10% 63V	T9000439
C 183 212		CONDENSATEUR CHIPS	CC0805B-2C1 2.2 NF 10% 100V	T9000442
C 161 260		CONDENSATEUR CHIPS	CC0805B-1CG 510 PF +-5% 100V	T9000743
C 50		CONDENSATEUR CHIPS	CC0603-1CG-J 10 PF 5% 63V	T9000869
C 64 182		CONDENSATEUR CHIPS	CC0603-1CG-J 100 PF 5% 63V	T9000870
C 2 4 6 8 40 61 63 70 84 86 102 110 112 140 141 143		CONDENSATEUR CHIPS	CC0605B-X7R 0.1MF 10% 25V	T9000957
164 166 181 200 201 202 213 214 301				
C 306		CONDENSATEUR CHIPS	CC0603-1CG-J 22 PF 5% 63V	T9000961
C 175		CONDENSATEUR CHIPS	CC0603-1CG-J 33 PF 5% 63V	T9000962
C 134		CONDENSATEUR CHIPS	CC0603-1CG-J 56 PF 5% 63V	T9000965
C 163		CONDENSATEUR CHIPS	CC0603-1CG-J 4.7PF+-0.25PF 63V	T9000976
C 51 52 120 160 162 180 217		CONDENSATEUR CHIPS	CC0603-2C1 1NF 10% 63V	T9001015
C 185 203 210 211 215 216		CONDENSATEUR CHIPS	CC0603-2C1 10NF 10% 63V	T9001016
C 132		CONDENSATEUR CHIPS	CTC3B 4.7NF 20% 16V	T9001370
C 82 83 88 89		CONDENSATEUR CHIPS	CC0603-2C1 560 PF 10% 63V	T9001565
C 305		CONDENSATEUR CHIPS	CC0603-1CG-C 180 PF 2% 63V	T9001588
C 80		CONDENSATEUR CHIPS	CC0805B-2C1 47NF 10% 50/63V	T9001702
C 85 87 111 113		CONDENSATEUR CHIPS	CTC3A 4.7MF 20% 6.3V	T9003282
C 1 3 5 7 60 62 187		CONDENSATEUR CHIPS	CTC3E 68UF 20% 16V	T9003349
C 135		CONDENSATEUR VARIABLE CMS	ECR-JA050M (8.5/50PF 100V)	T9004246
C 43 44		CONDENSATEUR CHIPS	CC0603-1CG 5.1PF+-0.25PF 50V	T9004625
DIODE				
CR 140 141 162 180 201		DIODE CMS	BAS16 SOT23 [A6]	99110304
CR 40 41 160 161		DIODE CMS	BAV99 SOT23	99116852
CR 200		DIODE CMS	BAV70 SOT23 [A4] [JJ]	99123890
CR 163		DIODE CMS	BAR18 SOT23 [D76]	99123948
FL 40		FILTRE	CUV804 SPECIF ECF-3050-A	T1007044
FL 120 180		FILTRE	SFT6.0MA	T9003270
CONNECTOR (FIXED)				
J 30 32 33		CONNECTEUR COAXIAL	ENRASE COAXIALE COUDEE MCX	T9003329
INDUCTOR				
L 41 42		INDUCTANCE CMS	1008CS-220XKB 22NH 10%	T1005458
L 40		INDUCTANCE CMS	1008CS-221XKB 220NH 10%	T1005617
L 60 61		INDUCTANCE CMS	LC2220 22 UH 10% (DR09)	T9001335
L 1 2 3 4		INDUCTANCE CMS	LC2220 100UH 10% (DR09)	T9003351
L 130		INDUCTANCE CMS	1008LS-R22-XKBC 8.2UH +-10%	T9004241
CONNECTOR (MOBILE)				
P 107		CONNECTEUR CMS	SNC-B-50-M-AB-CL-107	T1002997
TRANSISTOR				
Q 20 40		TRANSISTOR CMS	BFR92A NPN SOT23 [P2]	91557752
Q 120		TRANSISTOR CMS	S93904 NPN SOT23	99110321
Q 100		TRANSISTOR CMS	S93906 PNP SOT23	99110322
Q 50		TRANSISTOR CMS	BFS17A NPN SOT23	T9004249
RESISTOR				
R 143		POTENTIOMETRE CMS	ST-3A 10 KOHMS 20%	T1001973
R 114		POTENTIOMETRE CMS	ST-3A 20 KOHMS 20%	T1002026
R 112		POTENTIOMETRE CMS	ST-3A 5 KOHMS 20%	T1002027
R 144 146		RESISTANCE CHIPSE	RC3715 150 KOHMS 1% 1/4W K50	T9000278
R 212		RESISTANCE CHIPSE	RC3715 910 KOHMS 1% 1/4W K50	T9000296
R 203		RESISTANCE CHIPSE	RC3715 1.5 MOHM 1% 1/4W K50	T9000299
R 214		RESISTANCE CHIPSE	RC3715 1.8 MOHM 1% 1/4W K50	T9000300
R 210		RESISTANCE CHIPSE	RC3715 2.2 MOHMS 1% 1/4W K50	T9000301
R 80 111 121		RESISTANCE CHIPSE	RR0603 1 KOHM 5% 1/16W K250	T9000696
R 91 169 170 172 185 208 209		RESISTANCE CHIPSE	RR0603 10 KOHMS 5% 1/16W K250	T9000697
R 70 76 78 175 204		RESISTANCE CHIPSE	RR0603 100 KOHMS 5% 1/16W K250	T9000698
R 103 142		RESISTANCE CHIPSE	RC2211 1 KOHM 0.5% 1/5W K50	T9000924
R 132		RESISTANCE CHIPSE	RR0603 10 OHMS 5% 1/16W K250	T9000933
R 186		RESISTANCE CHIPSE	RR0603 1.5 KOHM 5% 1/16W K250	T9000982
R 116		RESISTANCE CHIPSE	RR0603 2 KOHMS 5% 1/16W K250	T9000985
R 148 165 171 188		RESISTANCE CHIPSE	RR0603 2.2 KOHMS 5% 1/16W K250	T9000986
R 115		RESISTANCE CHIPSE	RR0603 2.7 KOHMS 5% 1/16W K250	T9000988
R 94		RESISTANCE CHIPSE	RR0603 3 KOHMS 5% 1/16W K250	T9000989
R 87 110		RESISTANCE CHIPSE	RR0603 3.3 KOHMS 5% 1/16W K250	T9000990
R 113		RESISTANCE CHIPSE	RR0603 4.3 KOHMS 5% 1/16W K250	T9000993
R 147 161 207		RESISTANCE CHIPSE	RR0603 4.7 KOHMS 5% 1/16W K250	T9000994
R 167		RESISTANCE CHIPSE	RR0603 6.2 KOHMS 5% 1/16W K250	T9000997
R 166 284		RESISTANCE CHIPSE	RR0603 8.2 KOHMS 5% 1/16W K250	T9001000
R 122 130 160 180		RESISTANCE CHIPSE	RR0603 470 OHMS 5% 1/16W K250	T9001046
R 162		RESISTANCE CHIPSE	RR0603 510 OHMS 5% 1/16W K250	T9001047
R 84		RESISTANCE CHIPSE	RR0603 20 KOHMS 5% 1/16W K250	T9001060
R 163 202 205		RESISTANCE CHIPSE	RR0603 22 KOHMS 5% 1/16W K250	T9001061
R 88 95		RESISTANCE CHIPSE	RR0603 27 KOHMS 5% 1/16W K250	T9001063
R 206		RESISTANCE CHIPSE	RR0603 33 KOHMS 5% 1/16W K250	T9001065
R 89		RESISTANCE CHIPSE	RR0603 36 KOHMS 5% 1/16W K250	T9001066
R 168		RESISTANCE CHIPSE	RR0603 39 KOHMS 5% 1/16W K250	T9001067
R 85 164 200 201		RESISTANCE CHIPSE	RR0603 47 KOHMS 5% 1/16W K250	T9001069
R 83		RESISTANCE CHIPSE	RR0603 390 KOHMS 5% 1/16W K250	T9001090
R 140		RESISTANCE CHIPSE	RR0603 3.3 MEGOHM 5% 1/16W	T9001103
R 117 118		RESISTANCE CHIPSE	RC2211 75 OHMS 0.5% 1/5W K50	T9001105
R 133 184		RESISTANCE CHIPSE	RC2211 470 OHMS 0.5% 1/5W K50	T9001133
R 54		RESISTANCE CHIPSE	RC2211 100 OHMS 0.5% 1/5W K50	T9001137
R 183		RESISTANCE CHIPSE	RC2211 130 OHMS 0.5% 1/5W K50	T9001143
R 23 24		RESISTANCE CHIPSE	RC2211 330 OHMS 0.5% 1/5W K50	T9001151
R 55		RESISTANCE CHIPSE	RC2211 680 OHMS 0.5% 1/5W K50	T9001152
R 104 187		RESISTANCE CHIPSE	RC2211 10 OHMS 1% 1/5W K50	T9001158
R 56		RESISTANCE CHIPSE	RC2211 33 OHMS 1% 1/5W K50	T9001161
R 50 71 72 105 302		RESISTANCE CHIPSE	RC2211 0 OHM	T9001164
R 20 22		RESISTANCE CHIPSE	RC2211 11 OHMS 1% 1/5W K50	T9001171
R 25 120		RESISTANCE CHIPSE	RC2211 182 OHMS 0.5% 1/5W K50	T9001197
R 181		RESISTANCE CHIPSE	RC2211 13.3 KOHM 0.5% 1/5W K50	T9001200

4A150407AA

SCHEMA SD67

REF.	REFERENCE NUMBER	DESCRIPTION	VALUE	PART NO
R 82		RESISTANCE CHIPSE	RC2211 17,4 KOHM 0,5% 1/5W K50	T9001202
R 52 53		RESISTANCE CHIPSE	RC2211 5,1 KOHMS 0,5% 1/5W K50	T9001224
R 92		RESISTANCE CHIPSE	RC2211 12,1 KOHM 0,5% 1/5W K50	T9001299
R 213		RESISTANCE CHIPSE	RC2211 100 KOHMS 0,5% 1/5W K50	T9001304
R 101 102		RESISTANCE CHIPSE	RC2211 6,81 KOHM 0,5% 1/5W K50	T9001344
R 141		RESISTANCE CHIPSE	RC2211 91,1 KOHM 0,5% 1/5W K50	T9001356
R 93		RESISTANCE CHIPSE	RC2211 96,7 KOHM 0,5% 1/5W K50	T9001357
R 41		RESISTANCE CHIPSE	RC2211 22 OHMS 1% 1/5W K50	T9001373
R 149		RESISTANCE CHIPSE	RC2211 221 OHMS 0,5% 1/5W K50	T9001386
R 21 40		RESISTANCE CHIPSE	RC2211 243 OHMS 0,5% 1/5W K50	T9001387
R 131		RESISTANCE CHIPSE	RC2211 619 OHMS 0,5% 1/5W K50	T9001396
R 86		RESISTANCE CHIPSE	RC2211 16,2 KOHM 0,5% 1/5W K50	T9001406
R 145		RESISTANCE CHIPSE	RC2211 20 KOHMS 0,5% 1/5W K50	T9001407
R 90		RESISTANCE CHIPSE	RC2211 30,1 KOHM 0,5% 1/5W K50	T9001410
R 81		RESISTANCE CHIPSE	RC2211 33,2 KOHM 0,5% 1/5W K50	T9001411
R 211		RESISTANCE CHIPSE	RC2211 68,1 KOHM 0,5% 1/5W K50	T9001417
R 182		RESISTANCE CHIPSE	RC2211 19,6 KOHM 0,5% 1/5W K50	T9001492
TEST POINT				
TP 1 2 3 4 5 6 7 8 9 10 11 20 21		FLOT CNS	RC700000C	T1002596
INTEGRATED CIRCUIT				
Z 160 200		CIRCUIT INTEGRE CMS	393 SO8P 0+70 (LM393)	99126288
Z 180		CIRCUIT INTEGRE CMS	*M*74HC4046A SO16P -40+125	T1001672
Z 130		CIRCUIT INTEGRE CMS	LT1228CS8 SO8P 0+70	T1002614
Z 210		CIRCUIT INTEGRE CMS	LMC6482A1M SO8P -40+85	T1002656
Z 110		CIRCUIT INTEGRE CMS	CLC405AJE SO8 -40 +85	T1005343
Z 70		MICROPROCESSEUR CMS	68HC68P1 SO16P -40+85 8BIT	T9000419
Z 80 140		CIRCUIT INTEGRE CMS	Q82 SO8P -40+85	T9000867
Z 300		CIRCUIT INTEGRE CMS	NE571B 0+70 SO16P	T9003200
Z 60		MICROMODULE	F1 1216MK2 /IUM IEC TUNER	T9004245

< last page >

4A150408AA

SCHEMA SD68

REF.	REFERENCE NUMBER	DESCRIPTION	VALUE	PART NO
13			LANGUETTE	39964910
10		FACE AVANT	PROMPTER	46152717AA
40			ISOLANT	46152723AA
12		RONDELLE	520201-80	91280717
35		RUBAN	PP11710 LARG.70 ADHESIF	91536712
11		VIS	C M2X5 U 22CND17-12 PASSIVE	99071508
51		CABLE COAXIAL	ET 96911 75 OHMS DIA.2MM	T1002361
CAPACITOR				
C	4 6 8 61 63 70 110 112	CONDENSATEUR CHIPS	CC0805B-X7R 0.1MF 10% 25V	T9000957
C	111 113	CONDENSATEUR CHIPS	CTC3A 4.7NF 20% 6.3V	T9003282
C	3 5 7 60 62	CONDENSATEUR CHIPS	CTC3D 68UF 20% 16V	T9003349
CONNECTOR (FIXED)				
J	30	CONNECTEUR COAXIAL	EMBASE COAXIALE COUDEE MCX	T9003329
INDUCTOR				
L	60 61	INDUCTANCE CMS	LC2220 22 UH 10% (OR09)	T9001335
L	2 3 4	INDUCTANCE CMS	LC2220 100UH 10% (OR09)	T9003351
CONNECTOR (MOBILE)				
P	106	CONNECTEUR CMS	SNC-B-50-N-AB-CL-107	T1002997
RESISTOR				
R	114	POTENTIOMETRE CMS	ST-3A 20 KOHMS 20%	T1002026
R	112	POTENTIOMETRE CMS	ST-3A 5 KOHMS 20%	T1002027
R	111	RESISTANCE CHIPSE	RR0603 1 KOHM 5% 1/16W K250	T9000696
R	70 76 78	RESISTANCE CHIPSE	RR0603 100 KOHMS 5% 1/16W K250	T9000698
R	116	RESISTANCE CHIPSE	RR0603 2 KOHMS 5% 1/16W K250	T9000985
R	115	RESISTANCE CHIPSE	RR0603 2.7 KOHMS 5% 1/16W K250	T9000986
R	110	RESISTANCE CHIPSE	RR0603 3.3 KOHMS 5% 1/16W K250	T9000990
R	113	RESISTANCE CHIPSE	RR0603 4.3 KOHMS 5% 1/16W K250	T9000993
R	117 118	RESISTANCE CHIPSE	RC2211 75 OHMS 0.5% 1/5W K50	T9001105
R	71 72	RESISTANCE CHIPSE	RC2211 0 OHM	T9001164
TEST POINT				
TP	1 2 21	PLOT CMS	RC700000C	T1002596
INTEGRATED CIRCUIT				
Z	110	CIRCUIT INTEGRE CMS	CLC405AJE SCH -40 +85	T1005343
Z	70	MICROPROCESSEUR CMS	GRIC68P1 S013P -40+85 8BIT	T9000419
Z	60	MICROMODULE	EI 1216NR2 71HM IEC TUNER	T9004245

< last page >

REF.	REFERENCE NUMBER	DESCRIPTION	VALUE	PART NO
CAPACITOR				
C	32 60 61 170 190 191	CONDENSATEUR CHIPS	CTC3A 1NF 20% 16V	99142711
C	2 3 40 177	CONDENSATEUR CHIPS	CTC3D 47NF 20% 16V	T1006086
C	110 111 113 122 127	CONDENSATEUR CHIPS	CAC66 10 NF 20% 50V -40+105	T9000691
C	86 96	CONDENSATEUR CHIPS	CAC66 100 NF 20% 6.3V -40+105	T9000694
C	120 129	CONDENSATEUR CHIPS	CC0603-1CG-J 100 PF 5% 63V	T9000870
C	39 50 51 63 80 82 83 90 92 93 124 125 142 143 176 193	CONDENSATEUR CHIPS	CC0805B-X7R 0.1MF 10% 25V	T9000957
C	140 141 174	CONDENSATEUR CHIPS	CC0603-1CG-J 15 PF 5% 63V	T9000959
C	123 126	CONDENSATEUR CHIPS	CC0603-1CG-J 22 PF 5% 63V	T9000961
C	52 81 91 144	CONDENSATEUR CHIPS	CC0603-1CG-J 33 PF 5% 63V	T9000962
C	70 200	CONDENSATEUR CHIPS	CC0603-1CG-J 56 PF 5% 63V	T9000965
C	36	CONDENSATEUR CHIPS	CC0603-1CG-J 68 PF 5% 63V	T9000966
C	31 35 173	CONDENSATEUR CHIPS	CC0603-1CG-J 180 PF 5% 63V	T9000970
C	150 160	CONDENSATEUR CHIPS	CTC3B 6.8MF 20% 10V	T9001366
C	30 34 172	CONDENSATEUR CHIPS	CTC3B 4.7MF 20% 16V	T9001370
C	1 20 21 33 37 62 171 192	CONDENSATEUR CHIPS	CTC3D 22NF 20% 16V	T9001718
C	38 53 95 145 151 161 175	CONDENSATEUR CHIPS	CTC3C 100F 20% 16V POLARISE	T9003419
C	121 128	CONDENSATEUR CHIPS	CC0603-2C1 470 PF 10% 63V	T9003491
DIODE				
CR	23	DIODE CMS	BA516 SOT23 [A6]	99110304
CR	120 121	DIODE CMS	BAV99 SOT23	99116852
CONNECTOR (FIXED)				
J	10 11 205	CONNECTEUR	LX-6P-DLT1-P1	T1001245
J	702	CONNECTEUR CMS	52103-1B17 (EFC-18S)	T1002545
INDUCTOR				
L	120 121	INDUCTANCE CMS	LC1B12 1.8 MICROHENRY 10%	T9001178
TRANSISTOR				
Q	150	TRANSISTOR CMS	S03904 NPN SOT23	99110321
Q	70 160 200	TRANSISTOR CMS	S03906 PNP SOT23	99110322
Q	20 110	TRANSISTOR CMS	BC47C NPN SOT23 [1G]	99181285
RESISTOR				
R	131	POTENTIOMETRE	P13Y LO1 A 22 KHOMS +-20%	91383770
R	90	POTENTIOMETRE	P11TW-M 4.7 KHOMS +-20% LO1 A	91597018
R	23 39 89 98 133 134 175	RESISTANCE CHIPSE	RR0603 1 KOHM 5% 1/16W K250	T9000696
R	52 55 56 70 71 94 147 150 160 194 195 200	RESISTANCE CHIPSE	RR0603 10 KOHMS 5% 1/16W K250	T9000697
R	33 142 144	RESISTANCE CHIPSE	RR0603 100 KOHMS 5% 1/16W K250	T9000698
R	1 2 3 32 40 97 113 143 176	RESISTANCE CHIPSE	RR0603 0 OHM 1/16W K250	T9000877
R	110	RESISTANCE CHIPSE	RR0603 33 OHMS 5% 1/16W K250	T9000945
R	138 139	RESISTANCE CHIPSE	RR0603 39 OHMS 5% 1/16W K250	T9000947
R	53 91 148	RESISTANCE CHIPSE	RR0603 47 OHMS 5% 1/16W K250	T9000949
R	130	RESISTANCE CHIPSE	RR0603 1.8 KOHM 5% 1/16W K250	T9000984
R	30	RESISTANCE CHIPSE	RR0603 3.3 KOHMS 5% 1/16W K250	T9000990
R	22	RESISTANCE CHIPSE	RR0603 4.7 KOHMS 5% 1/16W K250	T9000994
R	140 141	RESISTANCE CHIPSE	RR0603 6.8 KOHMS 5% 1/16W K250	T9000998
R	35 171	RESISTANCE CHIPSE	RR0603 100 OHMS 5% 1/16W K250	T9001030
R	54	RESISTANCE CHIPSE	RR0603 220 OHMS 5% 1/16W K250	T9001038
R	21 149	RESISTANCE CHIPSE	RR0603 470 OHMS 5% 1/16W K250	T9001046
R	129 132	RESISTANCE CHIPSE	RR0603 12 KOHMS 5% 1/16W K250	T9001055
R	50 61 63 145 191 192	RESISTANCE CHIPSE	RR0603 13 KOHMS 5% 1/16W K250	T9001056
R	31	RESISTANCE CHIPSE	RR0603 20 KOHMS 5% 1/16W K250	T9001060
R	80 92	RESISTANCE CHIPSE	RR0603 22 KOHMS 5% 1/16W K250	T9001061
R	36	RESISTANCE CHIPSE	RR0603 24 KOHMS 5% 1/16W K250	T9001062
R	172	RESISTANCE CHIPSE	RR0603 30 KOHMS 5% 1/16W K250	T9001064
R	93	RESISTANCE CHIPSE	RR0603 33 KOHMS 5% 1/16W K250	T9001065
R	51 60 64 111 146 190 193	RESISTANCE CHIPSE	RR0603 39 KOHMS 5% 1/16W K250	T9001067
R	20 41 42 62 173 177 178	RESISTANCE CHIPSE	RR0603 47 KOHMS 5% 1/16W K250	T9001069
R	37	RESISTANCE CHIPSE	RR0603 150 KOHMS 5% 1/16W K250	T9001080
R	38	RESISTANCE CHIPSE	RR0603 180 KOHMS 5% 1/16W K250	T9001082
R	83 95	RESISTANCE CHIPSE	RR0603 220 KOHMS 5% 1/16W K250	T9001084
R	174	RESISTANCE CHIPSE	RR0603 300 KOHMS 5% 1/16W K250	T9001087
R	34 170	RESISTANCE CHIPSE	RR0603 2.2 MEGHOM 5% 1/16W	T9001102
R	124	RESISTANCE CHIPSE	RC2211 10 KOHMS 0.5% 1/5W K50	T9001135
R	123 125	RESISTANCE CHIPSE	RC2211 475 OHMS 0.5% 1/5W K50	T9001217
R	120 121	RESISTANCE CHIPSE	RC2211 6.81 KOHM 0.5% 1/5W K50	T9001344
R	84 96	RESISTANCE CHIPSE	RC2211 22 OHMS 1% 1/5W K50	T9001373
R	122 126	RESISTANCE CHIPSE	RC2211 33.2 KOHM 0.5% 1/5W K50	T9001411
R	127 128	RESISTANCE CHIPSE	RC2211 47.5 KOHM 0.5% 1/5W K50	T9001415
SWITCH				
S	130	COMMUTATEUR A LEVIER	DP-1201-M2-S3-V3-B-E	91691579
S	110 120	COMMUTATEUR A LEVIER	SP-1101 M2-S3-V3-B-E-2	T1005902
S	20	COMMUTATEUR A LEVIER	[NV LEV UNIP PT/PR/PM DROIT+ET	T9003626
INTEGRATED CIRCUIT				
Z	60 190	CIRCUIT INTEGRE CMS	353 SOBP 0+70 (LM393)	99126288
Z	50 120 140	CIRCUIT INTEGRE CMS	LM8338 SOBP -40+85	T1000762
Z	80 90	CIRCUIT INTEGRE CMS	NE5534D SOUP 0+70	T9001526
Z	30 170	CIRCUIT INTEGRE CMS	NE571D 0+70 SOL16P	T9003200

4A150410AA

SCHEMA SD70

REF.	REFERENCE NUMBER	DESCRIPTION	VALUE	PART NO
CAPACITOR				
C	10 11 12	CONDENSATEUR FIXE	VP44 1MF 20% 63V	T9001918
DIODE				
CR	10	DIODE	1N4002	99118028
CONNECTOR (FIXED)				
J	10	CONNECTEUR COAXIAL	EMBASE COAXIALE DROITE MCX	T9003326
J	601	CONNECTEUR	E&C2T07+P2-FFC#-M1,25E2-###	T9003584
INDUCTOR				
L	11 13	INDUCTANCE	PCV2023-101K 10%	T9003466
L	10 12	INDUCTANCE	WBC3R-3B1 (4312 020 3676)	T9003503
RESISTOR				
R	10	RESISTANCE	RC9 12 KOHMS 5% 1/4W K250	99138986

< last page >

4A150412AA

SCHEMA SD71

REF.	REFERENCE NUMBER	DESCRIPTION	VALUE	PART NO
81		ENTRETOISE TARAUDÉE	EXNET12 LG.14	29293270
80		FACE ARRIERE	REAR CONTROL	46152777AA
82			ETANCHEITE REAR CONTROL	46152881AA
10		RUBAN	PF11710 LARG.70 ADHESIF	91536712
83		RONDELLE	520301-80	99051638
84		VIS	C M3X6/6 U INOX.A4 PASS.	99060923
89		CAPUCHON	465B02000 (NOIR)	T1002197
CAPACITOR				
C	10	CONDENSATEUR CHIPS	CC0805B-X7R 0.1MF 10% 25V	T9000957
LED				
CRL1		DIODE ELECTROLUMINESCENTE	HLMP-350V VERT (D.5MM)	91361406
CRL1A		SUPPORT DE LED	HA-7530/02	T1002760
CONNECTOR (FIXED)				
J	701	CONNECTEUR CMS	52103-081V (EFC-8S)	T1002088
RESISTOR				
R	10 11 12 13 14 15 16 17	RESISTANCE CHIPSE	RR0603 100 KOHMS 5% 1/16W K250	T9000698
R	20	RESISTANCE CHIPSE	RR0603 600 OHMS 5% 1/16W K250	T9001050
SWITH				
S	5	COMMUTATEUR A POUSSOIR	INV POUS UNIP BR/PN DROIT+ETRI	T9003623
S	2 3	COMMUTATEUR A LEVIER	INV BASC UNI PM/PR/PN DROIT+ET	T9003624
S	1 4	COMMUTATEUR A LEVIER	INV LEV UNIP PT/PT DROIT+ETRI	T9003625
INTEGRATED CIRCUIT				
Z	10	MICROPROCESSEUR CMS	68HC68P1 S016P -40+85 BBIT	T9000419

< last page >

REF.	REFERENCE NUMBER	DESCRIPTION	VALUE	PART NO
	40		CANON ISOLANT	29532164
	60		BRIDE	39964885
	65		ISOLANT CONDUCTEUR THERMIQUE	39965495
	35		CEINTURE ALIM	46152786AC
	20		BLINDAGE ALIM	46152787AC
	5		CAPOT ALIM	46152788AC
	71		520201-80	51280717
	3 15 30 50	RONDILLE	520251-80	51280718
	55	RONDILLE		
	70	ECROU	H M2,5 U INOX A4 PASSIVE	99059911
	2 10 25 45	VIS	C M2X10/10 U INOX.A4 PASS.	99060918
	51	VIS	C M2,5X8/8 U INOX.A4 PASS.	99060920
		RONDILLE	60 11 8302 1674	99112427
CAPACITOR				
C	391 401 497 498 542 543 544 585 589 590	CONDENSATEUR FIXE	2222-128-54229 22MF 20% 10V	T1002445
C	250 280 361 362	CONDENSATEUR CHIPS	CC0805B-2C1 2.2 NF 10% 100V	T9000442
C	210 211	CONDENSATEUR CHIPS	CC0805B-1CG 510 PF +-5% 100V	T9000743
C	490	CONDENSATEUR CHIPS	CC0603-1CG-J 220 PF 5% 63V	T9000871
C	160 164 213 215 230 583	CONDENSATEUR CHIPS	CC0805B-X7R 0.1NF 10% 25V	T9000957
C	494 540 580 586	CONDENSATEUR CHIPS	CC0603-1CG-J 22 PF 5% 63V	T9000961
C	451	CONDENSATEUR CHIPS	CC0603-2C1 1NF 10% 63V	T9001015
C	161 163 166 180 214 301 320 499 582	CONDENSATEUR CHIPS	CC0603-2C1 10NF 10% 63V	T9001016
C	100 410	CONDENSATEUR CHIPS	CC2220-2C1-J 1MF 10% 100V	T9001311
C	260 302 303 370 371 380 381 390 400 460 496 584	CONDENSATEUR FIXE	GR1015 470 MF 20% 16V -55+105	T9001342
	588			
C	162 167 212 491 492 495 541 581 587	CONDENSATEUR CHIPS	CTC3B 4.7NF 20% 16V	T9001370
C	360 450 493	CONDENSATEUR FIXE	GR1215 470 UF 20% 25V -55+105	T9001450
C	420	CONDENSATEUR FIXE	GR812 47MF 20% 63V -55+105 LI	T9003100
C	101 200 300	CONDENSATEUR FIXE	UP11J221NR11 220MF 63V 20%	T9003472
DIODE				
CR	110 151 490 540 580 581 582	DIODE CMS	BA516 SOT23 [AG]	99110304
CR	430	DIODE CMS	BAV70 SOT23 [AA] [JJ]	99123890
CR	152 360 361	DIODE CMS	10MF2	T1002179
CR	221 460	DIODE CMS	PR1L5819 SOD87 (40V 1A)	T1002438
CR	370 390 391 400	DIODE CMS	NBR0660CT (60V 6A)	T1002443
CR	150 300	DIODE CMS	6CW10F (100V 6.6A) CMS	T1005637
CR	350 351 352	DIODE CMS	BYD77C 1.85A 400V 50NS SOD87	T9003632
CR	380	DIODE	DOUBLE DIODE SCHOTT CATHO COMM	T9003678
LED				
CRL1	580	DIODE ELECTROLUMINESCENTE	PCH125BG VERT	91540310
CRL2	3	DIODE ELECTROLUMINESCENTE	PCH125BR ROUGE	91542150
DIODE				
CRZ440		DIODE CMS	BZX84C15 SOT23 [Y4]	99111201
CRZ320		DIODE CMS	BZX84C5V6 SOT23 [Z3]	99123960
CONNECTOR (FIXED)				
J	601	CONNECTEUR	ERD2T07-#P2-FFCH-M1.25E2-###	T9003638
J	602	CONNECTEUR	ERD2T24-#P2-FFCH-M1.25E2-###	T9003639
J	603	CONNECTEUR	ERD2T10-#P1-FFCH-M1##E2-###	T9003640
INDUCTOR				
L	1	INDUCTANCE	SELF MULTIPLE ST	16734074AA
L	120 300	INDUCTANCE	TS11110-101K1R0 100 UH 10%	T9003230
L	302 450 500 530 540 580 590	INDUCTANCE	TS10707-100K1R9 100UH 10%	T9003235
L	410	INDUCTANCE	TS11110-153KR08 15000 UH 10%	T9003236
L	301	INDUCTANCE	PCV2023-101K 10%	T9003466
L	560	INDUCTANCE	TS11110-100M3R2 10 UH 20%	T9003744
TRANSISTOR				
Q	100 110 120	TRANSISTOR CMS	2N7002 SOT23 [702] [72AB]	91685632
Q	190 310 450	TRANSISTOR CMS	S03904 NPN SOT23	99110321
Q	320	TRANSISTOR CMS	S03906 PNP SOT23	99110322
Q	230 260 430	TRANSISTOR CMS	BCX19 NPN SOT23 [U1]	99123949
Q	180 240 270	TRANSISTOR CMS	BCX17 PNP SOT23 [T1]	99123957
Q	590	TRANSISTOR	IRFU024 NFET TO251	T9001355
Q	410 420	TRANSISTOR CMS	BCX56-10 NPN SOT89 (BG)	T9003347
Q	560	TRANSISTOR	*0*SNP40P06 PFET TO220AB	T9003348
Q	250 280	TRANSISTOR	BUK555-200A TO220	T9003484
Q	440 500 510 530 550	TRANSISTOR	RF08P05 FET-P TO251 8A 50V	T9004598
RESISTOR				
R	1	POTENTIOMETRE CMS	ST-4B 500 OHMS 20%	91620902
R	251	RESISTANCE CHIPSE	RHS08AR050J 0.050 OHM 5%	T1002441
R	361 362	RESISTANCE CHIPSE	RC3715 100 OHMS 1% 1/4W K50	T9000206
R	320 410 420	RESISTANCE CHIPSE	RC3715 12 KOHMS 1% 1/4W K50	T9000253
R	363 364	RESISTANCE CHIPSE	RC3715 20 OHMS 1% 1/4W K50	T9000596
R	310 452 588 870	RESISTANCE CHIPSE	RR0603 1 KOHM 5% 1/16W K250	T9000696
R	120 168 183 450	RESISTANCE CHIPSE	RR0603 10 KOHMS 5% 1/16W K250	T9000697
R	100 543	RESISTANCE CHIPSE	RR0603 100 KOHMS 5% 1/16W K250	T9000698
R	494 498 545 546 589 590	RESISTANCE CHIPSE	RR0603 0 OHM 1/16W K250	T9000877
R	171 411 421	RESISTANCE CHIPSE	RR0603 47 OHMS 5% 1/16W K250	T9000949
R	232 250 270 280	RESISTANCE CHIPSE	RR0603 68 OHMS 5% 1/16W K250	T9000953
R	193	RESISTANCE CHIPSE	RR0603 1.5 KOHM 5% 1/16W K250	T9000982
R	194	RESISTANCE CHIPSE	RR0603 1.8 KOHM 5% 1/16W K250	T9000984
R	231 261 451 453 492 510 511 540 550 551 580 585	RESISTANCE CHIPSE	RR0603 2.2 KOHMS 5% 1/16W K250	T9000986
	871			
R	300	RESISTANCE CHIPSE	RR0603 2.7 KOHMS 5% 1/16W K250	T9000988
R	181 495	RESISTANCE CHIPSE	RR0603 3.3 KOHMS 5% 1/16W K250	T9000990
R	180	RESISTANCE CHIPSE	RR0603 3.9 KOHMS 5% 1/16W K250	T9000992
R	165 192	RESISTANCE CHIPSE	RR0603 4.7 KOHMS 5% 1/16W K250	T9000994
R	182 430 431	RESISTANCE CHIPSE	RR0603 100 OHMS 5% 1/16W K250	T9001030
R	230 260 322	RESISTANCE CHIPSE	RR0603 470 OHMS 5% 1/16W K250	T9001046
R	214	RESISTANCE CHIPSE	RR0603 22 KOHMS 5% 1/16W K250	T9001061
R	110 311 312 321	RESISTANCE CHIPSE	RR0603 47 KOHMS 5% 1/16W K250	T9001069
R	164	RESISTANCE CHIPSE	RR0603 56 KOHMS 5% 1/16W K250	T9001071
R	184 213	RESISTANCE CHIPSE	RR0603 220 KOHMS 5% 1/16W K250	T9001084
R	499 500 544	RESISTANCE CHIPSE	RR0603 470 KOHMS 5% 1/16W K250	T9001092
R	541	RESISTANCE CHIPSE	RC2211 3.32 KOHM 0.5% 1/5W K50	T9001115
R	101 111 121 324 581	RESISTANCE CHIPSE	RC2211 2.21 KOHM 0.5% 1/5W K50	T9001117
R	161 163 490 584	RESISTANCE CHIPSE	RC2211 10 KOHMS 0.5% 1/5W K50	T9001135
R	170	RESISTANCE CHIPSE	RC2211 100 OHMS 0.5% 1/5W K50	T9001137
R	166	RESISTANCE CHIPSE	RC2211 17.4 KOHM 0.5% 1/5W K50	T9001202
R	493	RESISTANCE CHIPSE	RC2211 46.4 KOHM 0.5% 1/5W K50	T9001219
R	169	RESISTANCE CHIPSE	RC2211 4.3 KOHMS 0.5% 1/5W K50	T9001235
R	190 191 491 497 542 586 587	RESISTANCE CHIPSE	RC2211 0.11 KOHM 0.5% 1/5W K50	T9001244
R	496	RESISTANCE CHIPSE	RC2211 9.09 KOHM 0.5% 1/5W K50	T9001298
R	215	RESISTANCE CHIPSE	RC2211 12.1 KOHM 0.5% 1/5W K50	T9001299
R	167 365	RESISTANCE CHIPSE	RC2211 22.1 KOHM 0.5% 1/5W K50	T9001301
R	160	RESISTANCE CHIPSE	RC2211 100 KOHMS 0.5% 1/5W K50	T9001304
R	582	RESISTANCE CHIPSE	RC2211 2.74 KOHM 0.5% 1/5W K50	T9001399
R	210	RESISTANCE CHIPSE	RC2211 6.19 KOHM 0.5% 1/5W K50	T9001403
R	323	RESISTANCE CHIPSE	RC2211 11 KOHMS 0.5% 1/5W K50	T9001404
R	162	RESISTANCE CHIPSE	RC2211 43.2 KOHM 0.5% 1/5W K50	T9001414
R	216	RESISTANCE CHIPSE	RC2211 4.22 KOHM 0.5% 1/5W K50	T9001640
T	1	TRANSFORMATEUR	TRANSFORMATEUR DC/DC	16734075AA

46150413AA

SCHEMA SD72

REF.	REFERENCE NUMBER	DESCRIPTION	VALUE	PART NO
TEST POINT				
TP 1 2 3 4 5 6				
INTEGRATED CIRCUIT		PLAT CMS	RCT00000C	T1002596
Z 160		CIRCUIT INTEGRE CMS	TLC3391D S014P -40+85	T1001682
Z 210		CIRCUIT INTEGRE CMS	494 S016P -20+85 (TL4941D)	T9000738
Z 490 540 580		CIRCUIT INTEGRE CMS	082 S08P -40+85	T9000867
Z 870		CIRCUIT INTEGRE CMS	LT1009 S08P 0+70	T9001265
Z 300		CIRCUIT INTEGRE	IT1074HVCT T0220 0+70 5 BROCH	T9003482

< last page >

4A150051AA

SCHEMA SD73

REF.	REFERENCE NUMBER	DESCRIPTION	VALUE	PART NO
2		CASSE	519	91200575
4		RODILLE	520251-80	91280718
3		FIL DE CABLE	RZ05-06 NOIR	99028233
5		VIS	C M2,5X4/4 U INOX.A4 PASS.	99078673
CONNECTOR (FIXED)		CONNECTEUR	EJ-210N-200 (EPD-20-Y1)	T1002408
J 22		CONNECTEUR	52030-2210 (EPD-22-Y2)	T1002489
J 203				< last page >

46150055

SCHEMA SD74

REF.	REFERENCE NUMBER	DESCRIPTION	VALUE	PART NO
CONNECTOR (FIXED) J 503 J 51		CONNECTEUR CHN CONNECTEUR	52103-1217 (EPC-12S) HR-10A-10R-12SB (EFD-12-Y1)	T1002118 T1002471 < last page >

REF.	REFERENCE NUMBER	DESCRIPTION	VALUE	PART NO
24		LEXAN CI KEY BOARD		39965328
23		CADRE CI KEY BOARD		39965486
10		BLINDAGE SUPPORT		46152741AA
20		CAPOT SUR D		46152742AA
19		CAPOT BNC		46152743AA
18		DE BLOCAGE		46152745AA
28		CAPOT		46152907AA
14		ENTRETOISE TARAUDER		91595315
22		ECROU	ENNET15 1G.18	91648640
21		ROVETTE	1-329-631-2	91648641
32		ISOLATEUR	1-329-632-2	96103322
17		CIRCUITS	ISOLANT ADHESIF	99018625
13 16 26 30		ROVETTE	863-040-70	99051638
25		VIS	520301-80	99056372
12 27 31		ECROU	C M3X10/10 U INOX A4 PASS.	99059912
15		VIS	H M3 U INOX A4 PASSIVE	99072533
11 29		ENTRETOISE LISSE	C M3X5 U ZCN18-10 PASSIVE	99098620
34		VIS	EX152 I.G.3	99111690
33		VERROU	F/30 M3X4/4 U INOX A4 PASS.	T9003540
			VERROU A VIS FEMELLE UNCA-40	
CAPACITOR				
C	100	CONDENSATEUR CHIPS	CC0603-1CG-J 330 PF 5% 63V	T9000872
C	30 31 40 41 50 51 60 61 70 71 80 81 92 102 110	CONDENSATEUR CHIPS	CC0805B-X7R 0.1MF 10% 25V	T9000957
	120 130 140 150 151 170 171 200 210			
C	91	CONDENSATEUR CHIPS	CC0603-1CG-J 120 PF 5% 63V	T9000968
C	90	CONDENSATEUR CHIPS	CC0603-1CG-J 150 PF 5% 63V	T9000969
C	101	CONDENSATEUR CHIPS	CC0603-1CG-J 180 PF 5% 63V	T9000970
C	1 2 3	CONDENSATEUR CHIPS	C1C3D 33MF 20% 10V	T9003283
CONNECTOR (FIXED)				
J	21	CONNECTEUR	**M*DEP1095500UT (EFC-09V)	T9000393
J	10 11 12 13 14 15 16	CONNECTEUR COAXIAL	BNC75-BFCPE-V3 (METAL)	T9001127
J	20	CONNECTEUR	**M*DEP1095500CTX	T9001671
J	17	CONNECTEUR COAXIAL	EMBASE COAXIALE DROITE MCX	T9003326
CONNECTOR (MOBILE)				
P	103A		433620 10 CLAVETTES SUR PEIGNE	T1002726
P	103	CONNECTEUR CMS	SNC-B-50-M-AB-CL-107	T1002997
RESISTOR				
R	20 41 42 51 61 71 81	RESISTANCE CHIPSE	RR0603 1 KOHM 5% 1/16W K250	T9000696
R	83 90 91 101 155 175 200 201 210 211	RESISTANCE CHIPSE	RR0603 10 KOHMS 5% 1/16W K250	T9000697
R	21 23 24 25 26 120 121 122 123 124 125 126 127	RESISTANCE CHIPSE	RR0603 100 KOHMS 5% 1/16W K250	T9000698
	130 131 132 133 134 135 136 137 140 141 142 143			
	144 145 202 203 204 205 206 207 208 209 212 213			
	214 215 216 217 218 219			
R	110 111 220	RESISTANCE CHIPSE	RR0603 0 OHM 1/16W K250	T9000877
R	31	RESISTANCE CHIPSE	RR0603 1,5 KOHM 5% 1/16W K250	T9000982
R	150 170	RESISTANCE CHIPSE	RR0603 2,2 KOHMS 5% 1/16W K250	T9000986
R	152 172	RESISTANCE CHIPSE	RR0603 2,4 KOHMS 5% 1/16W K250	T9000987
R	154 174	RESISTANCE CHIPSE	RR0603 3,2 KOHMS 5% 1/16W K250	T9001000
R	22 82	RESISTANCE CHIPSE	RR0603 100 OHMS 5% 1/16W K250	T9001030
R	32	RESISTANCE CHIPSE	RR0603 220 OHMS 5% 1/16W K250	T9001038
R	52 62 72	RESISTANCE CHIPSE	RR0603 470 OHMS 5% 1/16W K250	T9001046
R	100	RESISTANCE CHIPSE	RR0603 13 KOHMS 5% 1/16W K250	T9001056
R	153 173	RESISTANCE CHIPSE	RR0603 15 KOHMS 5% 1/16W K250	T9001057
R	151 171	RESISTANCE CHIPSE	RR0603 30 KOHMS 5% 1/16W K250	T9001064
R	30 33 40 43 50 60 70 80	RESISTANCE CHIPSE	RC503 75 OHMS 0.5% 1/16W K50	T9001760
SWITCH				
S	22 23 24 25 26	CONDENSATEUR A LEVIER	T111EG-RA-1 (UNI.PF/PT V2)	99115150
S	1 2 3 4 5 6 7 8 9 10 11 12 13 14 15 16 17 18 19	CONDENSATEUR CMS	KSC221C	T1002532
	20 21 31 32 33 34 35 36			
S	27 28 29 30	CONDENSATEUR A LEVIER	A0*1-JAV2P-V2 (NK235X789)	T9001449
TEST POINT				
TP	1	POINT CMS	RCT00000C	T1002596
INTEGRATED CIRCUIT				
Z	90 100	CIRCUIT INTEGRE CMS	**M*PC74HC4538T S016P -40+85	91680869
Z	30 40 50 60 70 80 150 170	CIRCUIT INTEGRE CMS	C1C405AJE S08 -40 +85	T1005343
Z	120 130 140 200 210	MICROPROCESSEUR CMS	68HC66P1 S016P -40+85 8BIT	T9000419
Z	110	CIRCUIT INTEGRE CMS	74HC126 S014P -40+85	T9003041

46150639AA

SCHEMA 65V2

REF.	REFERENCE NUMBER	DESCRIPTION	VALUE	PART NO
13		LANGUETTE		39964910
30		BLINDAGE CARTE 2 CONNECTEURS		46152416AA
10		SERIGRAPHIE PALI		46153262AA
12		520201-80		91280717
35		TRANSFERT REF.950 LARG.19MM		91554602
11		C 82X5 U Z2CND17-12 PASSIVE		99071508
CAPACITOR				
C	611 633 731	CONDENSATEUR CHIPS	CTC3A 1MF 20% 16V	99142711
C	1 130 140 422 424 912 913 1000 1001	CONDENSATEUR CHIPS	CTC3D 47MF 20% 16V	T1006086
C	541 631 732 783 801 943 951	CONDENSATEUR CHIPS	CC0603-1CG-J 100 PF 5% 63V	T9000870
C	867	CONDENSATEUR CHIPS	CC0603-1CG-J 220 PF 5% 63V	T9000871
C	784 944	CONDENSATEUR CHIPS	CC0603-1CG-J 330 PF 5% 63V	T9000872
C	90 103 104 122 131 141 150 160 170 180 181 182	CONDENSATEUR CHIPS	CC0805B-X7R 0.1MF 10% 25V	T9000957
	183 190 191 192 193 200 210 220 221 230 231 240			
	241 270 300 320 321 322 324 332 340 341 400 403			
	500 501 502 520 540 550 572 580 610 630 634 650			
	660 670 700 701 703 704 733 781 782 790 791 840			
	841 842 860 861 862 863 910 911 920 921 941 942			
	980 981 984 1010 1011 1050 1060 1070 1071			
C	1020	CONDENSATEUR CHIPS	CC0603-1CG-J 12 PF 5% 63V	T9000958
C	331	CONDENSATEUR CHIPS	CC0603-1CG-J 15 PF 5% 63V	T9000959
C	224 225 234 235	CONDENSATEUR CHIPS	CC0603-1CG-J 18 PF 5% 63V	T9000960
C	632	CONDENSATEUR CHIPS	CC0603-1CG-J 22 PF 5% 63V	T9000961
C	222 232 600 864	CONDENSATEUR CHIPS	CC0603-1CG-J 47 PF 5% 63V	T9000964
C	865 866 982 983	CONDENSATEUR CHIPS	CC0603-1CG-J 82 PF 5% 63V	T9000967
C	635	CONDENSATEUR CHIPS	CC0603-1CG-J 120 PF 5% 63V	T9000968
C	401	CONDENSATEUR CHIPS	CC0603-1CG-J 180 PF 5% 63V	T9000970
C	402	CONDENSATEUR CHIPS	CC0603-1CG-J 390 PF 5% 63V	T9000971
C	800	CONDENSATEUR CHIPS	CC0603-1CG-J 2.2PF+-0.25PF 63V	T9000974
C	952	CONDENSATEUR CHIPS	CC0603-1CG-J 4.7PF+-0.25PF 63V	T9000976
C	310	CONDENSATEUR CHIPS	CC0603-1CG-J 8.2PF+-0.25PF 63V	T9000978
C	671 672 705	CONDENSATEUR CHIPS	CC0603-2C1 1NF 10% 63V	T9001015
C	105 120 311 312 323 330 571 702 730 843 844 950	CONDENSATEUR CHIPS	CC0603-2C1 10NF 10% 63V	T9001016
C	223 233 915	CONDENSATEUR CHIPS	CC0603-1CG-J 27 PF 5% 63V	T9001179
C	570	CONDENSATEUR CHIPS	CC0805-1CG-J 1 NF 5% 50/63V	T9001369
C	100 101 831 961	CONDENSATEUR CHIPS	CTC3B 4.7MF 20% 16V	T9001370
C	420 421	CONDENSATEUR CHIPS	CTC3D 22NF 20% 16V	T9001718
C	2 3 4	CONDENSATEUR CHIPS	CTC3E 100UF 10% 16V TANTALE	T9004239
DIODE				
CR	420 540 550 600 660 701	DIODE CMS	BA516 SOT23 [A6]	99110304
CR	601 602	DIODE CMS	BAW56 SOT23 [A1]	99111266
CR	100 240 241 700 730 800	DIODE CMS	BAV99 SOT23	99116852
DELAY LINE				
DL	1010	LIGNE A RETARD	DL5107 330 NS 500 OHMS	91675760
INDUCTOR				
L	1020	INDUCTANCE CMS	614AN-91012 (100UH)	T1002140
L	950	INDUCTANCE CMS	614BN-9150 (15UH)	T1002141
L	600	INDUCTANCE CMS	LC1812 22 MICROHENRYS 10%	T9001007
L	130 140	INDUCTANCE CMS	LC1812 47 MICROHENRYS 10%	T9001008
L	780 940	INDUCTANCE CMS	LC1812 68 MICROHENRYS 10%	T9001010
L	861	INDUCTANCE CMS	LC1812 18 UH 10% -40+85	T9001011
L	860	INDUCTANCE CMS	LC1812 6.8 MICROHENRYS 10%	T9001193
L	1 2 3 4	INDUCTANCE CMS	LCZ220 22 UH 10% (0R09)	T9001335
CONNECTOR (MOBILE)				
P	104	CONNECTEUR CMS	SNC-B-50-M-AB-CL-107	T1002997
TRANSISTOR				
Q	420 610 790 890 1000	TRANSISTOR CMS	S03904 NPN SOT23	99110321
Q	300 310 900 1010	TRANSISTOR CMS	S03906 PNP SOT23	99110322
RESISTOR				
R	11 12 13	POTENTIOMETRE CMS	ST-3A 10 KOHMS 20%	T1001973
R	14 15 23	POTENTIOMETRE CMS	ST-3A 5 KOHMS 20%	T1002027
R	19 21	POTENTIOMETRE CMS	ST-3A 1 KOHM 20%	T1002028
R	18	POTENTIOMETRE CMS	ST-3A 500 OHMS 20%	T1002085
R	17 22	POTENTIOMETRE CMS	ST-3A 500 KOHMS 20%	T1002090
R	10	POTENTIOMETRE CMS	ST-5W 20 KOHMS 10% (11 TOURS)	T1002180
R	16 20	POTENTIOMETRE CMS	ST-3A 100 KOHMS 20%	T1002181
R	220 230 271 420 520 540 600 881 882 910 913 986	RESISTANCE CHIPSE	RR0603 1 KOHM 5% 1/16W K250	T9000696
R	106 244 320 323 633 713 737 738 793 830 960 1000	RESISTANCE CHIPSE	RR0603 10 KOHMS 5% 1/16W K250	T9000697
	1060 1061			
R	242 243 270 330 340 421 541 550 680 987 1062 1063	RESISTANCE CHIPSE	RR0603 100 KOHMS 5% 1/16W K250	T9000698
R	603	RESISTANCE CHIPSE	RR0603 10 OHMS 5% 1/16W K250	T9000933
R	200	RESISTANCE CHIPSE	RR0603 33 OHMS 5% 1/16W K250	T9000945
R	863 865 1001 1010	RESISTANCE CHIPSE	RR0603 47 OHMS 5% 1/16W K250	T9000949
R	632 950 951	RESISTANCE CHIPSE	RR0603 1.5 KOHM 5% 1/16W K250	T9000982
R	602 831 866 961 1002 1011	RESISTANCE CHIPSE	RR0603 2.2 KOHMS 5% 1/16W K250	T9000986
R	423 601 610 911	RESISTANCE CHIPSE	RR0603 2.7 KOHMS 5% 1/16W K250	T9000988
R	124 400 890 900 984	RESISTANCE CHIPSE	RR0603 3.3 KOHMS 5% 1/16W K250	T9000990
R	110 180 300 301 333 607 791 792 800 953 954	RESISTANCE CHIPSE	RR0603 4.7 KOHMS 5% 1/16W K250	T9000994
R	952	RESISTANCE CHIPSE	RR0603 5.6 KOHMS 5% 1/16W K250	T9000996
R	100	RESISTANCE CHIPSE	RR0603 6.8 KOHMS 5% 1/16W K250	T9000998
R	604 631 812	RESISTANCE CHIPSE	RR0603 8.2 KOHMS 5% 1/16W K250	T9001000
R	310 332 422 581 790 861 870 901	RESISTANCE CHIPSE	RR0603 100 OHMS 5% 1/16W K250	T9001030
R	730	RESISTANCE CHIPSE	RR0603 220 OHMS 5% 1/16W K250	T9001038
R	1021	RESISTANCE CHIPSE	RR0603 390 OHMS 5% 1/16W K250	T9001044
R	786 946	RESISTANCE CHIPSE	RR0603 430 OHMS 5% 1/16W K250	T9001045
R	871 880 1012	RESISTANCE CHIPSE	RR0603 470 OHMS 5% 1/16W K250	T9001046
R	912	RESISTANCE CHIPSE	RR0603 510 OHMS 5% 1/16W K250	T9001047
R	862 864 869 982 983	RESISTANCE CHIPSE	RR0603 560 OHMS 5% 1/16W K250	T9001048
R	605 1003	RESISTANCE CHIPSE	RR0603 680 OHMS 5% 1/16W K250	T9001050
R	867	RESISTANCE CHIPSE	RR0603 820 OHMS 5% 1/16W K250	T9001052
R	1064	RESISTANCE CHIPSE	RR0603 11 KOHMS 5% 1/16W K250	T9001054
R	860 980	RESISTANCE CHIPSE	RR0603 12 KOHMS 5% 1/16W K250	T9001055
R	571 944	RESISTANCE CHIPSE	RR0603 16 KOHMS 5% 1/16W K250	T9001058
R	101	RESISTANCE CHIPSE	RR0603 22 KOHMS 5% 1/16W K250	T9001061
R	784	RESISTANCE CHIPSE	RR0603 24 KOHMS 5% 1/16W K250	T9001062
R	401	RESISTANCE CHIPSE	RR0603 30 KOHMS 5% 1/16W K250	T9001064
R	671	RESISTANCE CHIPSE	RR0603 33 KOHMS 5% 1/16W K250	T9001065
R	630 634 868	RESISTANCE CHIPSE	RR0603 47 KOHMS 5% 1/16W K250	T9001069
R	711	RESISTANCE CHIPSE	RR0603 62 KOHMS 5% 1/16W K250	T9001072
R	670	RESISTANCE CHIPSE	RR0603 68 KOHMS 5% 1/16W K250	T9001073
R	247 706	RESISTANCE CHIPSE	RR0603 82 KOHMS 5% 1/16W K250	T9001075
R	605	RESISTANCE CHIPSE	RR0603 150 KOHMS 5% 1/16W K250	T9001080
R	241	RESISTANCE CHIPSE	RR0603 200 KOHMS 5% 1/16W K250	T9001083
R	709 735	RESISTANCE CHIPSE	RR0603 220 KOHMS 5% 1/16W K250	T9001084
R	500	RESISTANCE CHIPSE	RR0603 240 KOHMS 5% 1/16W K250	T9001085
R	240 344	RESISTANCE CHIPSE	RR0603 330 KOHMS 5% 1/16W K250	T9001088
R	650	RESISTANCE CHIPSE	RR0603 470 KOHMS 5% 1/16W K250	T9001092
R	925	RESISTANCE CHIPSE	RR0603 680 KOHMS 5% 1/16W K250	T9001096
R	345	RESISTANCE CHIPSE	RR0603 820 KOHMS 5% 1/16W K250	T9001098
R	712 736 1020	RESISTANCE CHIPSE	RR0603 1 MEGOHM 5% 1/16W K250	T9001100

REF.	REFERENCE NUMBER	DESCRIPTION	VALUE	PART NO
R 703	858	RESISTANCE CHIPSE	RR0603 1.5 MEGOHM 5% 1/16W	T9001101
R 707		RESISTANCE CHIPSE	RR0603 2.2 MEGOHM 5% 1/16W	T9001102
R 914		RESISTANCE CHIPSE	RC603 75 OHMS 0.5% 1/16W K50	T9001760
R 311	822	RESISTANCE CHIPSE	RC603 1 KOHM 0.5% 1/16W K50	T9001763
R 943		RESISTANCE CHIPSE	RC603 1.96KOHMS 0.5% 1/16W 50K	T9001794
R 570	811 853 855 856 920 921 924	RESISTANCE CHIPSE	RC603 2 KOHMS 0.5% 1/16W 50K	T9001795
R 783		RESISTANCE CHIPSE	RC603 2.05KOHMS 0.5% 1/16W 50K	T9001796
R 785	945	RESISTANCE CHIPSE	RC603 2.21KOHMS 0.5% 1/16W 50K	T9001798
R 782	940	RESISTANCE CHIPSE	RC603 3.09KOHMS 0.5% 1/16W 50K	T9001800
R 223	224 233 234	RESISTANCE CHIPSE	RC603 3.32KOHMS 0.5% 1/16W 50K	T9001801
R 781		RESISTANCE CHIPSE	RC603 3.69KOHMS 0.5% 1/16W 50K	T9001802
R 941		RESISTANCE CHIPSE	RC603 4.64KOHMS 0.5% 1/16W 50K	T9001803
R 221	231	RESISTANCE CHIPSE	RC603 5.11KOHMS 0.5% 1/16W 50K	T9001804
R 222	232 922	RESISTANCE CHIPSE	RC603 5.62KOHMS 0.5% 1/16W 50K	T9001805
R 246		RESISTANCE CHIPSE	RC603 7.5KOHMS 0.5% 1/16W 50K	T9001806
R 942		RESISTANCE CHIPSE	RC603 9.09KOHMS 0.5% 1/16W 50K	T9001816
R 702	705 708	RESISTANCE CHIPSE	RC603 10KOHMS 0.5% 1/16W 50K	T9001817
R 731	733	RESISTANCE CHIPSE	RC603 12.1KOHMS 0.5% 1/16W 50K	T9001818
R 245		RESISTANCE CHIPSE	RC603 19.1KOHMS 0.5% 1/16W 50K	T9001821
R 780		RESISTANCE CHIPSE	RC603 19.6KOHMS 0.5% 1/16W 50K	T9001822
R 120	121 122 321 322 700 734	RESISTANCE CHIPSE	RC603 22.1KOHMS 0.5% 1/16W 50K	T9001823
R 710		RESISTANCE CHIPSE	RC603 24.9KOHMS 0.5% 1/16W 50K	T9001824
R 248	342	RESISTANCE CHIPSE	RC603 46.4KOHMS 0.5% 1/16W 50K	T9001825
R 249	343 701 704 732	RESISTANCE CHIPSE	RC603 100KOHMS 0.5% 1/16W 50K	T9001826
R 851		RESISTANCE CHIPSE	RC603 9.53K 0.5% 1/16W K50	T9001845
R 852		RESISTANCE CHIPSE	RC603 18.7K 0.5% 1/16W K50	T9001846
R 854	923	RESISTANCE CHIPSE	RC603 29.4K 0.5% 1/16W K50	T9001847
R 123		RESISTANCE CHIPSE	RC603 26.7KOHMS 0.5% 1/16W 50K	T9003353
R 810		RESISTANCE CHIPSE	RC603 820 OHMS 0.5% 1/16W 50K	T9003354
R 820		RESISTANCE CHIPSE	RC603 1.43KOHMS 0.5% 1/16W 50K	T9003355
R 821		RESISTANCE CHIPSE	RC603 2.2KOHMS 0.5% 1/16W 50K	T9003356
R 850		RESISTANCE CHIPSE	RC603 48.7KOHMS 0.5% 1/16W 50K	T9003489
R 857		RESISTANCE CHIPSE	RC603 604 OHMS 0.5% 1/16W 50K	T9003490
SWITCH				
S	1 2 3	COMBINAISON CMS	%%INVERSEUR ROTAT.2POS+N 1POL	T9001347
TEST POINT				
TP	1 2 3 4 5 6 8 9 10 15 16 17 18 19	PLOT CMS	RCT00000C	T1002596
QUARTZ				
Y	130	OSCILLATEUR A QUARTZ	VCK0-104 17.734475 MHZ	91686254
Y	140	OSCILLATEUR A QUARTZ	VC-TCXO-43C1 27MHZ +-1PPM	T1005597
INTEGRATED CIRCUIT				
Z	170	CIRCUIT INTEGRE PROGRAMME	Z170	47016897BA
Z	190	CIRCUIT INTEGRE PROGRAMME	Z190	47016898BA
Z	400 570 630	CIRCUIT INTEGR CMS	**MPC74HC4538T S016P -40+85	91680869
Z	170A	SUPPORT DE CIRCUIT INTEGRE	SCC1D8-Y1-A-B	99116590
Z	200 210 800	CIRCUIT INTEGRE CMS	74HC04 S014P -40+85	99137355
Z	930	CIRCUIT INTEGRE CMS	74HC08 S014P -40+85	99137356
Z	270 340 580 790 840 880 1020	CIRCUIT INTEGRE CMS	**M74HC4053 S016P -40+85	99137357
Z	660	CIRCUIT INTEGRE CMS	74HC02 S014P -40+85	99137358
Z	330	CIRCUIT INTEGRE CMS	74HC123 S016P -40+85	99138868
Z	160 540 560 680	CIRCUIT INTEGRE CMS	74HC74 S014P -40+85	99142001
Z	520 550 670	CIRCUIT INTEGRE CMS	74HC00 S014P -40+85	99142253
Z	650	CIRCUIT INTEGRE CMS	**M74HC4017 S016P -40+85	99142989
Z	150	CIRCUIT INTEGRE CMS	74HC104 S014P -40+85	99143772
Z	100 240 320 700 710 730	CIRCUIT INTEGRE CMS	062 S08P 0.70 (TL062)	99175378
Z	950	CIRCUIT INTEGRE CMS	1M6361 S08P	T1000260
Z	220 230	CIRCUIT INTEGRE CMS	ADR47JR S08P 0+70	T1000607
Z	910	CIRCUIT INTEGRE CMS	ET1229CS8 S08P 0+70	T1001991
Z	170	MEMOIRE PROM	XC1765-P98C D8P 0+70	T1002597
Z	780 810 820 830 850 920 940 960	CIRCUIT INTEGRE CMS	CIC405AJE S08 -40 +85	T1005343
Z	190	RESEAU LOGIQUE PROGRAM. CMS	**M74M7032LC44-10 PLCC44 0+70	T1005488
Z	500	CIRCUIT INTEGRE CMS	GS4982-CKA S08P 0 +70	T1005547
Z	1060	MICROPROCESSEUR CMS	68HC68P1 S016P -40+85 8BIT	T9000419
Z	90	CIRCUIT INTEGRE CMS	74HC4046 S016P -40+85	T9000577
Z	600	RESEAU DE TRANSISTORS CMS	3086 S014P -40+85	T9000628
Z	120	CIRCUIT INTEGRE CMS	74HC4052 S016P -40+85	T9000721
Z	1050	CIRCUIT INTEGRE CMS	*0*DAC08 R-2R 60US DF16P -20+8	T9000728
Z	190A	SUPPORT DE CIRCUIT INTEGRE CMS	MSPLCC44-BP-0P-S ENCOCHIE	T9001122
Z	860 980	CIRCUIT INTEGRE CMS	1496 S014P 0.70	T9001554
Z	180	CIRCUIT INTEGRE CMS	XC4003E-4-PQ100C QF100P 0+70	T9003863

DATE D'APPLICATION: 16-Dec-98 N O M E N C L A T U R E D E D E F I N I T I O N (un niveau)
 CODE COMPOSE: 1A518761AA DESIGNATION: CARP %%PANEL BLOC ANALYSE IT 5V
 EDITION: NO MOD EDIT: REF COMPLEMENTAIRE: NO MOD EDIT: 00-XXX-00
 CODE FAM/PROD :3A PROPRIETAIRE: DATE MODIF EDIT: 00-XXX-00

NO SEQ	REPERE TOPO	NO ARTICLE	ED	DESIGNATION REF COMP	/REMARQUES	FABRICANT	LIEN	QTE DU UM	DATE DEPART	DATE CLOTURE	IND COD MOD OPE	SEQ OPE	NO GOD	CODE FORME
A01		1A518715/01		CIUP %% BLOC ANALYSE IT 5V CDA:XE6-THCE0-5461		TBS		1	U	18-Aug-97	00-XXX-00	002	000	000
A06		47032649	B	CART SOCKET IT 5V VERT ROUGE		TB		2	U	18-Aug-97	00-XXX-00	380	000	000
A05		47032304	B	CART SOCKET IT 5V		TB		1	U	18-Aug-97	00-XXX-00	380	000	000
A07		4C033292AC	B	CART SAMPLE-HOLD 4/3 IT NUM.		TBS		1	U	18-Aug-97	00-XXX-00	A	380	000
A03		4A150300	F	CART DRIVERS IT 4/3 5V		TB		1	U	18-Aug-97	00-XXX-00	380	000	000
A08		47033303AA	A	CART TIMING IT 5V NUM. 4/3		TBS		1	U	18-Aug-97	00-XXX-00	A	380	000

DATE D'APPLICATION: 16-Dec-98

DEFINITION (un niveau)

CODE COMPOSE: 16518765AA

DESIGNATION: CARP %% BLOC ANALYSE 4/3 IT NUM

EDITION: A
CODE FAM/PROD :3D

REF COMPLEMENTAIRE: 525L
NO MOD EDIT: 01
PROPRIETAIRE:REN
DATE MODIF EDIT: 07-Oct-97

NO SEQ	REPERE TOPO	NO ARTICLE	ED	DESIGNATION / REF COMP	REMARQUES	FABRICANT	QTE DU LIEN	UM	DATE DEPART	DATE CLOTURE	IND COD MOD	SEQ OPE	NO CODE GOD FORME
A01		1A518715/01		CIUP %% BLOC ANALYSE IT 5V CDA:XE6-THCE0-5461		TBS	1	U	22-Sep-97	00-XXX-00		002	000
A05		47033341AA	A	CART TIMING IT 4/3 NUM, 525 5V		TBS	1	U	22-Sep-97	00-XXX-00		380	000
A07		47032975	C	CART DRIVERS IT 5V NTSC		TB	1	U	07-Oct-97	00-XXX-00		380	000
A06		47032304	B	CART SOCKET IT 5V		TB	1	U	22-Sep-97	00-XXX-00		380	000
A02		47032649	B	CART SOCKET IT 5V VERT ROUGE		TB	2	U	22-Sep-97	00-XXX-00		380	000
A03		4C033292AC	B	CART SAMPLE-HOLD 4/3 IT NUM.		TBS	1	U	22-Sep-97	00-XXX-00		380	000

DATE D'APPLICATION: 16-Dec-98 N O M E N C L A T U R E D E F I N I T I O N (un niveau)
 CODE COMPOSE: 1D518758AE DESIGNATION: CARP ***BLOC ANA 16/9 NUM 1657
 EDITION: A REF COMPLEMENTAIRE: NO MOD EDIT: 01-Sep-97
 CODE FAM/PROD :3D PROPRIETAIRE:REN

NO SEQ	REPERE TOPO	NO ARTICLE	ED	DESIGNATION REF COMP	REMARQUES	FABRICANT	LIEN	QTE DU	UM	DATE DEPART	DATE CLOTURE	IND COD MOD OPE	SEQ OPE	NO CODE FORME
A01		4A150066	B	CART SOCKET FIT 16/9		TB		1	U	16-Jun-97	00-XXX-00		380	000
A05		47032487	C	CART SOCKET FIT 16/9	VERT ROUGE	TB		2	U	16-Jun-97	00-XXX-00		380	000
A08		4D033197AD	G	CART SAMPLE+HOLD 16/9	4/3 NUM	TBR		1	U	16-Jun-97	00-XXX-00		380	000
A09		4B033255AA		CART TIMING FIT 16/9-4/3	2E VE	TBS		1	U	16-Jun-97	00-XXX-00		380	000
A03		4A150394	C	CART DRIVER FIT 16:9/4:3		TB		1	U	16-Jun-97	00-XXX-00		380	000
A10		1D518690AE	A	CIUP ***S45**BLOC ANA 16/9	MAT			1	U	01-Sep-97	00-XXX-00	B	A 002	000

DATE D'APPLICATION: 16-Dec-98

DEFINITION (un niveau)

DESIGNATION: CARP %%BLOC ANA 16/9 NUM 525

CODE COMPOSE: 16518764AA

REF COMPLEMENTAIRE: NO MOD EDIT: 00-XXX-00

EDITION: -

DATE MODIF EDIT: 00-XXX-00

PROPRIETAIRE: REN

NO SEQ	REPERE TOPO	NO ARTICLE	ED	DESIGNATION REF COMP	REMARQUES	FABRICANT	LIEN	QTE DU	UM	DATE DEPART	DATE CLOTURE	IND MOD	COD MOD	SEQ OPE	NO GOD	CODE FORME
A01		1D518690AE	A	CIUP	%%*S45**BLOC ANA 16/9 MAT			1	U	19-Sep-97	00-XXX-00			002	000	
A04		47033338AA	A	CART TIMING FIT 16/9 NUM. 525L		TBS		1	U	19-Sep-97	00-XXX-00			380	000	
A06		47032487	C	CART SOCKET FIT 16/9 VERT ROUGE		TB		2	U	19-Sep-97	00-XXX-00			380	000	
A05		4A150066	B	CART SOCKET FIT 16/9		TB		1	U	19-Sep-97	00-XXX-00			380	000	
A02		4A150394	C	CART DRIVER FIT 16:9/4:3		TB		1	U	19-Sep-97	00-XXX-00			380	000	
A03		4D033197AD	G	CART SAMPLE+HOLD 16/9 4/3 NUM.		TBR		1	U	19-Sep-97	00-XXX-00			380	000	

DATE D'APPLICATION: 16-Dec-98 N O M E N C L A T U R E D E D E F I N I T I O N (un niveau)
 CODE COMPOSE: 16518770AA DESIGNATION: CARP ANALYSE 1250 POINTS FIT 16/9
 EDITION: A REF COMPLEMENTAIRE:
 CODE FAM/PROD :3A NO MOD EDIT: PROPRIETAIRE:REN DATE MODIF EDIT: 23-Sep-98

NO SEQ	REPERE TOPO	NO ARTICLE	ED	DESIGNATION REF COMP	REMARQUES	FABRICANT	QTE DU LIEN	UM	DATE DEPART	DATE CLOTURE	IND COD MOD OPE	SEQ OPE	NO GOD	CODE FORME
A10 A06		46150617AA 16518769AA	A A	CART SOCKET BLEU 1200PTS CIUP ANALYSE 1250 POINTS FIT 16/9	TBS	1 1	U U	23-Sep-98 20-May-98	00-XXX-00 00-XXX-00	A A	380 002	000 000		
A07 A09 A11 A08		46150605AA 46150607AA 46150619AA 46150606AA	A A B A	CDA:XF8-THCE0-6765 CART TIMING FIT 1200 POINTS CART SOCKET RED/GREEN 1200PTS CART SAMPLE AND HOLD 1200POINTS CART DRIVERS FIT 16/9 1200 PTS.	TBS TBS TBS TBS	1 2 1 1	U U U U	23-Sep-98 23-Sep-98 23-Sep-98 23-Sep-98	00-XXX-00 00-XXX-00 00-XXX-00 00-XXX-00	A A A A	380 380 380 380	000 000 000 000		

DATE D'APPLICATION: 16-Dec-98 N O M E N C L A T U R E D E D E F I N I T I O N (un niveau)
 CODE COMPOSE: 16518744AA
 EDITION: B
 CODE FAM/PROD :3C
 REF COMPLEMENTAIRE: CARP PANEL TRAITEMENT 1707
 NO MOD EDIT: 12-Oct-98
 PROPRIETAIRE:REN

NO SEQ	REPERE TOPO	NO ARTICLE	ED	DESIGNATION / REMARQUES	FABRICANT	QTE DU LIEN	UM	DATE DEPART	DATE CLOTURE	IND MOD	COD MOD	SEQ OPE	NO GOD	CODE FORME
A04		46150055	E	CART LENS	TB	1	U	06-Oct-97	00-XXX-00			380	000	
A15		4A150412AA	A	CART REAR CONTROL	TBS	1	U	12-Oct-98	00-XXX-00	B	A	380	000	
A07		16518743AA	A	CIUP PANEL TRAITEMENT 1707 CDA:XC8-THCE0-3362		1	U	06-Oct-97	00-XXX-00			002	000	
A14		4A150407AA	B	CART FILTER DEMOD.	TBS	1	U	12-Oct-98	00-XXX-00	B	A	380	000	
A08		4A150051AA	B	CART VIEW FINDER	TBS	1	U	20-Feb-98	00-XXX-00	B	A	380	000	
A16		4A150415AA	A	CART MOTHER BOARD 1707	TBS	1	U	12-Oct-98	00-XXX-00	B	A	380	000	
A13		46150406AA	B	CART DIGITAL AUDIO -MP-	TBS	1	U	12-Oct-98	00-XXX-00	B	A	380	000	

DATE D'APPLICATION: 16-Dec-98

DEFINITION (un niveau)

CODE COMPOSE: 16518755AA

DESIGNATION: CIUP %%PANEL TRAITEMENT NUM. NTSC

EDITION: C

REF COMPLEMENTAIRE: CDA:XC8-IHCEO-3570

CODE FAM/PROD :3D

NO MOD EDIT: DATE MODIF EDIT: 24-Mar-98

PROPRIETAIRE:REN

NO SEQ	REPERE TOPO	NO ARTICLE	ED	DESIGNATION REF COMP	REMARQUES	FABRICANT	OTE DU LIEN	UM	DATE DEPART	DATE CLOTURE	IND COD MOD OPE	SEQ OPE	NO GOD	CODE FORME
A10		2C534601AA		CIU MOTHER BOARD CDA:XB7-THCEO-1422	TTV 1657D	TBS		1	U 22-Jun-98	00-XXX-00	C	A 002	000	000
A04		2B534604AB		CIU **MPU BOARD CDA:YA7-THCEO-0825		TB		1	U 02-Sep-97	00-XXX-00		002	000	000
A06		29534649AA		CIU **NTSC ENCODER CDA:XB7-THCEO-2121		TBS		1	U 02-Sep-97	00-XXX-00		002	000	000
A07		2A298305/01		CIU **KEY 1657 XG3-THCEO-4393		TB		1	U 23-Mar-98	00-XXX-00	A	A 002	000	000
A09		2B534576/A		CIU DIGITAL PROCESS CDA:XM7-THCEO-D369		TBS		1	U 23-Mar-98	00-XXX-00	B	A 002	000	000
A08		2A534573AA		CIU ANALOG PROCESS XC8-THCEO-2948		TBS		1	U 23-Mar-98	00-XXX-00	A	A 002	000	000

DATE D'APPLICATION: 16-Dec-98 N O M E N C L A T U R E D E D E F I N I T I O N (un niveau)

DESIGNATION: BLOC TRAITEMENT EQUIPE
REF COMPLEMENTAIRE: CAMERA 1707
NO MOD EDIT: 04 DATE MODIF EDIT: 01-Dec-98
PROPRIETAIRE: REN

CODE COMPOSE: 46152900AA
EDITION: C
CODE FAM/PROD :3C

NO SEQ	REPERE TOPO	NO ARTICLE	ED	DESIGNATION / REF COMP	REMARQUES	FABRICANT	OTE DU LIEN	DU UM	DATE DEPART	DATE CLOTURE	IND MOD	COD MOD	SEQ OPE	NO GOD	CODE FORME
A12		16518744AA	B	CARP PANEL TRAITEMENT 1707		TB		1	U	12-Oct-98	00-XXX-00		400	000	
A13		16518772AA	B	CARP TRAITEMENT NUMERIQUE COMMUT		TB		1	U	12-Oct-98	00-XXX-00		400	000	
A19		46152865AA	F	CAMERA 1707 KIT MECA BLOC TRAITEMENT		TBS		1	U	01-Dec-98	00-XXX-00	C	400	000	
A16		47033648AA		SOFT PC-TEL V1.10		TBS		1	U	27-Oct-98	00-XXX-00	B	680	000	
A09	150	46152877AA	B	POIGNEE EQUIPEE		TBS		1	U	12-Oct-98	00-XXX-00		400	000	
A01	501	46152866AA	A	EPAULIERE		TBS		1	U	12-Oct-98	00-XXX-00		400	000	
A06	502	46152944AA	A	%% ENS. AXE DE VISEUR		TBS		1	U	12-Oct-98	00-XXX-00		400	000	
A10	505	39964892AA		RENFORT EPAULIERE		TBS		1	U	12-Oct-98	00-XXX-00		400	000	
A18	510	46152874AA	C	CORPS DE CAMERA EQUIPE		TBS		1	U	01-Dec-98	00-XXX-00	C	400	000	
A14	520	46150413AA	A	CART POWER SUPPLY 1707		TBS		1	U	12-Oct-98	00-XXX-00	A	400	000	
A15	100	47016975AA	A	PROG Z 100		TBS		1	U	27-Oct-98	00-XXX-00	B	007	000	
A17	160	47033802AA		SOFT ISP-DP1 V1.0		TBS		1	U	27-Oct-98	00-XXX-00	B	680	000	

FIN DE L'ETAT

DATE D'APPLICATION: 16-Dec-98 N O M E N C L A T U R E D E D E F I N I T I O N (un niveau) ENSEMBLE MIC INTERCOM TUCHEL

CODE COMPOSE: 46153135AA REF COMPLEMENTAIRE: NO MOD EDIT: 19-Oct-98

EDITION: D PROPRIETAIRE:REN

NO SEQ	REPERE TOPO	NO ARTICLE	ED	DESIGNATION / REF COMP	REMARQUES	FABRICANT	LIEN	QTE DU UM	DATE DEPART	DATE CLOTURE	IND MOD	SEQ OPE	NO CODE GOD
A20		99028757		FIL KZ04-04L (BLANC) FI2607 BLANC		AXON CABL		.4	M	16-Sep-97	00-XXX-00	100	000
A34		4A150411AA	A	CART MIC/INTERCOM.		TBS		1	U	23-Oct-98	00-XXX-00	D	A
A22		99002488		GAIN GER51-02 (1/16 NOIRE)		TH-CSF BCN		.2	M	16-Sep-97	00-XXX-00		
A21		99070586		FIL KZ04-04 NOIR		TH-CSF BCN		.4	M	16-Sep-97	00-XXX-00		
A01	100	46152778AA		SERIG TEXTE MIC INTERCOM		TBS		1	U	15-Sep-97	00-XXX-00		
A02	101	91351523		ENIT %%ENMET12 LG.12 39961595/022 FF40H3055-11		ACME		3	U	15-Sep-97	00-XXX-00		
A03	102	46152882AA		ETANCHEITE MIC INTERCOM		TBS		1	U	15-Sep-97	00-XXX-00		
A04	103	99051638		RDEL 520301-80		NOMEL		3	U	15-Sep-97	00-XXX-00		
A05	104	99060923		VIS C M3X6/6 U INOX A4 PASS.		TH-CSF BCN		3	U	15-Sep-97	00-XXX-00		
A06	105	46152849AA		INSERT PROTECTION INF		TBS		1	U	15-Sep-97	00-XXX-00		
A07	106	T9004273		VIS AUTO.T TCBL+ 3X10 ACIER-Z-W RFSN70				3	U	15-Sep-97	00-XXX-00		
A08	107	91491906		JACK T2121000		SOCAPEX		1	U	15-Sep-97	00-XXX-00		
A09	108	T1001246		CNSC LX-DC6		JAE		1	U	15-Sep-97	00-XXX-00		
A18	108B	91645856		CNCT LX-C2-1-5000 [P.CT150-2-LX2B MSA.CT350-2B-LX]		JAE		6	U	16-Sep-97	00-XXX-00		
A10	109	91555161		CNEC XLR NCF3D-V EFD-3-Y1		NEUTRIK		1	U	15-Sep-97	00-XXX-00		
A11	110	T1001246		CNSC LX-DC6		JAE		1	U	15-Sep-97	00-XXX-00		
A19	110B	91645856		CNCT LX-C2-1-5000 [P.CT150-2-LX2B MSA.CT350-2B-LX]		JAE		6	U	16-Sep-97	00-XXX-00		
A12	111	99051638		RDEL 520301-80		NOMEL		2	U	15-Sep-97	00-XXX-00		
A13	112	99059912		ECRU H M3 U INOX A4 PASSIVE		TH-CSF BCN		2	U	15-Sep-97	00-XXX-00		
A29	113	T6000099		VIS F/90+ PHILLIPS M3X8 NOIR SPE47018469-022 INOX		BOSSARD		2	U	09-Mai-98	00-XXX-00	A	M
A15	114	91527641		BUCH DP187		HEYCO WERK		1	U	16-Sep-97	00-XXX-00		
A33	114B	91379651		JOIN 46 6031 QLE 6370001		SKEGA SKEL		1	U	19-Oct-98	00-XXX-00	D	A
A16	115	39965287		BOUTON VISEUR		TB		1	U	16-Sep-97	00-XXX-00		
A17	116	99097628		S/T HC BT PLAT M2,5X3 U CLASSE AFNOR 12.9 CD8B		AFNOR		1	U	16-Sep-97	00-XXX-00		
A23	117	T6000204		VIS F/90+ PHILLIPS M2.5X8 NOIR SPE47018469-022 INOX		BOSSARD		6	U	23-Sep-97	00-XXX-00		
A30	118	46152817AB		CALE BNC MIC INTERCOM		TBS		1	U	18-Jun-98	00-XXX-00	B	M
A32	203	46153283AA		PLIE MIC INTERCOM		TBS		1	U	19-Oct-98	00-XXX-00	D	A
A25	001	T9003666		CNXX PFD1C01+#22-75BNC-###D2-###				1	U	06-Oct-97	00-XXX-00		
A26	J	002		CNXX PFD1C01+#22-75BNC-###D2-###				1	U	06-Oct-97	00-XXX-00		
A27	J	003		CNXX PFD1C01+#22-75BNC-###D2-###				1	U	06-Oct-97	00-XXX-00		

DATE D'APPLICATION: 16-Dec-98 N O M E N C L A T U R E D E D E F I N I T I O N (un niveau) ENSEMBLE TRIAX LEMO
 CODE COMPOSE: 46153137AA REF COMPLEMENTAIRE: ENSEMBLE TRIAX LEMO
 EDITION: B NO MOD EDIT: 20-Oct-98
 CODE FAM/PROD : 3C PROPRIETAIRE:REN

NO SEQ	REPERE TOPO	NO ARTICLE	ED	DESIGNATION / REMARQUES	FABRICANT	QTE DU LIEN	UM	DATE DEPART	DATE CLOTURE	IND COD SEQ MOD	NO GOD	CODE FORME
A25	01	4A150410AA	A	CAPT TRIAX ADAPTOR	TBS	1	U	23-Oct-98	00-XXX-00	B	A	400 000
A01	02	46152760AA		LEMO 3T OU DAMAR TRIAX	TBS	1	U	16-Sep-97	00-XXX-00			400 000
A21	03	99052407		VIS F/90 M2 5X5 U INOX A4-50 PASSI	AFNOR	2	U	03-Mar-98	00-XXX-00	A	M	400 000
A04	05	99059911		ECRU H M2 5 U INOX A4 PASSIVE	TH-CSF BCN	2	U	16-Sep-97	00-XXX-00			400 000
A23	06	T6000099		VIS F/90+ PHILLIPS M3X8 NOIR	BOSSARD	4	U	09-Mar-98	00-XXX-00	A	M	400 000
A06	07	99051638		SPE47018469-022 INOX		4	U	16-Sep-97	00-XXX-00			400 000
A07	08	99059912		RDEL 520301-80	NOMEL	4	U	16-Sep-97	00-XXX-00			400 000
A08	09	T9000535		ECRU H M3 U INOX A4 PASSIVE	TH-CSF BCN	4	U	16-Sep-97	00-XXX-00			400 000
A09	10	T9003619		CNTX REC III TCX75-ULC	TB-BDC	1	U	16-Sep-97	00-XXX-00			400 000
A10	11	99002081		CNEC EMD#04+#Z#-ERNC-#####D2-### FIL 411-3210 D.0 8MM ETAME RECUIT	TH-CSF BCN	.2	M	16-Sep-97	00-XXX-00			400 000
A20	11B	91200575		ACHAT EN KG 222 M/KG		1	U	02-Mar-98	00-XXX-00		A	400 000
A22	12	46152933AB	A	COSS 519	MFOEM	1	U	03-Mar-98	00-XXX-00		M	400 000
A13	13	46152762AA		CABL %%CAPOT DE BLINDAGE TRIAX	TBS	1	U	16-Sep-97	00-XXX-00	A		400 000
A14	14	91276067		PFIL 10461-6161	TBS	1	U	16-Sep-97	00-XXX-00			400 000
A15	15	99052408		VIS F/90 M2 5X6/6 U INOX A4 PASS.	KALKER	2	U	16-Sep-97	00-XXX-00			400 000
A16	16	46152763AA		BLINDAGE SUPERIEUR DU TRIAX	TH-CSF BCN	1	U	16-Sep-97	00-XXX-00			400 000
A16	16B	91536712		RUBN PPI1710 LARG.70 ADHESIF EXCLUSIF AU 29293042	TBS	.1	M	16-Sep-97	00-XXX-00			400 000
A17	17	99060919		VIS C M2 5X6/6 U INOX A4 PASS.	TH-CSF BCN	6	U	16-Sep-97	00-XXX-00			400 000
A18	18	91280718		RDEL 520251-80	NOMEL	6	U	16-Sep-97	00-XXX-00			400 000
A24	205	46153285AA		CABL PLIE TRIAX	TBS	1	U	20-Oct-98	00-XXX-00	B	A	380 000

DATE D'APPLICATION: 16-Dec-98 N O M E N C L A T U R E D E D E F I N I T I O N (un niveau)

CODE COMPOSE: 46153284AA DESIGNATION: KIT DE MONTAGE MECANIQUE

EDITION: REF COMPLEMENTAIRE: NO MOD EDIT: DATE MODIF EDIT: 20-Oct-98

CODE FAW/PROD : 3C PROPRIETAIRE:DPB

NO SEQ	REPERE TOPO	NO ARTICLE	ED	DESIGNATION / REMARQUES	FABRICANT	QTE DU LIEN	UM	DATE DEPART	DATE CLOTURE	IND COD MOD	SEQ OPE	NO GOD	CODE FORME
A01	01	46152883AA	C	PORTE GAUCHE EQUIPEE	TBS	1	U	14-Oct-98	00-XXX-00		380	000	
A02	02	46152884AA	B	PORTE DROITE EQUIPEE	TBS	1	U	14-Oct-98	00-XXX-00		380	000	
A03	051	46152795AA		PROTECTION ARRIERE BASSE	TBS	1	U	14-Oct-98	00-XXX-00		380	000	
A04	052	T9004271		RIVT SR3570 NYLON D/E:3,5/7,1 NOIR		3	U	14-Oct-98	00-XXX-00		002	000	
A05	050	T60000096		VIS F/90+ PHILLIPS M2.5X6 NOIR	BOSSARD	11	U	14-Oct-98	00-XXX-00		380	000	
A06	061	T60000016		SPE47018469-022 INOX	SDS	4	U	14-Oct-98	00-XXX-00		380	000	
A07	210	T10033312		VIS CHC M4X16 INOX A2-70 NOIR SP39960411 ETIQ 40X15MM POLYESTER 1 DE FRONT 2,68MM ECHENILLAGE	PUBADRESSE	1	U	14-Oct-98	00-XXX-00		380	000	

DATE D'APPLICATION: 16-Dec-98 N O M E N C L A T U R E D E D E F I N I T I O N (un niveau)

CODE COMPOSE: 47018056 DESIGNATION: KIT2 CABL ET MECA BLOC ANALYSE 1657
 EDITION: O REF COMPLEMENTAIRE: NO MOD EDIT: 06 DATE MODIF EDIT: 07-Apr-97
 CODE FAW/PROD : 3A PROPRIETAIRE:DPB

NO SEQ	REPERE TOPO	NO ARTICLE	ED	DESIGNATION /REMARQUES	FABRICANT	QTE DU LIEN	UM	DATE DEPART	DATE CLOTURE	IND COD MOD	SEQ OPE	NO GOD	CODE FORME
A40		91464566		RUBN BUTTERTON 29 LONG 7M	BARNIER	.5	M	07-Mar-97	00-XXX-00	N	A	400	000
A35		T1003023		FILT TF332A (FILTRE OPTIQUE) 410A7783750/MC1152S	FUJI	1	U	03-May-95	00-XXX-00	J	A	400	000
A04	09	47018041		FACE AVANT	TB	3	U	01-Oct-93	00-XXX-00			400	000
A34	10	3A965347		MOUSSE FACE AVANT SEPARATEUR	TB	1	U	14-Apr-95	00-XXX-00	I	A	400	000
A23	11	39965404		JOIN ALTIOSKIN ASSH04944	TB	1	U	09-Nov-93	00-XXX-00	C	A	400	000
A41	12	T9003783		PINCE CABLE	TB	.5	U	07-Apr-97	00-XXX-00	O	A	400	000
A07	13	39965309		VIS F790 M2X6 U INOX ZINGUE NOIR	TB	2	U	01-Oct-93	00-XXX-00			400	000
A08	14	T9000452		LEVIR	TB-BDC	2	U	01-Oct-93	00-XXX-00			400	000
A36	15	39965828		SUPPORT ENTRETROISE	TB	1	U	29-May-95	00-XXX-00	K	A	400	000
A13	20	39964720		FILT 410A4746120 GLASS SPACER	FUJI	1	U	01-Oct-93	00-XXX-00			400	000
A01	A	T6000059		SPE 39961646	FUJI	6	U	01-Oct-93	00-XXX-00	L	M	400	000
A28	V	T6000083		VIS CHC M3X5 INOX A2-70 NOIR	SDS	4	U	14-Dec-93	00-XXX-00	E	A	400	000
A16	V	99060923		SP39960411	TH-CSF BCN	7	U	01-Oct-93	00-XXX-00	E	M	400	000
A17	V	99051638		VIS C M3X6/6 U INOX.A4 PASS.	NOMEL	7	U	01-Oct-93	00-XXX-00	E	M	400	000
A32	V	99071509		RDEL 520301-80	TH-CSF BCN	9	U	05-Jul-94	00-XXX-00	G	M	400	000
A27	V	91280717		VIS C M2X3/3 U INOX.A4 PASS. 60KG DOC 20702007	NOMEL	9	U	19-Nov-93	00-XXX-00	D	A	400	000
A37	VIS	91221430		RDEL 520201-80	MFOEM	1	U	13-Mar-96	00-XXX-00	M	A	400	000
A38	VIS	99071509		COSS 519C	TH-CSF BCN	1	U	13-Mar-96	00-XXX-00	M	A	400	000
A39	VIS	91280717		VIS C M2X3/3 U INOX.A4 PASS. 60KG DOC 20702007	NOMEL	1	U	13-Mar-96	00-XXX-00	M	A	400	000
				RDEL 520201-80									

FIN DE L'ETAT